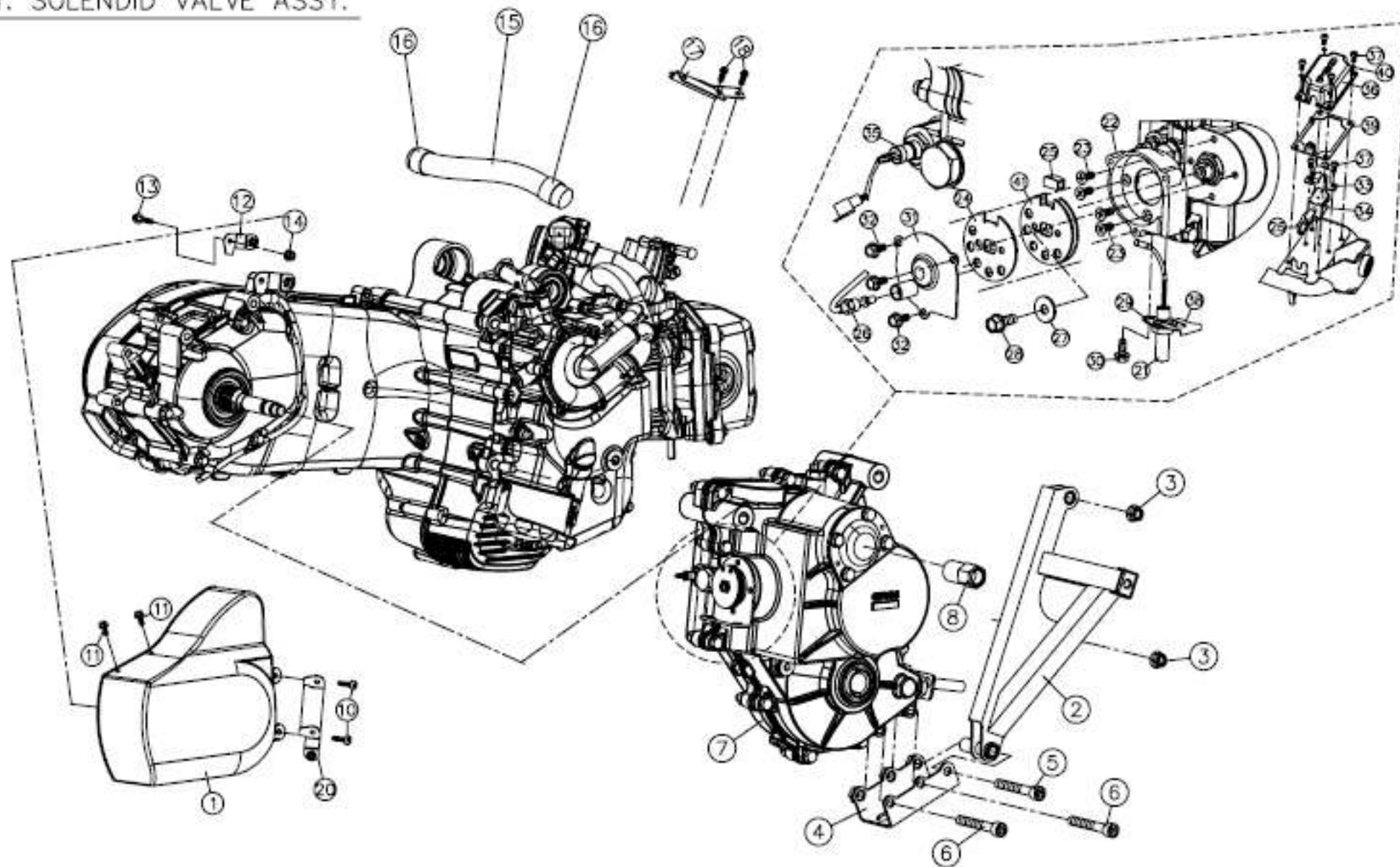
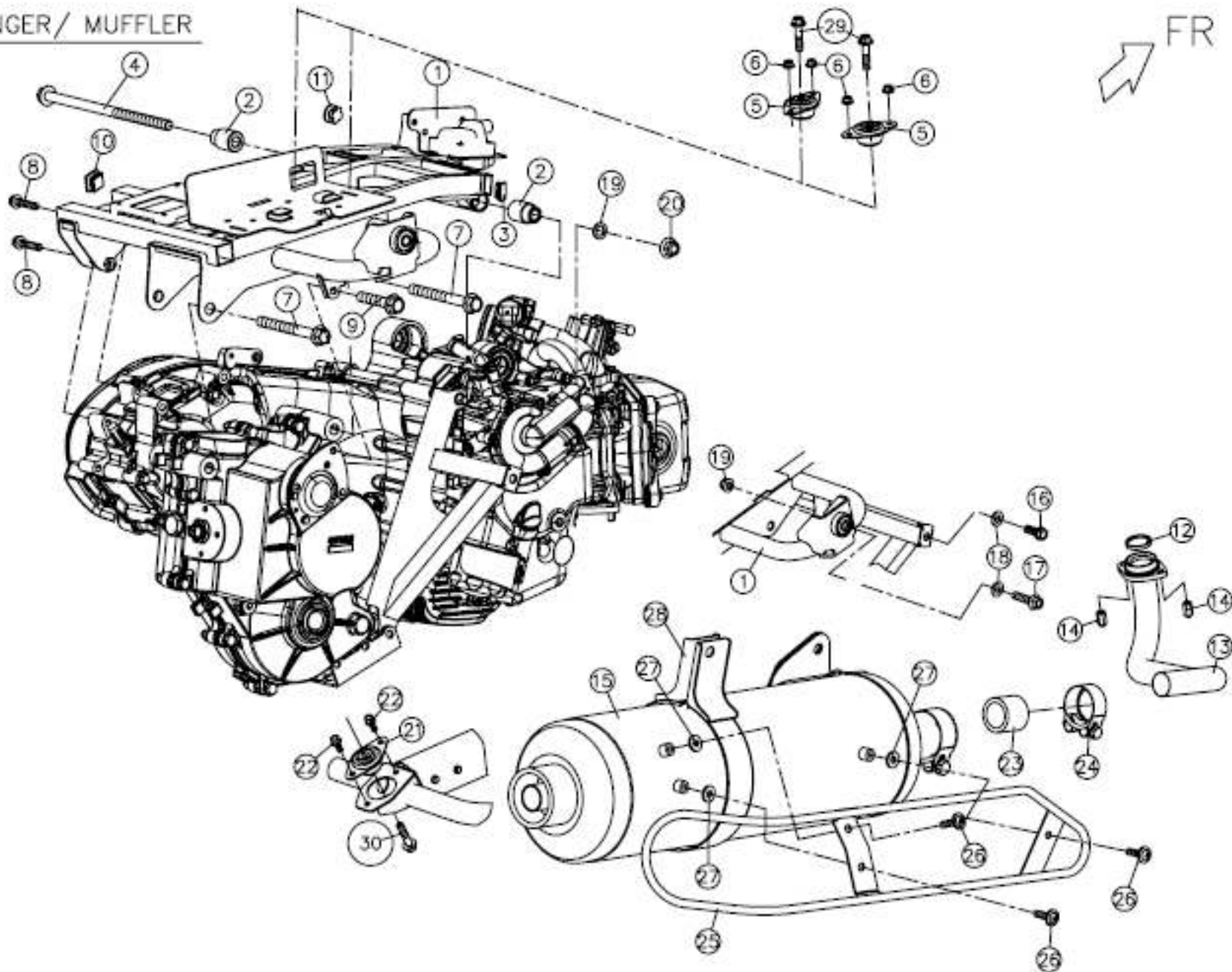


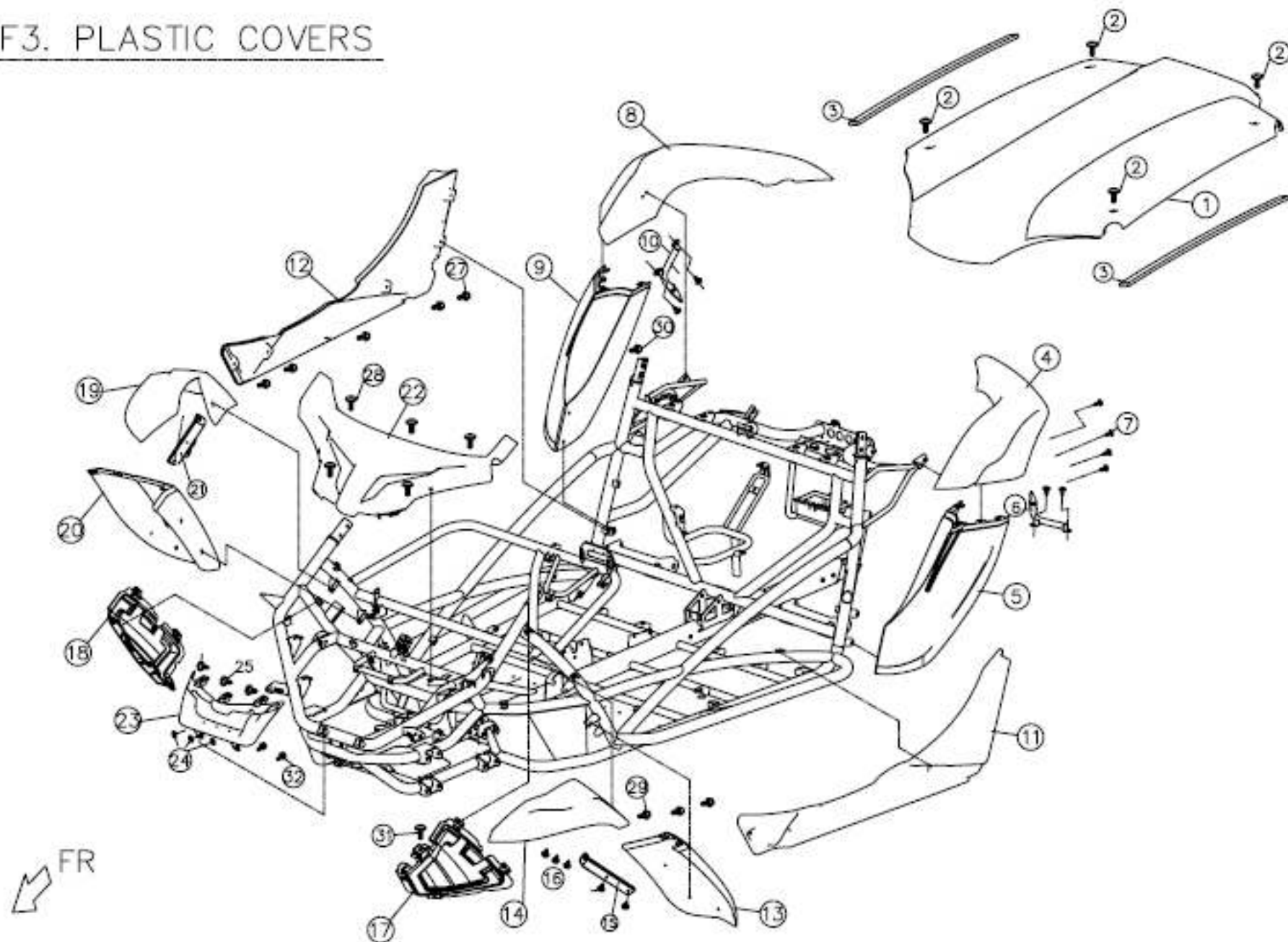
F1. SOLENDID VALVE ASSY.



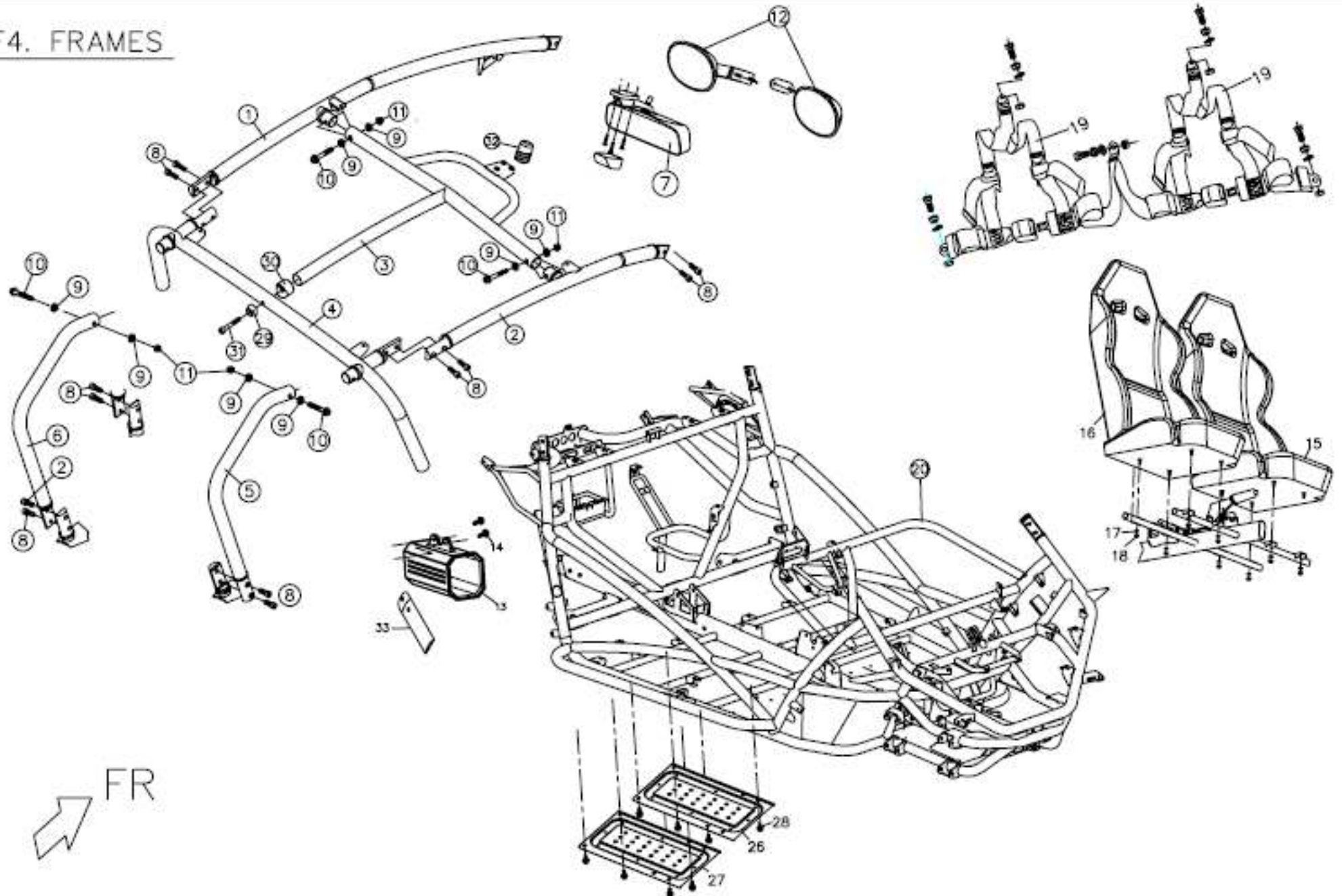
F2. ENGINE HANGER/ MUFFLER



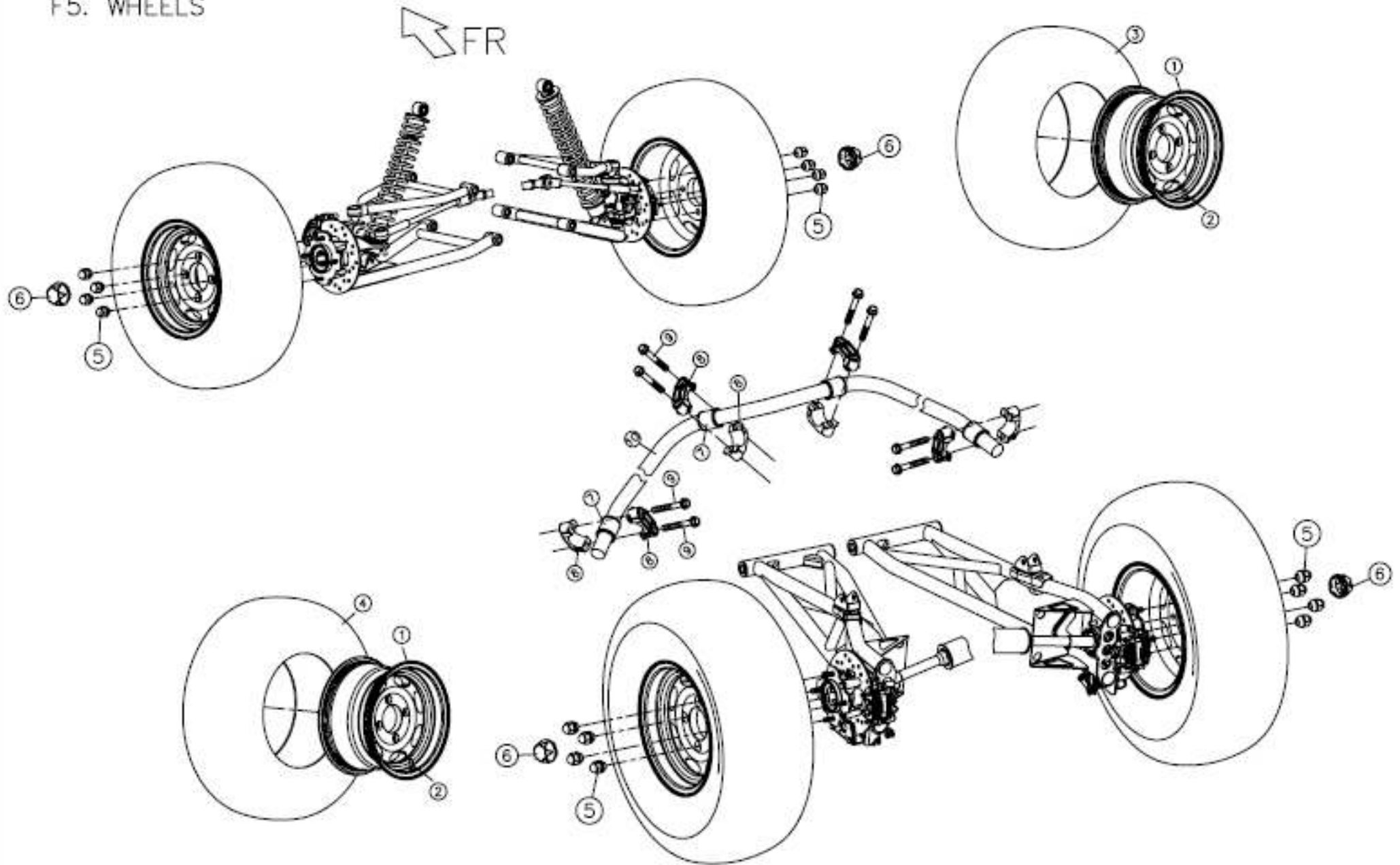
F3. PLASTIC COVERS



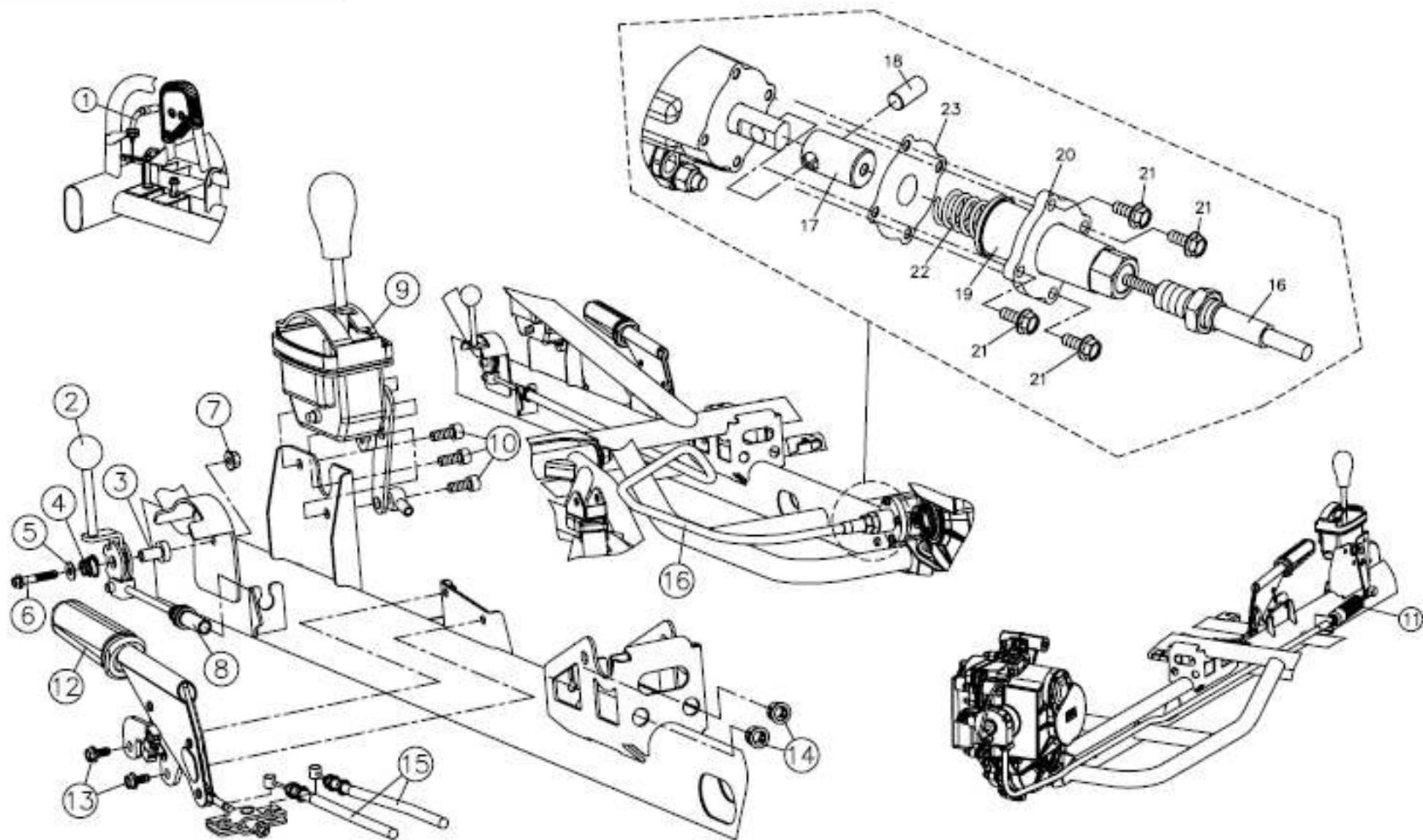
F4. FRAMES



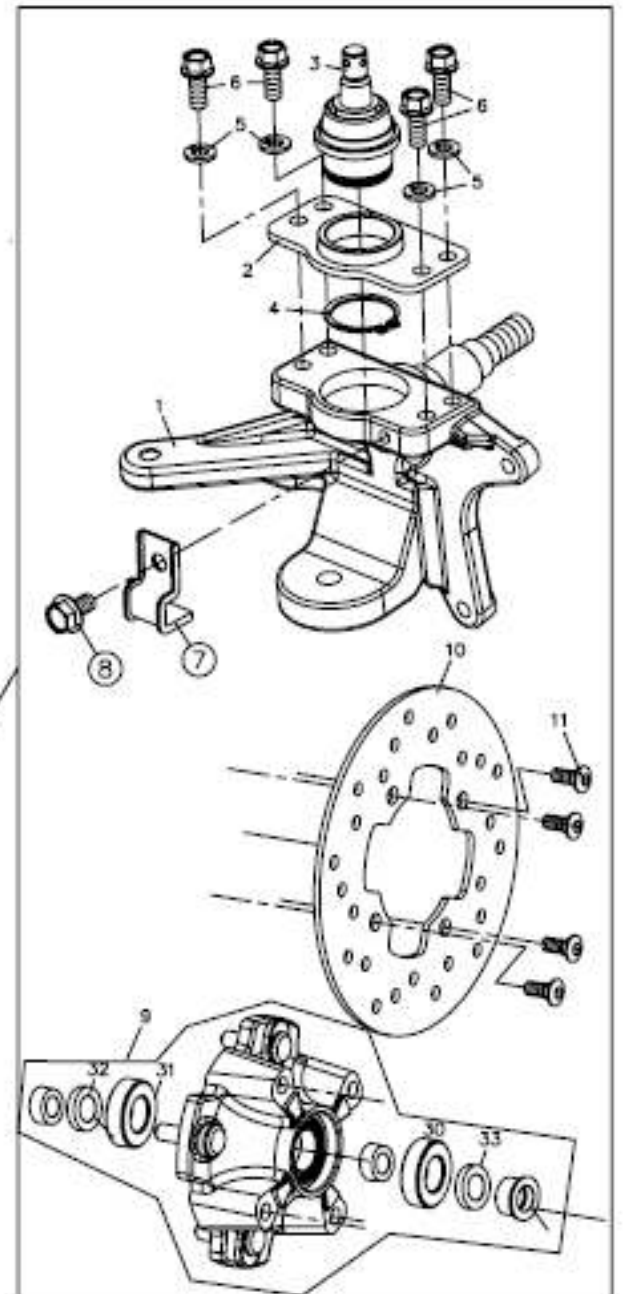
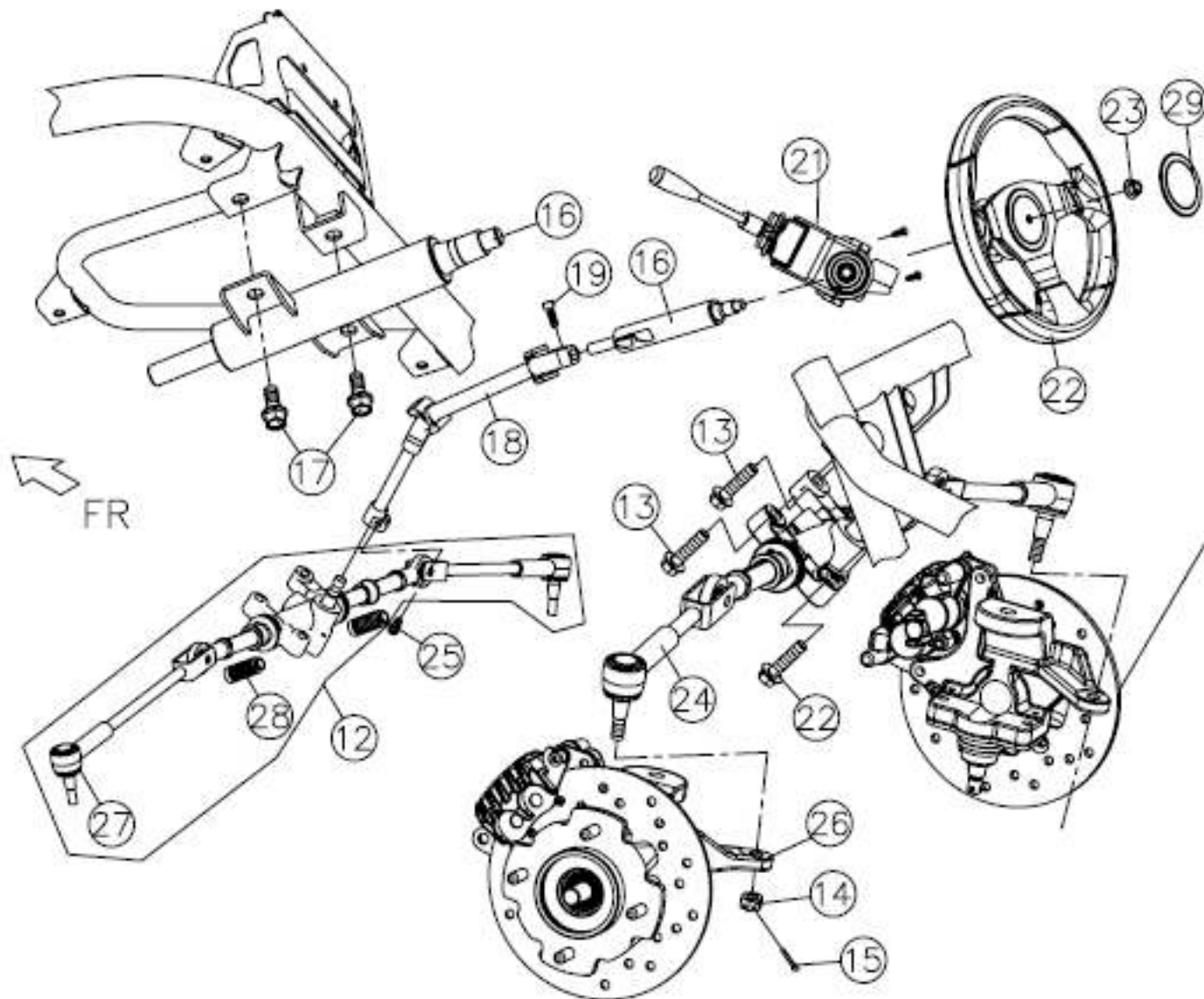
F5. WHEELS



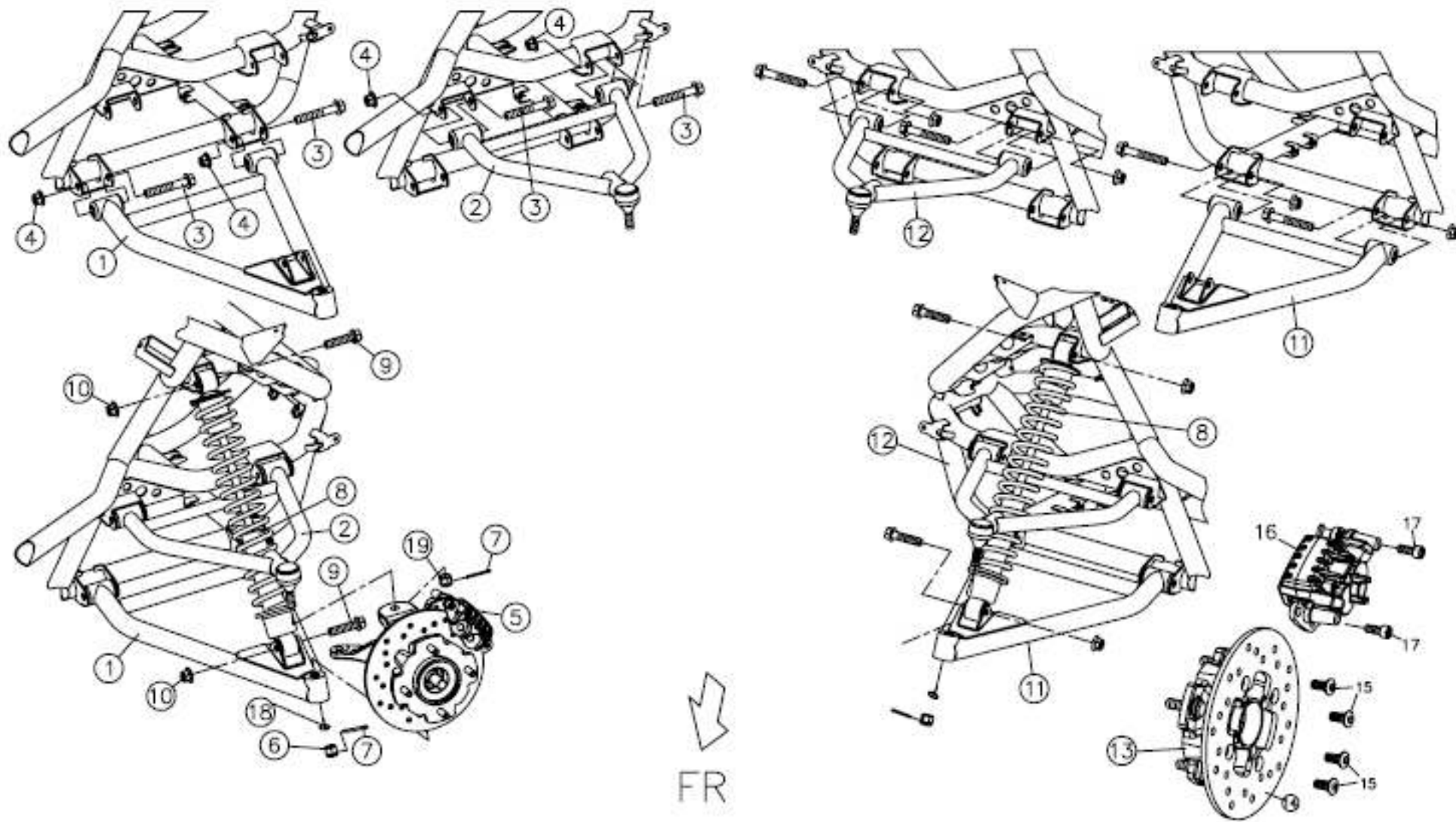
F6. CONTROL CABLES



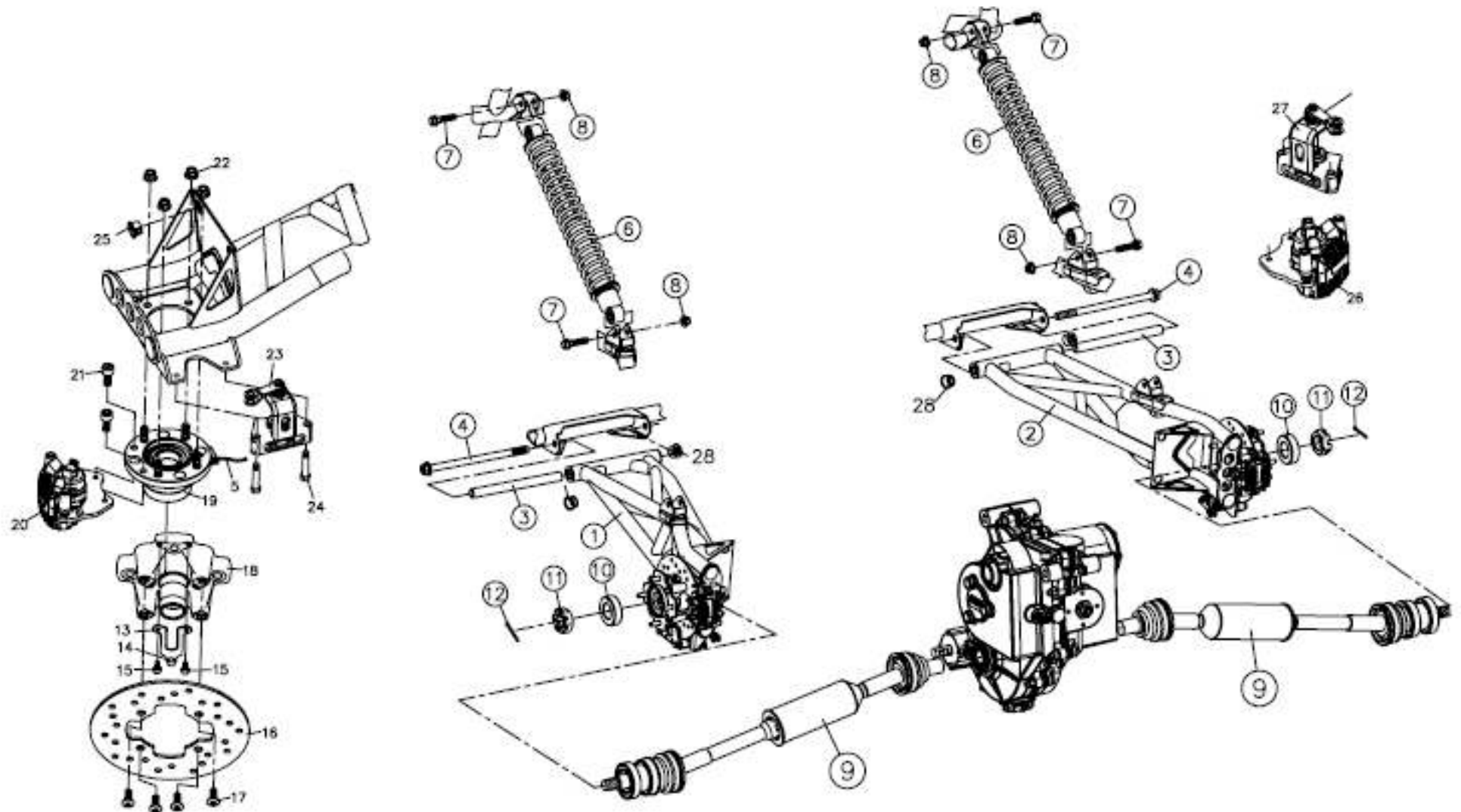
F8. STEERING MECHANISM



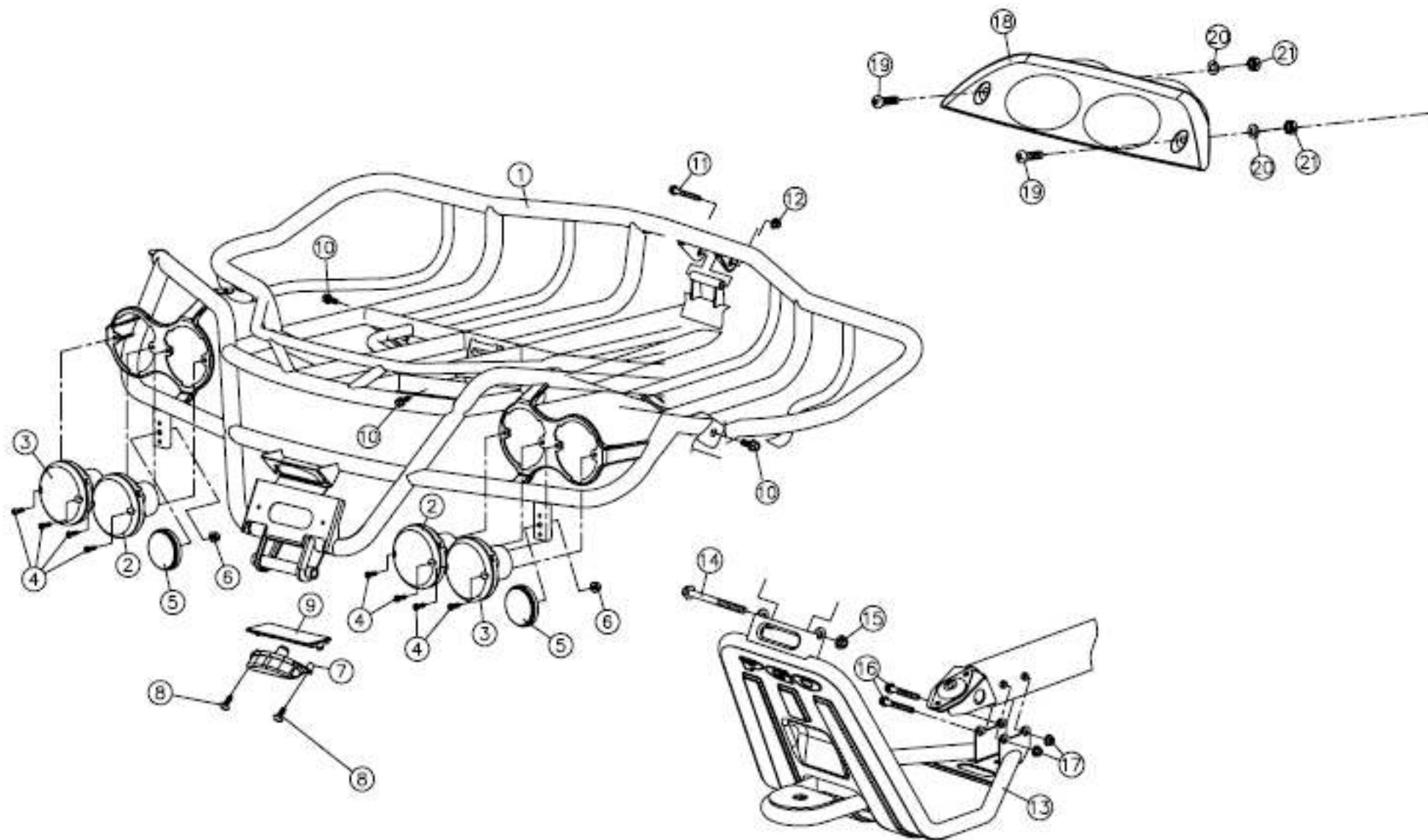
F9. SWING A ARMS



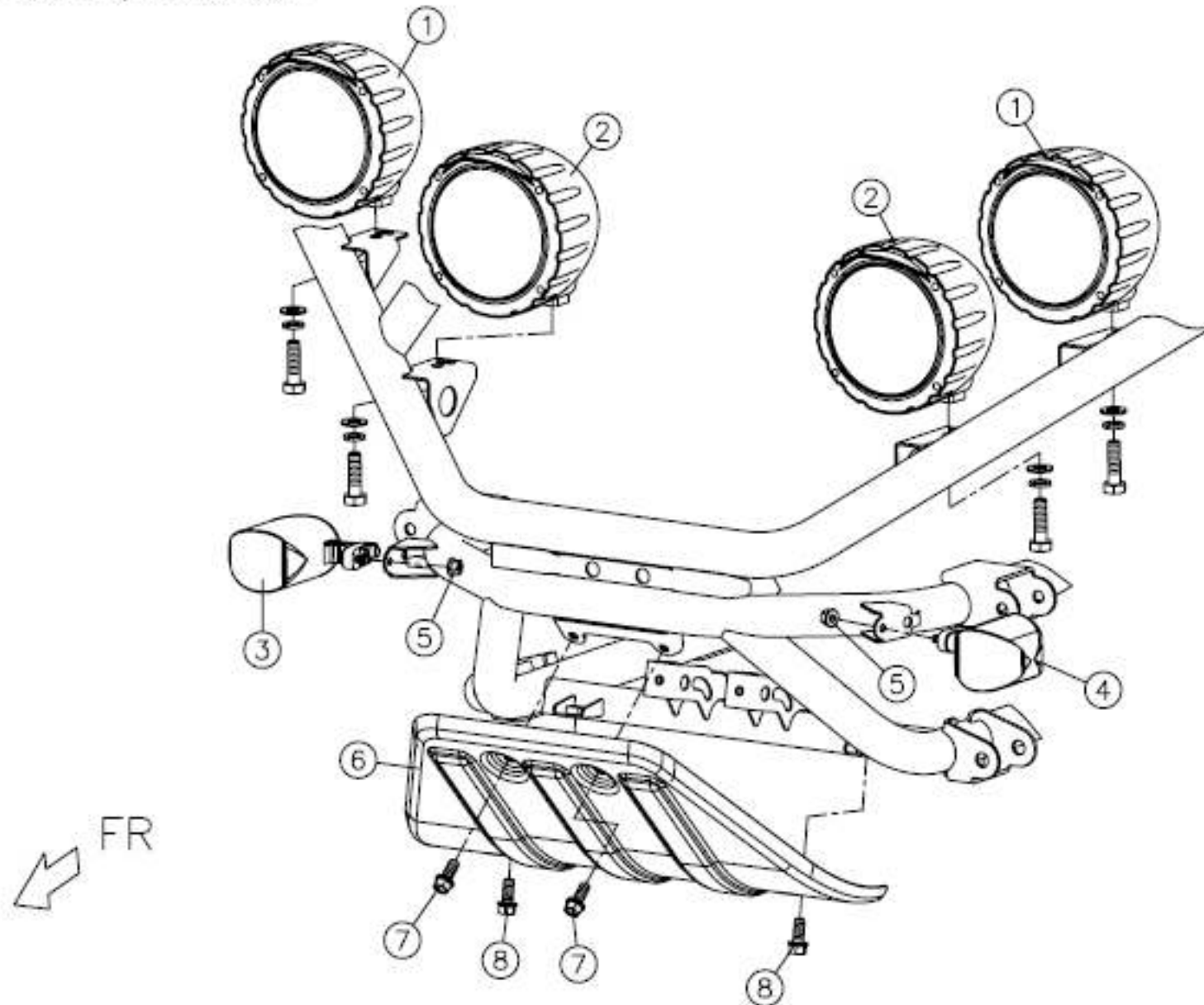
F10. DRIVING SHAFT, ABSORBER



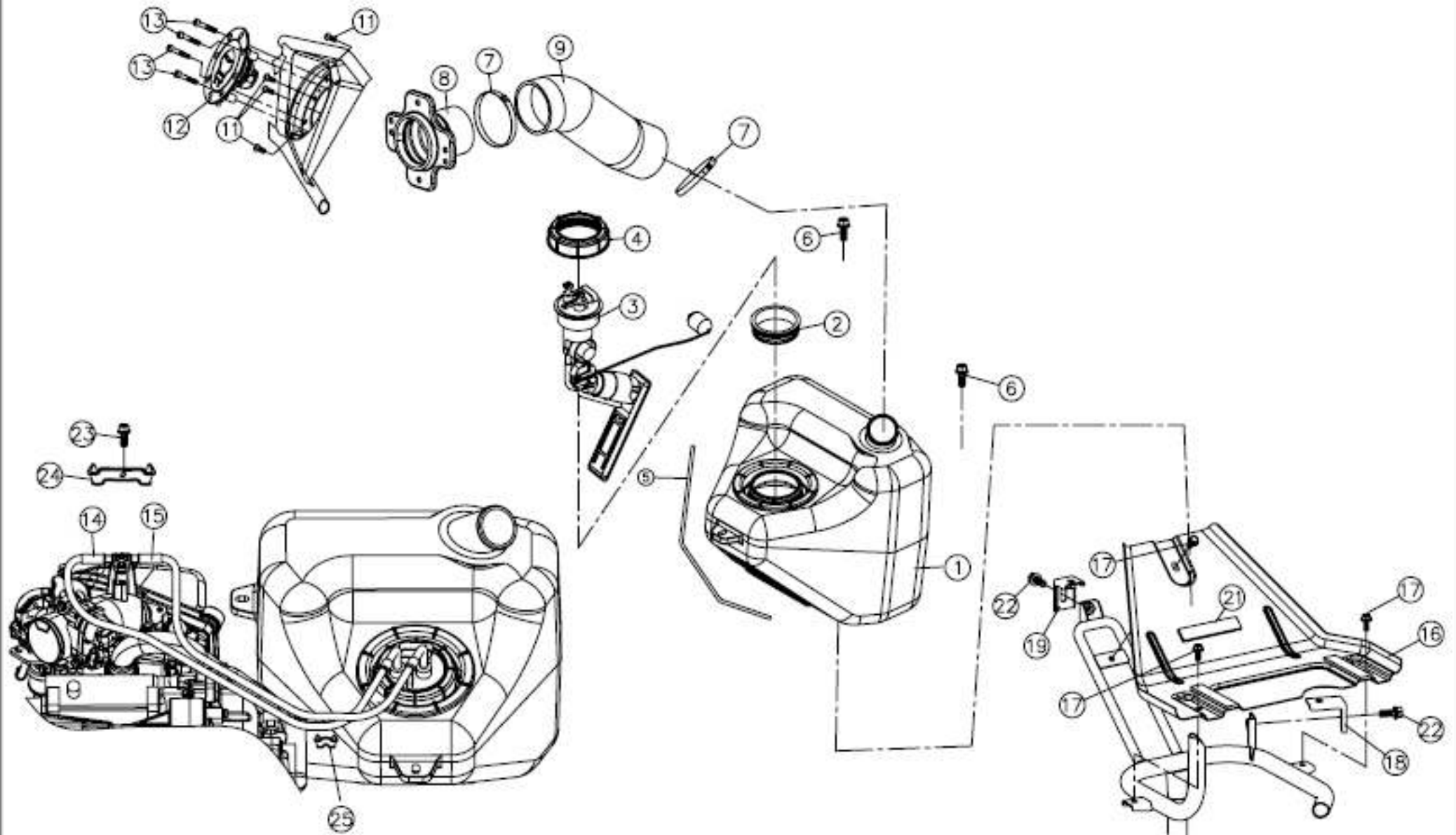
F11. REAR RACK



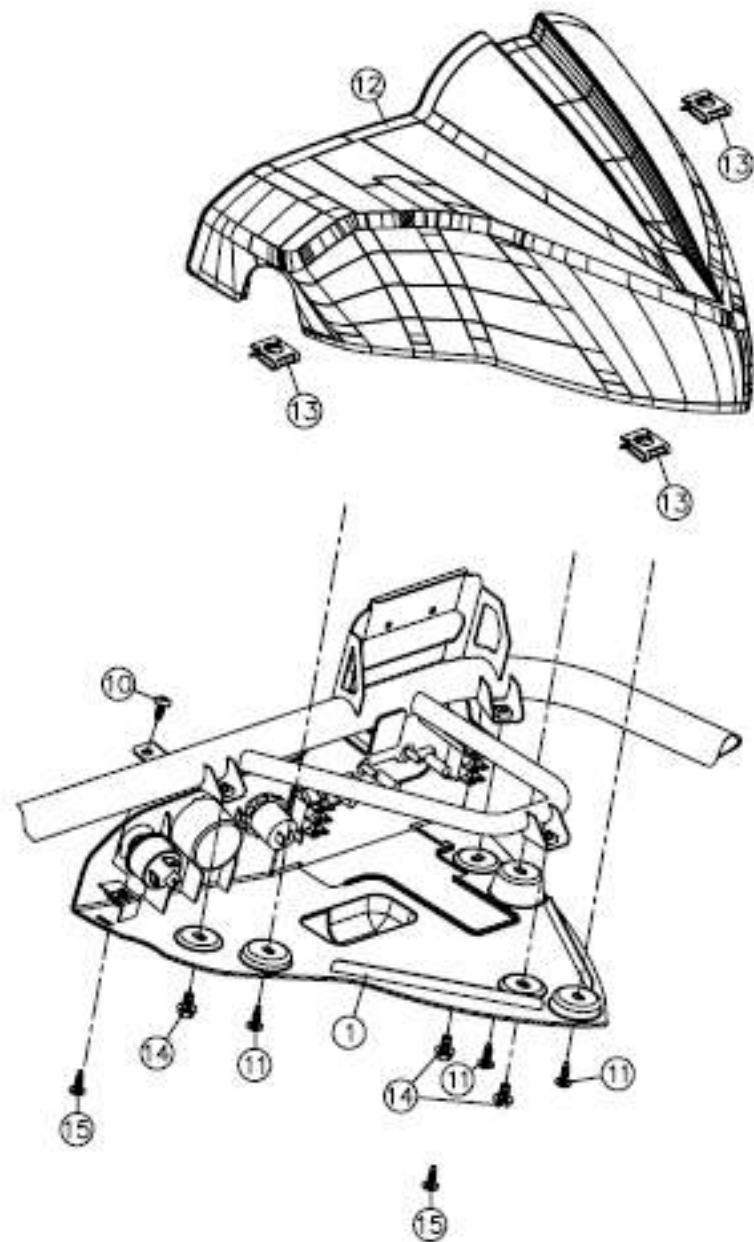
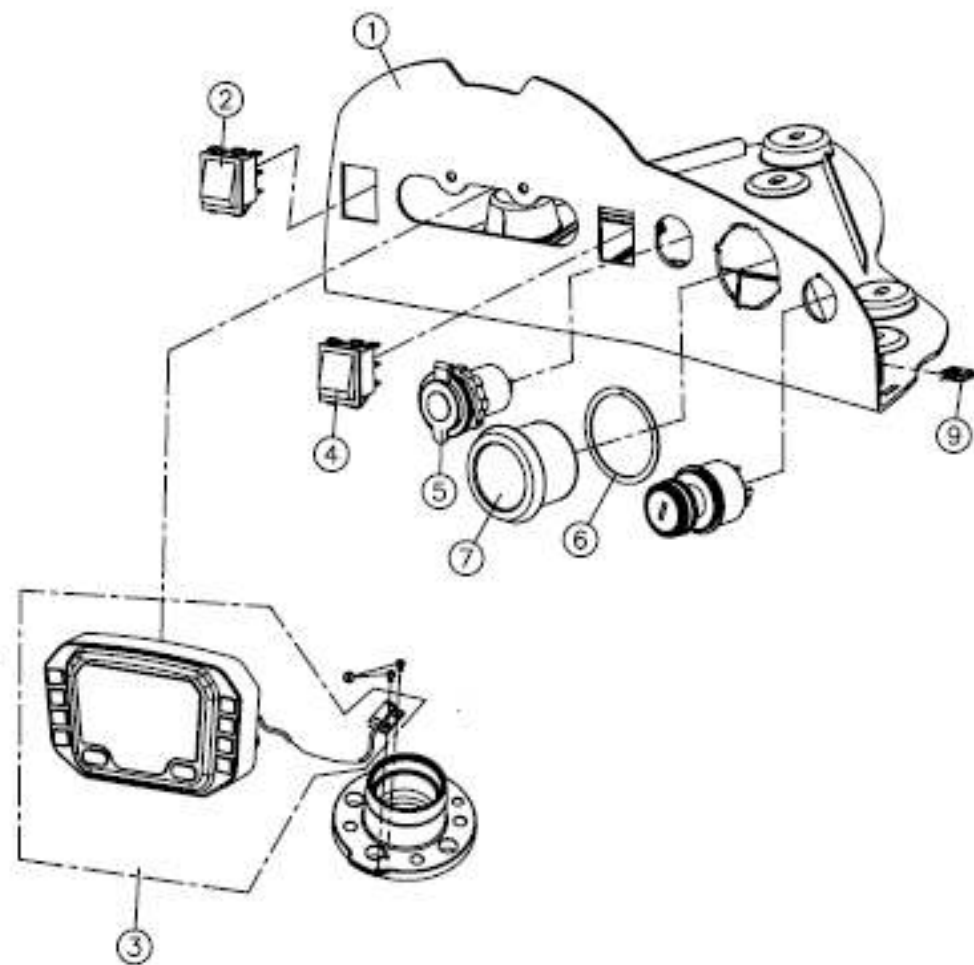
F12. FRONT BUMPER, HEAD LAMP



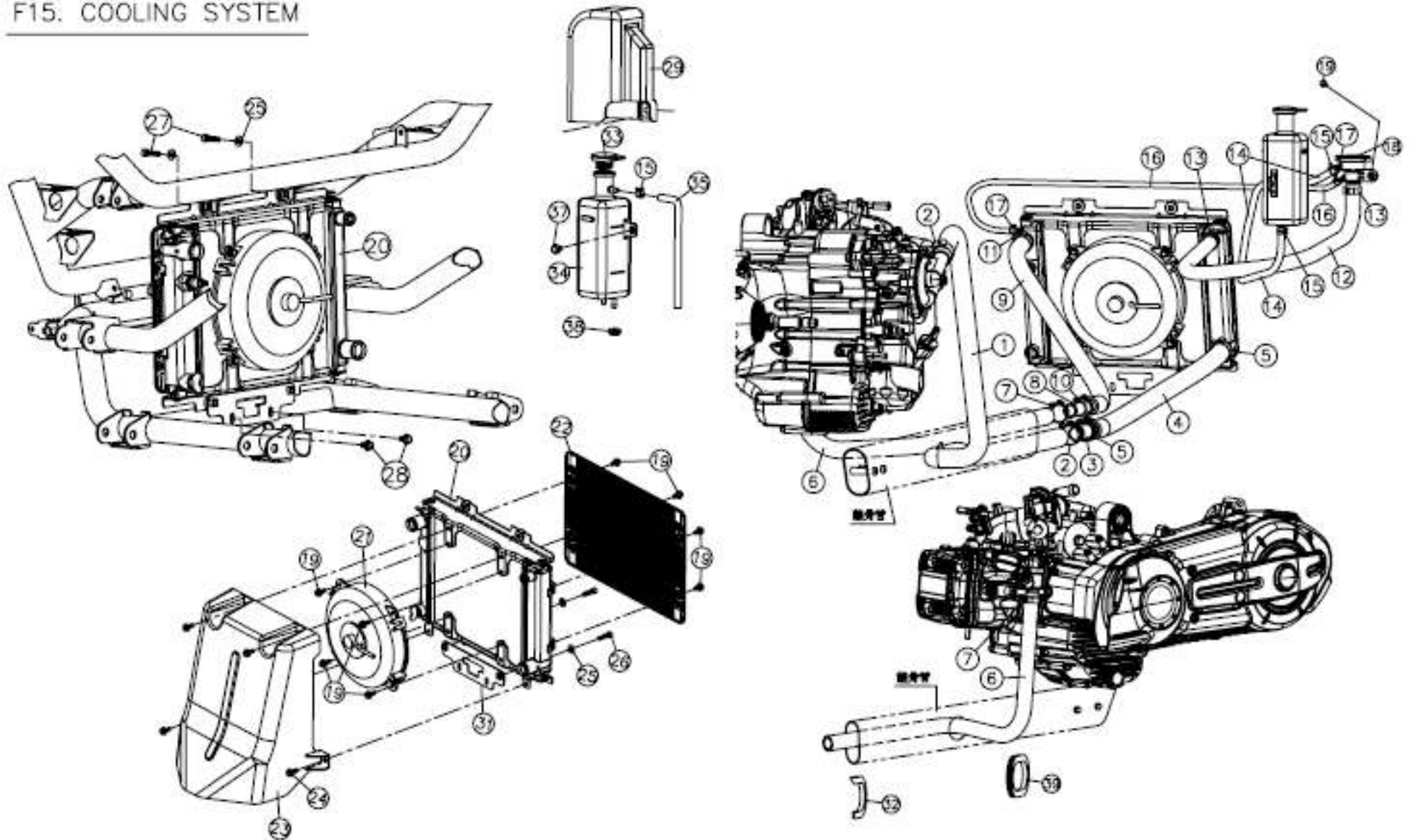
F13. FUEL TANK, PUMP



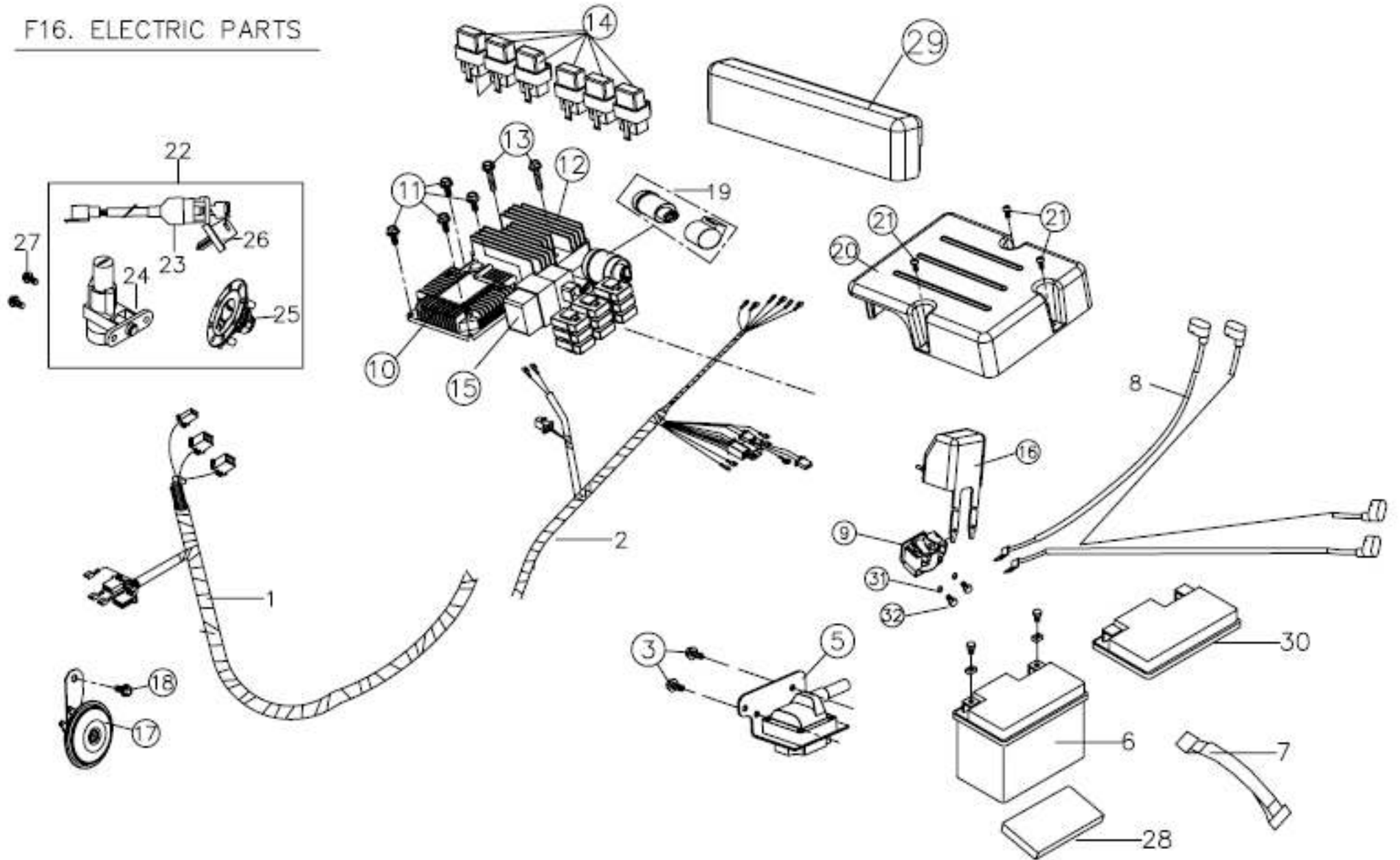
F14. DASHBOARD , COVER



F15. COOLING SYSTEM



F16. ELECTRIC PARTS



BR-500 LABELS



1



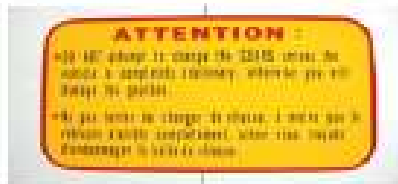
2



3



4



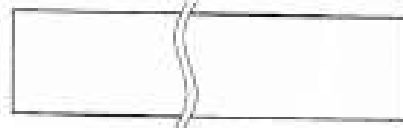
5



6



7



8



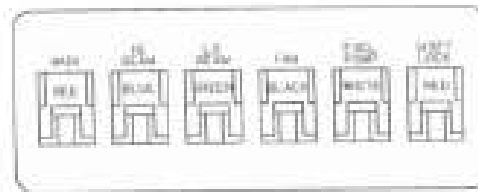
9



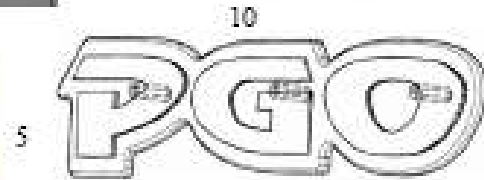
11



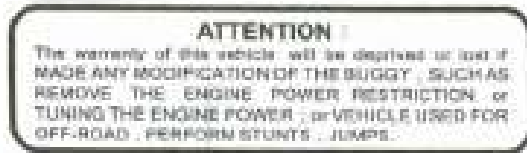
10



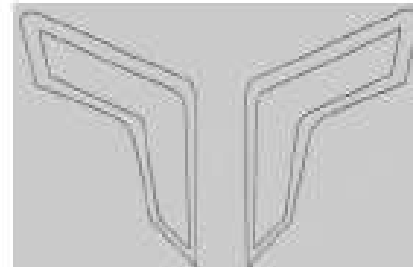
12



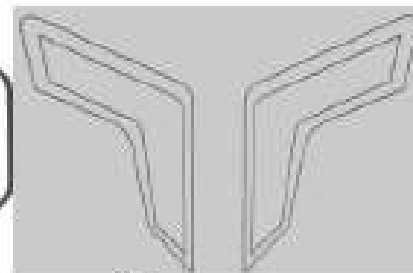
13



14



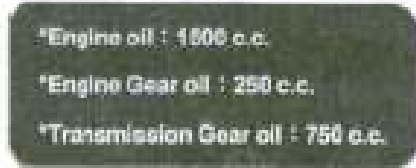
15



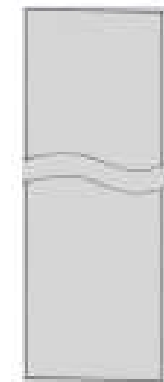
16



17



18



19



20



21