

2014 ARCTIC CAT® ILLUSTRATED PARTS MANUAL



400 2x4 EFT

Model Number A2014IRG2BETR
Model Number A2014IRG2BETG

ARCTIC CAT®
SHARE OUR PASSION™

www.arcticcat.com

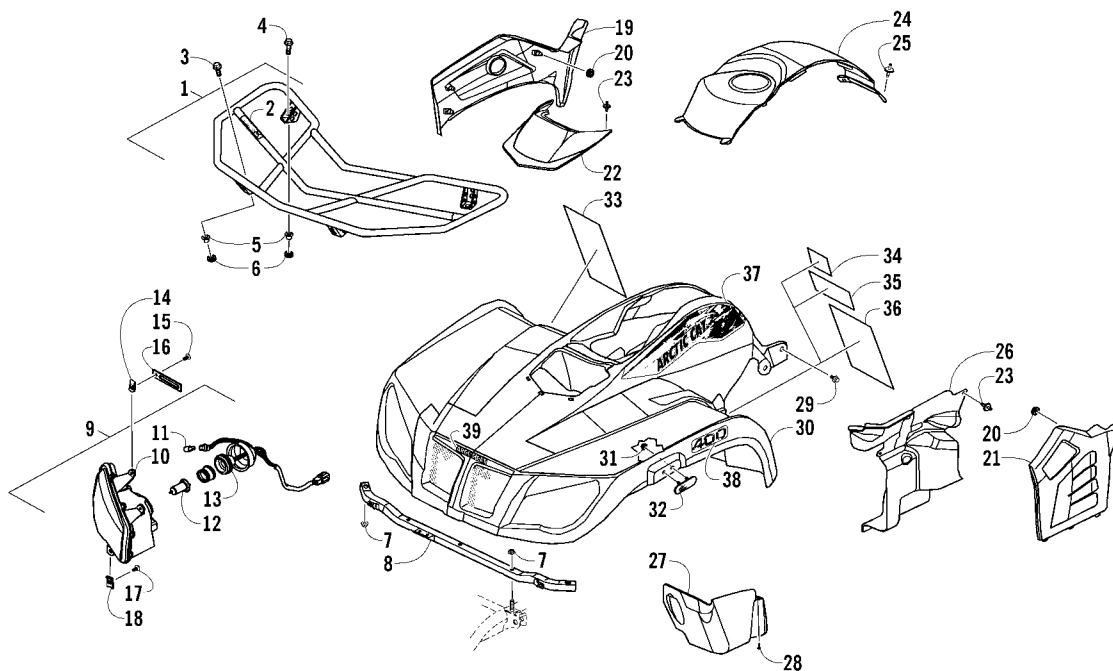
TABLE OF CONTENTS

2014 400 2x4 EFT

(Model No. A2014IRG2BETR) (Model No. A2014IRG2BETG)

FRONT RACK, BODY PANEL, AND HEADLIGHT ASSEMBLIES	1
REAR BODY, RACK, AND TAILLIGHT ASSEMBLY	2
FRAME AND RELATED PARTS	3
WINCH ASSEMBLY	4
LICENSE PLATE HOLDER ASSEMBLY	5
SEAT ASSEMBLY	6
STEERING ASSEMBLY	7
HANDLEBAR ASSEMBLY	8
INSTRUMENT POD ASSEMBLY	9
FRONT SUSPENSION ASSEMBLY	10
REAR SUSPENSION ASSEMBLY	11
WHEEL AND TIRE ASSEMBLY	12
HYDRAULIC BRAKE ASSEMBLY	13
PARKING BRAKE ASSEMBLY	14
GAS TANK ASSEMBLY	15
SHIFT LEVER ASSEMBLY	16
AIR INTAKE ASSEMBLY	17
ENGINE AND EXHAUST	18
OIL COOLER ASSEMBLY	19
CASE/BELT COOLING ASSEMBLY	20
DRIVE TRAIN ASSEMBLY	21
REAR DRIVE GEARCASE ASSEMBLY	22
WIRING HARNESS ASSEMBLY	23
BATTERY AND STARTER ASSEMBLY	24
CARBURETOR	25
CYLINDER ASSEMBLY	26
CYLINDER HEAD AND CAMSHAFT/VALVE ASSEMBLY	27
REED VALVE ASSEMBLY	28
CAM CHAIN ASSEMBLY	29
CRANKCASE ASSEMBLY	30
CRANKSHAFT AND PISTON ASSEMBLY	31
CLUTCH/V-BELT/MAGNETO COVER ASSEMBLY	32
STARTER CLUTCH ASSEMBLY	33
CRANK BALANCER ASSEMBLY	34
OIL PUMP AND STRAINER ASSEMBLY	35
TRANSMISSION ASSEMBLY	36
SECONDARY TRANSMISSION ASSEMBLY	37
GEAR SHIFTING ASSEMBLY	38
SECONDARY DRIVE ASSEMBLY	39
MAGNETO ASSEMBLY	40

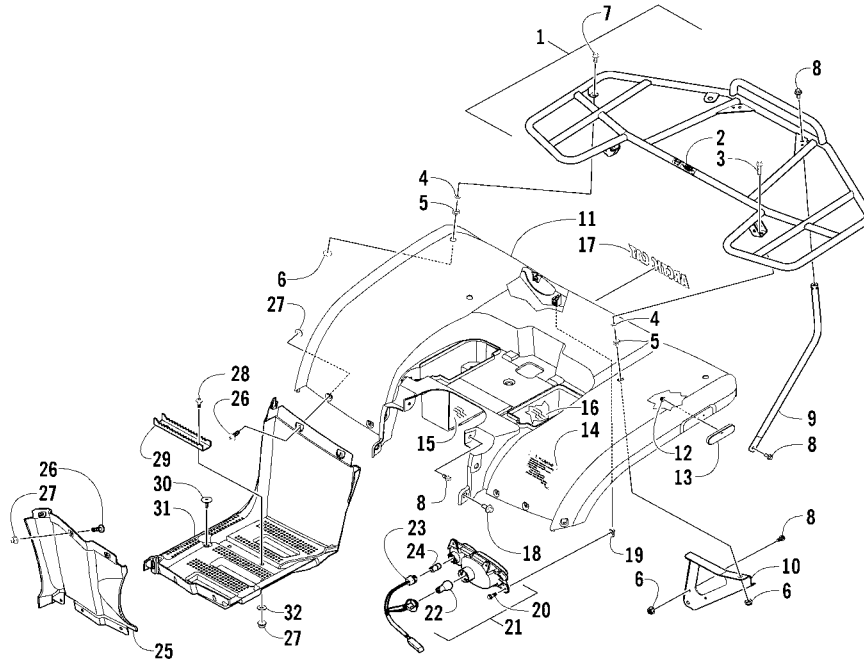
■ **NOTE:** The illustrations used in this Parts Manual are for reference to replacement part numbers only and are not to be used for assembly. For assembly procedures, use an Arctic Cat Service Manual. For a complete list of related items, refer to the current accessory catalog.



FRONT RACK, BODY PANEL, AND HEADLIGHT ASSEMBLIES

0747-984

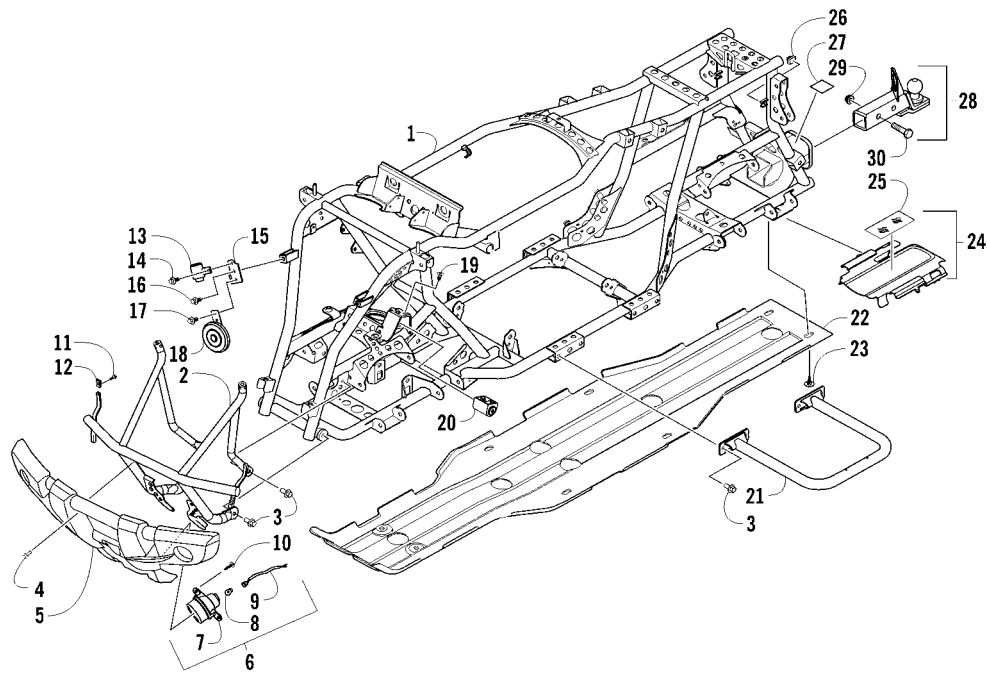
Ref	Part No.	New Qty	Description	Ref	Part No.	New Qty	Description
1	3306-330	1	Rack, Front - Assembly (inc. 2)	23	3303-592	4	Clip, Retaining
2	1411-681	1	● Decal, Warning - Load	24	3306-280	1	Cover, Gas Tank - Red (2BETR)
3	3313-713	2	Screw, Cap		3306-397	1	Cover, Gas Tank - Green (2BETG)
4	3313-522	2	Screw, Cap	25	3304-057	2	Clip, Retaining
5	0423-669	4	Spacer	26	3313-756	1	Panel, Splash - Front Right
6	0423-465	4	Grommet		3313-861	1	Panel, Splash - Front Left
7	3304-668	4	Nut, Lock	27	3313-754	1	Shield, Linkage
8	3313-469	1	Tube, Mounting	28	3304-650	3	Screw, Self-Tapping
9	3306-268	1	Headlight - Assembly - Right (inc. 10-13)	29	3305-783	2	Screw, Cap
	3306-269	1	Headlight - Assembly - Left (inc. 10-13)	30	3306-283	1	Panel, Fender - Front - Red (2BETR)
10	3306-270	1	● Lens, Headlight - Right		3306-400	1	Panel, Fender - Front - Green (2BETG)
	3306-271	1	● Lens, Headlight - Left	31	3304-774	2	Nut, Lock
11	3303-847	2	● Bulb	32	3313-359	2	Reflector - Amber
12	3303-846	2	● Bulb, Headlight	33	1411-250	1	Decal, Warning - Reverse/Pre-Ride
13	3306-272	2	● Socket, Headlight - Assembly	34	0411-835	1	Decal, Warning - Turn/Hill
14	3304-061	4	Clip, U-Nut	35	1411-804	1	Decal, Warning - Age
15	3304-029	4	Screw, Cap	36	3304-806	1	Decal, Warning - General
16	3304-157	2	Clamp, Routing	37	3411-406	X 1	Decal, Side - Upper Right (2BETR)
17	3304-586	2	Screw, Cap		3411-407	X 1	Decal, Side - Upper Left (2BETR)
18	3303-267	2	Clip, U-Nut		3411-492	X 1	Decal, Side - Upper Right (2BETG)
19	3313-752	1	Panel, Side - Lower - Right		3411-493	X 1	Decal, Side - Upper Left (2BETG)
20	0423-678	10	Grommet	38	3411-540	X 2	Decal, "400" (2BETR)
21	3313-753	1	Panel, Side - Lower - Left		3411-612	X 2	Decal, "400" (2BETG)
22	3306-404	1	Cover, Access - Black	39	2411-465	1	Decal, "Arctic Cat"



REAR BODY, RACK, AND TAILLIGHT ASSEMBLY

0747-986

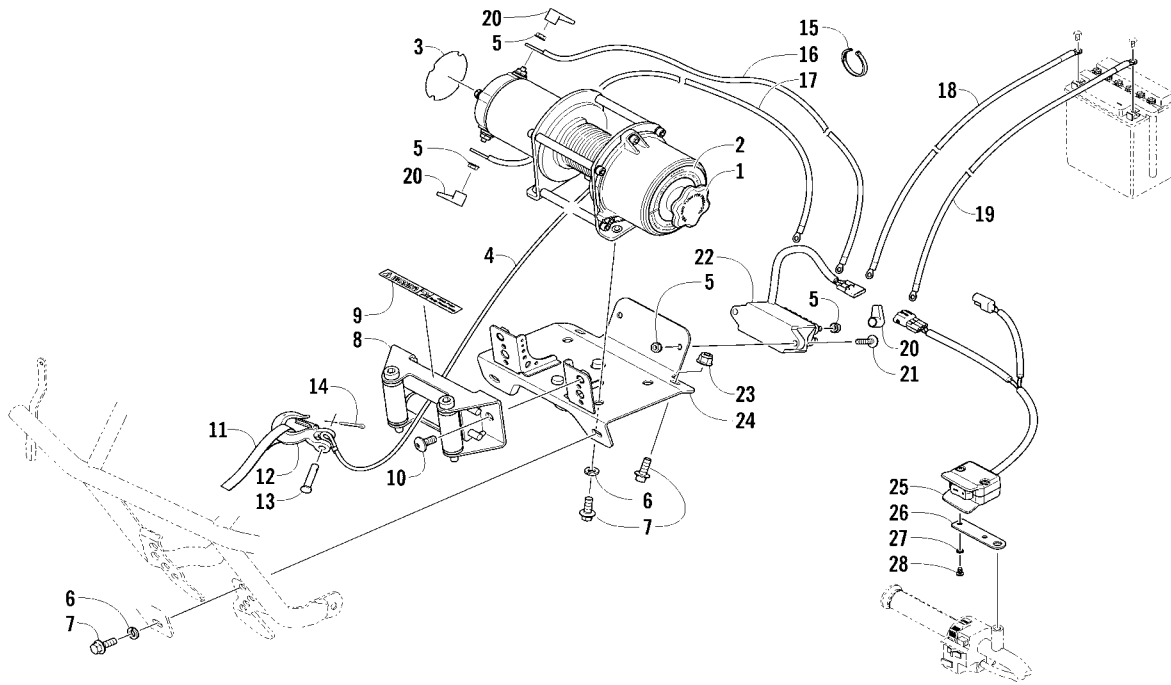
Ref	Part No.	New	Qty	Description	Ref	Part No.	New	Qty	Description
1	3306-759		1	Rack, Rear - Assembly (inc. 2)	18	3305-783		2	Screw, Cap
2	1411-682		1	● Decal, Warning - Load	19	3304-061		8	Clip, U-Nut
3	8410-830		2	Screw, Cap	20	3304-029		8	Screw, Cap
4	0423-669		4	Spacer	21	3313-392		1	Taillight Assembly - Right (inc. 22-24)
5	0423-465		4	Grommet		3313-393		1	Taillight Assembly - Left (inc. 22-24)
6	3304-668		8	Nut, Lock	22	3313-506		2	● Bulb
7	3313-522		2	Screw, Cap	23	3313-509		1	● Socket, Taillight - Assembly - Right
8	3304-543		8	Screw, Cap		3313-507		1	● Socket, Taillight - Assembly - Left
9	3313-449		2	Tube, Mounting	24	3303-849		2	● Bulb, Taillight
10	3313-352		1	Bracket, Mounting - Rear Rack - Right	25	3313-760		1	Footwell - Front - Right
	3313-353		1	Bracket, Mounting - Rear Rack - Left		3313-761		1	Footwell - Front - Left
11	3306-306		1	Panel, Fender - Rear - Red (2BETR)	26	3305-703		18	Screw, Machine
	3306-410		1	Panel, Fender - Rear - Green (2BETG)	27	3304-431		22	Nut, Lock
12	3304-774		2	Nut, Lock	28	3304-586		4	Screw, Cap
13	3313-359		2	Reflector - Amber	29	5506-497	X	2	Footpeg
14	1411-893		1	Decal, Warning - Tire Pressure	30	0423-545		2	Screw, Shoulder
15	3313-674		1	Foil, Protective - Right	31	3313-762		1	Footwell - Rear - Right
16	3313-675		1	Foil, Protective - Left		3313-763		1	Footwell - Rear - Left
17	2411-465		1	Decal, "Arctic Cat"	32	3305-852		4	Washer



FRAME AND RELATED PARTS

0745-891

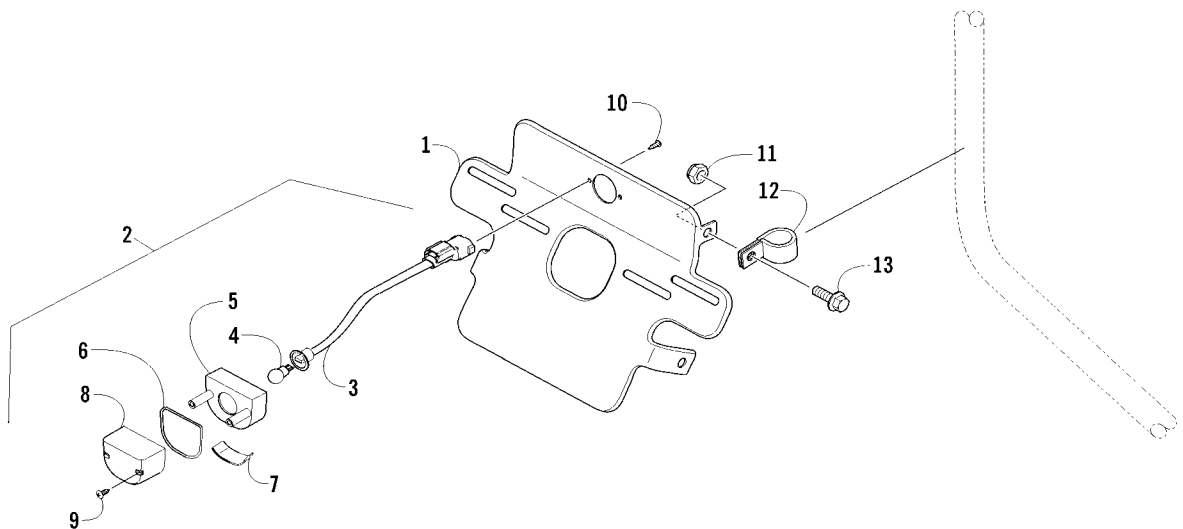
Ref	Part No.	New Qty	Description	Ref	Part No.	New Qty	Description
1	3306-424	1	Frame, Main	15	3313-577	1	Bracket, Mounting - Electrical
2	3306-332	1	Bumper - Front	16	3304-544	1	Screw, Cap
3	3304-543	12	Screw, Cap	17	3304-553	1	Screw, Cap
4	3304-587	4	Screw, Cap	18	3313-576	1	Horn, Electric - 12V
5	3306-352	1	Fascia, Bumper	19	3305-395	2	Screw, Machine
6	3304-766	1	Turn Signal - Right - Assembly (inc. 7-9)	20	3305-392	1	Lock, Steering
	3304-813	1	Turn Signal - Left - Assembly (inc. 7-9)	21	3313-351	2	Footrest
7	3304-822	1	● Lens - Right	22	3313-755	1	Panel, Belly
	3304-823	1	● Lens - Left	23	0423-545	10	Screw, Shoulder
8	3304-825	2	● Bulb	24	3313-596	1	Shield, Gearcase (inc. 25)
9	3305-359	1	● Harness - Right	25	3306-582	1	● Foil, Protective
	3305-360	1	● Harness - Left	26	3306-329	2	Cushion
10	3304-645	4	Screw, Self-Tapping	27	1411-077	1	Decal, Warning - Towing
11	3304-586	2	Screw, Cap	28	0541-857	1	Mount, Ball Hitch (inc. 29-30)
12	3303-267	2	Clip, U-Nut	29	0423-690	1	● Nut, Lock
13	3306-372	1	Relay, Turn Signal	30	0423-693	1	● Screw, Cap
14	3305-344	1	Screw, Cap				



WINCH ASSEMBLY

0746-067

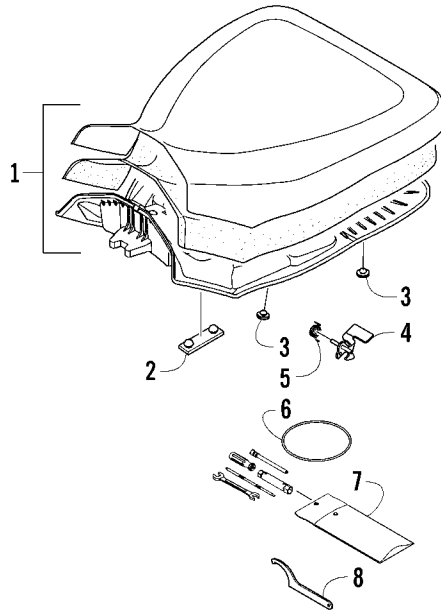
Ref	Part No.	New Qty	Description	Ref	Part No.	New Qty	Description
1	1441-830	1	Winch (inc. 2-4 and two No. 5)	16	0445-072	1	Cable, Winch/Solenoid - Yellow
2	2411-141	1	● Decal, Warning - Tension	17	0445-073	1	Cable, Winch/Solenoid - Blue
3	2411-140	1	● Decal, Warning - Operation	18	0445-075	1	Cable, Solenoid/Battery - Red
4	1441-831	1	● Cable, Winch	19	0445-074	1	Cable, Solenoid/Battery - Black
5	0623-038	8	● Nut w/Washer	20	0645-019	3	Boot, Terminal
6	8051-246	6	Washer, Lock	21	8476-625	2	Screw, Machine
7	8408-820	8	Screw, Cap	22	0409-066	1	Solenoid
8	0441-403	1	Roller, Winch (inc. 9)	23	8427-802	2	Nut, Lock
9	0411-474	1	● Decal, Warning - Pinch Point	24	0541-622	1	Plate, Mounting - Winch
10	8468-820	2	Screw, Machine	25	3306-644	1	Switch, Winch - Assembly
11	1441-781	1	Strap	26	0505-551	1	Bracket, Winch Switch
12	1441-833	1	Hook, Winch	27	8052-093	2	Washer, Internal Tooth Lock
13	1441-834	1	Pin	28	8009-243	2	Screw, Machine
14	0623-175	1	Pin, Cotter				
15	0123-788	AR	Tie, Cable - 8 in.				
	0123-903	AR	Tie, Cable - 11.5 in.				



LICENSE PLATE HOLDER ASSEMBLY

0744-570

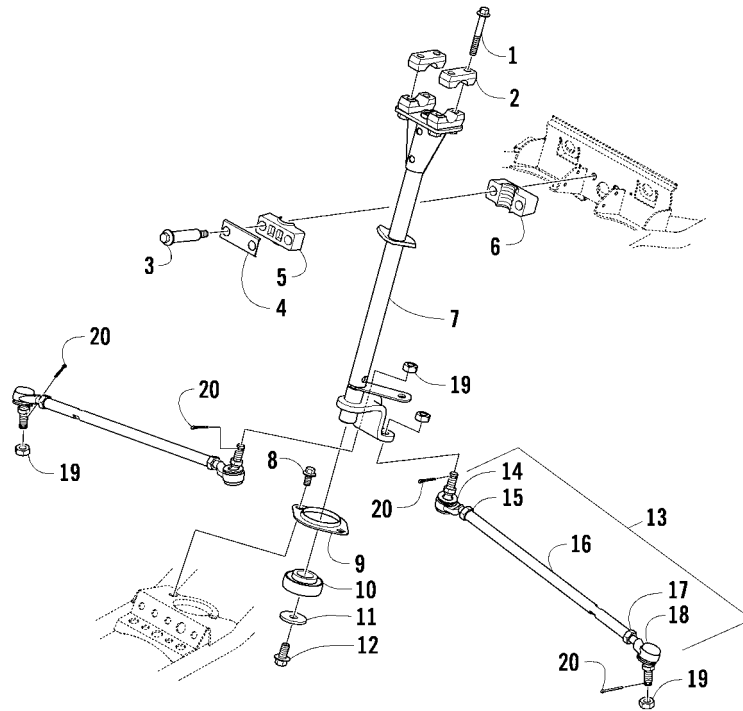
Ref	Part No.	New Qty	Description	Ref	Part No.	New Qty	Description
1	2506-808	1	Holder, License Plate	8	3305-365	1	● Cover
2	3304-772	1	Light Assembly (inc. 3-9)	9	3305-399	2	● Screw, Self-Tapping
3	3305-369	1	● Harness	10	3304-651	2	Screw, Self-Tapping
4	3303-847	1	● Bulb	11	3304-668	4	Nut, Lock
5	3305-367	1	● Base	12	3313-606	4	Clamp
6	3305-366	1	● Seal	13	3304-543	4	Screw, Cap
7	3305-368	1	● Lens				



SEAT ASSEMBLY

0746-216

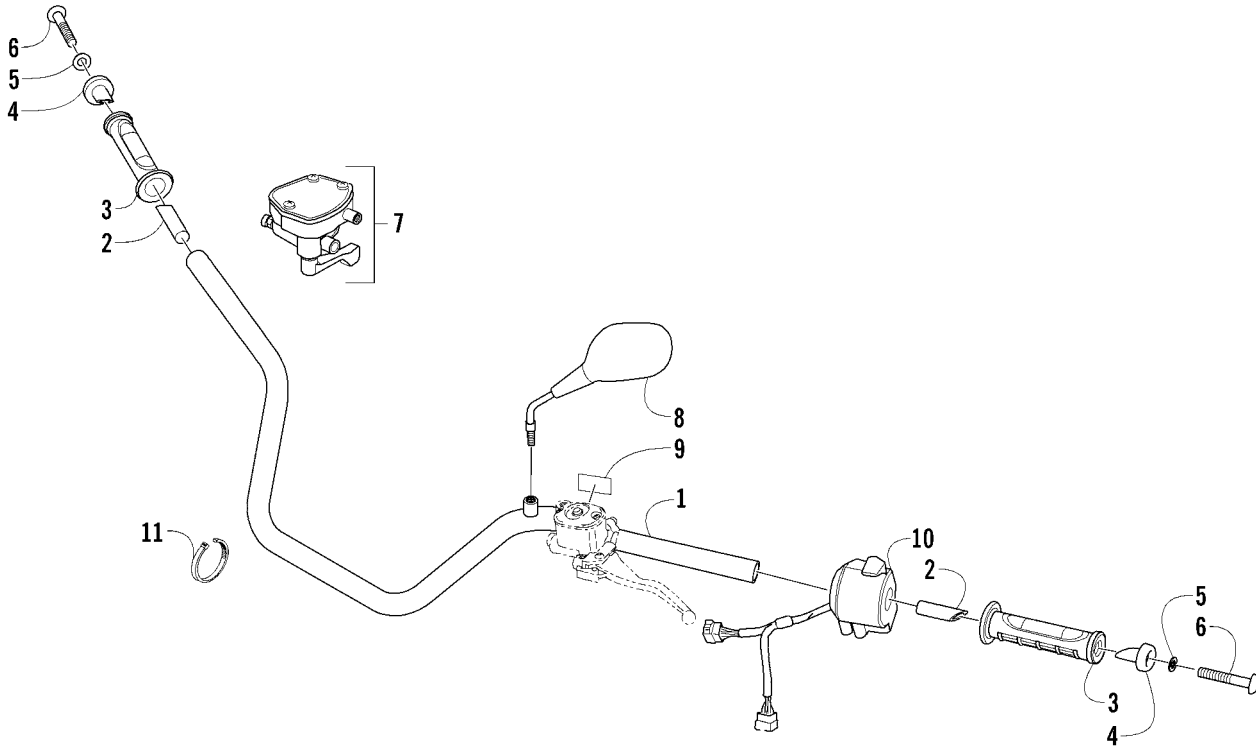
Ref	Part No.	New Qty	Description	Ref	Part No.	New Qty	Description
1	3313-199	1	Seat Assembly (inc. 2-5)	5	1406-592	1	● Spring, Seat Latch
2	3306-673	1	● Bumper, Seat	6	3313-759	1	Retainer, Tool Kit
3	3306-458	6	● Bumper, Seat	7	3305-913	1	Kit, Tool
4	1506-156	1	● Latch, Seat	8	1441-797	1	Wrench, Spanner - Optional



STEERING ASSEMBLY

0744-573

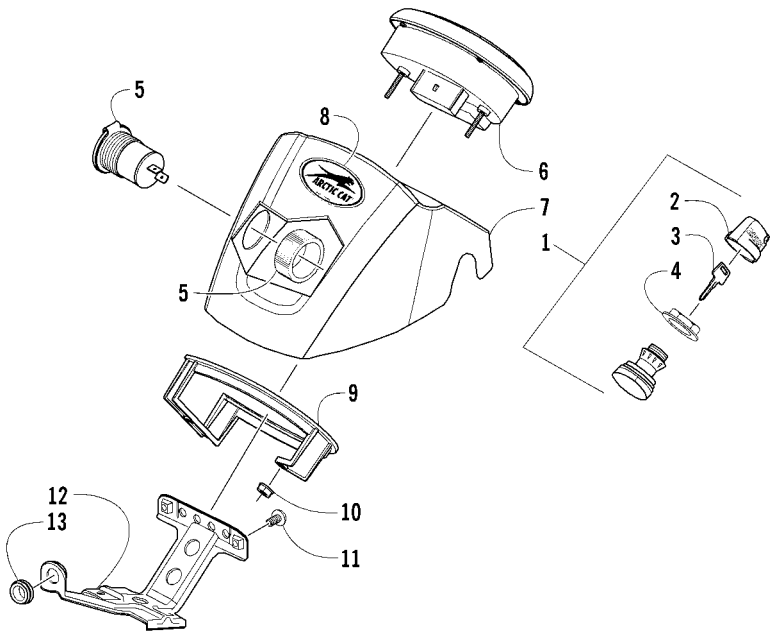
Ref	Part No.	New Qty	Description	Ref	Part No.	New Qty	Description
1	8408-860	4	Screw, Cap	11	0423-073	1	Washer
2	0405-035	2	Cap, Steering Adjuster	12	8408-820	1	Screw, Cap
3	0423-505	2	Screw, Shoulder	13	3306-722	2	Tie Rod - Assembly (inc. 14-18)
4	0405-166	1	Cap, Housing	14	3306-725	2	● End, Tie Rod - Left-Hand Thread
5	3323-052	1	Housing - Upper	15	3306-727	2	● Nut - Left-Hand Thread
6	3323-051	1	Housing - Lower	16	3306-723	2	● Tie Rod
7	3313-583	1	Post, Steering	17	3306-726	2	● Nut - Right-Hand Thread
8	3304-565	2	Screw, Cap	18	3306-724	2	● End, Tie Rod - Right-Hand Thread
9	0602-233	1	Flange, Bearing	19	3306-290	4	Nut
10	0405-052	1	Bearing w/Inverted Oil Seal	20	3305-724	4	Pin, Cotter



HANDLEBAR ASSEMBLY

0747-987

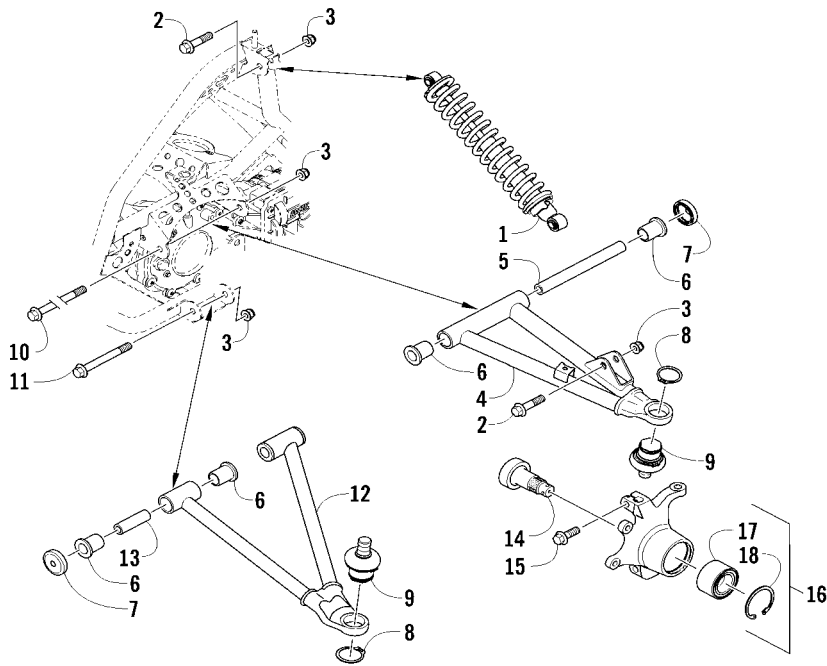
Ref	Part No.	New Qty	Description	Ref	Part No.	New Qty	Description
1	3313-859	1	Handlebar	7	3303-953	1	Case, Throttle - Assembly
2	0405-148	2	Plug, Handlebar	8	3304-803	1	Mirror Assembly - Right
3	0405-147	2	Grip, Handlebar		3304-816	1	Mirror Assembly - Left
4	0405-149	2	End Cap, Handlebar	9	1411-865	1	Decal, Brake Lever Lock
5	8050-247	2	Washer	10	3313-581	1	Switch, Control - Assembly
6	8477-845	2	Screw, Machine	11	3303-839	AR	Tie, Cable



INSTRUMENT POD ASSEMBLY

0747-097

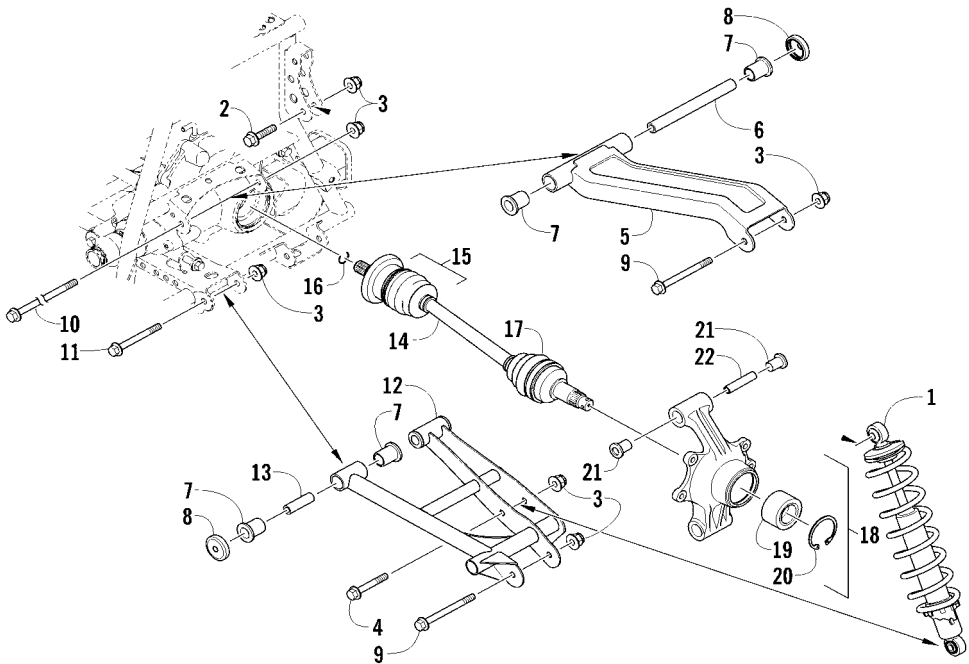
Ref	Part No.	New Qty	Description	Ref	Part No.	New Qty	Description
1	3313-677	1	Switch, Ignition - Assembly (inc. 2-4)	8	9611-751	1	Decal, "Arctic Cat" (2BETR)
2	0430-054	1	● Cover, Key		9611-752	1	Decal, "Arctic Cat" (2BETG)
3	3409-007	2	● Key, Ignition - Blank - C Series	9	0420-065	1	Bracket, Retaining
4	0430-050	1	● Nut, Flange - Ignition Switch	10	0423-493	2	Nut w/Washer
5	3313-468	1	Outlet, Accessory - 12V	11	3304-404	2	Screw, Cap
6	0520-160	1	Speedometer - Assembly	12	3306-277	1	Bracket, Mounting - Pod (inc. 13)
7	3306-278	1	Pod, Instrument - Black	13	3303-239	1	● Grommet



FRONT SUSPENSION ASSEMBLY

0745-302

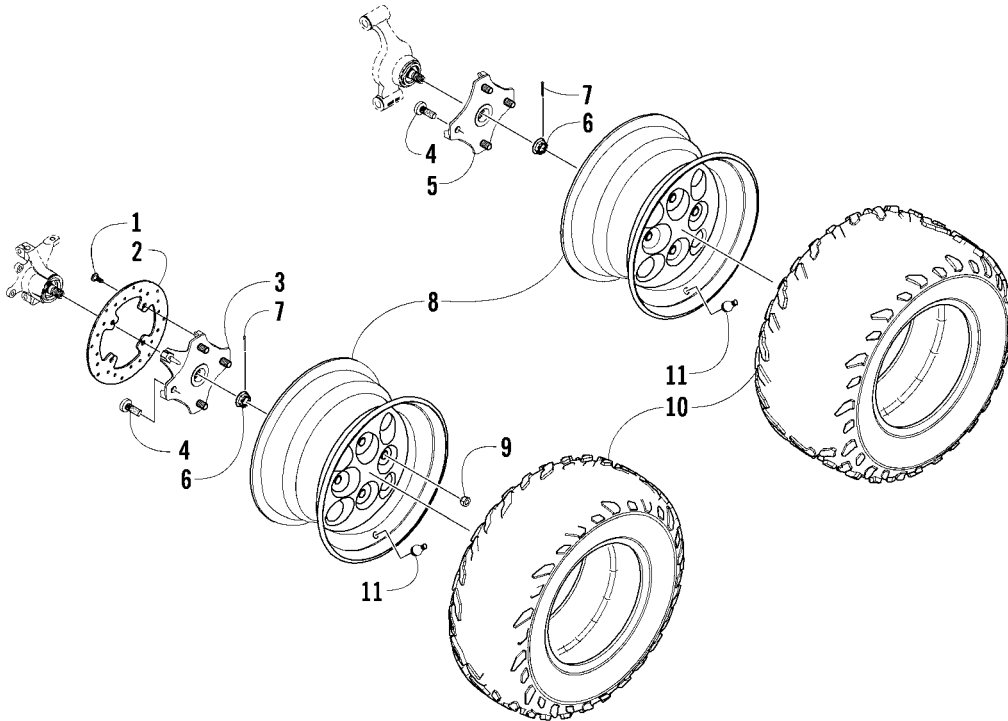
Ref	Part No.	New	Qty	Description	Ref	Part No.	New	Qty	Description
1	3313-331		2	Shock/Spring Assembly - Black	12	3313-082		1	A-Arm, Lower Right - Black (inc. 6-9 and 13)
2	3303-376		4	Screw, Cap		3313-083		1	A-Arm, Lower Left - Black (inc. 6-9 and 13)
3	3304-031		10	Nut, Lock	13	3313-107		4	● Axle
4	3306-866	X	1	A-Arm, Upper Right - Black (inc. 5-9)	14	3313-656		2	Stub-Shaft
	3306-867	X	1	A-Arm, Upper Left - Black (inc. 5-9)	15	3323-127		4	Screw, Cap
5	3313-111		2	● Axle	16	3323-130		1	Knuckle - Assembly - Right (inc. 17-18)
6	3313-112		12	● Bushing		3323-131		1	Knuckle - Assembly - Left (inc. 17-18)
7	3313-113		12	● Seal	17	1402-809		2	● Bearing
8	0423-009		4	● Ring, Retaining	18	0423-423		2	● Ring, Retaining
9	0405-483		4	● Ball Joint					
10	3313-430		2	Screw, Cap					
11	3304-183		4	Screw, Cap					



REAR SUSPENSION ASSEMBLY

0745-291

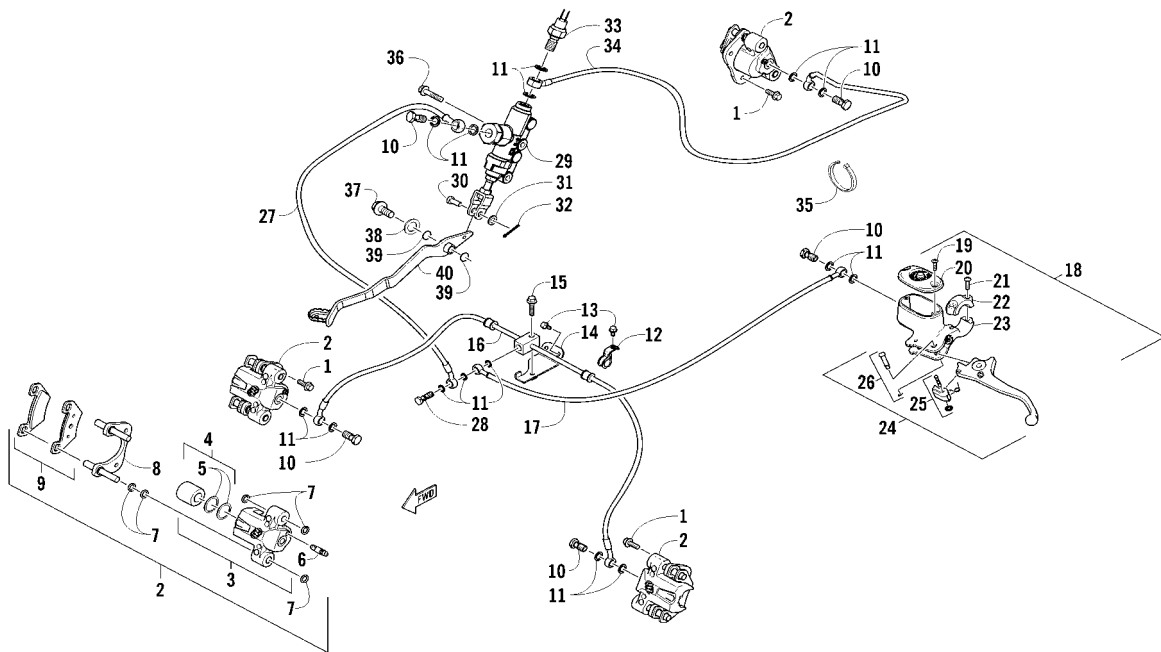
Ref	Part No.	New	Qty	Description	Ref	Part No.	New	Qty	Description
1	3313-150		2	Shock/Spring Assembly - Black	13	3313-107		4	● Axle
2	3303-376		2	Screw, Cap	14	3313-832		2	Axle, Drive (inc. 15-17)
3	3304-031		14	Nut, Lock	15	3313-560		2	● Repair Kit, Boot - Drive Axle - Inbound (inc. 16)
4	8409-065		2	Screw, Cap	16	0423-845		2	●● Ring, Retaining
5	3306-872	X	1	A-Arm, Upper Right - Black (inc. 6-8)	17	3306-425		2	● Repair Kit, Boot - Drive Axle - Outbound
6	3313-111		2	● Axle	18	3323-108		1	Knuckle - Assembly - Right (inc. 19-22)
7	3313-112		12	● Bushing		3323-109		1	Knuckle - Assembly - Left (inc. 19-22)
8	3313-113		12	● Seal	19	1402-809		2	● Bearing
9	3323-188		4	Screw, Cap	20	0423-423		2	● Ring, Retaining
10	3313-430		2	Screw, Cap	21	0403-206		8	● Bushing
11	3304-183		4	Screw, Cap	22	0403-213		4	● Axle
12	3313-136		1	A-Arm, Lower Right - Black (inc. 7-8 and 13)					
	3313-137		1	A-Arm, Lower Left - Black (inc. 7-8 and 13)					



WHEEL AND TIRE ASSEMBLY

0742-948

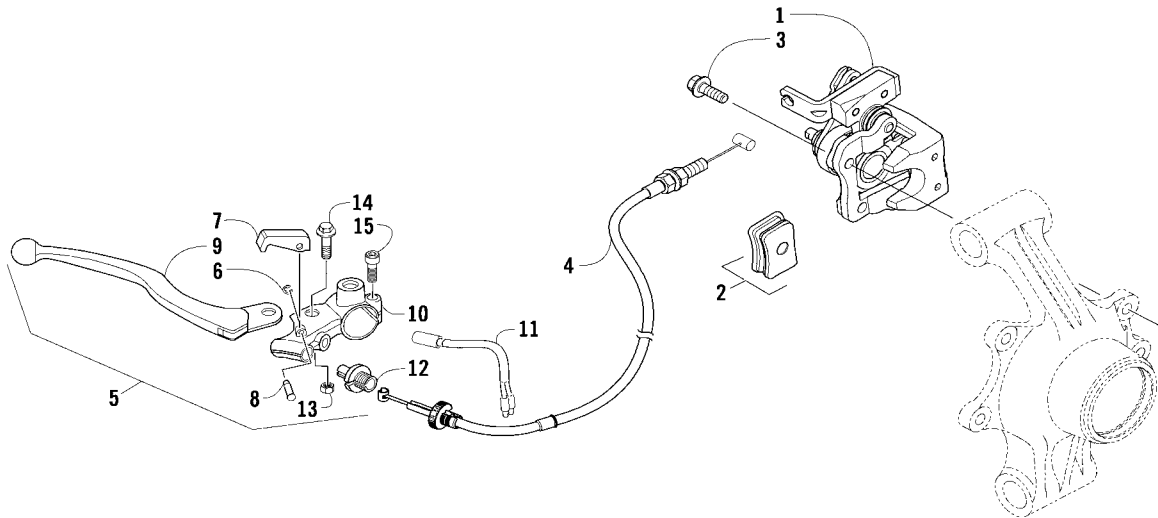
Ref	Part No.	New Qty	Description	Ref	Part No.	New Qty	Description
1	0423-557	12	Screw, Shoulder	7	0423-407	4	Pin, Cotter
2	1436-806	3	Disc, Brake	8	3306-868	X 4	Wheel - Black
3	1502-462	2	Hub, Wheel - Front (inc. 4)	9	0423-408	16	Nut, Lug
4	0402-974	16	● Stud	10	3306-419	2	Tire - Front
5	1502-462	1	Hub, Wheel - Right Rear (inc. 4)	11	3306-420	2	Tire - Rear
6	0423-607	4	Nut, Castle		3303-887	4	Stem, Valve



HYDRAULIC BRAKE ASSEMBLY

0745-303

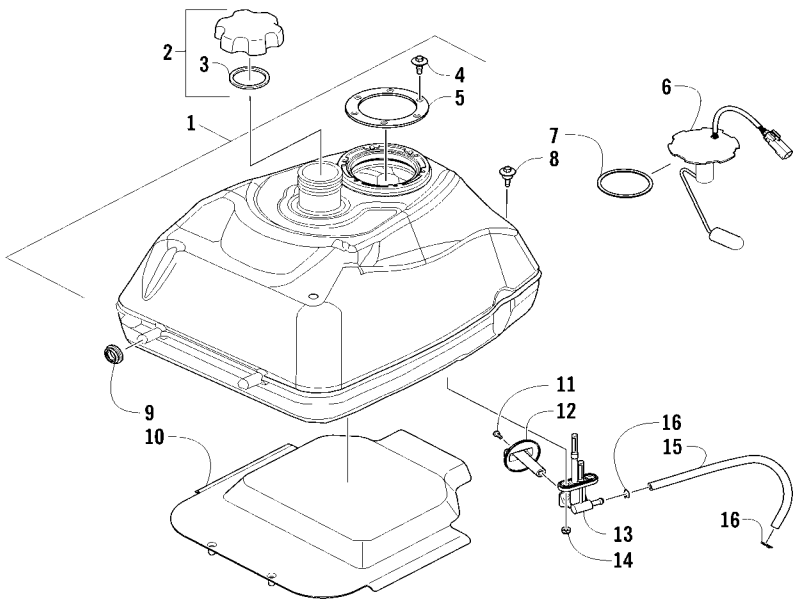
Ref	Part No.	New Qty	Description	Ref	Part No.	New Qty	Description
1	3305-785	6	Screw, Cap	17	3313-647	1	Hose, Brake
2	3323-230	1	Caliper, Brake - Right Front (inc. 3-9)	18	3313-316	1	Brake Assembly (inc. 19-26)
	3323-231	1	Caliper, Brake - Left Front (inc. 3-9)	19	0502-566	1	● Screw, Machine - Kit
	3323-231	1	Caliper, Brake - Rear (inc. 3-9)	20	0502-868	1	● Cover, Reservoir
3	1436-160	1	● Housing, Caliper - Assembly - Right Front (inc. 4-6)	21	0502-568	1	● Screw, Machine - Kit
	1436-161	1	● Housing, Caliper - Assembly - Left Front (inc. 4-6)	22	0502-869	1	● Clamp, Master Cylinder
	1436-161	1	● Housing, Caliper - Assembly - Rear (inc. 4-6)	23	0502-704	1	● Master Cylinder Assembly
4	0502-606	3	●● Piston/Seal Set (inc. 5)	24	0502-866	1	● Lever Assembly - Kit (inc. 25-26)
5	0502-607	3	●●● Seal Set	25	0502-867	1	●● Lock, Brake Lever - Kit
6	0502-609	3	●● Valve, Bleed	26	0502-580	1	●● Lever Pin - Kit
7	0502-608	3	● O-Ring, Guide - Set	27	3313-682	1	Hose, Brake
8	0502-605	3	● Bracket Assembly	28	3304-674	1	Bolt, Banjo-Fitting - Double
9	1502-694	3	● Pad, Brake - Set	29	3306-370	1	Brake Assembly
10	3303-257	5	Bolt, Banjo-Fitting	30	3306-152	1	Pin, Clevis
11	3303-284	15	Washer, Crush	31	3304-050	1	Washer
12	3303-919	2	Clamp, Brake Hose	32	3304-141	1	Pin, Cotter
13	3304-553	3	Screw, Cap	33	3313-680	1	Switch, Brake
14	3313-523	1	Bracket, Mounting - Brake Hose Assembly	34	3313-681	1	Hose, Brake
15	3305-789	1	Screw, Cap	35	0123-788	AR	Tie, Cable - 8 in.
16	3313-750	1	Hose, Brake - Assembly	36	3303-383	2	Screw, Cap
				37	3304-543	1	Screw, Cap
				38	8050-252	1	Washer
				39	1602-213	2	O-Ring
				40	3313-156	1	Pedal, Brake



PARKING BRAKE ASSEMBLY

0744-579

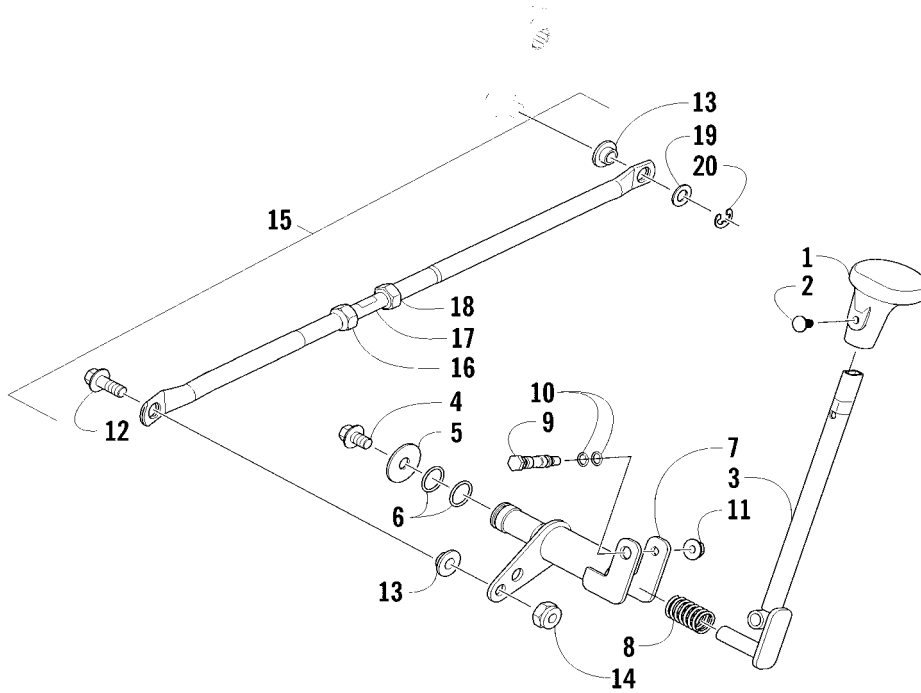
Ref	Part No.	New Qty	Description	Ref	Part No.	New Qty	Description
1	3306-356	1	Caliper (inc. 2)	9	3313-686	1	● Lever, Brake
2	3305-788	1	● Pad, Brake - Set	10	3313-687	1	● Housing, Brake Lever
3	3305-784	2	Screw, Cap	11	3313-860	1	● Switch, Brake
4	3306-351	1	Cable	12	3303-271	1	● Adjuster, Cable
5	3313-650	1	Handle, Brake - Assembly (inc. 6-15)	13	3303-262	1	● Nut
6	3313-691	1	● E-Ring	14	3305-914	1	● Screw, Shoulder
7	3313-689	1	● Lock, Brake Lever	15	3303-397	1	● Screw, Cap
8	3313-690	1	● Pin				



GAS TANK ASSEMBLY

0745-841

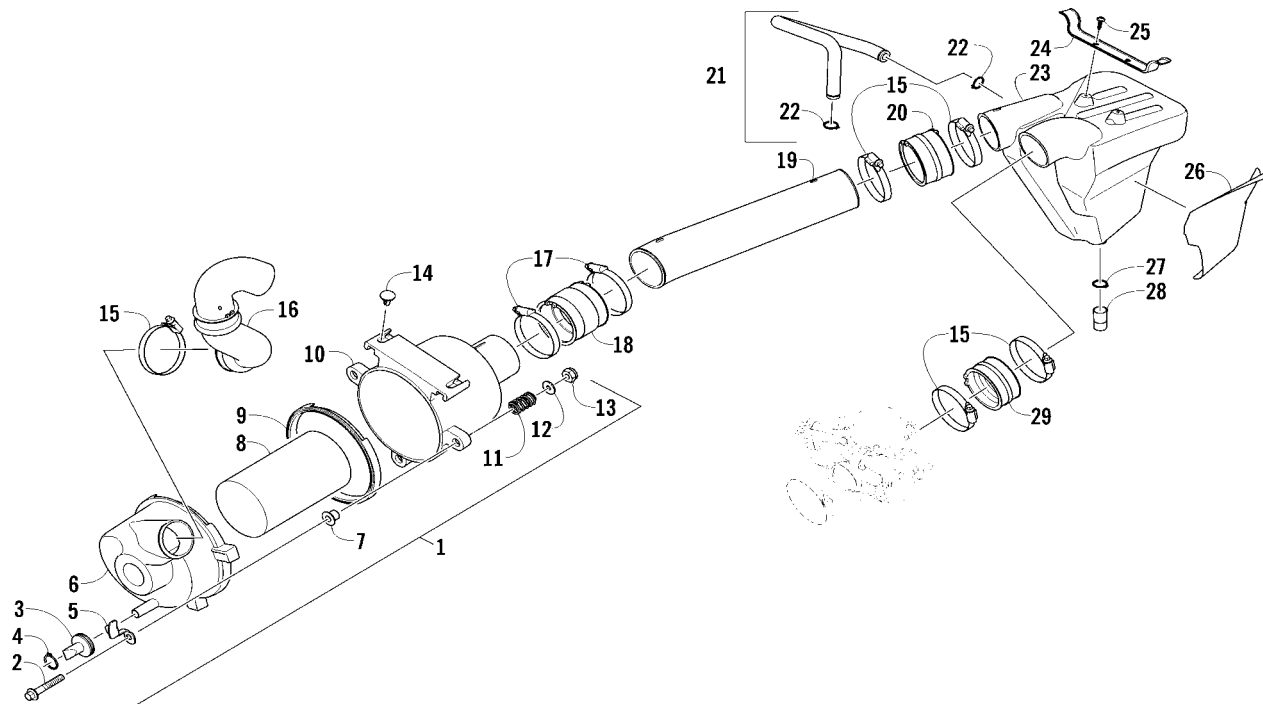
Ref	Part No.	New	Qty	Description	Ref	Part No.	New	Qty	Description
1	3306-241		1	Tank, Gas - Assembly	9	0423-460		2	Grommet
2	3306-297		1	Cap, Gas Tank (inc. 3)	10	3313-833		1	Shield, Heat
3	3306-298		1	● Gasket, Gas Tank Cap	11	0423-146		1	Screw, Machine
4	3306-300		6	Screw, Self-Tapping	12	3313-287		1	
5	3306-299		1	Plate, Retaining	13	3306-897	X	1	Valve, Gas Tank
6	3313-852		1	Sensor, Fuel Level	14	3304-431		2	Nut, Lock
7	3313-845		1	Seal	15	3313-685		1	Hose, Gasline (inc. 16)
8	0423-732		1	Screw, Shoulder	16	3313-684		2	● Clamp, Hose



SHIFT LEVER ASSEMBLY

0745-758

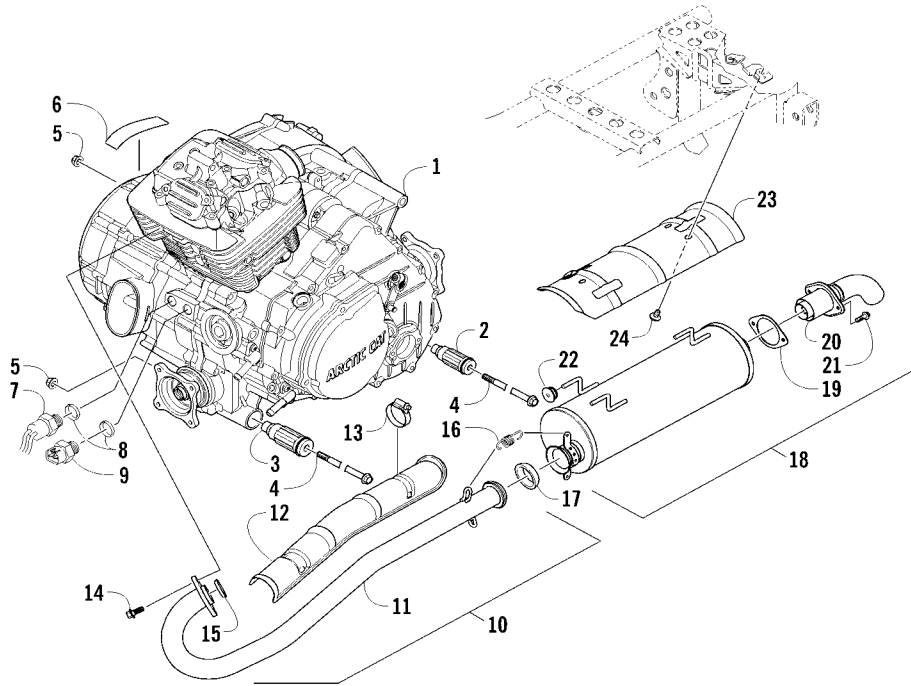
Ref	Part No.	New Qty	Description	Ref	Part No.	New Qty	Description
1	0402-843	1	Knob, Shift Lever	11	3304-654	1	Nut, Lock
2	0423-345	1	Clip, Retaining	12	3313-821	1	Screw, Cap
3	3313-317	1	Lever, Shift	13	3323-037	2	Bushing
4	3304-544	1	Screw, Cap	14	3305-396	1	Nut, Lock
5	0423-087	1	Washer	15	3306-319	1	Linkage, Shift - Assembly (inc. 16-18)
6	0423-299	2	O-Ring	16	3303-327	1	● Nut, Hex - Right-Hand Thread
7	3306-317	1	Actuator, Shift	17	3313-278	1	● Adjuster, Shift Linkage
8	0402-678	1	Spring, Shift Lever	18	3313-822	1	● Nut, Hex - Left-Hand Thread
9	0402-675	1	Axle, Pivot	19	3304-138	1	Washer
10	0423-182	2	O-Ring	20	3313-766	1	E-Ring



AIR INTAKE ASSEMBLY

0745-844

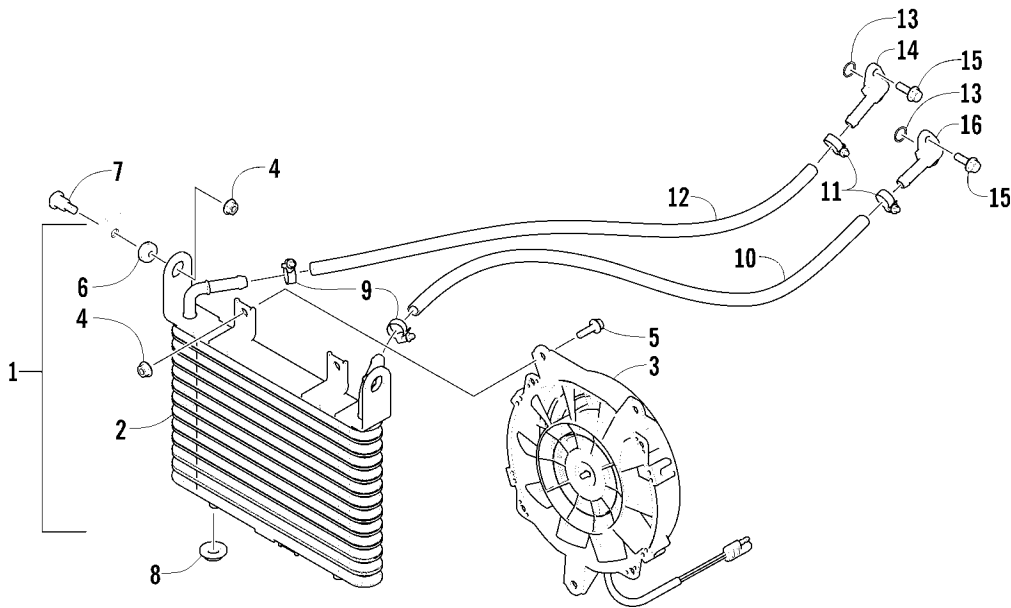
Ref	Part No.	New Qty	Description	Ref	Part No.	New Qty	Description
1	3313-395	1	Filter, Air - Assembly (inc. 2-13)	16	3313-816	1	Boot, Air Intake
2	8408-850	3	● Screw, Cap	17	3313-817	2	Clamp
3	0470-442	1	● Valve, Drain	18	3313-275	1	Boot, Air Intake
4	3313-705	1	● Clamp	19	3313-063	1	Boot, Air Intake
5	3313-375	3	● Latch	20	3313-274	1	Boot, Air Intake
6	3313-376	1	● Cover, Air Filter	21	3313-397	1	Hose, Oil Catch (inc. 22)
7	3313-853	3	● Spacer	22	3304-167	2	● Clamp, Hose
8	3313-378	1	● Element, Air Filter	23	3313-224	1	Housing, Air Intake
9	3313-446	1	● Gasket, Air Filter	24	3313-356	1	Bracket, Mounting - Air Intake Housing
10	3313-377	1	● Housing, Air Filter	25	3304-409	2	Screw, Self-Tapping
11	0402-678	3	● Spring	26	3313-362	1	Foil, Protective
12	8050-222	3	● Washer	27	3313-706	1	Clamp
13	3303-269	3	● Nut, Lock	28	3313-543	1	Pipe, Drain
14	3305-448	2	Clip, Retaining	29	3313-551	1	Boot, Air Intake
15	0423-380	5	Clamp				



ENGINE AND EXHAUST

0745-304

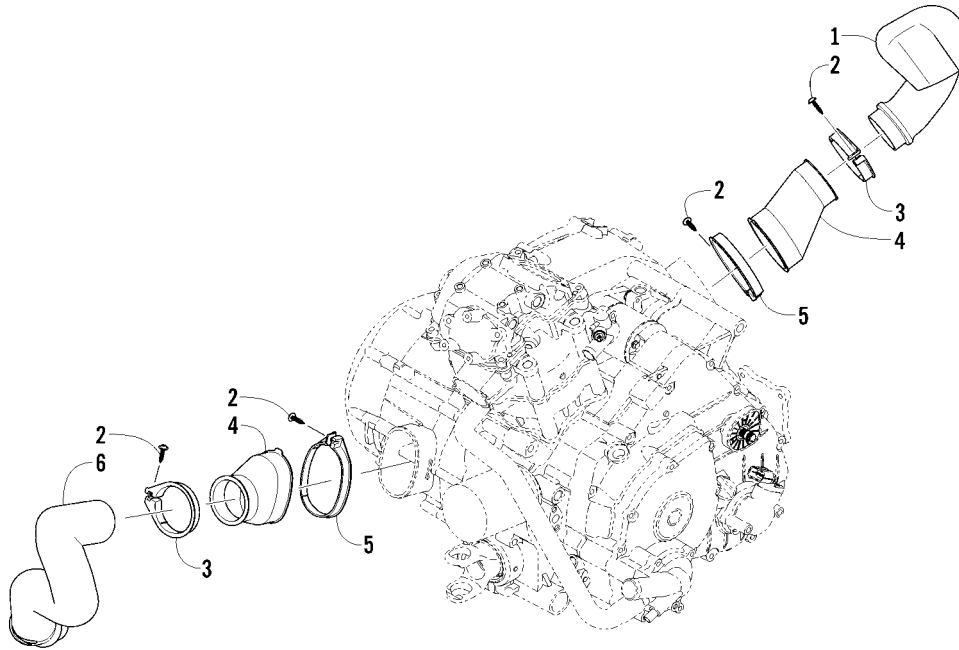
Ref	Part No.	New Qty	Description	Ref	Part No.	New Qty	Description
1	3313-862	1	Engine (inc. 2-3)	13	0423-317	2	● Clamp
2	0801-092	3	● Mount, Rubber - Engine	14	3304-565	2	Screw, Cap
3	0801-144	1	● Mount, Rubber - Engine	15	0412-007	1	Gasket, Exhaust Pipe
4	3323-174	2	Screw, Cap	16	0612-668	2	Spring, Extension
5	3304-031	2	Nut, Lock	17	0612-188	1	Seal, Exhaust
6	0411-426	1	Decal, Warning - Clutch Cover	18	3313-709	1	Muffler - Assembly (inc. 19-21)
7	3313-432	1	Switch, Temperature - Fan	19	3323-116	1	● Gasket, Spark Arrester
8	0830-180	2	O-Ring	20	3313-047	1	● Arrester, Spark - Assembly
9	3313-431	1	Switch, Temperature - Light	21	3305-344	2	● Screw, Cap
10	3313-692	1	Pipe, Exhaust - Assembly (inc. 11-13)	22	3313-264	3	Bushing
11	3313-693	1	● Pipe, Exhaust	23	3313-026	1	Cover, Muffler
12	3313-025	1	● Shield, Exhaust	24	3313-711	3	Screw, Machine



OIL COOLER ASSEMBLY

0745-294

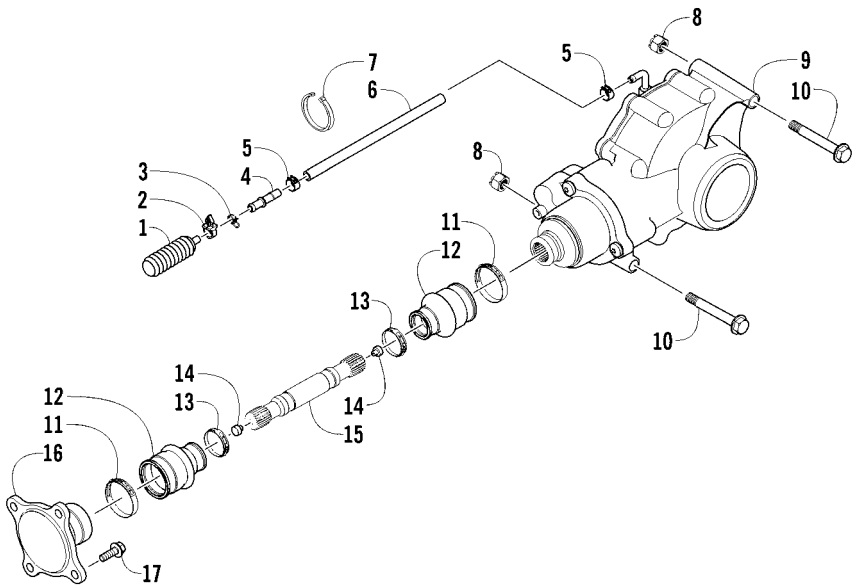
Ref	Part No.	New Qty	Description	Ref	Part No.	New Qty	Description
1	3323-202	1	Cooler, Oil - Assembly (inc. 2-3, three No. 4, and 5-6)	9	0423-098	2	Clamp, Hose
2	3323-203	1	● Cooler, Oil	10	0410-044	1	Hose, Oil
3	3323-204	1	● Fan, Cooling	11	3313-772	2	Clamp, Hose
4	3304-654	5	● Nut, Lock	12	3313-771	1	Hose, Oil
5	3304-587	3	● Screw, Cap	13	0830-172	2	O-Ring
6	0423-030	2	● Grommet	14	0812-060	1	Fitting, Oil
7	3313-166	2	Screw, Shoulder	15	3303-617	4	Screw, Cap
8	0423-028	2	Bushing, Stem	16	0812-059	1	Fitting, Oil



CASE/BELT COOLING ASSEMBLY

0745-769

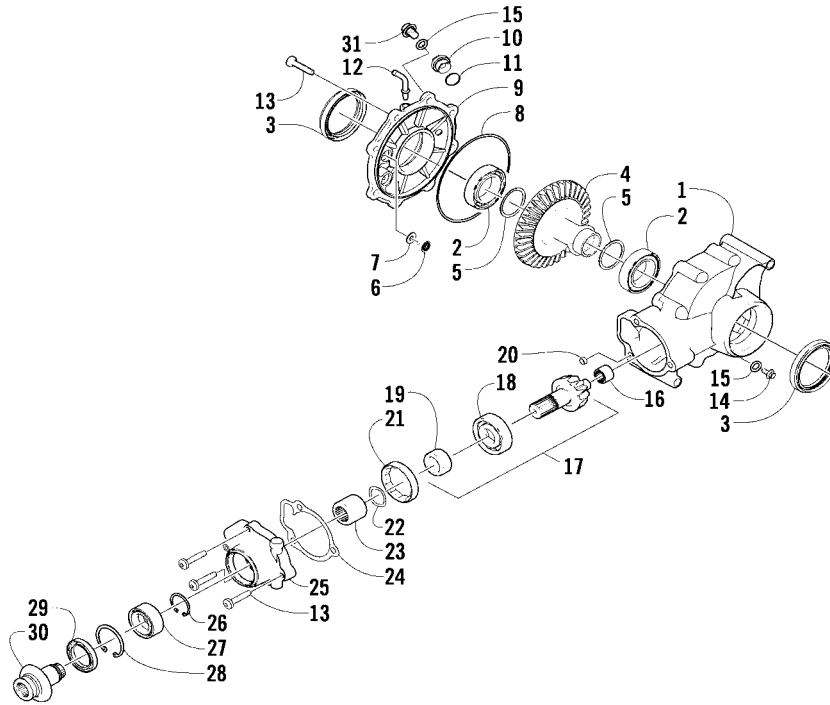
Ref	Part No.	New Qty	Description	Ref	Part No.	New Qty	Description
1	3313-064	1	Duct, Belt - Air Out	4	3313-782	2	Boot, Duct
2	0423-342	4	Screw, Self-Tapping	5	0423-550	2	Clamp
3	0423-551	2	Clamp	6	3313-065	1	Duct, Belt - Air In



DRIVE TRAIN ASSEMBLY

0746-069

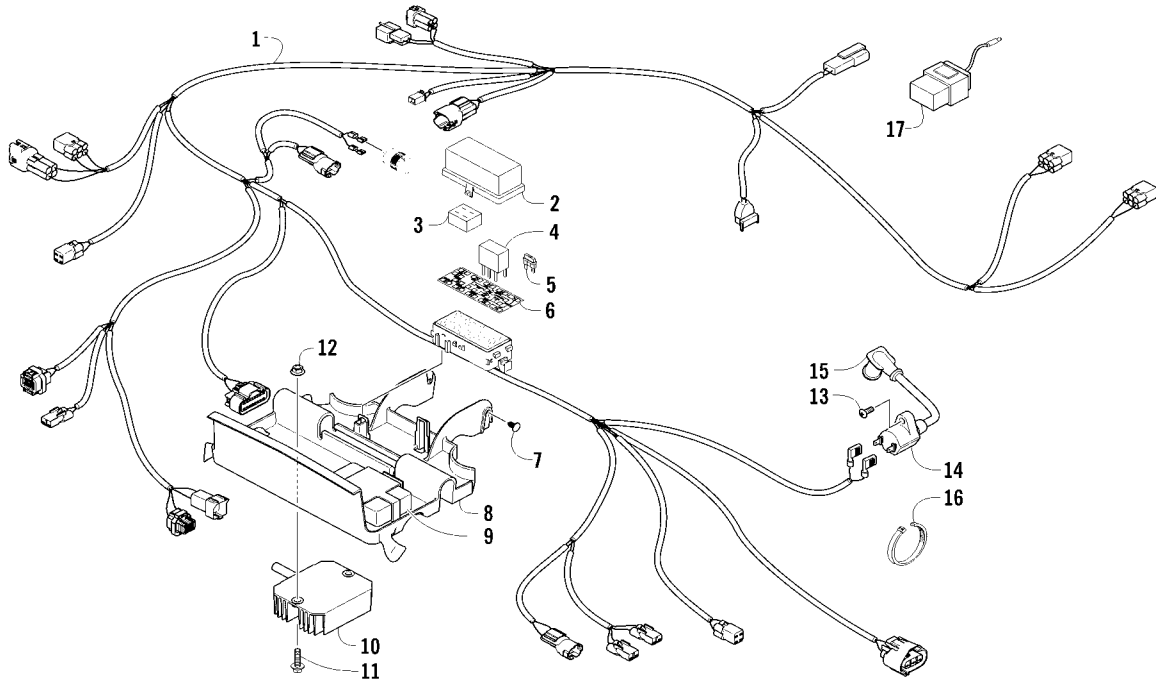
Ref	Part No.	New Qty	Description	Ref	Part No.	New Qty	Description
1	3313-796	1	Bladder, Gearcase	10	3305-787	2	Screw, Cap
2	3323-152	1	Clip, Routing	11	3313-776	2	Clamp
3	3303-349	1	Clamp, Hose	12	0402-985	2	Boot
4	3323-150	1	Fitting, Vent	13	3313-777	2	Clamp
5	3313-684	2	Clamp, Hose	14	3313-783	2	Bumper, Propeller Shaft
6	0410-070	AR	Hose, Vent	15	3313-773	1	Shaft, Propeller
7	0123-788	AR	Tie, Cable - 8 in.	16	3313-774	1	Flange, Output
8	3304-031	2	Nut, Lock	17	3304-565	4	Screw, Cap
9	3306-023	1	Gearcase, Rear				



REAR DRIVE GEARCASE ASSEMBLY

0741-524

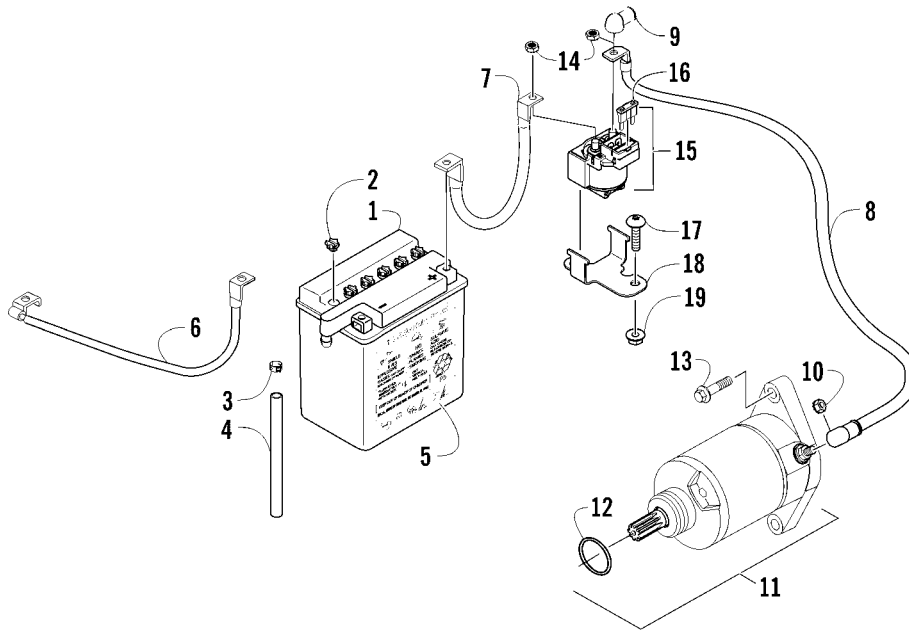
Ref	Part No.	New Qty	Description	Ref	Part No.	New Qty	Description
-	3306-023	1	Complete Rear Drive Gearcase Assembly	9	3306-033	1	Cover, Gearcase
1	3306-024	1	Housing, Gearcase	10	3306-035	1	Plug, Fill (inc. 11)
2	3306-801	2	Bearing	11	0423-154	1	● O-Ring
3	3306-025	2	Seal	12	3306-034	1	Fitting, Elbow
4	3306-029	1	Gear, Ring - 34T	13	3303-615	11	Screw, Self-Tapping
5	3306-132	AR	Shim, 41 x 49 x 1.0 mm	14	3306-027	1	Plug, Magnetic (inc. one No. 15)
	3306-133	AR	Shim, 41 x 49 x 1.1 mm	15	0423-153	2	● O-Ring
	3306-134	AR	Shim, 41 x 49 x 1.2 mm	16	3306-038	1	Bearing
	3306-135	AR	Shim, 41 x 49 x 1.3 mm	17	3306-039	1	Gear, Pinion - Assembly - 11T (inc. 18-19)
	3306-136	AR	Shim, 41 x 49 x 1.4 mm	18	3306-040	1	● Bearing
	3306-137	AR	Shim, 41 x 49 x 1.5 mm	19	0402-336	1	● Collar, Retaining
	3306-138	AR	Shim, 41 x 49 x 1.6 mm	20	3306-048	1	Pin, Dowel
	3306-139	AR	Shim, 41 x 49 x 1.7 mm	21	3306-042	1	Collar, Lock
6	3306-031	1	Button, Thrust	22	3306-043	1	Washer, Wave
7	3306-124	AR	Shim, 6.3 x 18 x 1.0 mm	23	3306-044	1	Collar, Shaft
	3306-125	AR	Shim, 6.3 x 18 x 1.1 mm	24	3323-234	1	Gasket, Flange
	3306-126	AR	Shim, 6.3 x 18 x 1.2 mm	25	3306-049	1	Housing, Pinion
	3306-127	AR	Shim, 6.3 x 18 x 1.3 mm	26	3306-045	1	Ring, Retaining
	3306-128	AR	Shim, 6.3 x 18 x 1.4 mm	27	3323-240	1	Bearing
	3306-129	AR	Shim, 6.3 x 18 x 1.5 mm	28	3306-046	1	Ring, Retaining
	3306-130	AR	Shim, 6.3 x 18 x 1.6 mm	29	3323-239	1	Seal
	3306-131	AR	Shim, 6.3 x 18 x 1.7 mm	30	3306-047	1	Shaft, Input
8	3306-030	1	O-Ring	31	3306-036	1	Plug, Oil Level (inc. one No. 15)



WIRING HARNESS ASSEMBLY

0746-070

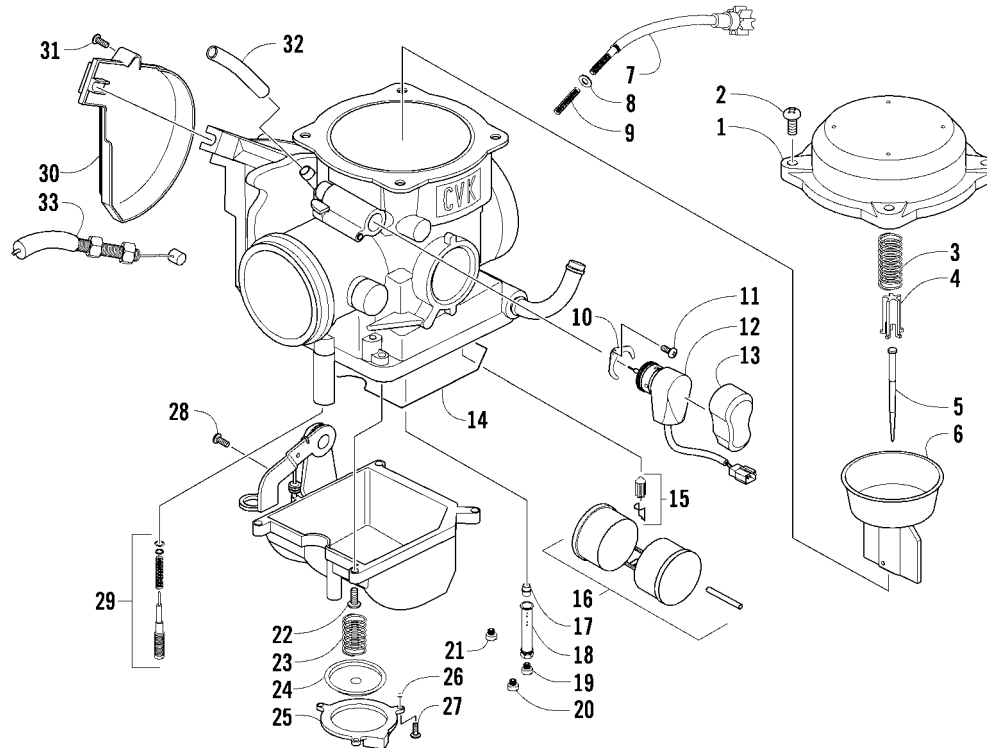
Ref	Part No.	New	Qty	Description	Ref	Part No.	New	Qty	Description
1	3306-898	X	1	Harness, Main (inc. 2-6)	9	3313-659		1	CDI Unit
2	0530-008		1	● Cover, Fuse Block	10	3306-413		1	Regulator, Voltage
3	0430-037		1	● Holder, Fuse	11	3305-344		2	Screw, Cap
4	0430-033		3	● Relay (5-Pin) - 30 Amp	12	3304-654		2	Nut, Lock
5	0430-032		4	● Fuse - 10 Amp	13	3303-252		1	Screw, Machine
	0430-031		3	● Fuse - 15 Amp	14	3323-216		1	Coil, Ignition - Assembly (inc. 15)
	3304-212		1	● Fuse - 30 Amp	15	3313-695		1	● Cap, Spark Plug
6	2411-565		1	● Decal, Fuse Block	16	3303-289	AR		Tie, Cable
7	0423-345		2	Clip, Retaining	17	3304-778		1	Control, Hazard
8	3313-273		1	Tray, Electrical					



BATTERY AND STARTER ASSEMBLY

0745-853

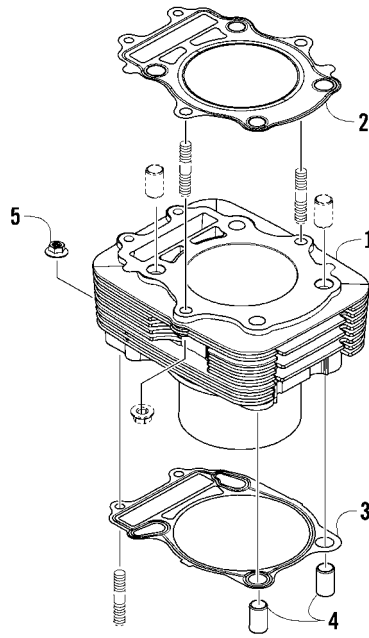
Ref	Part No.	New Qty	Description	Ref	Part No.	New Qty	Description
1	0745-045	1	Battery Assembly (inc. 2-5)	10	3304-011	1	Nut w/Washer
2	0645-045	6	● Cap	11	3305-954	1	Motor, Starter - Assembly (inc. 12)
3	0645-152	1	● Clamp, Hose	12	3304-104	1	● O-Ring
4	0645-263	1	● Hose, Vent	13	3305-946	2	Screw, Cap
5	0645-151	1	● Decal, Warning	14	3304-654	2	Nut, Lock
6	3313-525	1	Cable, Battery/Ground	15	3313-464	1	Solenoid (inc. 16)
7	3313-526	1	Cable, Battery/Solenoid	16	3304-212	1	● Fuse - 30 Amp
8	3313-527	1	Cable, Solenoid/Starter (inc. 9)	17	3305-703	2	Screw, Machine
9	-	1	● Boot, Terminal - Part Number not Available	18	3313-467	1	Bracket, Mounting - Solenoid
				19	3304-431	2	Nut



CARBURETOR

0744-227

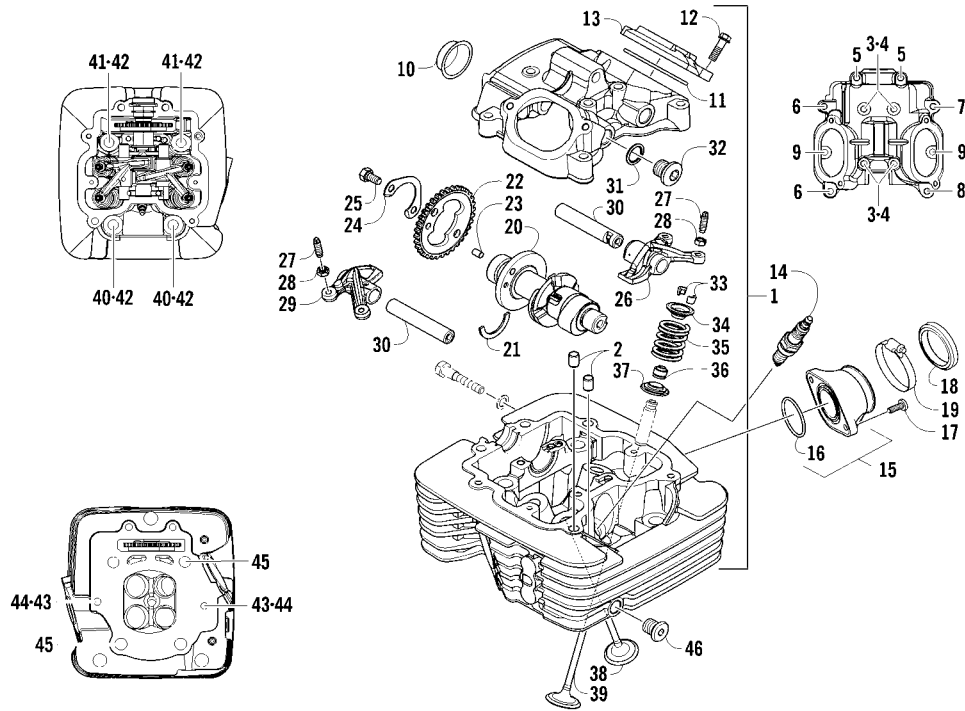
Ref	Part No.	New Qty	Description	Ref	Part No.	New Qty	Description
-	0470-856	1	Complete Carburetor Assembly	17	5507-007	1	Needle Jet
1	5507-001	1	Cover, Top	18	5507-047	1	Holder, Needle Jet
2	5507-002	4	Screw, Machine	19	5507-125	1	Main Jet - 120
3	5507-066	1	Spring	20	5507-097	1	Starter Jet - 75
4	5507-005	1	Seat, Spring	21	5507-010	1	Slow Jet
5	5507-110	1	Jet Needle	22	5507-017	4	Screw, Machine
6	5507-109	1	Piston, Vacuum	23	5507-032	1	Spring
7	5507-027	1	Screw, Idle Adjust	24	5507-197	1	Diaphragm Assembly
8	5507-028	1	Washer	25	5507-198	1	Housing, Pump
9	5507-029	1	Spring	26	5507-034	1	U-Ring
10	5507-115	1	Plate	27	5507-035	3	Screw, Machine
11	5507-117	1	Screw, Machine	28	5507-050	1	Screw, Drain
12	5507-180	1	Choke, Electric	29	5507-111	1	Screw, Pilot - Set
13	5507-114	1	Cover, Electric Choke	30	5507-036	1	Cover
14	5507-067	1	O-Ring, Float Chamber	31	5507-037	1	Screw, Machine
15	5507-107	1	Valve, Float - Set	32	3313-476	1	Hose, Vent
16	5507-039	1	Float Set	33	3323-227	1	Cable, Throttle



CYLINDER ASSEMBLY

0744-250

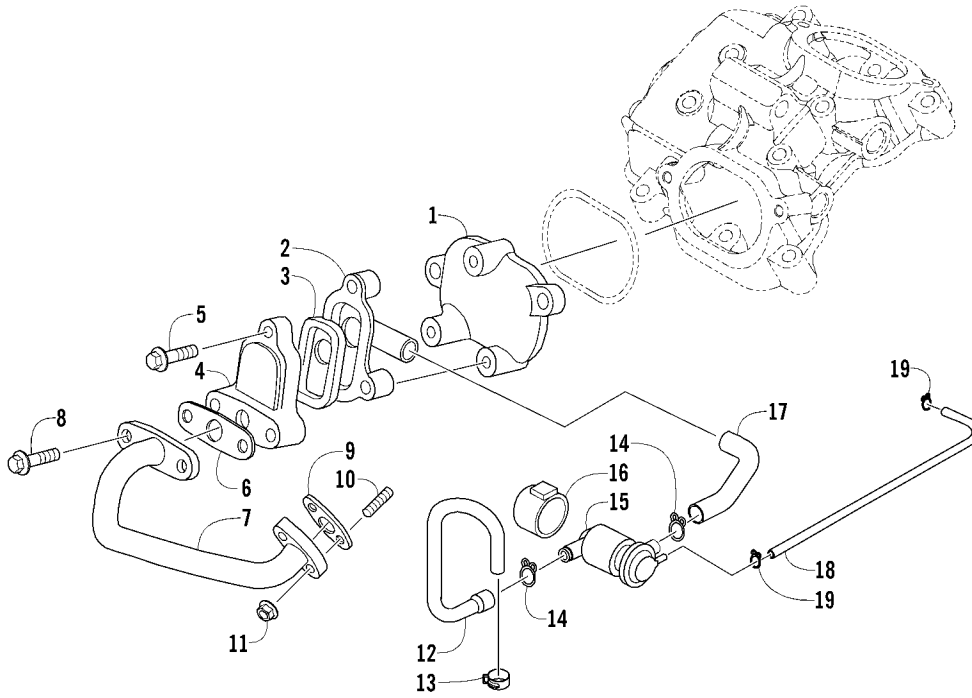
Ref	Part No.	New Qty	Description	Ref	Part No.	New Qty	Description
1	0804-042	1	Cylinder	4	0829-046	2	Pin, Dowel
2	0830-050	1	Gasket, Cylinder Head	5	3304-654	2	Nut, Lock
3	0830-053	1	Gasket, Cylinder				



CYLINDER HEAD AND CAMSHAFT/VALVE ASSEMBLY

0745-306

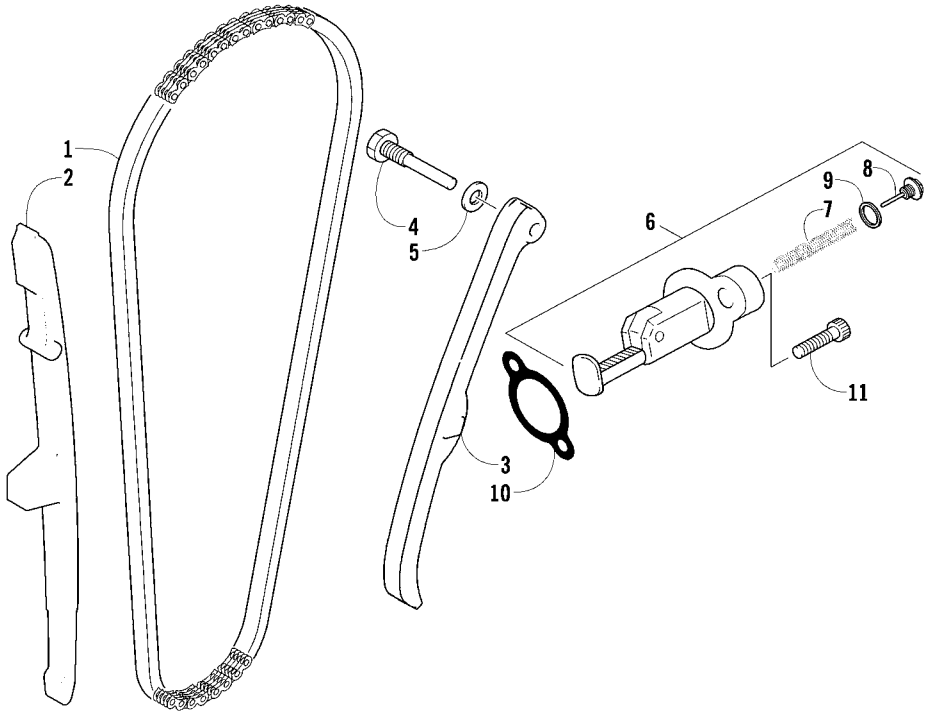
Ref	Part No.	New Qty	Description	Ref	Part No.	New Qty	Description
1	0808-185	1	Head, Cylinder	24	0828-086	1	Plate, Retainer
2	3303-341	2	Pin, Dowel	25	0826-154	2	Screw, Cap
3	0826-115	4	Screw, Cap	26	0809-145	1	Arm, Valve Rocker - Intake
4	0830-155	4	Gasket	27	3304-007	4	Screw, Adjuster
5	3304-918	2	Screw, Cap	28	3304-026	4	Nut
6	3303-386	2	Screw, Cap	29	0809-149	1	Arm, Valve Rocker - Exhaust
7	3304-903	1	Screw, Cap	30	0809-151	2	Shaft, Rocker Arm
8	0826-136	1	Screw, Cap	31	0830-143	2	Gasket
9	3303-384	2	Screw, Cap	32	0831-053	2	Plug, Shaft
10	3306-787	1	Plug, Head	33	3303-044	8	Cotter, Valve
11	0830-139	2	O-Ring	34	0809-142	4	Retainer, Spring
12	3303-383	4	Screw, Cap	35	0809-140	4	Spring, Valve
13	0808-111	1	Cap, Inspection	36	0809-190	4	Seal, Oil
14	0217-705	1	Spark Plug - NGK CR8E	37	0809-141	4	Seat, Spring
15	3323-228	1	Manifold, Intake (inc. 16)	38	0809-188	2	Valve, Intake
16	3323-145	1	● O-Ring	39	0809-189	2	Valve, Exhaust
17	3304-189	2	Screw, Machine	40	0826-062	2	Screw, Cap
18	3306-151	1	Insert, Intake Manifold	41	0826-061	2	Screw, Cap
19	0423-380	1	Clamp	42	0828-044	4	Washer
20	0809-287	1	Camshaft	43	0827-019	2	Bolt, Stud
21	0809-165	1	C-Ring	44	3303-332	2	Nut
22	0809-166	1	Sprocket	45	0829-013	2	Pin, Dowel
23	0829-036	1	Pin, Alignment	46	3303-656	1	Plug, Oil Gallery



REED VALVE ASSEMBLY

0747-989

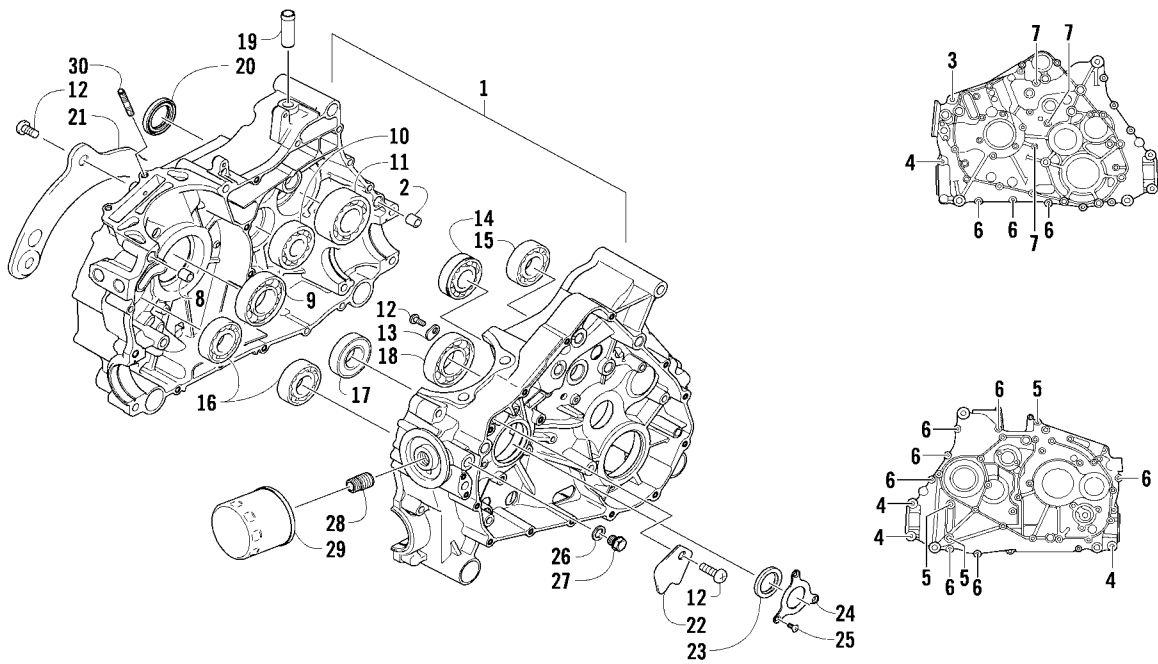
Ref	Part No.	New Qty	Description	Ref	Part No.	New Qty	Description
1	0808-186	1	Cap, Inspection - Reed Valve	11	3304-654	2	Nut, Lock
2	0808-187	1	Cover, Reed Valve	12	3313-737	1	Duct, Air
3	3305-587	1	Valve, Reed	13	3304-167	1	Clamp
4	0808-188	1	Body, Reed Valve	14	3303-712	2	Clamp
5	3303-362	1	Screw, Cap	15	3313-734	1	Vacuum, Air - Assembly
6	0830-190	1	Gasket	16	3305-355	1	Mount, Air Vacuum
7	3313-595	1	Pipe, Air	17	3313-736	1	Duct, Air
8	3303-363	2	Screw, Cap	18	3313-735	1	Hose Assembly (inc. 19)
9	3303-732	1	Gasket	19	3304-161	2	● Clamp, Hose
10	3304-114	2	Bolt, Stud				



CAM CHAIN ASSEMBLY

0743-029

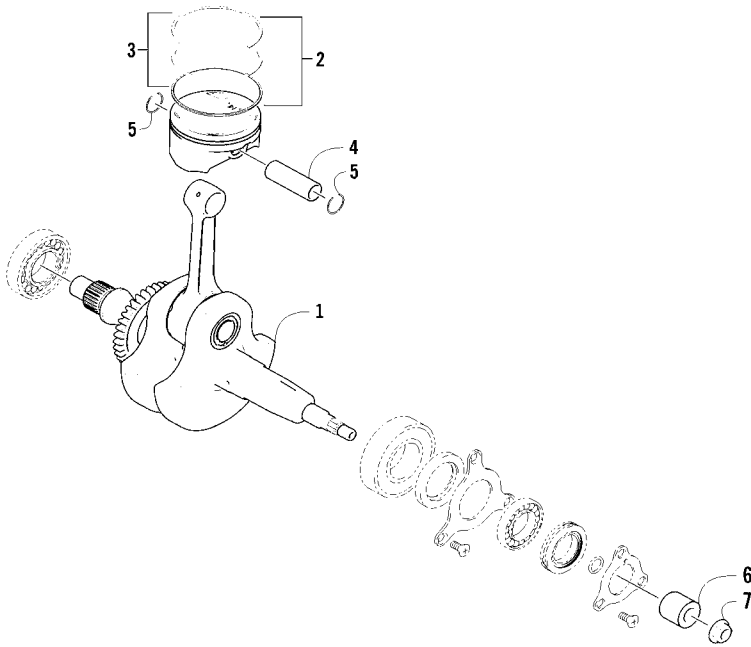
Ref	Part No.	New Qty	Description	Ref	Part No.	New Qty	Description
1	0810-005	1	Chain, Cam	7	0810-056	1	● Spring
2	0810-006	1	Guide, Chain	8	0810-061	1	● Plug
3	0810-007	1	Tensioner, Chain	9	0810-062	1	● Washer
4	0826-133	1	Pivot, Tensioner	10	0830-060	1	Gasket
5	0830-150	1	Washer	11	3303-360	2	Screw, Cap
6	0810-054	1	Adjuster, Tensioner - Assembly (inc. 7-9)				



CRANKCASE ASSEMBLY

0744-254

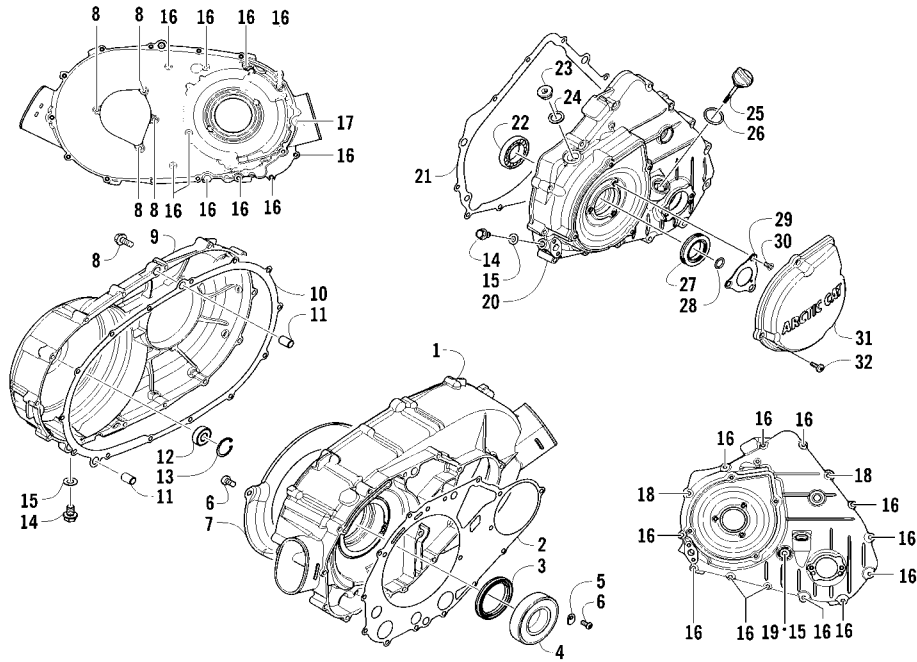
Ref	Part No.	New Qty	Description	Ref	Part No.	New Qty	Description
1	0801-021	1	Crankcase - Assembly (inc. 2-4)	16	0832-022	2	Bearing
2	0829-050	2	● Pin, Dowel	17	0832-020	1	Bearing
3	3303-372	1	● Screw, Cap	18	0832-019	1	Bearing
4	0826-126	4	● Screw, Cap	19	0801-027	1	Tube, Vent - Crankcase
5	0826-064	3	Screw, Cap	20	0830-066	1	Seal
6	3303-387	10	Screw, Cap	21	0801-018	1	Plate, Oil Guide - Right
7	0826-065	3	Screw, Cap	22	0801-019	1	Plate, Oil Guide - Left
8	0829-046	2	Pin, Dowel	23	0830-058	1	Seal
9	0832-087	1	Bearing	24	0805-018	1	Retainer
10	3304-198	1	Bearing	25	0826-145	3	Screw, Machine
11	0832-074	1	Bearing	26	0830-143	1	Gasket
12	0826-144	6	Screw, Machine	27	0835-004	1	Plug, Oil Pressure
13	0822-104	2	Retainer, Bearing	28	0812-066	1	Union, Oil Filter
14	3304-195	1	Bearing	29	0812-034	1	Filter, Oil
15	3304-699	1	Bearing	30	3313-721	2	Bolt, Stud



CRANKSHAFT AND PISTON ASSEMBLY

0745-882

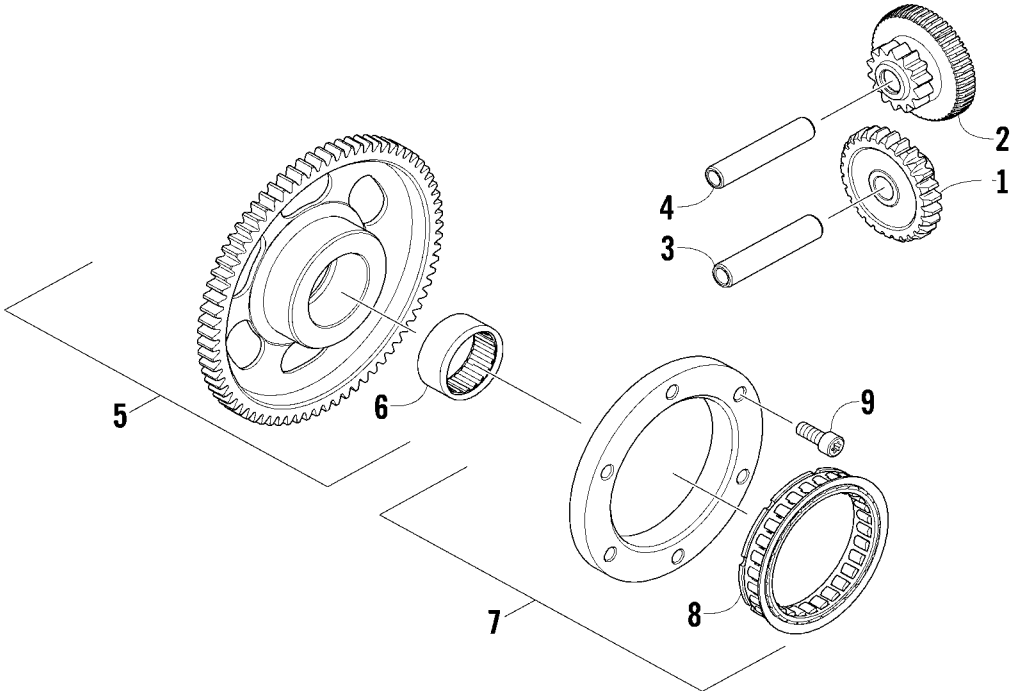
Ref	Part No.	New Qty	Description	Ref	Part No.	New Qty	Description
1	0805-013	1	Crankshaft Assembly	5	0831-060	2	● Circlip
2	0805-169	1	Piston Set (inc. 3-5)	6	0820-064	1	Bushing
3	0805-170	1	● Ring, Piston - Set	7	3303-333	1	Nut
4	0805-023	1	● Pin, Piston				



CLUTCH/V-BELT/MAGNETO COVER ASSEMBLY

0745-883

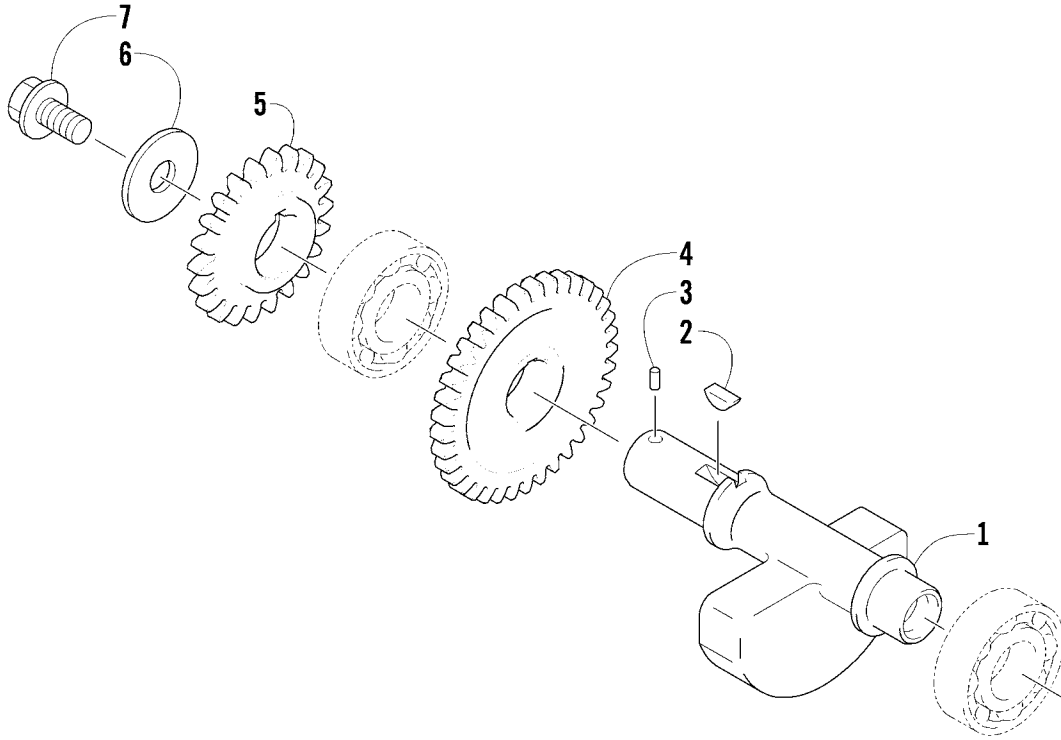
Ref	Part No.	New Qty	Description	Ref	Part No.	New Qty	Description
1	0806-026	1	Cover, Clutch	17	0826-066	1	Screw, Cap
2	0830-055	1	Gasket	18	3304-191	2	Screw, Cap
3	0830-157	1	Seal, Clutch Housing	19	0826-068	1	Screw, Cap
4	0832-071	1	Bearing	20	0806-028	1	Cover, Magneto
5	0822-104	2	Retainer, Bearing	21	0830-057	1	Gasket, Magneto Cover
6	0826-144	5	Screw, Machine	22	0832-053	1	Bearing
7	0806-103	1	Plate, Air Intake	23	0806-099	1	Plug
8	3303-386	18	Screw, Cap	24	0830-141	1	Washer, Crush
9	0806-027	1	Cover, V-Belt	25	0806-029	1	Stick, Oil Level (inc. 26)
10	0830-056	1	Gasket, V-Belt Cover	26	3304-102	1	● O-Ring, Oil Level Stick
11	0829-046	6	Pin, Dowel	27	0837-015	1	Seal
12	0832-023	1	Bearing	28	0830-153	1	O-Ring
13	3303-347	1	Circlip	29	0805-178	1	Retainer, Oil Seal
14	3303-365	2	Plug, Drain	30	0826-145	3	Screw, Machine
15	3303-591	3	Gasket, Drain Plug	31	0820-066	1	Cover, Magneto - Outer
16	3304-903	22	Screw, Cap	32	3303-617	4	Screw, Machine



STARTER CLUTCH ASSEMBLY

0744-283

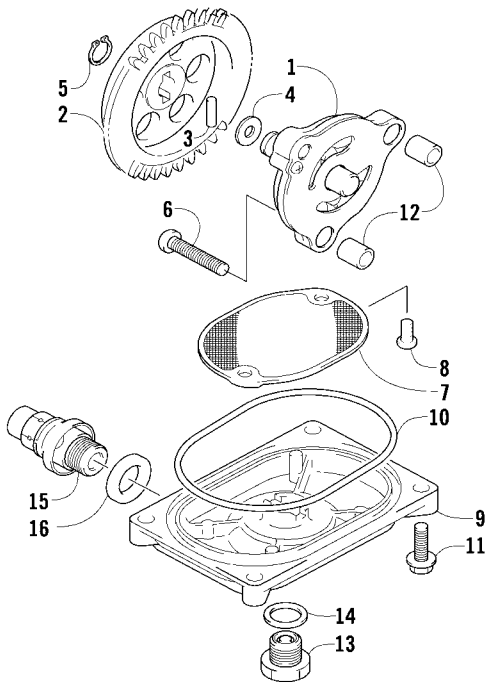
Ref	Part No.	New Qty	Description	Ref	Part No.	New Qty	Description
1	0815-022	1	Gear, Starter Idler - No. 2	6	0832-069	1	● Bearing
2	0815-031	1	Gear, Starter Idler - No. 1	7	0802-044	1	Clutch, One-Way (inc. 8)
3	0815-015	1	Pin, Starter Idler Gear No. 2	8	-	1	● Bearing - Not a Service Part
4	0815-007	1	Pin, Starter Idler Gear No. 1	9	0826-120	6	Screw, Cap
5	0815-023	1	Gear, Starter Clutch (inc. 6)				



CRANK BALANCER ASSEMBLY

0743-027

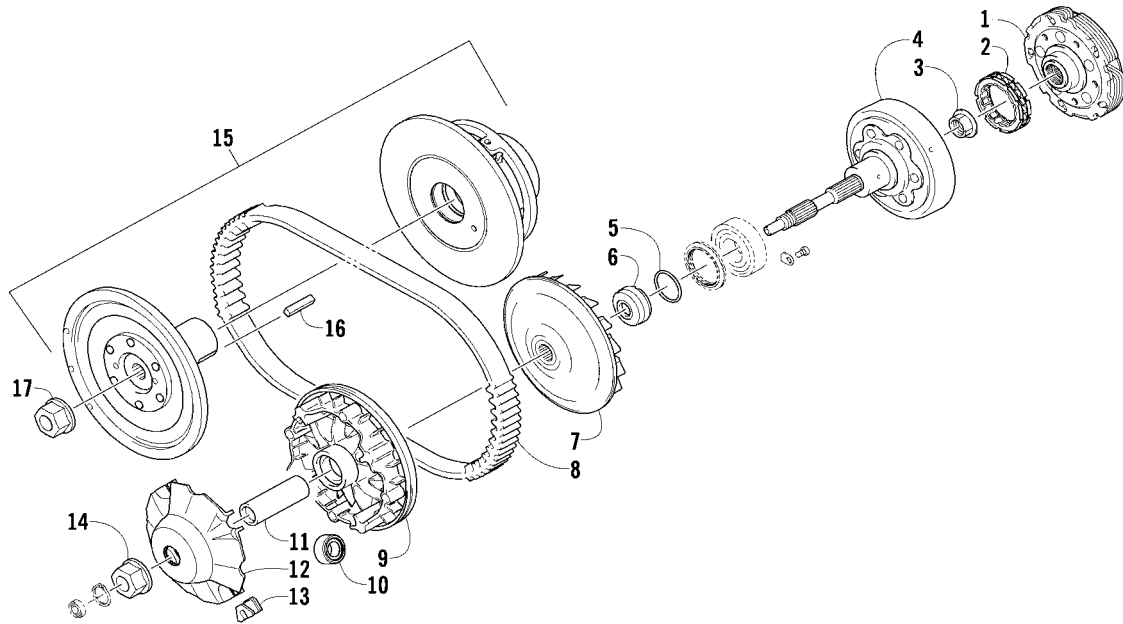
Ref	Part No.	New Qty	Description	Ref	Part No.	New Qty	Description
1	0811-005	1	Balancer, Crank	5	0811-009	1	Gear, Oil Pump Drive
2	0829-037	1	Key	6	0828-091	1	Washer
3	3304-144	1	Pin, Alignment	7	0826-118	1	Screw, Cap
4	0811-006	1	Gear, Driven				



OIL PUMP AND STRAINER ASSEMBLY

0743-030

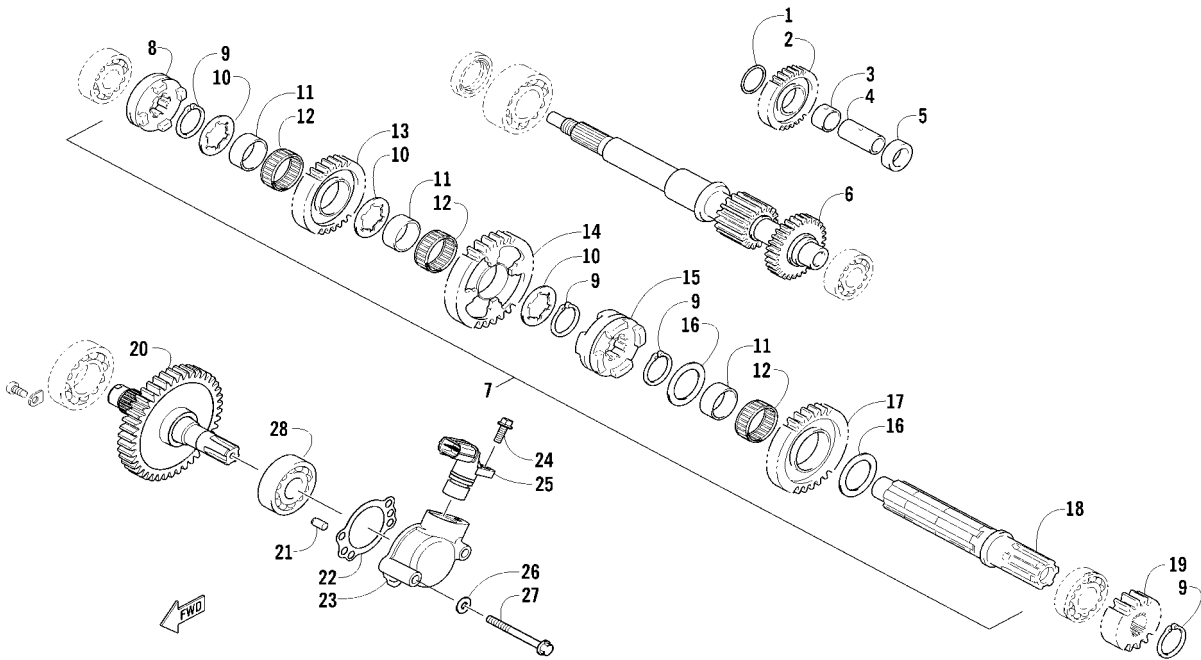
Ref	Part No.	New Qty	Description	Ref	Part No.	New Qty	Description
1	0812-069	1	Pump, Oil	9	0812-038	1	Cap, Oil Strainer
2	0812-010	1	Gear, Driven	10	0830-159	1	O-Ring
3	0812-036	1	Pin, Dowel	11	3303-384	4	Screw, Cap
4	0828-007	1	Washer	12	0829-033	2	Pin, Dowel
5	3304-146	1	Ring, Retaining	13	0812-065	1	Plug, Drain
6	0826-131	3	Screw, Machine	14	0830-143	1	Gasket
7	0812-049	1	Strainer, Oil	15	0812-067	1	Valve, Oil-Relief - Assembly (inc. 16)
8	3313-722	2	Screw, Cap	16	0830-181	1	● O-Ring



TRANSMISSION ASSEMBLY

0744-267

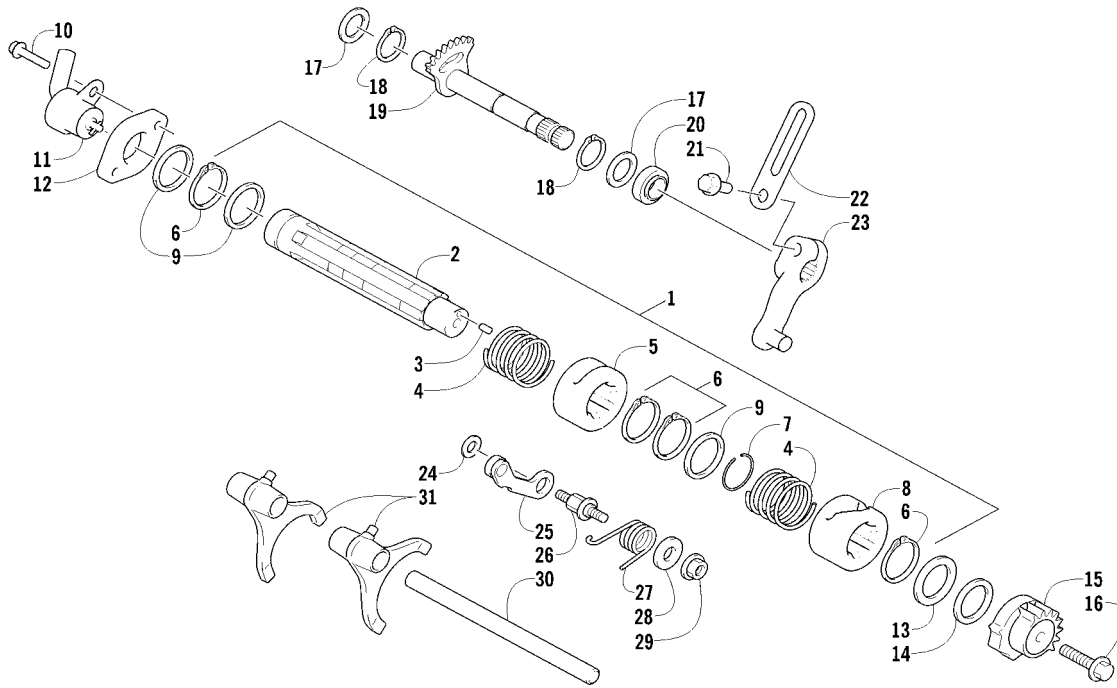
Ref	Part No.	New Qty	Description	Ref	Part No.	New Qty	Description
1	0823-328	1	Shoe, Clutch - Assembly	10	0823-210	8	Roller, Movable Drive Face
2	0823-198	1	Clutch, One-Way	11	0823-206	1	Spacer, Movable Drive Face
3	0827-050	1	Nut	12	0823-213	1	Plate, Movable Drive Face
4	0823-338	1	Housing, Clutch	13	0823-214	4	Damper, Movable Drive Face
5	0830-187	1	O-Ring	14	3323-165	1	Nut
6	0823-058	1	Spacer	15	0823-294	1	Clutch, Driven - Assembly (inc. 16)
7	0823-313	1	Face, Fixed Drive	16	0835-018	1	● Key
8	0823-228	1	Belt, Drive	17	0827-058	1	Nut
9	0823-324	1	Face, Movable Drive				



SECONDARY TRANSMISSION ASSEMBLY

0745-298

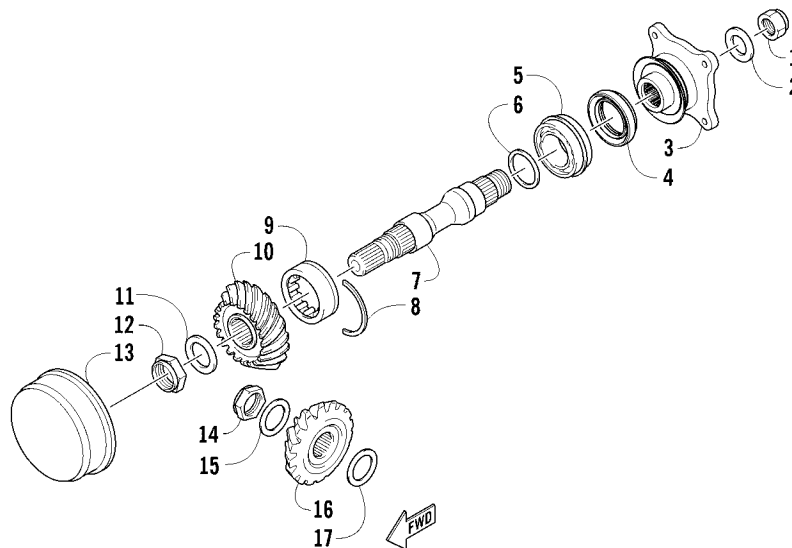
Ref	Part No.	New Qty	Description	Ref	Part No.	New Qty	Description
1	0828-081	1	Washer	15	0822-027	1	● Gear Select, Sliding
2	0822-061	1	Gear, Reverse Idle	16	3304-044	2	● Washer, Thrust
3	0822-065	1	Bushing	17	0822-026	1	● Gear, Driven - High
4	0822-064	1	Shaft, Reverse Idle	18	0822-025	1	● Countershaft
5	0822-029	1	Spacer	19	0822-028	1	Gear, Drive
6	0822-022	1	Driveshaft	20	0822-023	1	Shaft, Output
7	0822-036	1	Countershaft Assembly (inc. 8-18)	21	3303-395	2	Pin, Dowel
8	0822-033	1	● Gear Select, Reverse	22	0830-156	1	Gasket, Housing
9	3304-147	4	● Circlip	23	0822-105	1	Housing, Speedometer Sensor
10	3304-045	3	● Washer	24	3303-382	1	Screw, Cap
11	0822-062	3	● Bushing	25	3313-172	1	Sensor, Speedometer
12	0832-038	3	● Bearing	26	0830-155	2	Gasket
13	0822-032	1	● Gear, Reverse Driven	27	3303-387	2	Screw, Cap
14	0822-063	1	● Gear, Driven - Low	28	3304-198	1	Bearing



GEAR SHIFTING ASSEMBLY

0745-299

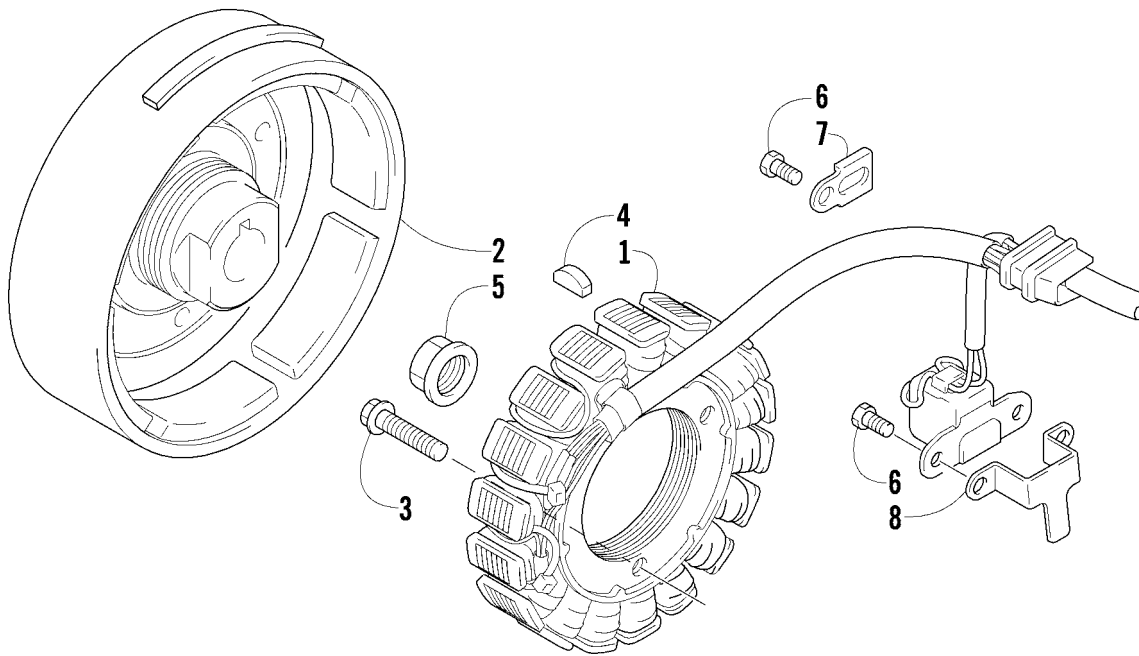
Ref	Part No.	New Qty	Description	Ref	Part No.	New Qty	Description
1	0818-126	1	Shaft, Gear Shift - Assembly (inc. 2-8 and two No. 9)	16	3304-569	1	Screw, Cap
2	0818-125	1	● Shaft, Gear Shift	17	0828-084	2	Washer
3	3304-439	1	● Pin, Dowel	18	0831-056	2	Ring, Retaining
4	0818-060	2	● Spring	19	0818-113	1	Shaft, Sub-Gear Shift (inc. 18)
5	0818-116	1	● Cam, Reverse	20	0830-179	1	Seal
6	3304-147	4	● Circlip	21	3304-551	1	Screw, Cap
7	0831-016	1	● C-Ring	22	1623-984	1	Clamp, Wire - Optional
8	0818-117	1	● Cam, Gear Shift	23	3306-316	1	Arm, Select
9	0828-079	3	● Washer	24	0828-083	1	Washer
10	3303-252	2	Screw, Cap	25	0818-084	1	Stopper, Cam
11	3306-395	1	Switch, Gear Shift Position	26	0818-062	1	Support, Cam Stopper
12	0818-073	1	Spacer, Speed Sensor	27	0818-020	1	Spring
13	0828-081	1	Washer, Thrust	28	0828-082	1	Washer
14	0828-080	1	Washer, Thrust	29	3304-654	1	Nut, Lock
15	0818-061	1	Plate, Gear Shift Cam	30	0818-021	1	Shaft, Shift Fork
				31	0818-088	2	Fork, Shift



SECONDARY DRIVE ASSEMBLY

0745-309

Ref	Part No.	New	Qty	Description	Ref	Part No.	New	Qty	Description
1	3306-428		1	Nut	10	0819-019		1	Gear, Secondary Driven
2	3306-226		1	Washer	11	0828-090		1	Washer
3	0819-022		1	Flange, Output Joint	12	0827-022		1	Nut
4	0830-144		1	Seal, Oil	13	0819-108		1	Plug
5	0832-041		1	Bearing	14	0827-047		1	Nut
6	3305-955	AR		Shim, 25 x 34 x 0.60mm	15	3304-042		1	Washer, Thrust
	3305-956	AR		Shim, 25 x 34 x 0.65mm	16	0819-018		1	Gear, Secondary Drive
	3305-957	AR		Shim, 25 x 34 x 0.70mm	17	3306-009	AR		Shim, 30 x 48 x 0.60 mm
	3305-958	AR		Shim, 25 x 34 x 0.75mm		3306-010	AR		Shim, 30 x 48 x 0.65 mm
	3305-959	AR		Shim, 25 x 34 x 0.80mm		3306-011	AR		Shim, 30 x 48 x 0.70 mm
	3305-960	AR		Shim, 25 x 34 x 0.85mm		3306-012	AR		Shim, 30 x 48 x 0.75 mm
	3305-961	AR		Shim, 25 x 34 x 0.90mm		3306-013	AR		Shim, 30 x 48 x 0.80 mm
	3305-962	AR		Shim, 25 x 34 x 0.95mm		3306-014	AR		Shim, 30 x 48 x 0.85 mm
	3305-963	AR		Shim, 25 x 34 x 1.00mm		3306-015	AR		Shim, 30 x 48 x 0.90 mm
	3305-964	AR		Shim, 25 x 34 x 1.05mm		3306-016	AR		Shim, 30 x 48 x 0.95 mm
	3305-965	AR		Shim, 25 x 34 x 1.10mm		3306-017	AR		Shim, 30 x 48 x 1.00 mm
	0828-088	AR		Shim, 25 x 34 x 1.15mm		3306-018	AR		Shim, 30 x 48 x 1.05 mm
	3305-966	AR		Shim, 25 x 34 x 1.20mm		3306-019	AR		Shim, 30 x 48 x 1.10 mm
	3305-967	AR		Shim, 25 x 34 x 1.25mm		3306-020	AR		Shim, 30 x 48 x 1.15 mm
7	0819-021		1	Shaft, Secondary Driven		3306-021	AR		Shim, 30 x 48 x 1.20 mm
8	0819-070		1	C-Ring		3306-022	AR		Shim, 30 x 48 x 1.25 mm
9	0832-040		1	Bearing					



MAGNETO ASSEMBLY

0743-035

Ref	Part No.	New	Qty	Description	Ref	Part No.	New	Qty	Description
1	3323-200	1	1	Stator Assembly	5	3306-705	1	1	Nut
2	3323-164	1	1	Rotor/Flywheel	6	3303-308	3	3	Screw, Cap
3	3305-945	3	3	Screw, Cap	7	0802-003	1	1	Clamp
4	0829-039	1	1	Key	8	0802-004	1	1	Clamp

