

2014 ARCTIC CAT[®]

ILLUSTRATED PARTS MANUAL



450 EFT

Model Number A2014IRK4CETR

ARCTIC CAT[®]
SHARE OUR PASSION.™

www.arcticcat.com

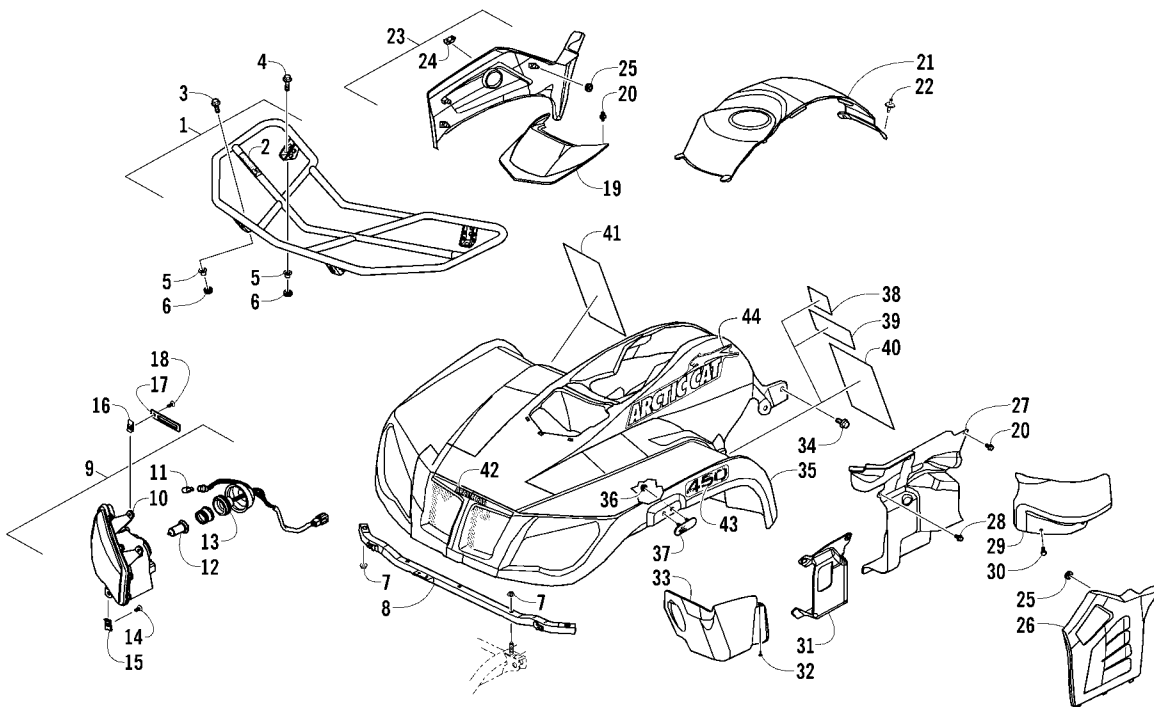
TABLE OF CONTENTS

2014 450 EFT

(Model No. A2014IRK4CETR)

FRONT RACK, BODY PANEL, AND HEADLIGHT ASSEMBLIES	1
REAR BODY, RACK, AND TAILLIGHT ASSEMBLY	2
FRAME AND RELATED PARTS	3
WINCH ASSEMBLY	4
LICENSE PLATE HOLDER ASSEMBLY	5
SEAT ASSEMBLY	6
STEERING ASSEMBLY	7
HANDLEBAR ASSEMBLY	8
INSTRUMENT POD ASSEMBLY	9
FRONT SUSPENSION ASSEMBLY	10
REAR SUSPENSION ASSEMBLY	11
WHEEL AND TIRE ASSEMBLY	12
HYDRAULIC BRAKE ASSEMBLY	13
PARKING BRAKE ASSEMBLY	14
GAS TANK ASSEMBLY	15
SHIFT LEVER ASSEMBLY	16
AIR INTAKE ASSEMBLY	17
ENGINE AND EXHAUST	18
COOLING ASSEMBLY	19
CASE/BELT COOLING ASSEMBLY	20
DRIVE TRAIN ASSEMBLY	21
FRONT DRIVE GEARCASE ASSEMBLY	22
REAR DRIVE GEARCASE ASSEMBLY	23
WIRING HARNESS ASSEMBLY	24
BATTERY AND STARTER ASSEMBLY	25
THROTTLE BODY ASSEMBLY	26
CYLINDER ASSEMBLY	27
CYLINDER HEAD AND CAMSHAFT/VALVE ASSEMBLY	28
CAM CHAIN ASSEMBLY	29
CRANKCASE ASSEMBLY	30
CRANKSHAFT, BALANCER, STARTER GEAR, AND PISTON ASSEMBLIES	31
CLUTCH/DRIVE BELT/MAGNETO COVER ASSEMBLY	32
OIL PUMP AND STRAINER ASSEMBLY	33
WATER PUMP ASSEMBLY	34
CLUTCH AND DRIVE BELT ASSEMBLY	35
SECONDARY TRANSMISSION ASSEMBLY	36
GEAR SHIFTING ASSEMBLY	37
SECONDARY DRIVE ASSEMBLY	38
MAGNETO ASSEMBLY	39

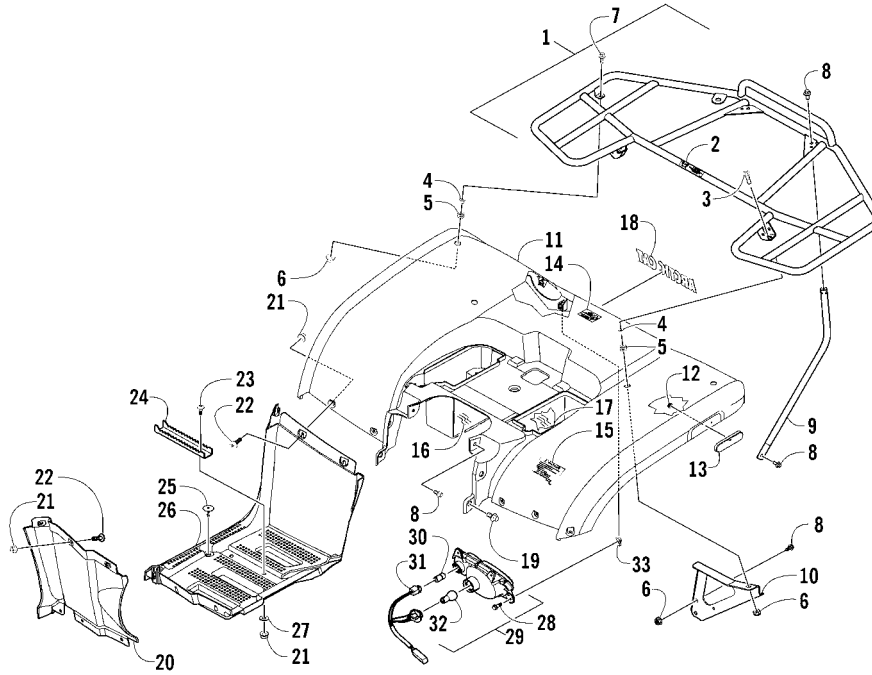
■ **NOTE:** The illustrations used in this Parts Manual are for reference to replacement part numbers only and are not to be used for assembly. For assembly procedures, use an Arctic Cat Service Manual. For a complete list of related items, refer to the current accessory catalog.



FRONT RACK, BODY PANEL, AND HEADLIGHT ASSEMBLIES

0747-965

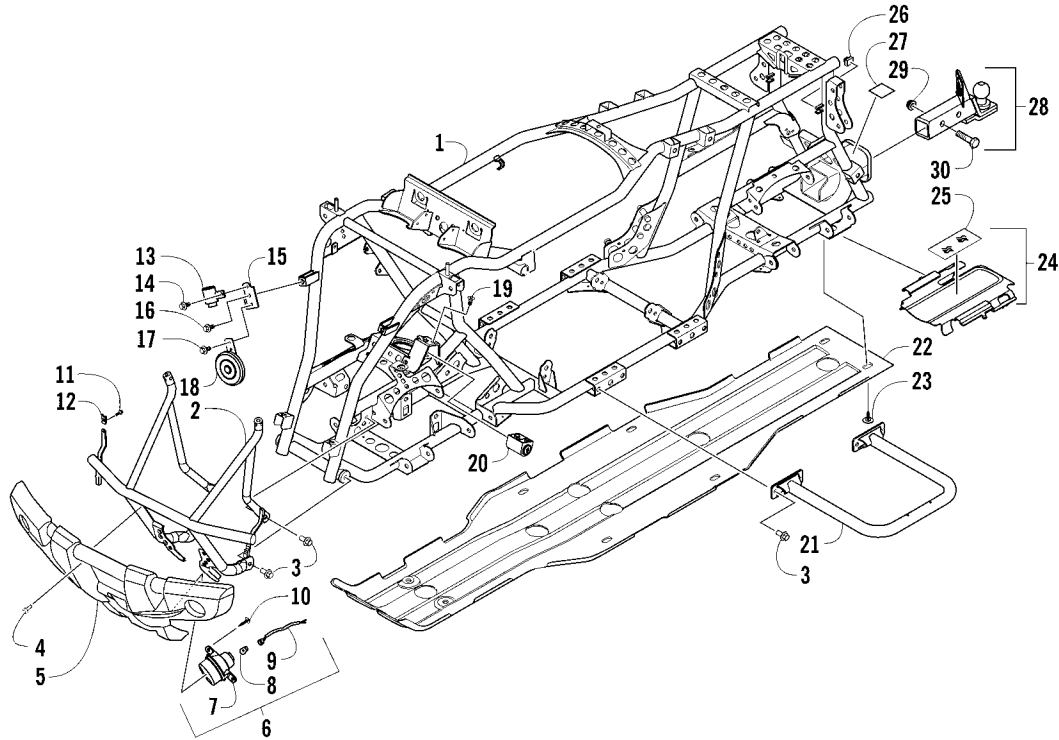
Ref	Part No.	New Qty	Description	Ref	Part No.	New Qty	Description
1	3306-330	1	Rack, Front - Assembly (inc. 2)	24	3306-307	1	● Plug, Access
2	1411-681	1	● Decal, Warning - Load	25	0423-678	10	Grommet
3	3313-713	2	Screw, Cap	26	3313-667	1	Panel, Side - Lower - Left
4	3313-522	2	Screw, Cap	27	3306-284	1	Panel, Splash - Rear Right
5	0423-669	4	Spacer	31	3306-285	1	Panel, Splash - Rear Left
6	0423-465	4	Grommet	28	3305-448	4	Clip, Retaining
7	3304-668	4	Nut, Lock	29	3313-844	1	Protector, Hose
8	3306-331	1	Tube, Mounting	30	3304-587	2	Screw, Cap
9	3306-268	1	Headlight - Assembly - Right (inc. 10-13)	31	3306-286	1	Panel, Splash - Front Right
	3306-269	1	Headlight - Assembly - Left (inc. 10-13)	32	3306-353	1	Panel, Splash - Front Left
10	3306-270	1	● Lens, Headlight - Right	33	3304-650	3	Screw, Self-Tapping
	3306-271	1	● Lens, Headlight - Left	33	3313-754	1	Shield, Linkage
11	3303-847	2	● Bulb	34	3305-783	2	Screw, Cap
12	3303-846	2	● Bulb, Headlight	35	3306-283	1	Panel, Fender - Front - Red
13	3306-272	2	● Harness, Headlight	36	3304-774	2	Nut, Lock
14	3304-586	2	Screw, Cap	37	3313-359	2	Reflector - Amber
15	3303-267	2	Clip, U-Nut	38	0411-835	1	Decal, Warning - Turn/Hill
16	3304-061	4	Clip, U-Nut	39	1411-804	1	Decal, Warning - Age
17	3304-157	2	Clamp, Routing	40	3304-806	1	Decal, Warning - General
18	3304-029	4	Screw, Cap	41	1411-250	1	Decal, Warning - Reverse/Pre-Ride
19	3306-404	1	Cover, Access - Black	42	2411-465	1	Decal, "Arctic Cat"
20	3303-592	4	Clip, Retaining	43	3411-613	X 2	Decal, "450"
21	3306-280	1	Cover, Gas Tank - Red	44	3411-406	X 1	Decal, Side - Upper Right
22	3304-057	2	Clip, Retaining		3411-407	X 1	Decal, Side - Upper Left
23	3313-857	1	Panel, Side - Lower - Right (inc. 24)				



REAR BODY, RACK, AND TAILLIGHT ASSEMBLY

0747-966

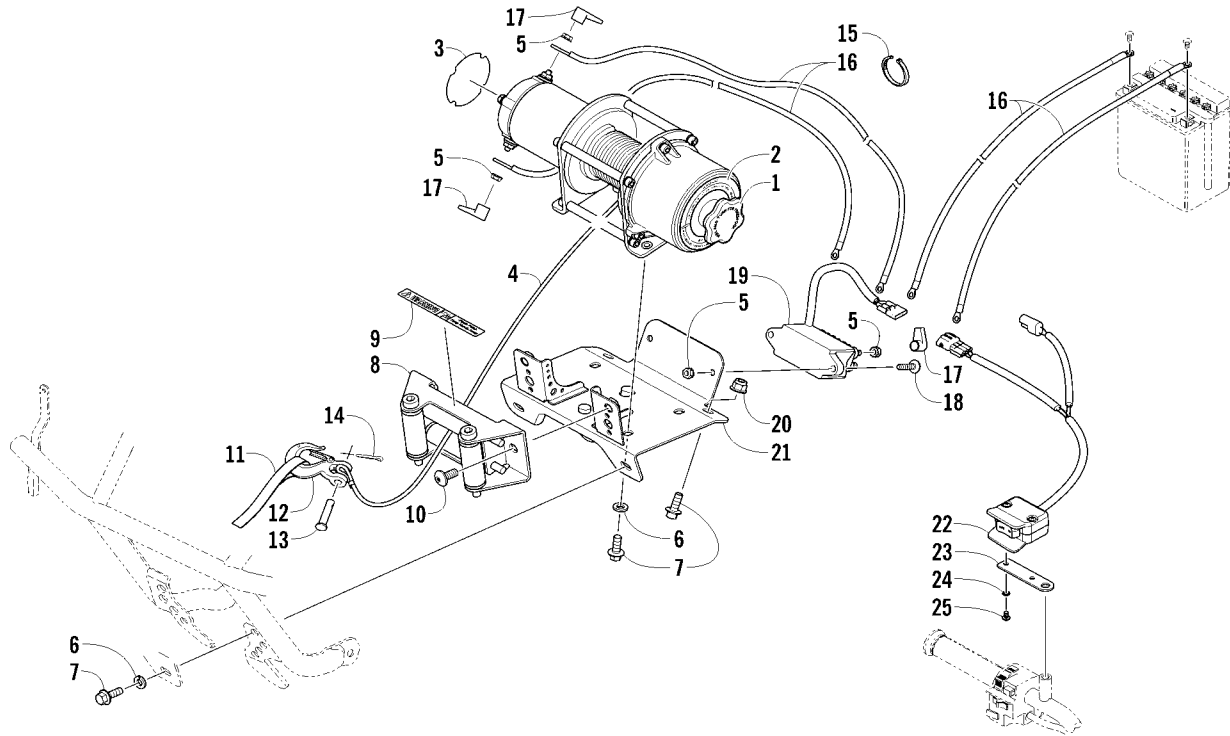
Ref	Part No.	New	Qty	Description	Ref	Part No.	New	Qty	Description
1	3306-759		1	Rack, Rear - Assembly (inc. 2)	19	3305-783		2	Screw, Cap
2	1411-682		1	● Decal, Warning - Load	20	3313-760		1	Footwell - Front - Right
3	8410-830		2	Screw, Cap		3313-668		1	Footwell - Front - Left
4	0423-669		4	Spacer	21	3304-431		22	Nut, Lock
5	0423-465		4	Grommet	22	3305-703		18	Screw, Machine
6	3304-668		8	Nut, Lock	23	3304-586		4	Screw, Cap
7	3313-522		2	Screw, Cap	24	5506-497	X	2	Footpeg
8	3304-543		8	Screw, Cap	25	0423-545		2	Screw, Shoulder
9	3313-449		2	Tube, Mounting	26	3313-762		1	Footwell - Rear - Right
10	3313-352		1	Bracket, Mounting - Rear Rack - Right		3313-763		1	Footwell - Rear - Left
	3313-353		1	Bracket, Mounting - Rear Rack - Left	27	3305-852		4	Washer
11	3306-306		1	Panel, Fender - Rear - Red	28	3304-029		8	Screw, Cap
12	3304-774		2	Nut, Lock	29	3313-392		1	Taillight Assembly - Right (inc. 30-32)
13	3313-359		2	Reflector - Amber		3313-393		1	Taillight Assembly - Left (inc. 30-32)
14	1411-809		1	Decal, Warning - Passenger	30	3313-506		2	● Bulb
15	1411-893		1	Decal, Warning - Tire Pressure	31	3313-509		1	● Socket, Taillight - Assembly - Right
16	3313-674		1	Foil, Protective - Right		3313-507		1	● Socket, Taillight - Assembly - Left
17	3313-675		1	Foil, Protective - Left	32	3303-849		2	● Bulb, Taillight
18	2411-465		1	Decal, "Arctic Cat"	33	3304-061		8	Clip, U-Nut



FRAME AND RELATED PARTS

0745-891

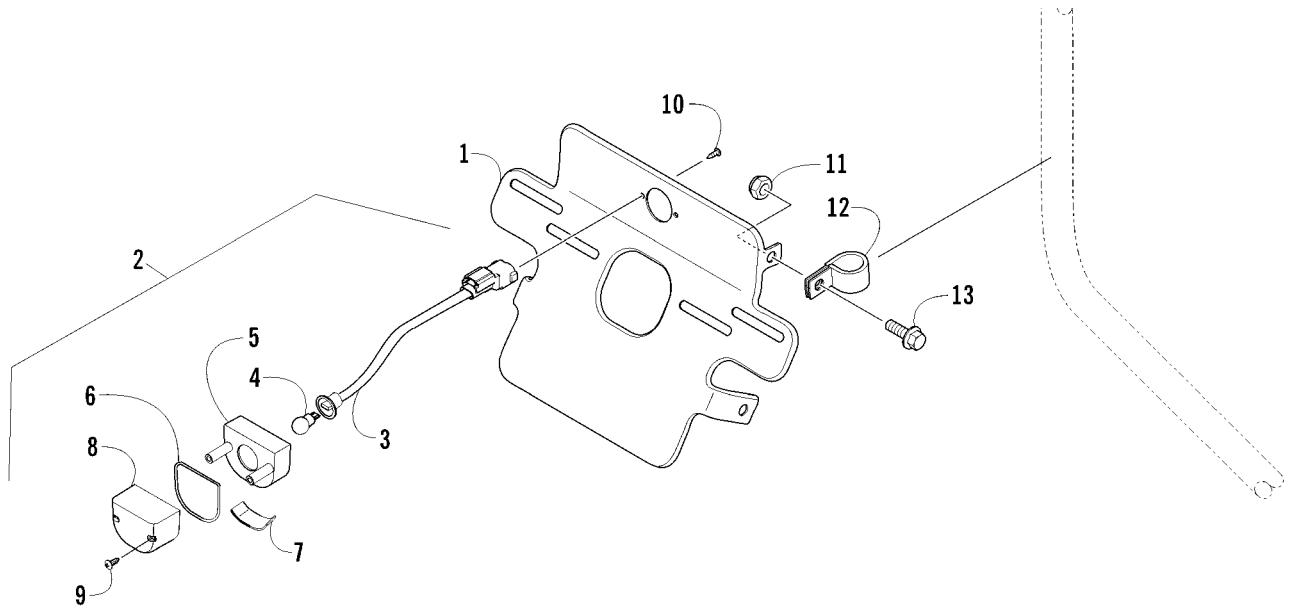
Ref	Part No.	New Qty	Description	Ref	Part No.	New Qty	Description
1	3306-373	1	Frame, Main	15	3306-812	1	Bracket, Mounting - Electrical
2	3306-332	1	Bumper - Front	16	3304-544	1	Screw, Cap
3	3304-543	12	Screw, Cap	17	3304-553	1	Screw, Cap
4	3304-587	4	Screw, Cap	18	3313-576	1	Horn, Electric - 12V
5	3306-352	1	Fascia, Bumper	19	3305-395	2	Screw, Machine
6	3304-766	1	Turn Signal - Right - Assembly (inc. 7-9)	20	3305-392	1	Lock, Steering
	3304-813	1	Turn Signal - Left - Assembly (inc. 7-9)	21	3313-351	2	Footrest
7	3304-822	1	● Lens - Right	22	3313-755	1	Panel, Belly
	3304-823	1	● Lens - Left	23	0423-545	10	Screw, Shoulder
8	3304-825	2	● Bulb	24	3313-596	1	Shield, Gearcase (inc. 25)
9	3305-359	1	● Harness - Right	25	3306-582	1	● Foil, Protective
	3305-360	1	● Harness - Left	26	3306-329	2	Cushion
10	3304-645	4	Screw, Self-Tapping	27	1411-077	1	Decal, Warning - Towing
11	3304-586	2	Screw, Cap	28	0541-857	1	Mount, Ball Hitch (inc. 29-30)
12	3303-267	2	Clip, U-Nut	29	0423-690	1	● Nut, Lock
13	3306-372	1	Relay, Turn Signal	30	0423-693	1	● Screw, Cap
14	3305-344	1	Screw, Cap				



WINCH ASSEMBLY

0745-892

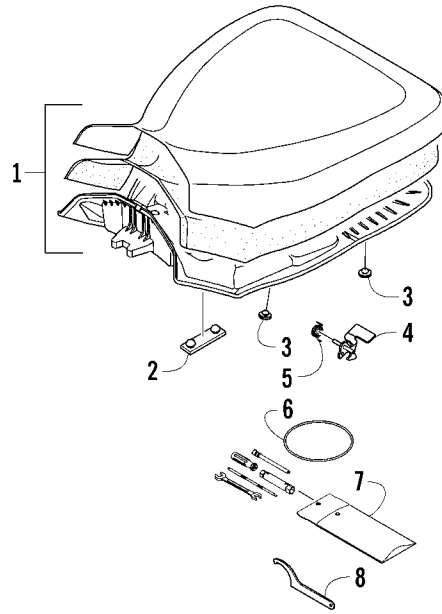
Ref	Part No.	New Qty	Description	Ref	Part No.	New Qty	Description
1	2441-250	1	Winch (inc. 2-4 and two No. 5)	14	0623-175	1	Pin, Cotter
2	2411-141	1	● Decal, Warning - Tension	15	0123-788	AR	Tie, Cable - 8 in.
3	2411-140	1	● Decal, Warning - Operation		0123-903	AR	Tie, Cable - 11.5 in.
4	1441-831	1	● Cable, Winch	16	3306-382	1	Set, Winch Cable
5	0623-038	8	● Nut w/Washer	17	0645-019	3	Boot, Terminal
6	8051-246	6	Washer, Lock	18	8476-625	2	Screw, Machine
7	8408-820	8	Screw, Cap	19	0409-066	1	Solenoid
8	0441-403	1	Roller, Winch (inc. 9)	20	8427-802	2	Nut, Lock
9	0411-474	1	● Decal, Warning - Pinch Point	21	0541-622	1	Plate, Mounting - Winch
10	8468-820	2	Screw, Machine	22	3306-644	1	Switch, Winch - Assembly
11	1441-781	1	Strap	23	0505-551	1	Bracket, Winch Switch
12	1441-833	1	Hook, Winch	24	8052-093	2	Washer, Internal Tooth Lock
13	1441-834	1	Pin	25	8009-243	2	Screw, Machine



LICENSE PLATE HOLDER ASSEMBLY

0744-570

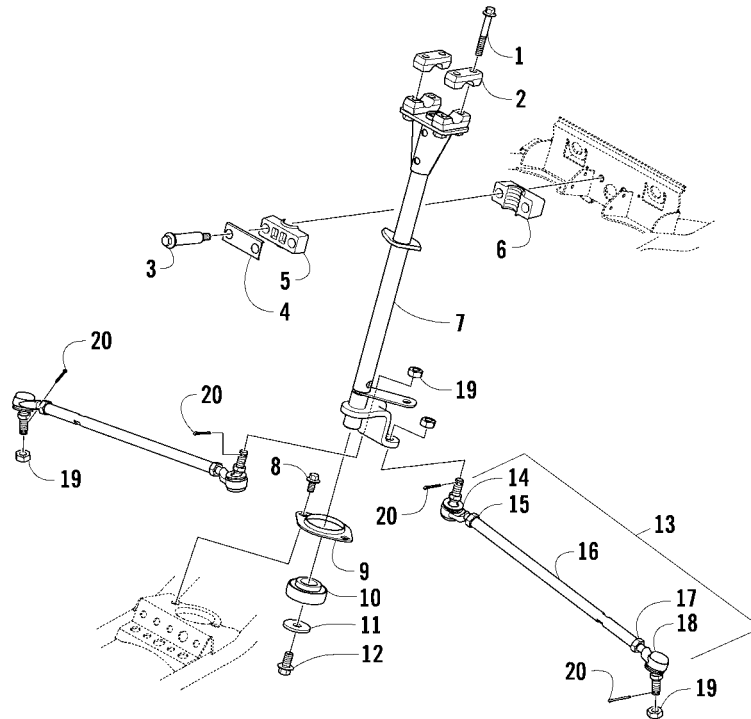
Ref	Part No.	New Qty	Description	Ref	Part No.	New Qty	Description
1	2506-808	1	Holder, License Plate	8	3305-365	1	● Cover
2	3304-772	1	Light Assembly (inc. 3-9)	9	3305-399	2	● Screw, Self-Tapping
3	3305-369	1	● Harness	10	3304-651	2	Screw, Self-Tapping
4	3303-847	1	● Bulb	11	3304-668	4	Nut, Lock
5	3305-367	1	● Base	12	3313-606	4	Clamp
6	3305-366	1	● Seal	13	3304-565	4	Screw, Cap
7	3305-368	1	● Lens				



SEAT ASSEMBLY

0746-216

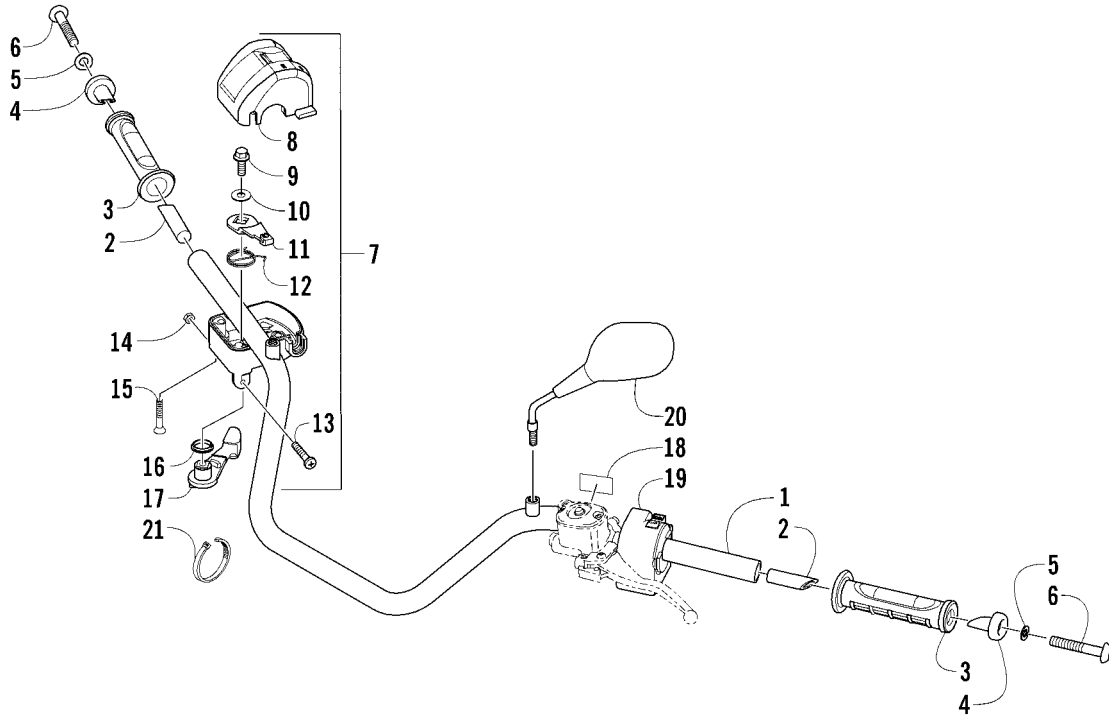
Ref	Part No.	New Qty	Description	Ref	Part No.	New Qty	Description
1	3313-199	1	Seat Assembly (inc. 2-5)	5	1406-592	1	● Spring, Seat Latch
2	3306-673	1	● Bumper, Seat	6	3313-759	1	Retainer, Tool Kit
3	3306-458	6	● Bumper, Seat	7	3305-913	1	Kit, Tool
4	1506-156	1	● Latch, Seat	8	1441-797	1	Wrench, Spanner - Optional



STEERING ASSEMBLY

0744-573

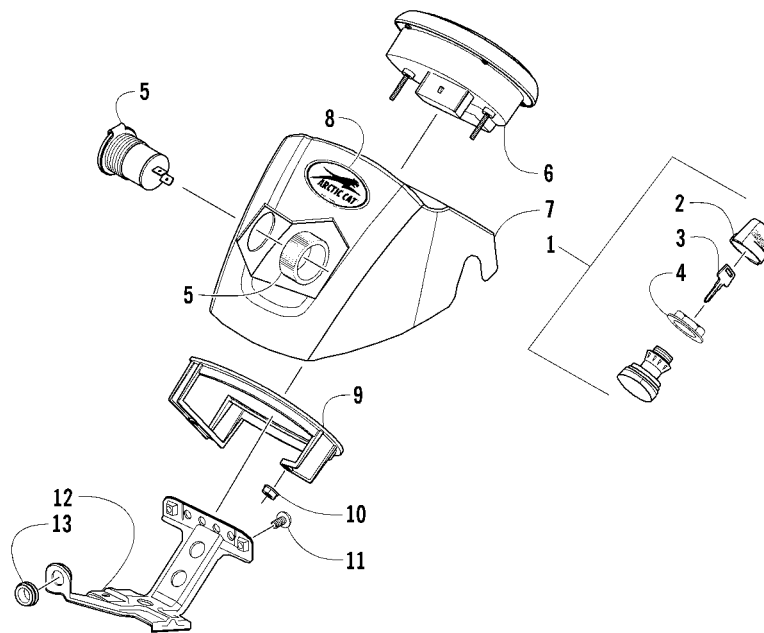
Ref	Part No.	New Qty	Description	Ref	Part No.	New Qty	Description
1	8408-860	4	Screw, Cap	11	0423-073	1	Washer
2	0405-035	2	Cap, Steering Adjuster	12	8408-820	1	Screw, Cap
3	0423-505	2	Screw, Shoulder	13	3306-722	2	Tie Rod - Assembly (inc. 14-18)
4	0405-166	1	Cap, Housing	14	3306-725	2	● End, Tie Rod - Left-Hand Thread
5	3323-052	1	Housing - Upper	15	3306-727	2	● Nut - Left-Hand Thread
6	3323-051	1	Housing - Lower	16	3306-723	2	● Tie Rod
7	3313-583	1	Post, Steering	17	3306-726	2	● Nut - Right-Hand Thread
8	3304-565	2	Screw, Cap	18	3306-724	2	● End, Tie Rod - Right-Hand Thread
9	0602-233	1	Flange, Bearing	19	3306-290	4	Nut
10	0405-052	1	Bearing w/Inverted Oil Seal	20	3305-724	4	Pin, Cotter



HANDLEBAR ASSEMBLY

0746-546

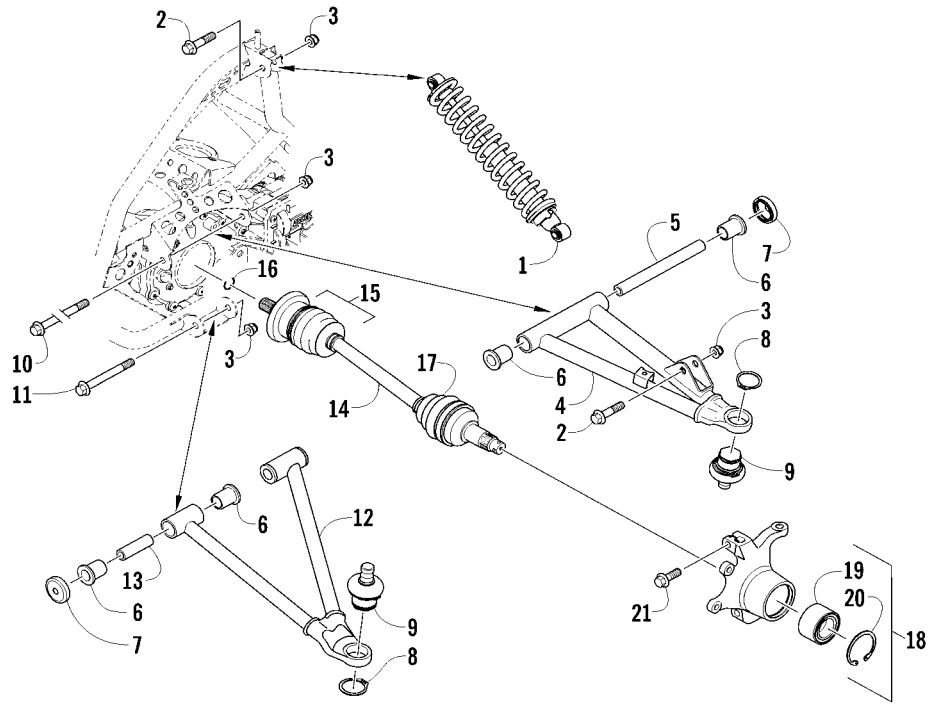
Ref	Part No.	New Qty	Description	Ref	Part No.	New Qty	Description
1	3313-580	1	Handlebar	12	3313-839	1	● Spring
2	0405-148	2	Plug, Handlebar	13	3313-740	1	● Screw, Machine
3	0405-147	2	Grip, Handlebar	14	3305-832	1	● Nut
4	0405-149	2	End Cap, Handlebar	15	3313-741	2	● Screw, Machine
5	8050-247	2	Washer	16	3313-841	1	● Spacer
6	8477-845	2	Screw, Machine	17	3313-842	1	● Lever
7	3306-276	1	Case, Throttle - Assembly (inc. 8-17)	18	1411-865	1	Decal, Brake Lever Lock
8	-	1	● Cover, Throttle Case w/Switch - Not Serviced Individually	19	3313-581	1	Switch, Control - Assembly
9	3305-344	1	● Screw, Cap	20	3304-803	1	Mirror Assembly - Right
10	3313-739	1	● Washer		3304-816	1	Mirror Assembly - Left
11	3313-838	1	● Arm, Throttle	21	3303-839	AR	Tie, Cable



INSTRUMENT POD ASSEMBLY

0747-097

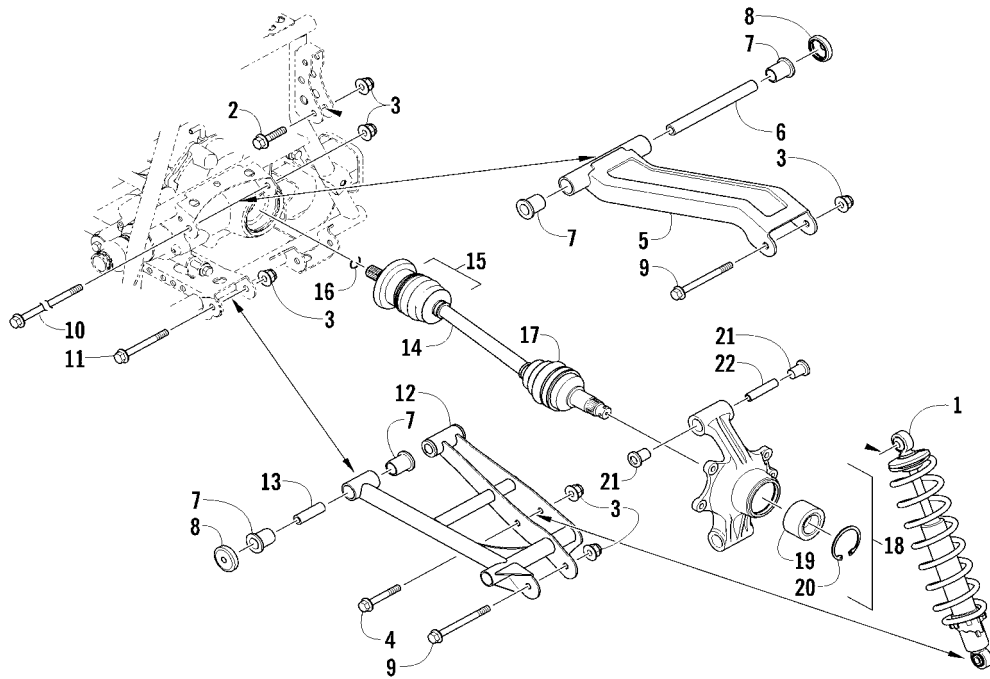
Ref	Part No.	New Qty	Description	Ref	Part No.	New Qty	Description
1	3313-677	1	Switch, Ignition - Assembly (inc. 2-4)	8	9611-751	1	Decal, "Arctic Cat"
2	0430-054	1	● Cover, Key	9	0420-065	1	Bracket, Retaining
3	3409-007	2	● Key, Ignition - Blank - C Series	10	0423-493	2	Nut w/Washer
4	0430-050	1	● Nut, Flange - Ignition Switch	11	3304-404	2	Screw, Cap
5	3313-468	1	Outlet, Accessory - 12V	12	3306-277	1	Bracket, Mounting - Pod (inc. 13)
6	0520-204	1	Speedometer - Assembly	13	3303-239	1	● Grommet
7	3306-278	1	Pod, Instrument - Black				



FRONT SUSPENSION ASSEMBLY

0745-290

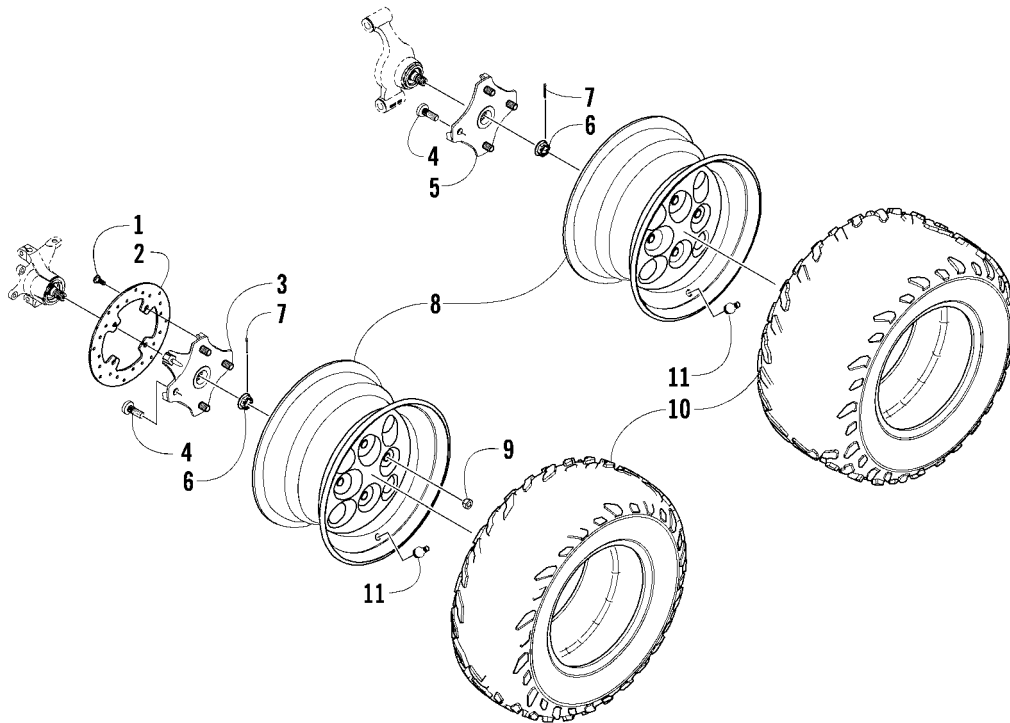
Ref	Part No.	New	Qty	Description	Ref	Part No.	New	Qty	Description
1	3306-865	X	2	Shock/Spring Assembly - Black	13	3313-107		4	● Axle
2	3303-376		4	Screw, Cap	14	3313-831		2	Axle, Drive - Front (inc. 15-17)
3	3304-031		10	Nut, Lock	15	3313-560		2	● Repair Kit, Boot - Drive Axle - Inbound (inc. 16)
4	3306-866	X	1	A-Arm, Upper Right - Black (inc. 5-9)	16	0423-844		2	●● Clip, Retaining
	3306-867	X	1	A-Arm, Upper Left - Black (inc. 5-9)	17	3306-425		2	●● Repair Kit, Boot - Drive Axle - Outbound
5	3313-111		2	● Axle	18	3323-130		1	Knuckle - Assembly - Right (inc. 19-20)
6	3313-112		12	● Bushing		3323-131		1	Knuckle - Assembly - Left (inc. 19-20)
7	3313-113		12	● Seal	19	1402-809		2	● Bearing
8	0423-009		4	● Ring, Retaining	20	0423-423		2	● Ring, Retaining
9	0405-483		4	● Ball Joint	21	3323-127		4	Screw, Cap
10	3313-430		2	Screw, Cap					
11	3304-183		4	Screw, Cap					
12	3313-082		1	A-Arm, Lower Right - Black (inc. 6-9 and 13)					
	3313-083		1	A-Arm, Lower Left - Black (inc. 6-9 and 13)					



REAR SUSPENSION ASSEMBLY

0745-291

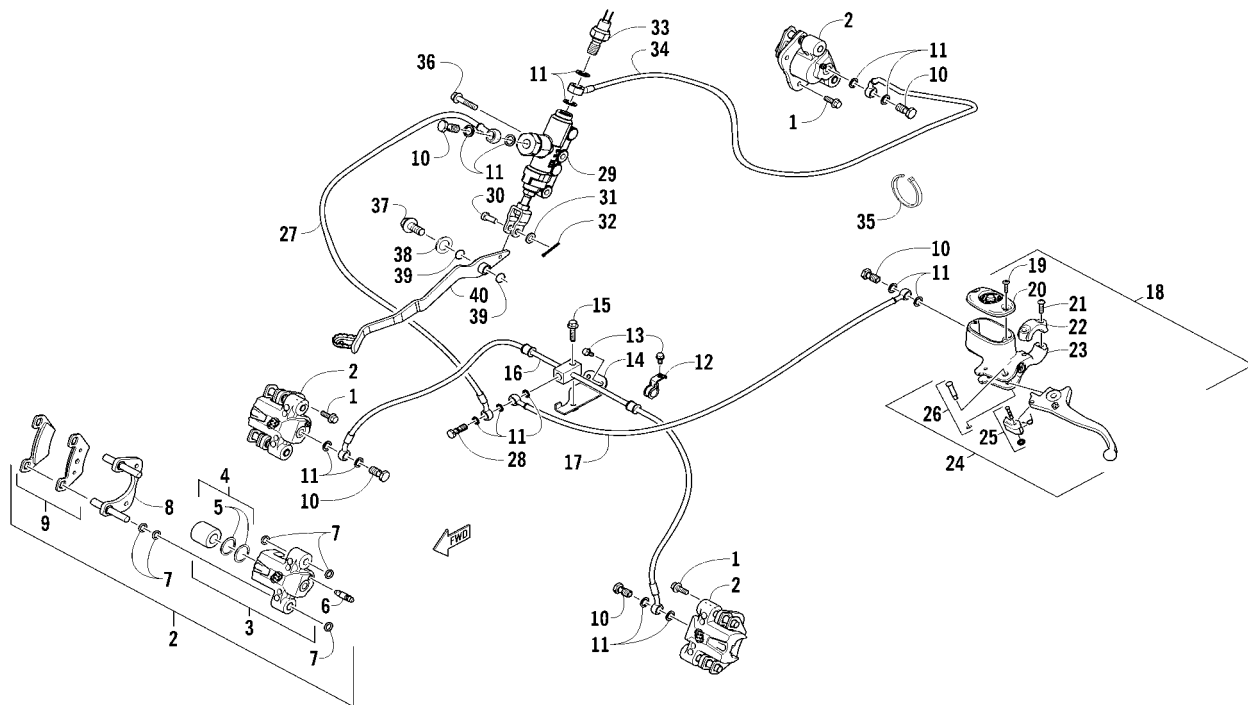
Ref	Part No.	New	Qty	Description	Ref	Part No.	New	Qty	Description
1	3313-150		2	Shock/Spring Assembly - Black	13	3313-107		4	● Axle
2	3303-376		2	Screw, Cap	14	3313-832		2	Axle, Drive (inc. 15-17)
3	3304-031		14	Nut, Lock	15	3313-560		2	● Repair Kit, Boot - Drive Axle - Inbound (inc.16)
4	8409-065		2	Screw, Cap	16	0423-845		2	●● Ring, Retaining
5	3306-872	X	1	A-Arm, Upper Right - Black (inc. 6-8)	17	3306-425		2	● Repair Kit, Boot - Drive Axle - Outbound
	3306-873	X	1	A-Arm, Upper Left - Black (inc. 6-8)	18	3323-108		1	Knuckle - Assembly - Right (inc. 19-22)
6	3313-111		2	● Axle		3323-109		1	Knuckle - Assembly - Left (inc. 19-22)
7	3313-112		12	● Bushing	19	1402-809		2	● Bearing
8	3313-113		12	● Seal	20	0423-423		2	● Ring, Retaining
9	3323-188		4	Screw, Cap	21	0403-206		8	● Bushing
10	3313-430		2	Screw, Cap	22	0403-213		4	● Axle
11	3304-183		4	Screw, Cap					
12	3313-136		1	A-Arm, Lower Right - Black (inc. 7-8 and 13)					
	3313-137		1	A-Arm, Lower Left - Black (inc. 7-8 and 13)					



WHEEL AND TIRE ASSEMBLY

0742-948

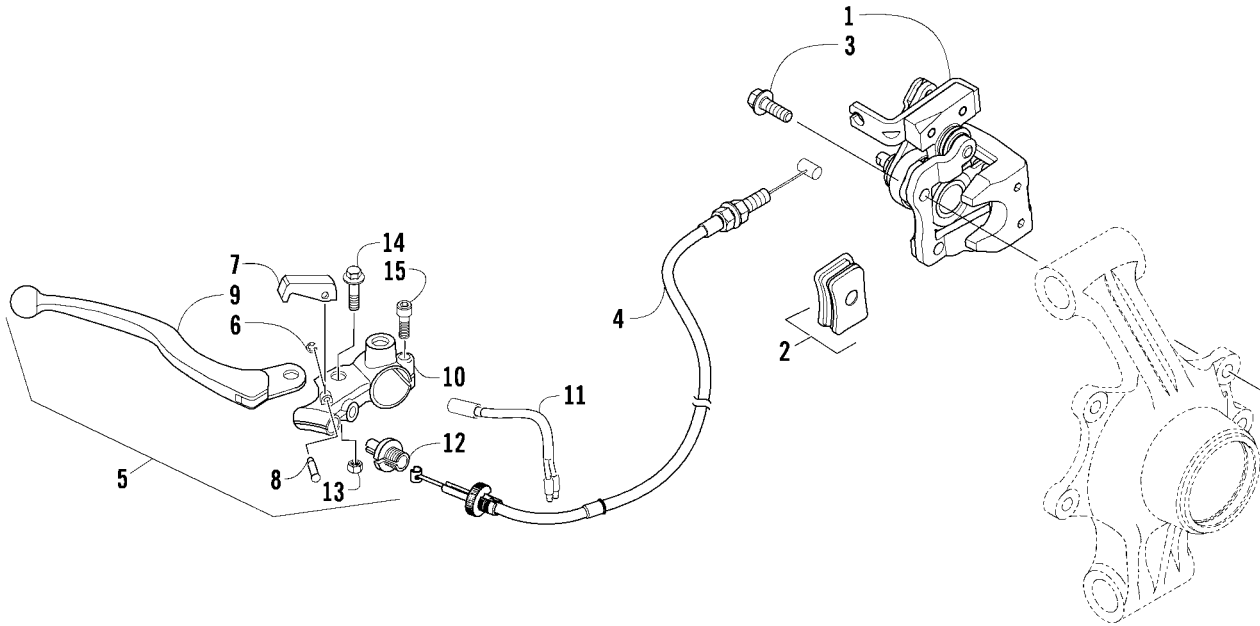
Ref	Part No.	New Qty	Description	Ref	Part No.	New Qty	Description
1	0423-557	12	Screw, Shoulder	7	0423-407	4	Pin, Cotter
2	1436-806	3	Disc, Brake	8	3306-868	X 4	Wheel - Black
3	1502-462	2	Hub, Wheel - Front (inc. 4)	9	3306-464	16	Nut, Lug
4	0402-974	16	● Stud	10	3306-354	2	Tire - Front
5	1502-462	1	Hub, Wheel - Right Rear (inc. 4)	11	3306-355	2	Tire - Rear
6	0423-607	4	Nut, Castle		3303-887	4	Stem, Valve



HYDRAULIC BRAKE ASSEMBLY

0745-303

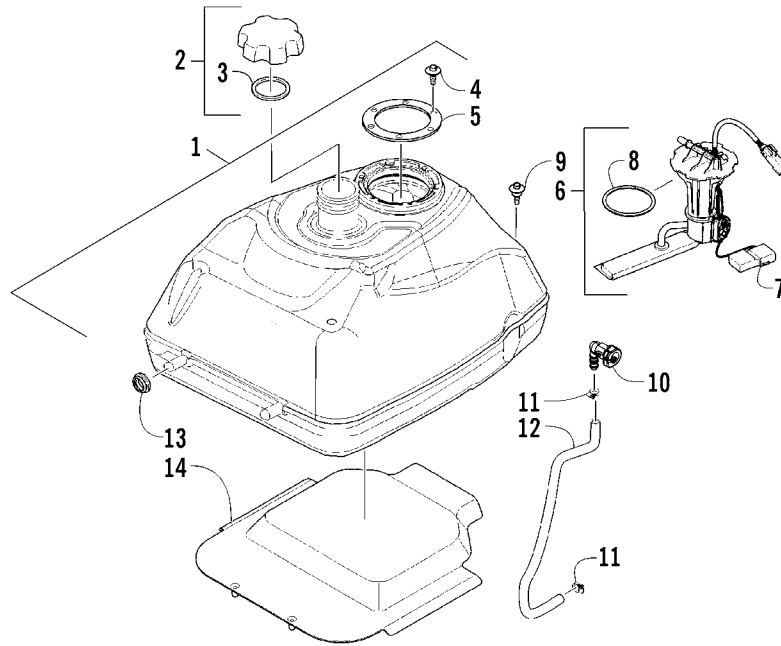
Ref	Part No.	New Qty	Description	Ref	Part No.	New Qty	Description
1	3305-785	6	Screw, Cap	17	3313-647	1	Hose, Brake
2	3323-230	1	Caliper, Brake - Right Front (inc. 3-9)	18	3313-316	1	Brake Assembly (inc. 19-26)
	3323-231	1	Caliper, Brake - Left Front (inc. 3-9)	19	0502-566	1	● Screw, Machine - Kit
	3323-231	1	Caliper, Brake - Rear (inc. 3-9)	20	0502-868	1	● Cover, Reservoir
3	1436-160	1	● Housing, Caliper - Assembly - Right Front (inc. 4-6)	21	0502-568	1	● Screw, Machine - Kit
	1436-161	1	● Housing, Caliper - Assembly - Left Front (inc. 4-6)	22	0502-869	1	● Clamp, Master Cylinder
	1436-161	1	● Housing, Caliper - Assembly - Rear (inc. 4-6)	23	0502-704	1	● Master Cylinder Assembly
4	0502-606	3	●● Piston/Seal Set (inc. 5)	24	0502-866	1	● Lever Assembly - Kit (inc. 25-26)
5	0502-607	3	●●● Seal Set	25	0502-867	1	●● Lock, Brake Lever - Kit
6	0502-609	3	●● Valve, Bleed	26	0502-580	1	●● Lever Pin - Kit
7	0502-608	3	● O-Ring, Guide - Set	27	3313-682	1	Hose, Brake
8	0502-605	3	● Bracket Assembly	28	3304-674	1	Bolt, Banjo-Fitting - Double
9	1502-694	3	● Pad, Brake - Set	29	3306-370	1	Brake Assembly
10	3303-257	5	Bolt, Banjo-Fitting	30	3306-152	1	Pin, Clevis
11	3303-284	15	Washer, Crush	31	3304-050	1	Washer
12	3303-919	2	Clamp, Brake Hose	32	3304-141	1	Pin, Cotter
13	3304-553	3	Screw, Cap	33	3313-680	1	Switch, Brake
14	3313-523	1	Bracket, Mounting - Brake Hose Assembly	34	3313-681	1	Hose, Brake
15	3305-789	1	Screw, Cap	35	0123-788	AR	Tie, Cable - 8 in.
16	3313-750	1	Hose, Brake - Assembly	36	3303-383	2	Screw, Cap
				37	3304-543	1	Screw, Cap
				38	8050-252	1	Washer
				39	1602-213	2	O-Ring
				40	3313-156	1	Pedal, Brake



PARKING BRAKE ASSEMBLY

0744-579

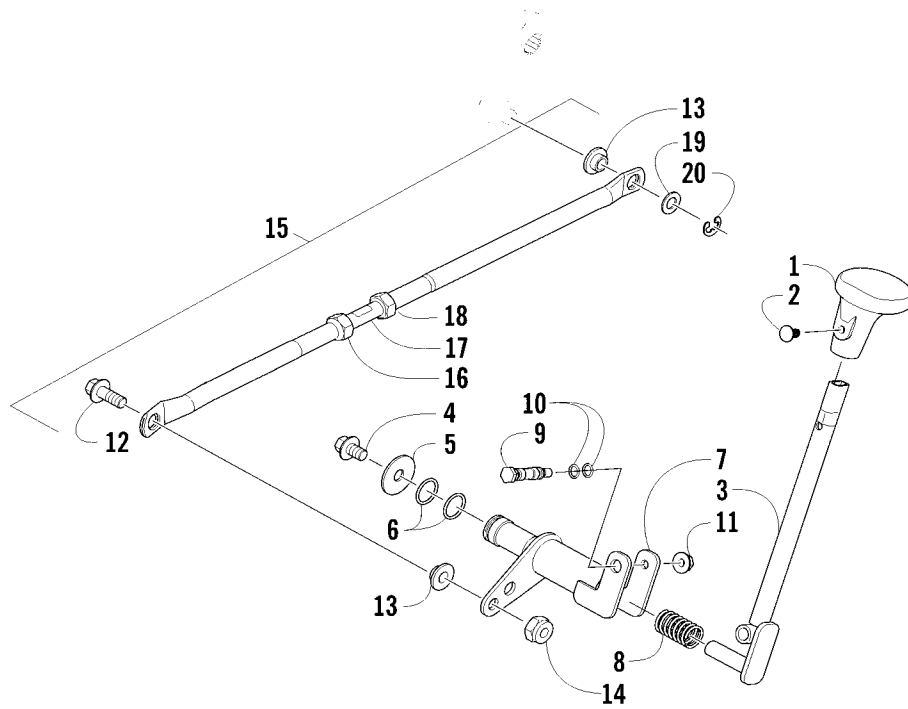
Ref	Part No.	New Qty	Description	Ref	Part No.	New Qty	Description
1	3306-356	1	Caliper (inc. 2)	9	3313-686	1	● Lever, Brake
2	3305-788	1	● Pad, Brake - Set	10	3313-687	1	● Housing, Brake Lever
3	3305-784	2	Screw, Cap	11	3313-860	1	● Switch, Brake
4	3306-351	1	Cable	12	3303-271	1	● Adjuster, Cable
5	3313-650	1	Handle, Brake - Assembly (inc. 6-15)	13	3303-262	1	● Nut
6	3313-691	1	● E-Ring	14	3305-914	1	● Screw, Shoulder
7	3313-689	1	● Lock, Brake Lever	15	3303-397	1	● Screw, Cap
8	3313-690	1	● Pin				



GAS TANK ASSEMBLY

0745-752

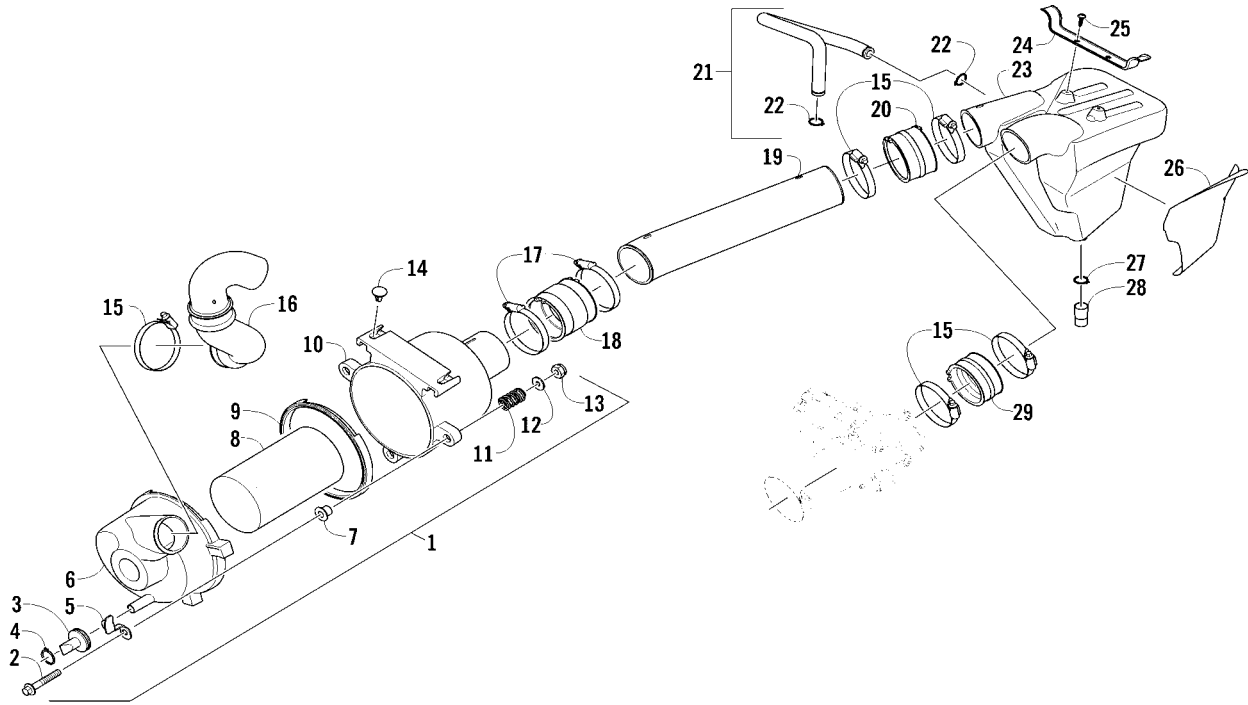
Ref	Part No.	New Qty	Description	Ref	Part No.	New Qty	Description
1	3306-244	1	Tank, Gas - Assembly (inc. 2-5)	8	3313-845	1	● Seal
2	3306-297	1	● Cap, Gas Tank (inc. 3)	9	0423-732	1	Screw, Shoulder
3	3306-298	1	●● Gasket, Gas Tank Cap	10	1670-878	1	Fitting, Quick-Connect
4	3306-300	6	● Screw, Self-Tapping	11	0623-373	2	Clamp, Hose
5	3306-299	1	● Plate, Retaining	12	3306-363	1	Hose, Fuel - Assembly
6	3306-296	1	Pump, Fuel - Assembly (inc. 7-8)	13	0423-460	2	Grommet
7	2670-235	1	● Float	14	3313-833	1	Shield, Heat



SHIFT LEVER ASSEMBLY

0745-758

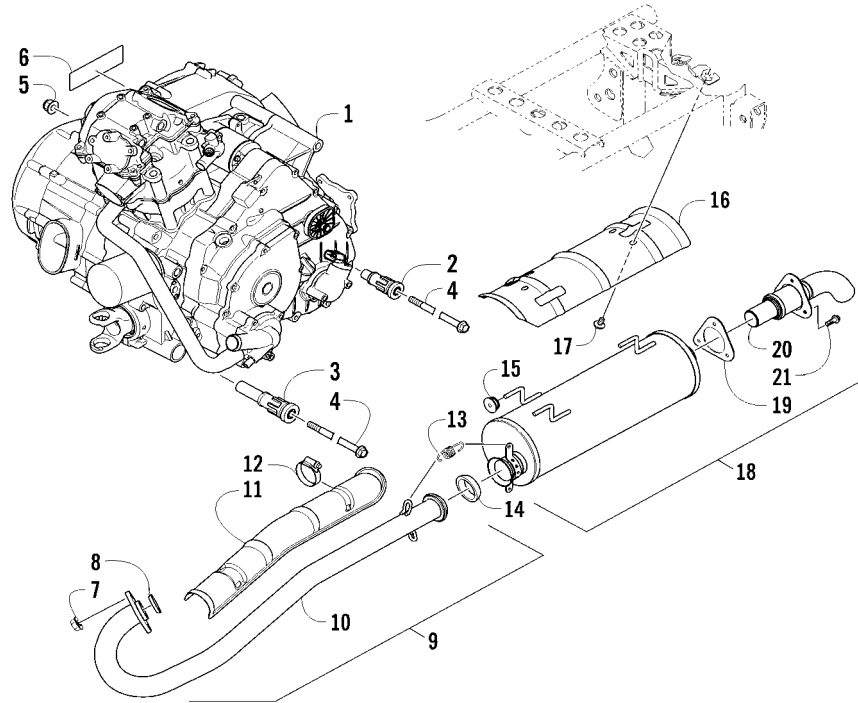
Ref	Part No.	New Qty	Description	Ref	Part No.	New Qty	Description
1	0402-843	1	Knob, Shift Lever	11	3304-654	1	Nut, Lock
2	0423-345	1	Clip, Retaining	12	3313-821	1	Screw, Cap
3	3313-317	1	Lever, Shift	13	3323-037	2	Bushing
4	3304-544	1	Screw, Cap	14	3305-396	1	Nut, Lock
5	0423-087	1	Washer	15	3306-319	1	Linkage, Shift - Assembly (inc. 16-18)
6	0423-299	2	O-Ring	16	3303-327	1	● Nut, Hex - Right-Hand Thread
7	3306-317	1	Actuator, Shift	17	3313-278	1	● Adjuster, Shift Linkage
8	0402-678	1	Spring, Shift Lever	18	3313-822	1	● Nut, Hex - Left-Hand Thread
9	0402-675	1	Axle, Pivot	19	3304-138	1	Washer
10	0423-182	2	O-Ring	20	3313-766	1	E-Ring



AIR INTAKE ASSEMBLY

0745-760

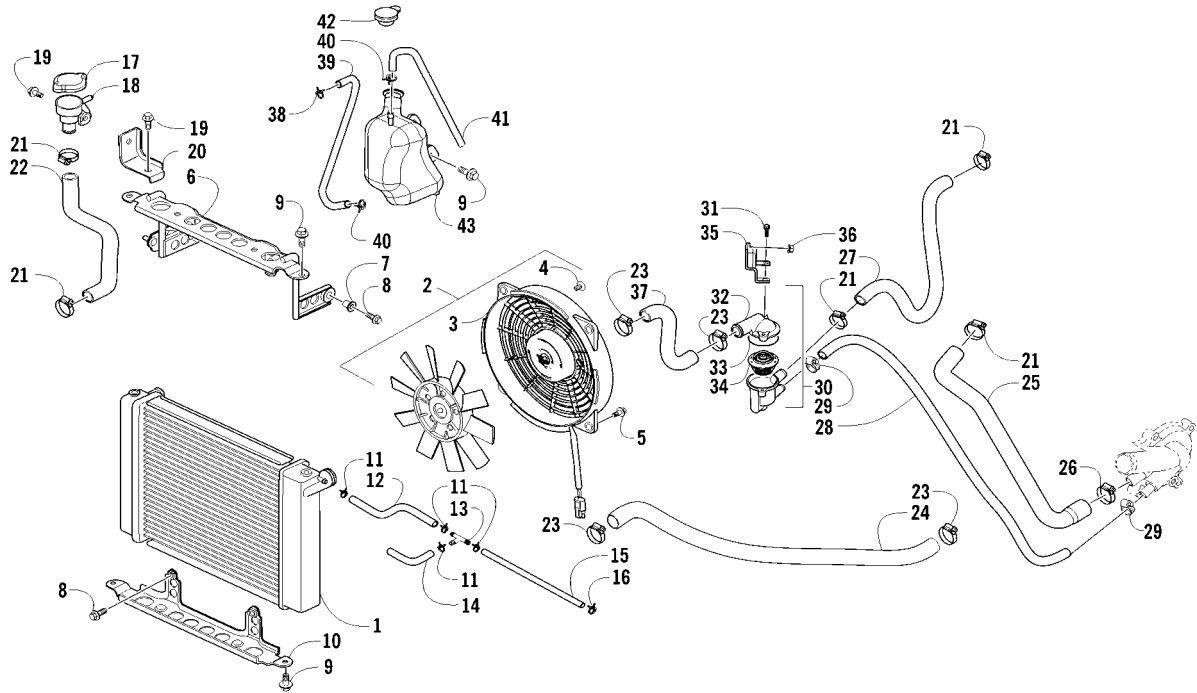
Ref	Part No.	New Qty	Description	Ref	Part No.	New Qty	Description
1	3313-395	1	Filter, Air - Assembly (inc. 2-13)	16	3313-816	1	Boot, Air Intake
2	8408-850	3	● Screw, Cap	17	3313-817	2	Clamp
3	0470-442	1	● Valve, Drain	18	3313-275	1	Boot, Air Intake
4	3313-705	1	● Clamp	19	3313-063	1	Boot, Air Intake
5	3313-375	3	● Latch	20	3313-274	1	Boot, Air Intake
6	3313-376	1	● Cover, Air Filter	21	3313-397	1	Hose, Oil Catch (inc. 22)
7	3313-853	3	● Spacer	22	3304-167	2	● Clamp, Hose
8	3313-378	1	● Element, Air Filter	23	3313-224	1	Housing, Air Intake
9	3313-446	1	● Gasket, Air Filter	24	3313-356	1	Bracket, Mounting - Air Intake Housing
10	3313-377	1	● Housing, Air Filter	25	3304-409	2	Screw, Self-Tapping
11	0402-678	3	● Spring	26	3313-362	1	Foil, Protective
12	8050-222	3	● Washer	27	3313-706	1	Clamp
13	3303-269	3	● Nut, Lock	28	3313-543	1	Pipe, Drain
14	3305-448	2	Clip, Retaining	29	3306-309	1	Boot, Air Intake
15	0423-380	5	Clamp				



ENGINE AND EXHAUST

0745-761

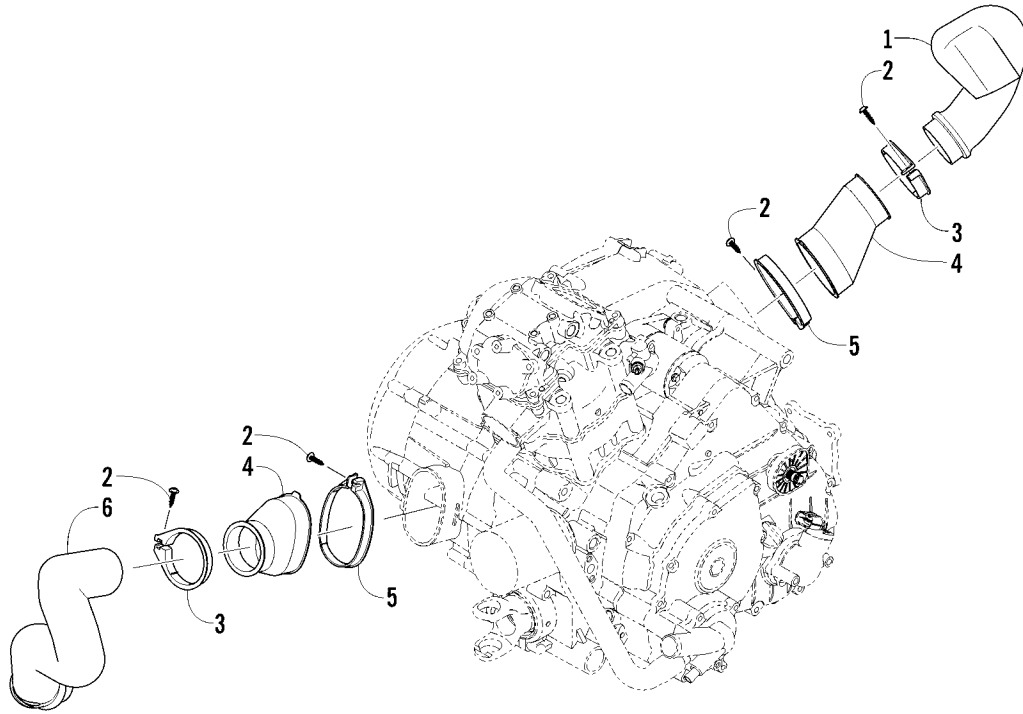
Ref	Part No.	New Qty	Description	Ref	Part No.	New Qty	Description
1	3313-836	1	Engine (inc. 2-3)	12	0423-317	2	● Clamp
2	0801-188	3	● Mount, Rubber - Engine	13	0612-668	2	Spring, Extension
3	0801-189	1	● Mount, Rubber - Engine	14	3306-315	1	Seal, Exhaust
4	3323-174	2	Screw, Cap	15	3313-264	3	Bushing
5	3304-031	2	Nut, Lock	16	3313-026	1	Cover, Muffler
6	0411-426	1	Decal, Warning - Clutch Cover	17	3313-711	3	Screw, Machine
7	3303-332	2	Nut	18	3306-653	1	Muffler - Assembly (inc. 19-21)
8	3313-743	1	Gasket, Exhaust Pipe	19	3313-708	1	● Gasket, Spark Arrester
9	3306-369	1	Pipe, Exhaust - Assembly (inc. 10-12)	20	3313-707	1	● Arrester, Spark - Assembly
10	3306-313	1	● Pipe, Exhaust	21	3313-710	3	● Screw, Cap
11	3313-025	1	● Shield, Exhaust				



COOLING ASSEMBLY

0745-762

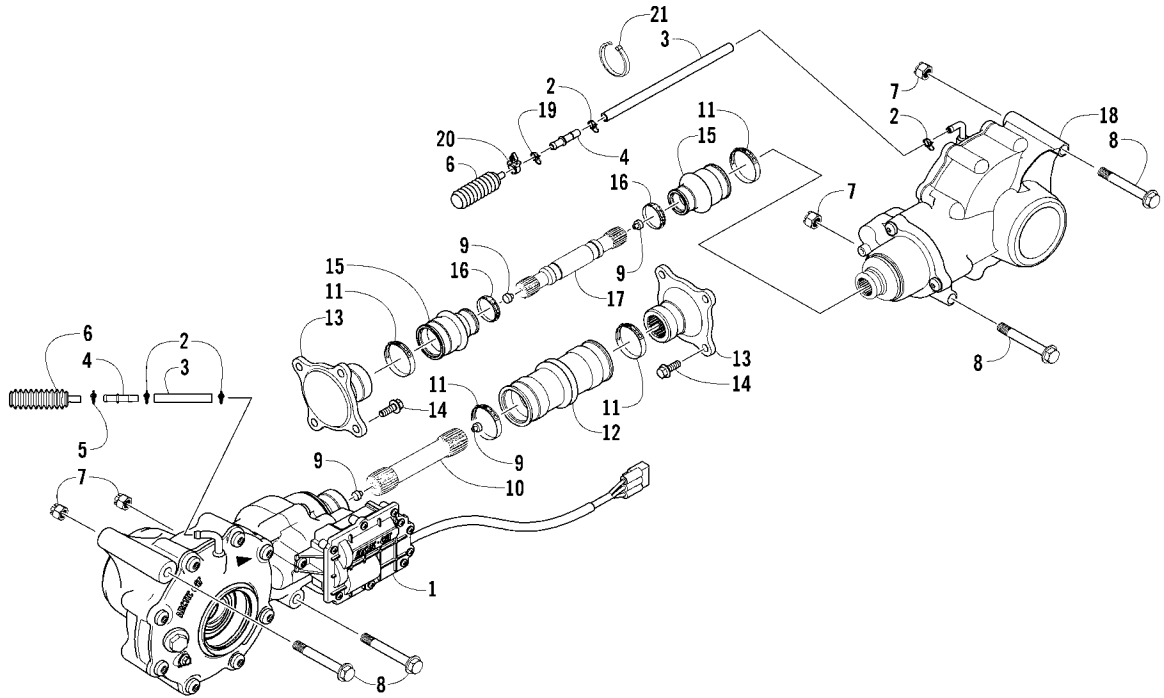
Ref	Part No.	New	Qty	Description	Ref	Part No.	New	Qty	Description
1	3306-334		1	Radiator	24	3306-343		1	Hose, Coolant - Radiator/Water Pump
2	3306-333		1	Fan, Cooling - Assembly (inc. 3-4)	25	0410-216		1	Hose, Coolant - Water Pump/Cylinder
3	3306-335		1	● Shroud, Fan	26	3305-941		1	Clamp, Hose
4	3306-405		4	● Screw, Shoulder	27	3306-255		1	Hose, Coolant - Thermostat/Cylinder
5	3304-587		4	Screw, Cap	28	3306-258		1	Hose, Coolant - Thermostat/Water Pump
6	3306-376		1	Bracket, Mounting - Upper	29	0423-098		2	Clamp, Hose
7	3303-226		2	Insert	30	0808-192		1	Housing, Thermostat - Assembly (inc. 31-34)
8	3304-551		4	Screw, Cap	31	3303-384		2	● Screw, Cap
9	3304-652		6	Screw, Cap	32	0808-202		1	● Cover, Housing - Thermostat
10	3306-348		1	Bracket, Mounting - Lower	33	0830-205		1	● O-Ring
11	3304-161		5	Clamp, Hose	34	0813-050		1	● Thermostat
12	3306-345		1	Hose, Coolant - Radiator/T-Fitting	35	3306-260		1	Bracket, Mounting - Thermostat Housing
13	3306-346		1	T-Fitting	36	3304-654		1	Nut, Lock
14	3306-374		1	Hose, Coolant - T-Fitting/Filler Neck	37	3306-257		1	Hose, Coolant - Radiator/Thermostat
15	3306-375		1	Hose, Coolant - T-Fitting/Engine	38	3303-349		1	Clamp, Hose
16	3306-349		1	Clamp, Hose	39	3306-340		1	Hose, Coolant - Reservoir/Filler Neck
17	3303-748		1	Cap, Filler Neck	40	3304-163		2	Clamp, Hose
18	3303-738		1	Neck, Filler	41	3306-339		1	Hose, Vent
19	3304-553		2	Screw, Cap	42	3303-749		1	Cap, Reservoir
20	3306-336		1	Bracket, Mounting - Filler Neck	43	3313-661		1	Tank, Reservoir
21	1423-008		5	Clamp, Hose					
22	3306-344		1	Hose, Coolant - Filler Neck/Radiator					
23	3306-256		4	Clamp, Hose					



CASE/BELT COOLING ASSEMBLY

0745-769

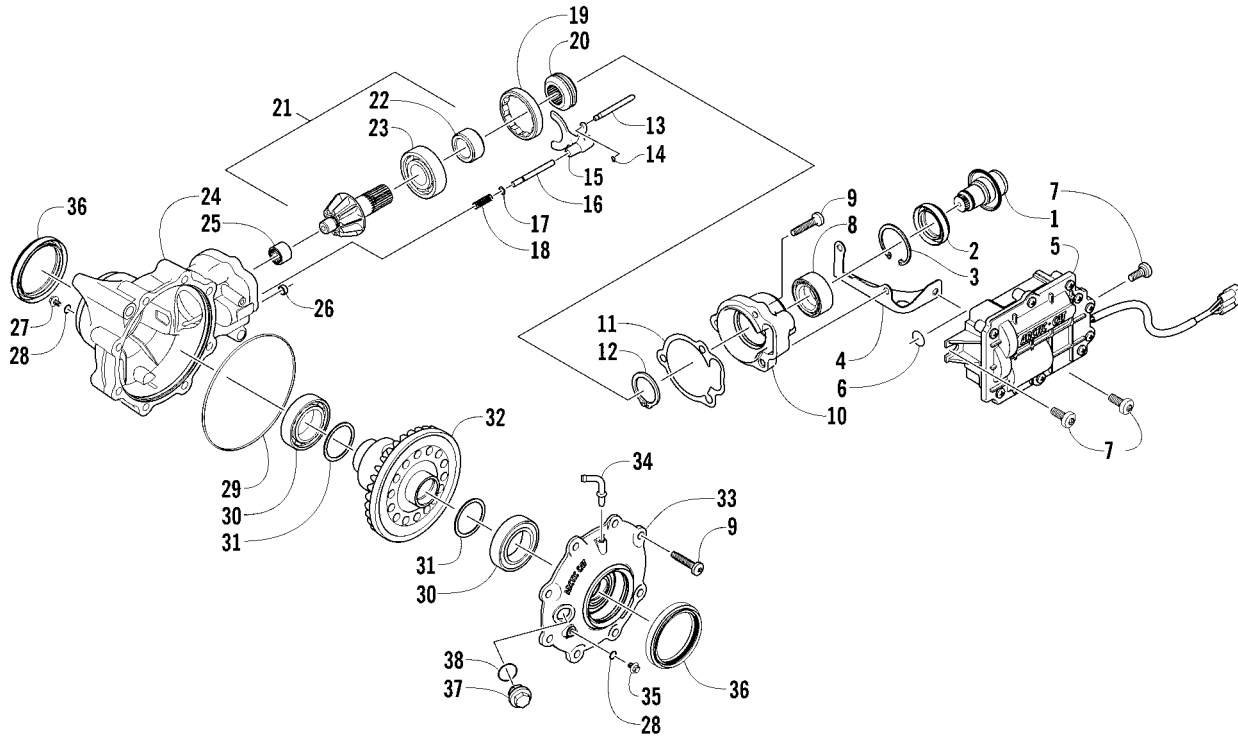
Ref	Part No.	New Qty	Description	Ref	Part No.	New Qty	Description
1	3313-064	1	Duct, Belt - Air Out	4	3313-782	2	Boot, Duct
2	0423-342	4	Screw, Self-Tapping	5	0423-550	2	Clamp
3	0423-551	2	Clamp	6	3313-065	1	Duct, Belt - Air In



DRIVE TRAIN ASSEMBLY

0746-222

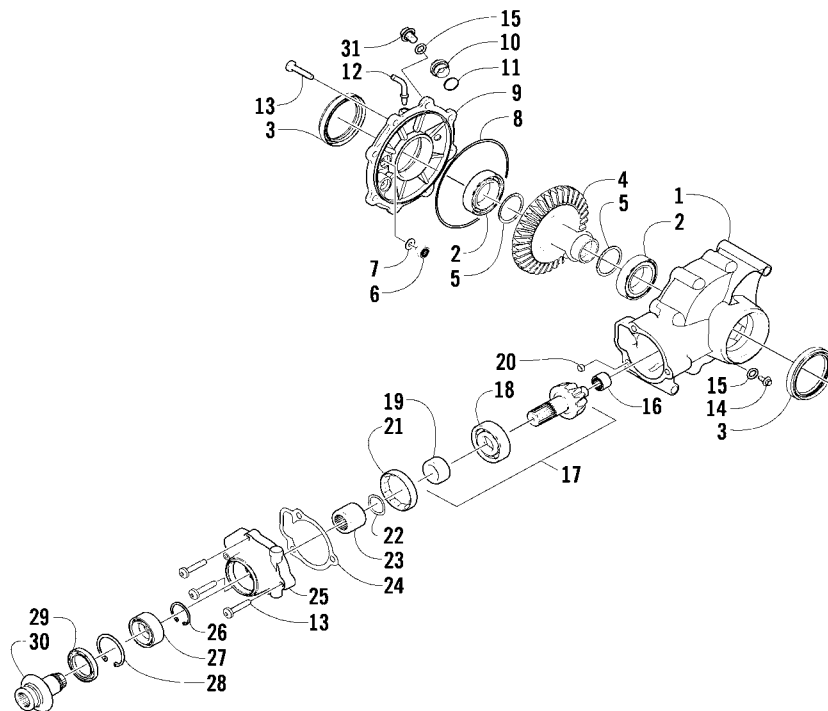
Ref	Part No.	New Qty	Description	Ref	Part No.	New Qty	Description
1	3306-265	1	Gearcase, Front	12	3313-825	1	Boot, Coupler
2	3313-684	4	Clamp, Hose	13	3313-774	2	Flange, Output
3	0410-070	AR	Hose, Vent	14	3304-565	8	Screw, Cap
4	3323-150	2	Fitting, Vent	15	0402-985	2	Boot
5	3323-149	1	Clamp, Hose	16	3313-777	2	Clamp
6	3313-796	2	Bladder, Gearcase	17	3313-773	1	Shaft, Propeller
7	3304-031	4	Nut, Lock	18	3306-023	1	Gearcase, Rear
8	3305-787	4	Screw, Cap	19	3303-349	1	Clamp, Hose
9	3313-783	4	Bumper, Propeller Shaft	20	3323-152	1	Clip, Routing
10	3313-784	1	Shaft, Propeller	21	0123-788	AR	Tie, Cable - 8 in.
11	3313-776	4	Clamp				



FRONT DRIVE GEARCASE ASSEMBLY

0745-296

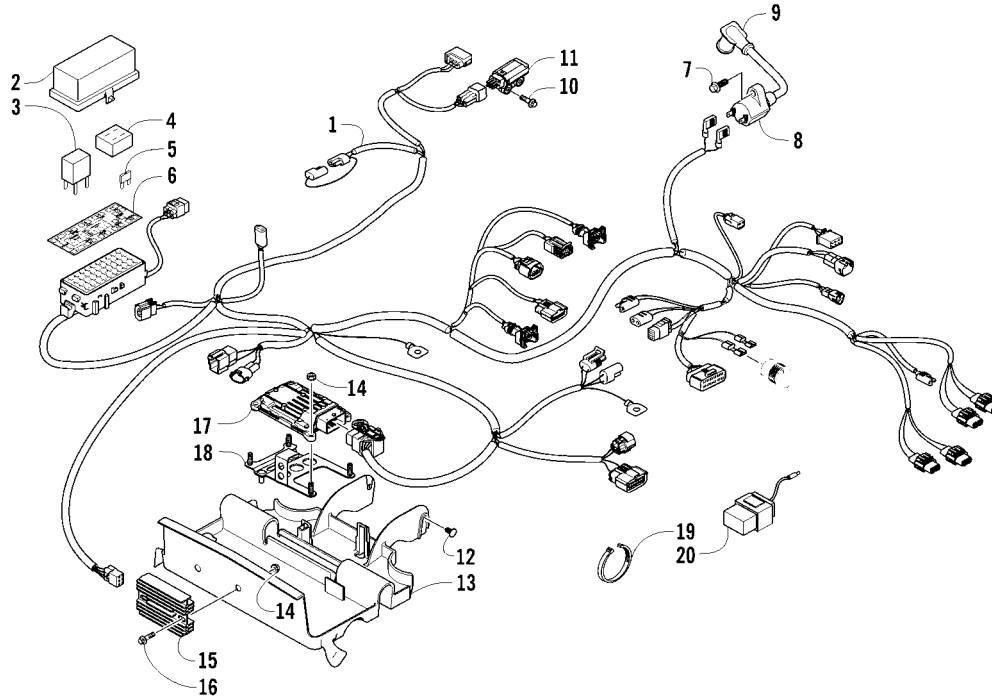
Ref	Part No.	New	Qty	Description	Ref	Part No.	New	Qty	Description
-	3306-265		1	Complete Front Drive Gearcase Assembly	22	0402-336		1	● Collar, Retaining
1	3306-047		1	Shaft, Input	23	3306-040		1	● Bearing
2	3323-239		1	Seal	24	3313-793		1	Housing, Gearcase
3	3306-046		1	Ring, Retaining	25	3306-038		1	Bearing
4	3323-241		1	Bracket, Actuator	26	3306-048		1	Pin, Dowel
5	3306-264		1	Actuator	27	3306-027		1	Plug, Magnetic (inc. one No. 28)
6	3313-792		1	O-Ring	28	0423-153		2	● O-Ring
7	3313-797		3	Screw, Self-Tapping	29	3306-030		1	O-Ring
8	3323-240		1	Bearing	30	3306-801		2	Bearing
9	3303-615		11	Screw, Self-Tapping	31	3306-132		AR	Shim, 41 x 49 x 1.0 mm
10	3323-238		1	Housing, Pinion		3306-133		AR	Shim, 41 x 49 x 1.1 mm
11	3323-234		1	Gasket, Flange		3306-134		AR	Shim, 41 x 49 x 1.2 mm
12	3306-045		1	Ring, Retaining		3306-135		AR	Shim, 41 x 49 x 1.3 mm
13	3323-235		1	Shaft, Selector		3306-136		AR	Shim, 41 x 49 x 1.4 mm
14	3313-791		1	Ring, Retaining		3306-137		AR	Shim, 41 x 49 x 1.5 mm
15	3323-236		1	Fork, Selector		3306-138		AR	Shim, 41 x 49 x 1.6 mm
16	3323-233		1	Shaft, Shuttle		3306-139		AR	Shim, 41 x 49 x 1.7 mm
17	3313-790		1	O-Ring	32	3313-794		1	Gear, Ring - 34T
18	3313-789		1	Spring, Return	33	3313-795		1	Cover, Gearcase
19	3313-788		1	Collar, Lock	34	3306-034		1	Fitting, Elbow
20	3323-232		1	Coupler, Drive	35	3306-036		1	Plug, Oil Level (inc. one No. 28)
21	3306-039		1	Gear, Pinion - Assembly - 11T (inc. 22-23)	36	3306-025		2	Seal
					37	3306-035		1	Plug, Fill (inc. 38)
					38	0423-154		1	● O-Ring



REAR DRIVE GEARCASE ASSEMBLY

0741-524

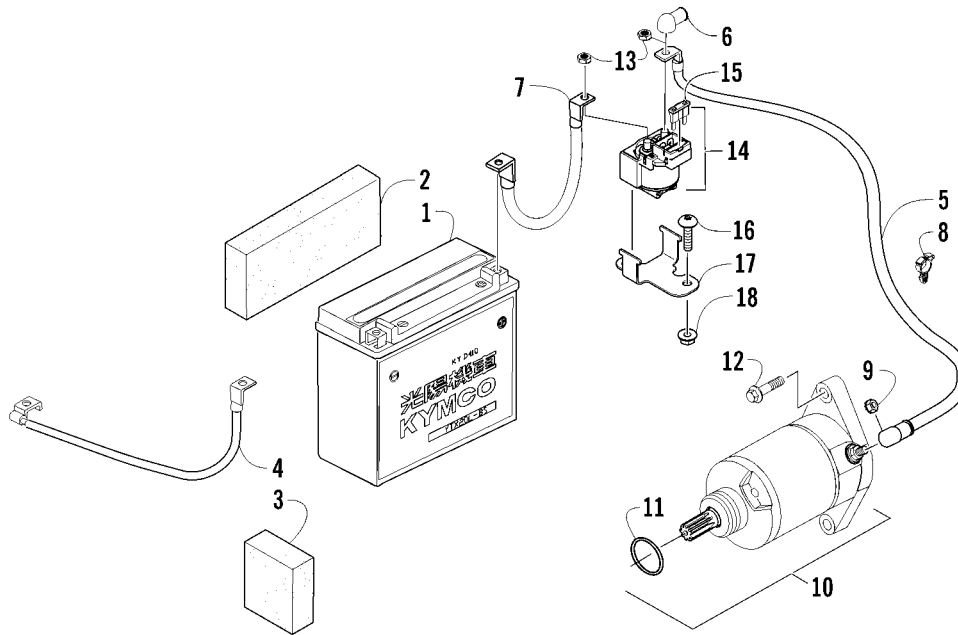
Ref	Part No.	New Qty	Description	Ref	Part No.	New Qty	Description
-	3306-023	1	Complete Rear Drive Gearcase Assembly	9	3306-033	1	Cover, Gearcase
1	3306-024	1	Housing, Gearcase	10	3306-035	1	Plug, Fill (inc. 11)
2	3306-801	2	Bearing	11	0423-154	1	● O-Ring
3	3306-025	2	Seal	12	3306-034	1	Fitting, Elbow
4	3306-029	1	Gear, Ring - 34T	13	3303-615	11	Screw, Self-Tapping
5	3306-132	AR	Shim, 41 x 49 x 1.0 mm	14	3306-027	1	Plug, Magnetic (inc. one No. 15)
	3306-133	AR	Shim, 41 x 49 x 1.1 mm	15	0423-153	2	● O-Ring
	3306-134	AR	Shim, 41 x 49 x 1.2 mm	16	3306-038	1	Bearing
	3306-135	AR	Shim, 41 x 49 x 1.3 mm	17	3306-039	1	Gear, Pinion - Assembly - 11T (inc. 18-19)
	3306-136	AR	Shim, 41 x 49 x 1.4 mm	18	3306-040	1	● Bearing
	3306-137	AR	Shim, 41 x 49 x 1.5 mm	19	0402-336	1	● Collar, Retaining
	3306-138	AR	Shim, 41 x 49 x 1.6 mm	20	3306-048	1	Pin, Dowel
	3306-139	AR	Shim, 41 x 49 x 1.7 mm	21	3306-042	1	Collar, Lock
6	3306-031	1	Button, Thrust	22	3306-043	1	Washer, Wave
7	3306-124	AR	Shim, 6.3 x 18 x 1.0 mm	23	3306-044	1	Collar, Shaft
	3306-125	AR	Shim, 6.3 x 18 x 1.1 mm	24	3323-234	1	Gasket, Flange
	3306-126	AR	Shim, 6.3 x 18 x 1.2 mm	25	3306-049	1	Housing, Pinion
	3306-127	AR	Shim, 6.3 x 18 x 1.3 mm	26	3306-045	1	Ring, Retaining
	3306-128	AR	Shim, 6.3 x 18 x 1.4 mm	27	3323-240	1	Bearing
	3306-129	AR	Shim, 6.3 x 18 x 1.5 mm	28	3306-046	1	Ring, Retaining
	3306-130	AR	Shim, 6.3 x 18 x 1.6 mm	29	3323-239	1	Seal
	3306-131	AR	Shim, 6.3 x 18 x 1.7 mm	30	3306-047	1	Shaft, Input
8	3306-030	1	O-Ring	31	3306-036	1	Plug, Oil Level (inc. one No. 15)



WIRING HARNESS ASSEMBLY

0745-899

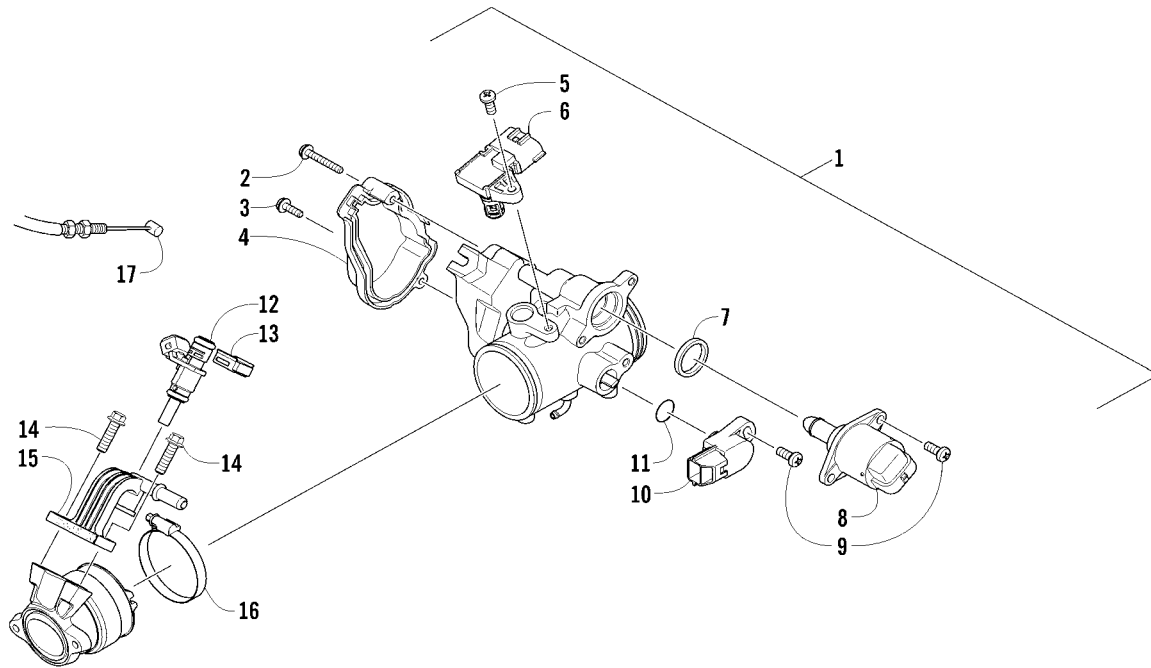
Ref	Part No.	New Qty	Description	Ref	Part No.	New Qty	Description
1	0486-473	1	Harness, Main (inc. 2-6)	10	3306-327	2	Screw, Cap
2	0530-008	1	● Cover, Fuse Block	11	3306-325	1	Sensor, Tilt
3	0430-033	3	● Relay (5-Pin) - 10 Amp	12	0423-345	2	Clip, Retaining
4	0430-037	1	● Holder, Fuse	13	3306-281	1	Tray, Electrical
5	0430-032	7	● Fuse - 10 Amp	14	3304-654	6	Nut, Lock
	0430-031	4	● Fuse - 15 Amp	15	3306-413	1	Regulator, Voltage
	3304-212	1	● Fuse - 30 Amp	16	3305-344	2	Screw, Cap
6	3306-817	1	● Decal, Fuse Block	17	0530-060	1	ECM
7	3306-326	2	Screw, Cap	18	3306-304	1	Bracket, Mounting - ECM
8	0824-073	1	Coil, Ignition - Assembly (inc. 9)	19	3303-289	AR	Tie, Cable
9	0824-056	1	● Cap, Spark Plug	20	3304-778	1	Control, Hazard



BATTERY AND STARTER ASSEMBLY

0745-776

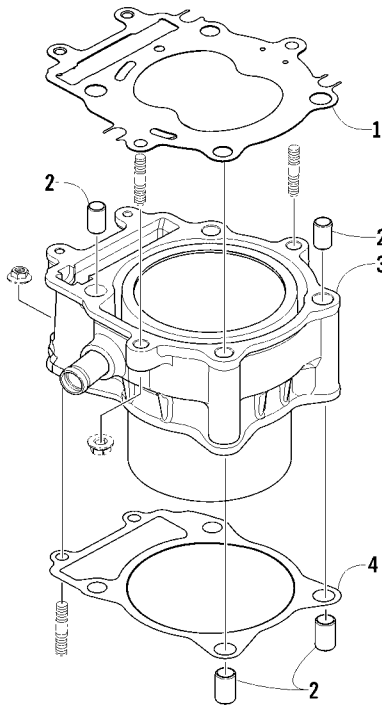
Ref	Part No.	New Qty	Description	Ref	Part No.	New Qty	Description
1	3306-301	1	Battery Assembly	10	3305-954	1	Motor, Starter - Assembly (inc. 11)
2	3306-302	1	Pad, Foam	11	3304-104	1	● O-Ring
3	3306-303	1	Pad, Foam	12	3305-946	2	Screw, Cap
4	3306-262	1	Cable, Ground	13	3304-654	2	Nut, Lock
5	3313-527	1	Cable, Solenoid/Starter (inc. 6)	14	3313-464	1	Solenoid (inc. 15)
6	-	1	● Boot, Terminal - Part Number not Available	15	3304-212	1	● Fuse - 30 Amp
7	3306-324	1	Cable, Battery/Solenoid	16	3305-703	2	Screw, Machine
8	3306-364	2	Clamp, Routing	17	3313-467	1	Bracket, Mounting - Solenoid
9	3304-011	1	Nut w/Washer	18	3304-431	2	Nut, Lock



THROTTLE BODY ASSEMBLY

0745-777

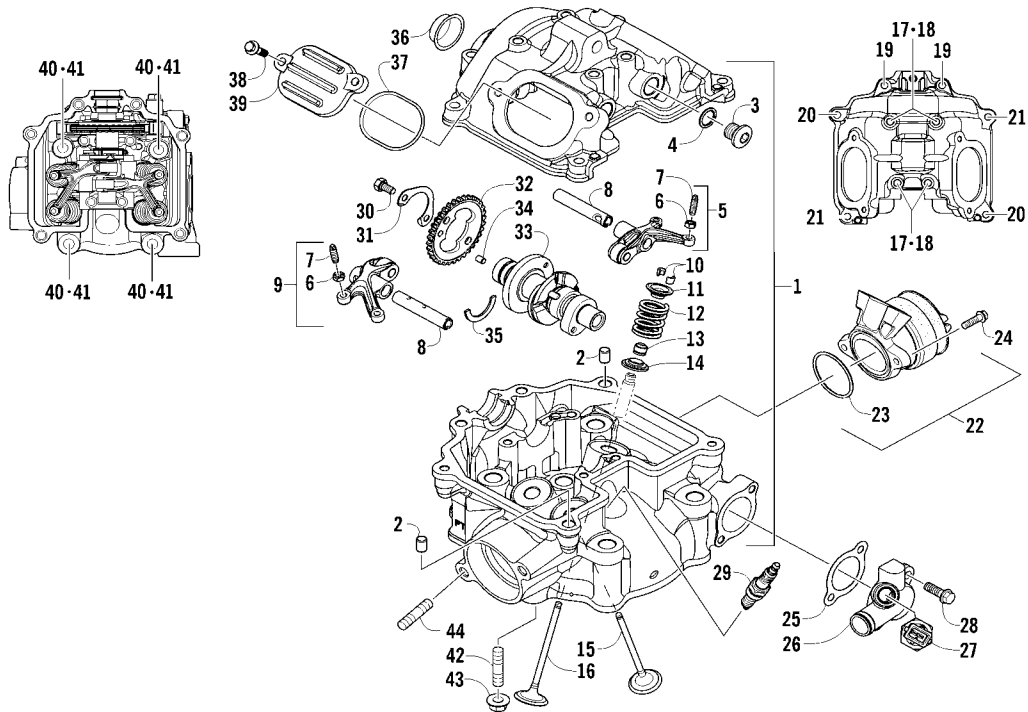
Ref	Part No.	New Qty	Description	Ref	Part No.	New Qty	Description
1	3306-656	1	Throttle Body - Assembly (inc. 2-11)	10	0824-053	1	● Sensor, Throttle Position (inc. 11)
2	3306-267	1	● Screw, Machine	11	3306-150	1	●● O-Ring
3	3306-266	1	● Screw, Machine	12	3306-251	1	Injector, Fuel
4	0824-060	1	● Cover	13	3306-253	1	Clip, Retaining
5	0835-007	1	● Screw, Machine	14	3305-344	2	Screw, Cap
6	0824-052	1	● Sensor, MAP	15	3306-252	1	Rail, Fuel
7	0832-088	1	● Seal	16	3306-250	1	Clamp
8	0824-054	1	● Valve, Bypass - Idle Air	17	3306-275	1	Cable, Throttle
9	3305-953	3	● Screw, Machine				



CYLINDER ASSEMBLY

0745-155

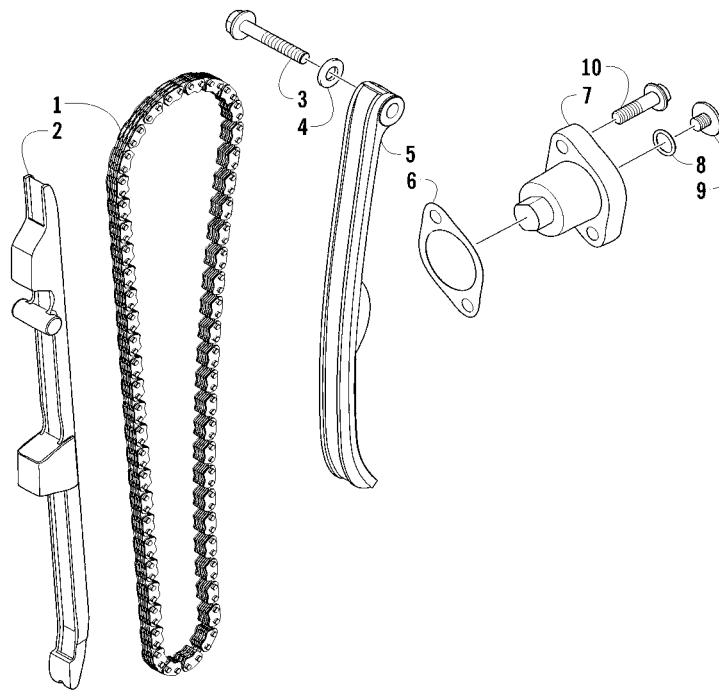
Ref	Part No.	New Qty	Description	Ref	Part No.	New Qty	Description
1	0830-203	1	Gasket, Cylinder Head	3	0804-056	1	Cylinder
2	0829-046	4	Pin, Dowel	4	0830-204	1	Gasket, Cylinder



CYLINDER HEAD AND CAMSHAFT/VALVE ASSEMBLY

0745-778

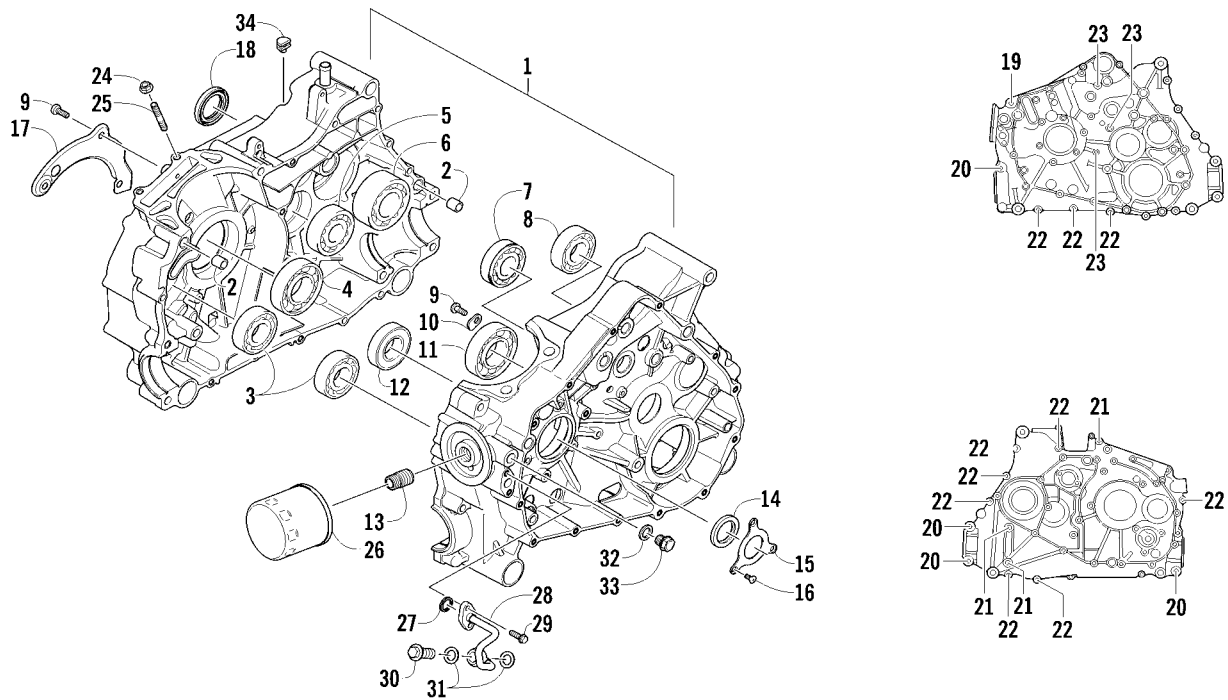
Ref	Part No.	New Qty	Description	Ref	Part No.	New Qty	Description
1	0808-205	1	Head, Cylinder (inc. 2-17)	23	0830-202	1	● O-Ring
2	3303-341	2	● Pin, Dowel	24	3304-189	2	Screw, Cap
3	0831-053	2	● Plug, Shaft	25	0830-200	1	Gasket
4	0830-143	2	● Gasket	26	3306-246	1	Fitting, Coolant - Assembly
5	0809-254	1	● Arm, Valve Rocker - Intake (inc. 6-7)	27	0808-196	1	Sensor, Engine Coolant Temperature
6	3304-026	4	●● Nut	28	3303-617	2	Screw, Cap
7	3304-007	4	●●● Screw, Adjuster	29	0217-708	1	Spark Plug - CR7E
8	0809-256	2	● Shaft, Rocker Arm	30	0826-154	2	Screw, Cap
9	0809-252	1	● Arm, Valve Rocker - Exhaust (inc. 6-7)	31	0828-086	1	Plate, Retainer
10	3303-044	8	● Cotter, Valve	32	0809-259	1	Sprocket
11	0809-142	4	● Retainer, Spring	33	3306-247	1	Camshaft (inc. 34)
12	0809-257	4	● Spring, Valve	34	0829-036	1	● Pin, Alignment
13	0809-190	4	● Seal, Oil	35	0809-165	1	C-Ring
14	0809-141	4	● Seat, Spring	36	3306-787	1	Plug, Head
15	0809-266	2	● Valve, Exhaust	37	0830-139	2	O-Ring
16	0809-263	2	● Valve, Intake	38	3303-383	4	Screw, Cap
17	3304-904	4	● Screw, Cap	39	0808-111	2	Cap, Inspection
18	0830-155	4	Gasket	40	0826-062	4	Screw, Cap
19	3304-918	2	Screw, Cap	41	0828-044	4	Washer
20	0826-136	2	Screw, Cap	42	0827-064	2	Bolt, Stud
21	3303-384	2	Screw, Cap	43	3303-332	2	Nut
22	3306-249	1	Manifold, Intake (inc. 23)	44	0827-065	2	Bolt, Stud



CAM CHAIN ASSEMBLY

0745-157

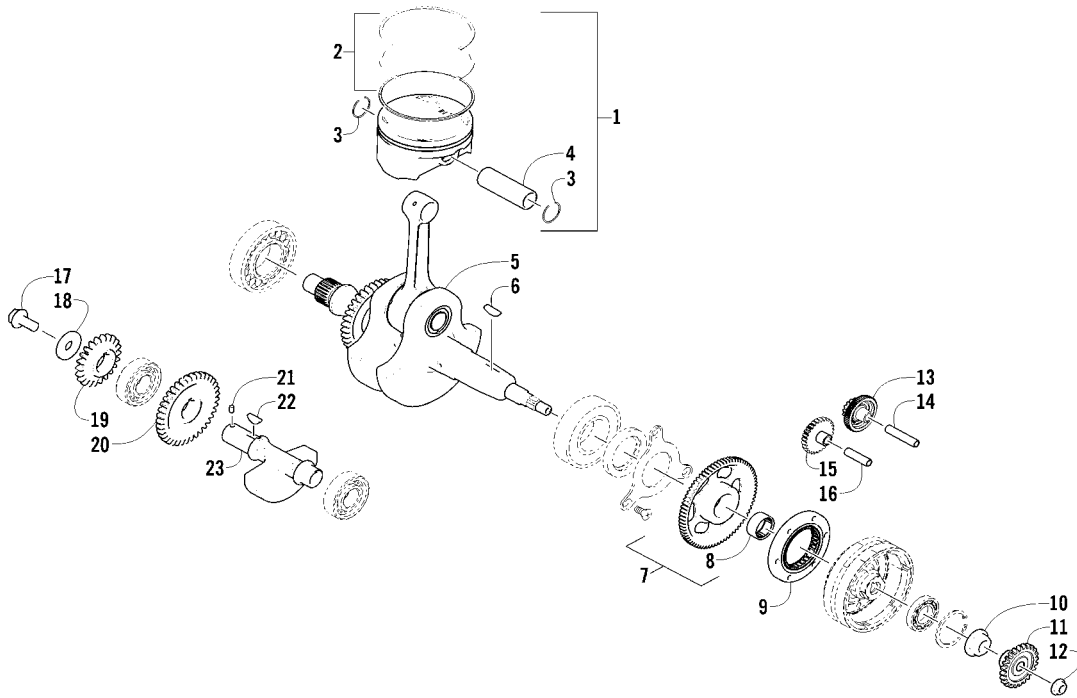
Ref	Part No.	New Qty	Description	Ref	Part No.	New Qty	Description
1	0810-005	1	Chain, Cam	6	3303-035	1	Gasket
2	0810-068	1	Guide, Chain	7	3303-677	1	Adjuster, Tensioner - Assembly
3	0826-133	1	Pivot, Tensioner	8	3304-100	1	O-Ring
4	0830-150	1	Washer	9	3304-006	1	Screw, Adjuster
5	0810-007	1	Tensioner, Chain	10	3303-360	2	Screw, Cap



CRANKCASE ASSEMBLY

0745-866

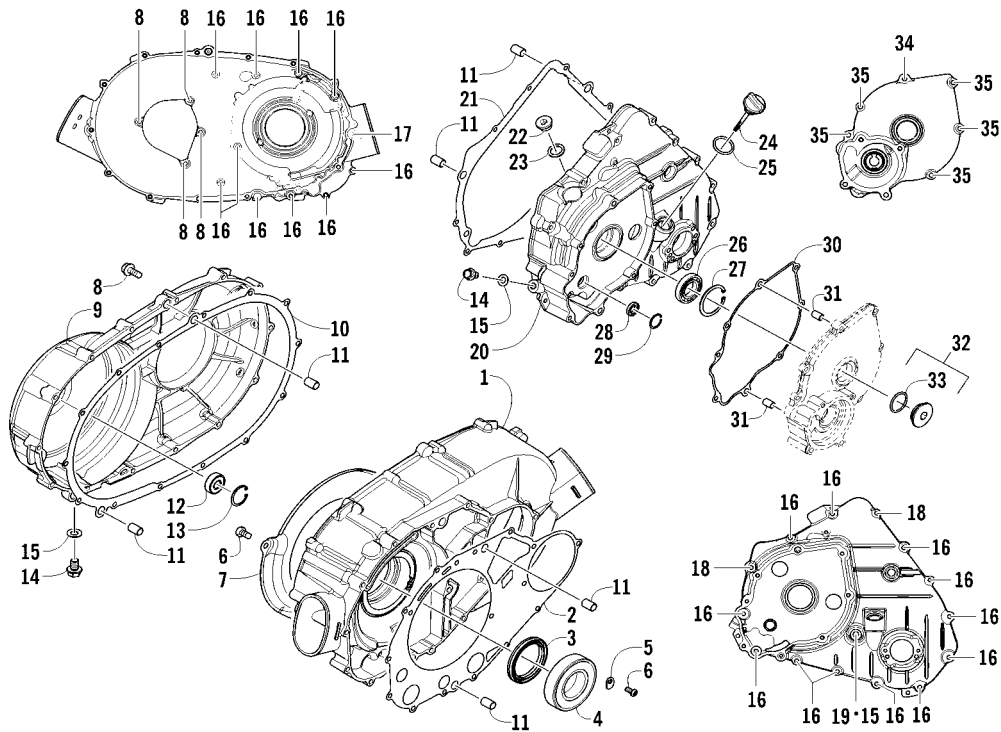
Ref	Part No.	New Qty	Description	Ref	Part No.	New Qty	Description
1	0801-191	1	Crankcase - Assembly (inc. 2-21)	18	0830-066	1	● Seal
2	0829-050	2	● Pin, Dowel	19	3303-372	1	● Screw, Cap
3	3313-745	2	● Bearing	20	0826-126	4	● Screw, Cap
4	0832-087	1	● Bearing	21	0826-064	3	● Screw, Cap
5	3304-198	1	● Bearing	22	3303-387	10	Screw, Cap
6	0832-074	1	● Bearing	23	0826-065	3	Screw, Cap
7	3304-195	1	● Bearing	24	3304-654	2	Nut, Lock
8	3304-699	1	● Bearing	25	3313-721	2	Bolt, Stud
9	0826-144	5	● Screw, Machine	26	0812-034	1	Filter, Oil
10	0822-104	2	● Retainer, Bearing	27	0830-172	1	O-Ring
11	0832-019	1	● Bearing	28	0812-086	1	Oilline
12	0832-020	1	● Bearing	29	3303-617	2	Screw, Cap
13	0812-066	1	● Union, Oil Filter	30	0812-084	1	Bolt, Banjo-Fitting
14	0830-058	1	● Seal	31	0812-085	2	Washer
15	0805-018	1	● Retainer	32	0830-143	1	Gasket
16	0826-145	3	● Screw, Machine	33	0835-004	1	Plug, Oil Pressure
17	0801-018	1	● Plate, Oil Guide - Right	34	3313-744	1	Grommet



CRANKSHAFT, BALANCER, STARTER GEAR, AND PISTON ASSEMBLIES

0745-160

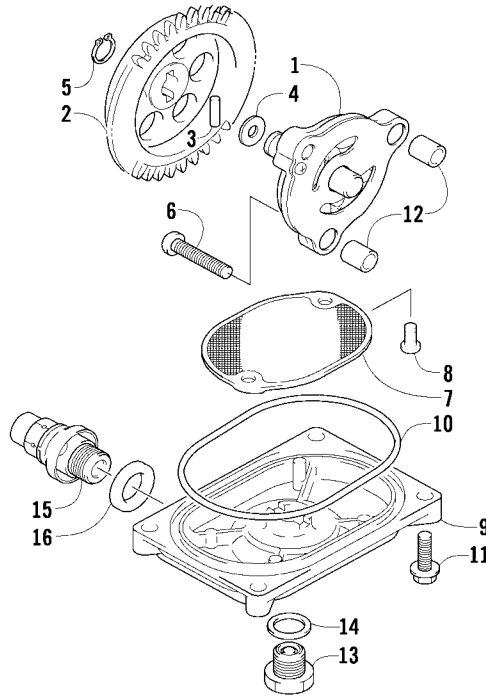
Ref	Part No.	New Qty	Description	Ref	Part No.	New Qty	Description
1	0805-333	1	Piston Set (inc. 2-4)	13	0815-031	1	Gear, Starter Idler - No. 1
2	0805-320	1	● Ring, Piston - Set	14	0815-007	1	Pin, Starter Idler Gear No. 1
3	0831-060	2	● Circlip	15	0815-022	1	Gear, Starter Idler - No. 2
4	0805-023	1	● Pin, Piston	16	0815-015	1	Pin, Starter Idler Gear No. 2
5	0805-013	1	Crankshaft Assembly	17	0826-118	1	Screw, Cap
6	0829-039	1	Key	18	0828-091	1	Washer
7	0815-023	1	Gear, Starter Clutch (inc. 8)	19	0811-009	1	Gear, Oil Pump Drive
8	0832-069	1	● Bearing	20	0811-006	1	Gear, Driven
9	0802-044	1	Clutch, One-Way	21	3304-144	1	Pin, Alignment
10	3306-705	1	Nut	22	0829-037	1	Key
11	0811-036	1	Gear, Drive	23	0811-035	1	Balancer, Crank
12	3303-333	1	Nut				



CLUTCH/DRIVE BELT/MAGNETO COVER ASSEMBLY

0745-196

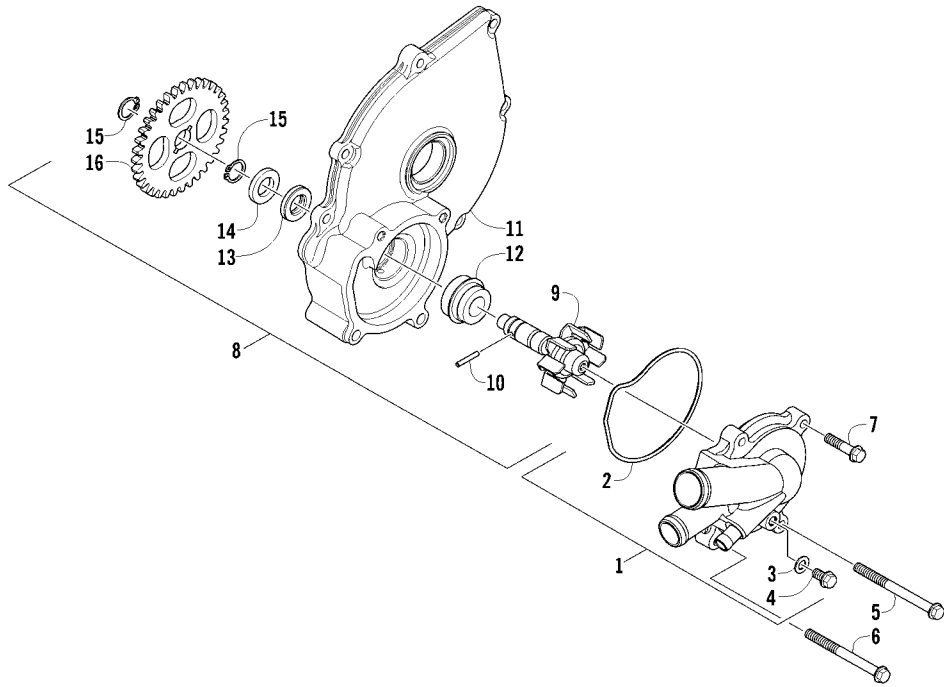
Ref	Part No.	New Qty	Description	Ref	Part No.	New Qty	Description
1	0806-026	1	Cover, Clutch	19	0826-068	1	Screw, Cap
2	0830-055	1	Gasket	20	0806-122	1	Cover, Magneto
3	0830-157	1	Seal	21	0830-057	1	Gasket
4	0832-071	1	Bearing	22	0806-099	1	Plug
5	0822-104	2	Retainer, Bearing	23	0830-141	1	Washer, Crush
6	0826-144	5	Screw, Machine	24	0806-029	1	Stick, Oil Level (inc. 25)
7	0806-103	1	Plate, Air Intake	25	3304-102	1	● O-Ring, Oil Level Stick
8	3303-386	18	Screw, Cap	26	0832-053	1	Bearing
9	0806-027	1	Cover, Drive Belt	27	3305-943	1	Ring, Retaining
10	0830-056	1	Gasket	28	3305-944	1	Bearing
11	0829-046	6	Pin, Dowel	29	3305-942	1	Ring, Retaining
12	0832-023	1	Bearing	30	0830-206	1	Gasket
13	3303-347	1	Circlip	31	3301-716	2	Pin, Dowel
14	3303-365	2	Plug, Drain	32	0812-087	1	Cap, Inspection (inc. 33)
15	3303-591	3	Gasket, Drain Plug	33	0835-016	1	● O-Ring
16	3304-903	22	Screw, Cap	34	0826-136	1	Screw, Cap
17	0826-066	1	Screw, Cap	35	3303-383	5	Screw, Cap
18	3304-191	2	Screw, Cap				



OIL PUMP AND STRAINER ASSEMBLY

0743-030

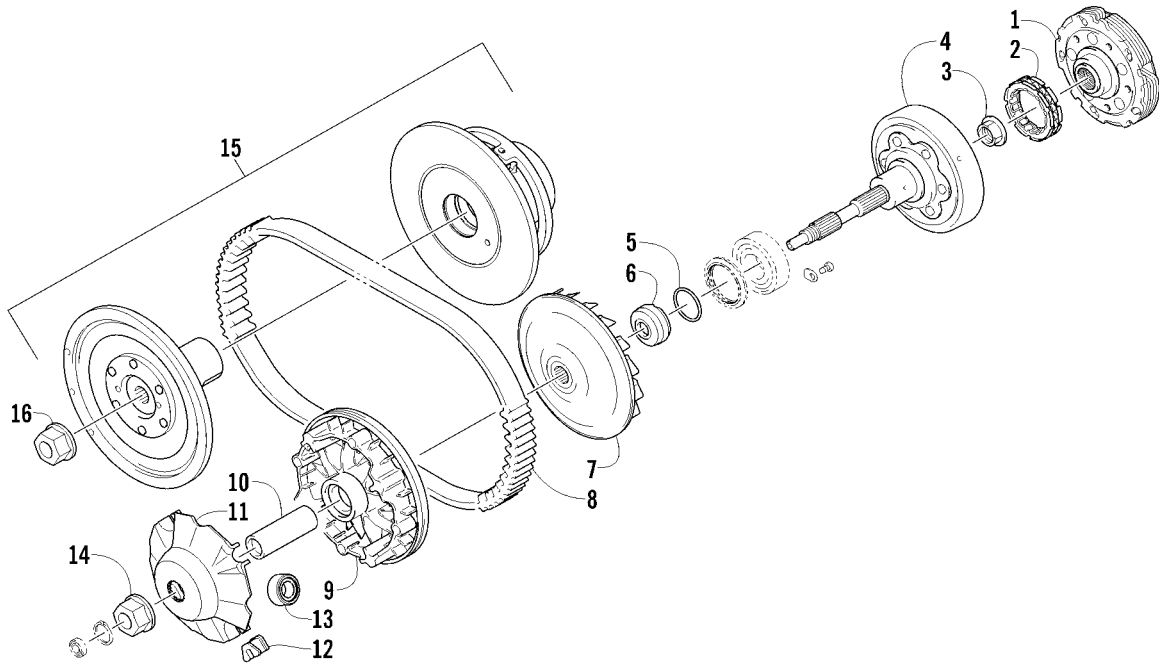
Ref	Part No.	New	Qty	Description	Ref	Part No.	New	Qty	Description
1	0812-069	1	1	Pump, Oil	9	0812-038	1	1	Cap, Oil Strainer
2	0812-010	1	1	Gear, Driven	10	0830-159	1	1	O-Ring
3	0812-036	1	1	Pin, Dowel	11	3303-384	4	4	Screw, Cap
4	0828-007	1	1	Washer	12	0829-033	2	2	Pin, Dowel
5	3304-146	1	1	Ring, Retaining	13	0812-065	1	1	Plug, Drain
6	0826-131	3	3	Screw, Machine	14	0830-143	1	1	Gasket
7	0812-049	1	1	Strainer, Oil	15	0812-067	1	1	Valve, Oil-Relief - Assembly (inc. 16)
8	3313-722	2	2	Screw, Cap	16	0830-181	1	1	● O-Ring



WATER PUMP ASSEMBLY

0745-190

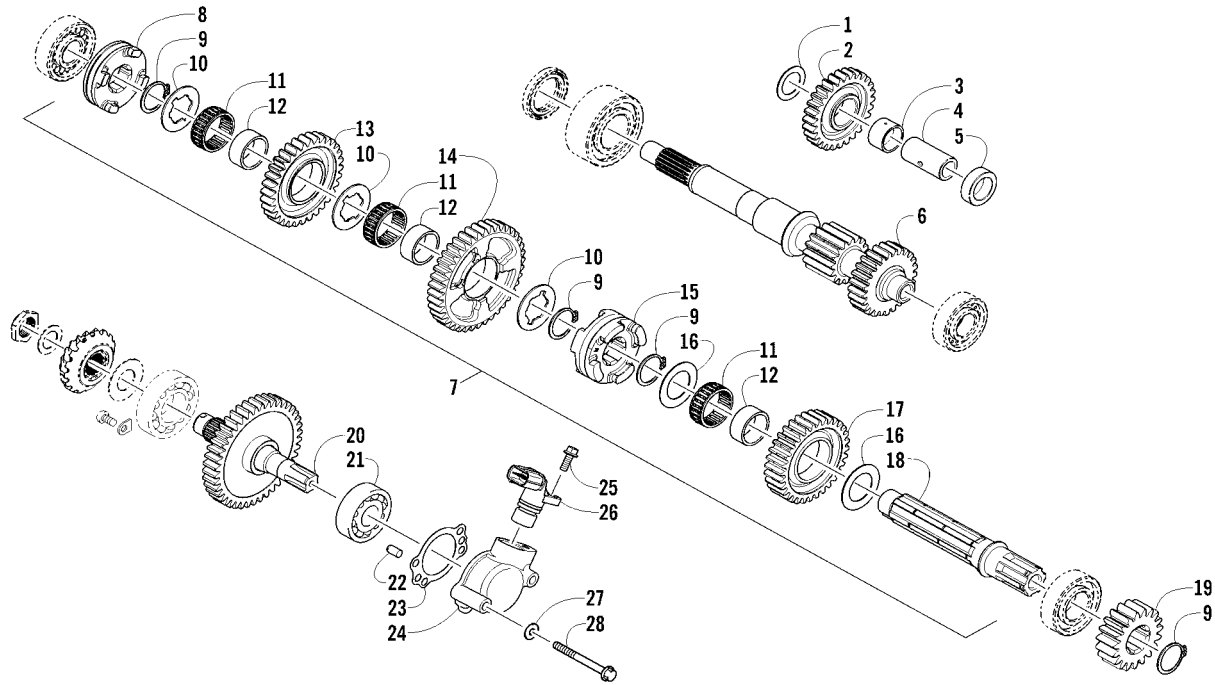
Ref	Part No.	New	Qty	Description	Ref	Part No.	New	Qty	Description
1	0813-054		1	Cover, Water Pump - Assembly (inc. 2-4)	9	0813-057		1	● Shaft, Impeller - Assembly
2	0830-208		1	● O-Ring	10	0829-057		1	● Pin, Alignment
3	3304-049		1	● Washer	11	0806-123		1	● Housing, Water Pump
4	3304-186		1	● Screw, Cap	12	3305-940		1	● Seal, Mechanical
5	0826-065		1	Screw, Cap	13	0830-207		1	● Seal, Oil
6	0826-151		1	Screw, Cap	14	0828-130		1	● Washer, Thrust
7	3303-384		2	Screw, Cap	15	0831-089		2	● Circlip
8	0813-051		1	Housing, Water Pump - Assembly (inc. 9-16)	16	0811-037		1	● Gear, Driven



CLUTCH AND DRIVE BELT ASSEMBLY

0745-229

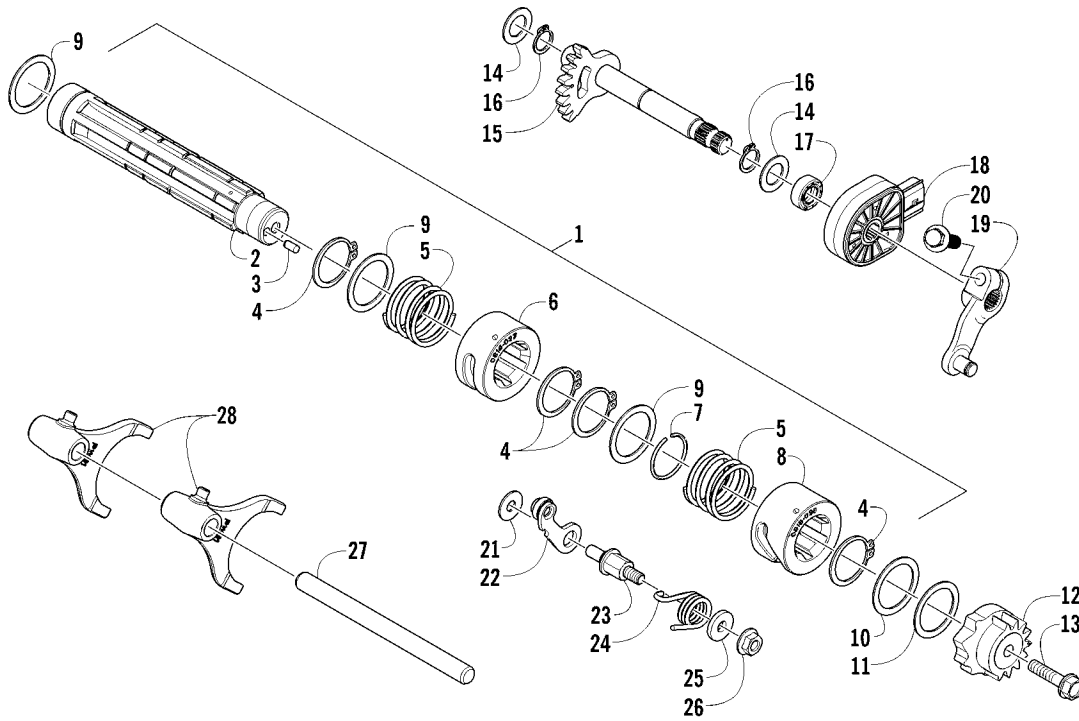
Ref	Part No.	New Qty	Description	Ref	Part No.	New Qty	Description
1	0823-328	1	Shoe, Clutch - Assembly	9	0823-324	1	Face, Movable Drive
2	0823-198	1	Clutch, One-Way	10	0823-206	1	Spacer, Movable Drive Face
3	0827-050	1	Nut	11	0823-213	1	Plate, Movable Drive Face
4	0823-338	1	Housing, Clutch	12	0823-214	4	Damper, Movable Drive Face
5	0830-187	1	O-Ring	13	0823-351	8	Roller, Movable Drive Face
6	0823-058	1	Spacer	14	3323-165	1	Nut
7	0823-313	1	Face, Fixed Drive	15	0823-350	1	Clutch, Driven - Assembly
8	0823-228	1	Belt, Drive	16	0827-058	1	Nut



SECONDARY TRANSMISSION ASSEMBLY

0745-182

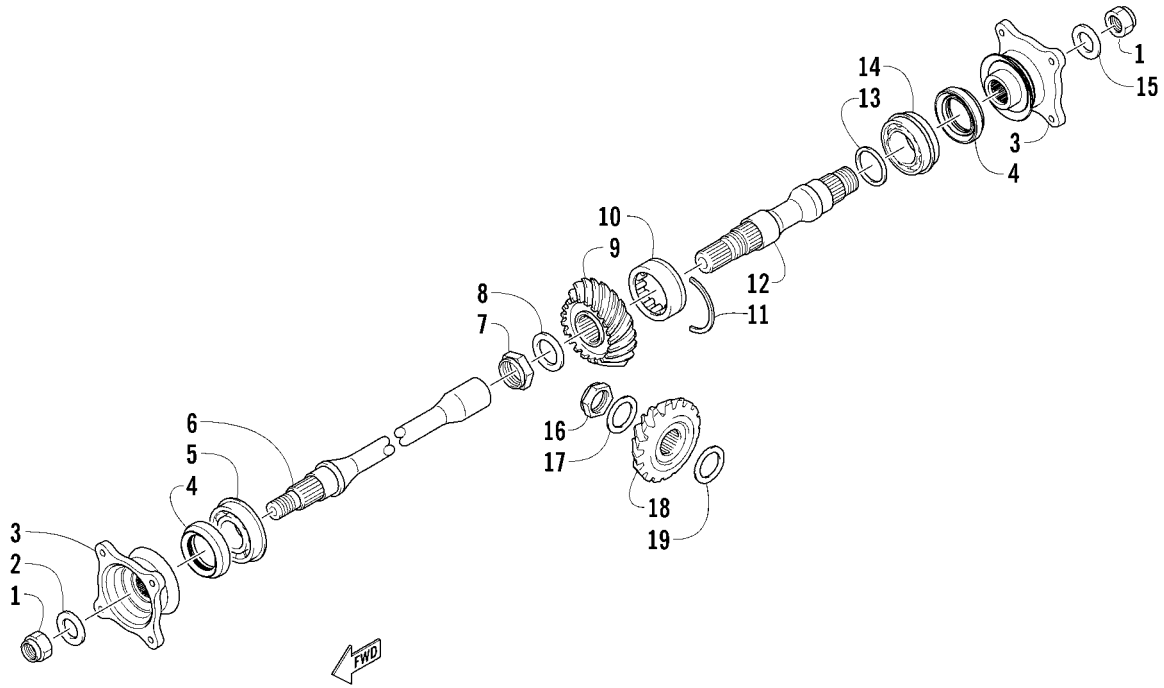
Ref	Part No.	New Qty	Description	Ref	Part No.	New Qty	Description
1	0828-081	1	Washer	15	0822-027	1	● Gear Select, Sliding
2	0822-061	1	Gear, Reverse Idle	16	3304-044	2	● Washer, Thrust
3	0822-065	1	Bushing	17	0818-119	1	● Gear, Driven - High
4	0822-064	1	Shaft, Reverse Idle	18	0822-025	1	● Countershaft
5	0822-029	1	Spacer	19	0822-028	1	Gear, Drive
6	0822-128	1	Driveshaft	20	0822-023	1	Shaft, Output
7	0822-129	1	Countershaft Assembly (inc. 8-18)	21	3304-198	1	Bearing
8	0822-033	1	● Gear Select, Reverse	22	3303-395	2	Pin, Dowel
9	3304-147	4	● Circlip	23	0830-156	1	Gasket, Housing
10	3304-045	3	● Washer	24	0822-105	1	Housing, Speedometer Sensor
11	0832-038	3	● Bearing	25	3303-382	1	Screw, Cap
12	0822-062	3	● Bushing	26	3313-172	1	Sensor, Speedometer
13	0822-032	1	● Gear, Reverse Driven	27	0830-155	2	Gasket
14	0822-063	1	● Gear, Driven - Low	28	3303-387	2	Screw, Cap



GEAR SHIFTING ASSEMBLY

0745-857

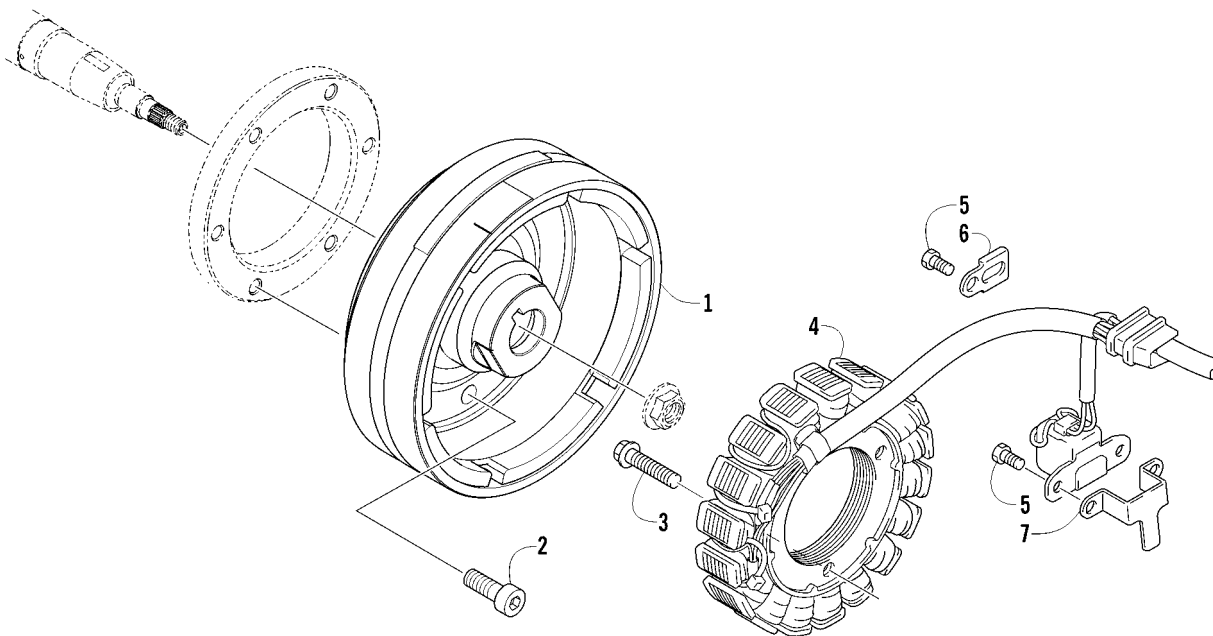
Ref	Part No.	New Qty	Description	Ref	Part No.	New Qty	Description
1	0818-126	1	Shaft, Gear Shift - Assembly (inc. 2-8 and two No. 9)	15	0818-113	1	Shaft, Sub-Gear Shift (inc. 16)
2	0818-125	1	● Shaft, Gear Shift	16	0831-056	2	● Ring, Retaining
3	3304-439	1	● Pin, Dowel	17	0830-179	1	Seal
4	3304-147	4	● Circlip	18	3306-259	1	Switch, Gear Position
5	0818-060	2	● Spring	19	3306-316	1	Arm, Select
6	0818-117	1	● Cam, Reverse	20	3304-551	1	Screw, Cap
7	0831-016	1	● C-Ring	21	0828-083	1	Washer
8	0818-116	1	● Cam, Gear Shift	22	0818-084	1	Stopper, Cam
9	0828-079	3	● Washer	23	0818-062	1	Support, Cam Stopper
10	0828-081	1	Washer, Thrust	24	0818-109	1	Spring
11	0828-080	1	Washer, Thrust	25	0828-082	1	Washer
12	0818-061	1	Plate, Gear Shift Cam	26	3304-654	1	Nut, Lock
13	3304-569	1	Screw, Cap	27	0818-021	1	Shaft, Shift Fork
14	0828-084	2	Washer	28	0818-088	2	Fork, Shift



SECONDARY DRIVE ASSEMBLY

0745-779

Ref	Part No.	New Qty	Description	Ref	Part No.	New Qty	Description
1	3306-428	2	Nut		0828-088	AR	Shim, 25 x 34 x 1.15mm
2	3304-958	1	Washer		3305-966	AR	Shim, 25 x 34 x 1.20mm
3	0819-022	2	Flange, Output Joint		3305-967	AR	Shim, 25 x 34 x 1.25mm
4	0830-144	2	Seal, Oil	14	0832-041	1	Bearing
5	0832-026	1	Bearing	15	3306-226	1	Washer
6	0819-020	1	Shaft, Secondary Driven	16	0827-047	1	Nut
7	0827-022	1	Nut	17	3304-042	1	Washer, Thrust
8	0828-090	1	Washer	18	0819-018	1	Gear, Secondary Drive
9	0819-019	1	Gear, Secondary Driven	19	3306-009	AR	Shim, 30 x 48 x 0.60 mm
10	0832-040	1	Bearing		3306-010	AR	Shim, 30 x 48 x 0.65 mm
11	0819-070	1	C-Ring		3306-011	AR	Shim, 30 x 48 x 0.70 mm
12	0819-021	1	Shaft, Secondary Driven		3306-012	AR	Shim, 30 x 48 x 0.75 mm
13	3305-955	AR	Shim, 25 x 34 x 0.60mm		3306-013	AR	Shim, 30 x 48 x 0.80 mm
	3305-956	AR	Shim, 25 x 34 x 0.65mm		3306-014	AR	Shim, 30 x 48 x 0.85 mm
	3305-957	AR	Shim, 25 x 34 x 0.70mm		3306-015	AR	Shim, 30 x 48 x 0.90 mm
	3305-958	AR	Shim, 25 x 34 x 0.75mm		3306-016	AR	Shim, 30 x 48 x 0.95 mm
	3305-959	AR	Shim, 25 x 34 x 0.80mm		3306-017	AR	Shim, 30 x 48 x 1.00 mm
	3305-960	AR	Shim, 25 x 34 x 0.85mm		3306-018	AR	Shim, 30 x 48 x 1.05 mm
	3305-961	AR	Shim, 25 x 34 x 0.90mm		3306-019	AR	Shim, 30 x 48 x 1.10 mm
	3305-962	AR	Shim, 25 x 34 x 0.95mm		3306-020	AR	Shim, 30 x 48 x 1.15 mm
	3305-963	AR	Shim, 25 x 34 x 1.00mm		3306-021	AR	Shim, 30 x 48 x 1.20 mm
	3305-964	AR	Shim, 25 x 34 x 1.05mm		3306-022	AR	Shim, 30 x 48 x 1.25 mm
	3305-965	AR	Shim, 25 x 34 x 1.10mm				



MAGNETO ASSEMBLY

0745-201

Ref	Part No.	New Qty	Description	Ref	Part No.	New Qty	Description
1	0802-057	1	Rotor/Flywheel	5	3303-308	3	Screw, Cap
2	0826-120	6	Screw, Cap	6	0802-003	1	Clamp, Routing
3	3305-945	3	Screw, Cap	7	0802-004	1	Clamp, Routing
4	3323-200	1	Stator Assembly				

