

2014 ARCTIC CAT[®]

ILLUSTRATED PARTS MANUAL



DVX 300 EURO

Model Number A2014KSF2BEUZ

ARCTIC CAT[®]
SHARE OUR PASSION.™

www.arcticcat.com

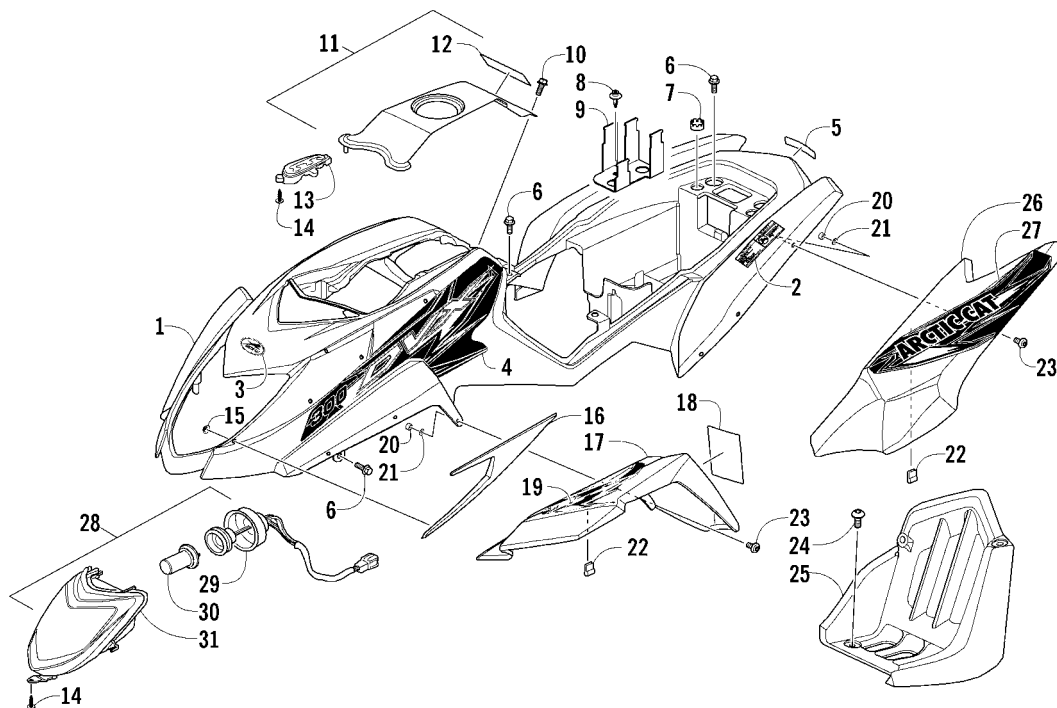
TABLE OF CONTENTS

2014 DVX 300 EURO

(Model No. A2014KSF2BEUZ)

BODY PANEL AND HEADLIGHT ASSEMBLY	1
FRONT FRAME AND RELATED PARTS ASSEMBLY	2
REAR FRAME, TAILLIGHT, AND RELATED PARTS ASSEMBLY	3
SEAT, BATTERY, AND TOOL KIT ASSEMBLIES	4
STEERING ASSEMBLY	5
HANDLEBAR AND CONTROLS ASSEMBLY	6
INSTRUMENT POD ASSEMBLY	7
FRONT SUSPENSION ASSEMBLY	8
FRONT WHEELS AND BRAKE ASSEMBLY	9
REAR SUSPENSION ASSEMBLY	10
REAR AXLE AND BRAKE ASSEMBLY	11
REAR WHEEL ASSEMBLY	12
HYDRAULIC AND PARKING BRAKE ASSEMBLIES	13
GAS TANK ASSEMBLY	14
SHIFT LEVER ASSEMBLY	15
AIR INTAKE ASSEMBLY	16
EXHAUST ASSEMBLY	17
COOLING ASSEMBLY	18
COOLING DUCT ASSEMBLY	19
ELECTRICAL AND WIRING HARNESS ASSEMBLY	20
CARBURETOR ASSEMBLY	21
CYLINDER HEAD AND CAMSHAFT/VALVE ASSEMBLY	22
REED VALVE ASSEMBLY	23
CAM CHAIN ASSEMBLY	24
RIGHT CRANKCASE AND COVER ASSEMBLY	25
LEFT CRANKCASE AND COVER ASSEMBLY	26
PISTON AND CRANKSHAFT ASSEMBLY	27
TRANSMISSION CASE ASSEMBLY	28
TRANSMISSION ASSEMBLY	29
CLUTCH ASSEMBLY	30
STARTER MOTOR, MAGNETO, AND OIL PUMP ASSEMBLY	31

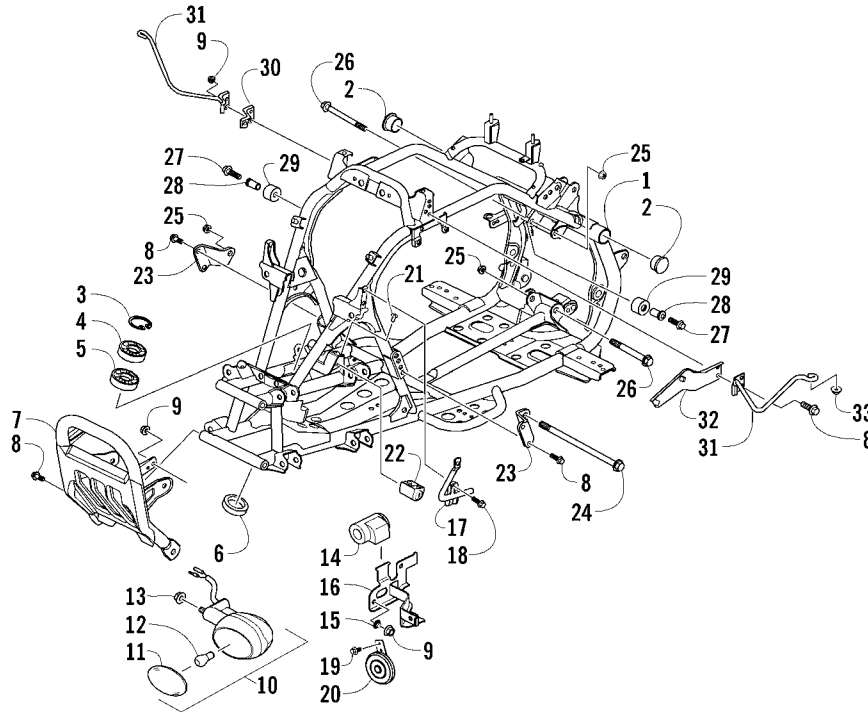
■ **NOTE:** The illustrations used in this Parts Manual are for reference to replacement part numbers only and are not to be used for assembly. For assembly procedures, use an Arctic Cat Service Manual. For a complete list of related items, refer to the current accessory catalog.



BODY PANEL AND HEADLIGHT ASSEMBLY

0747-220

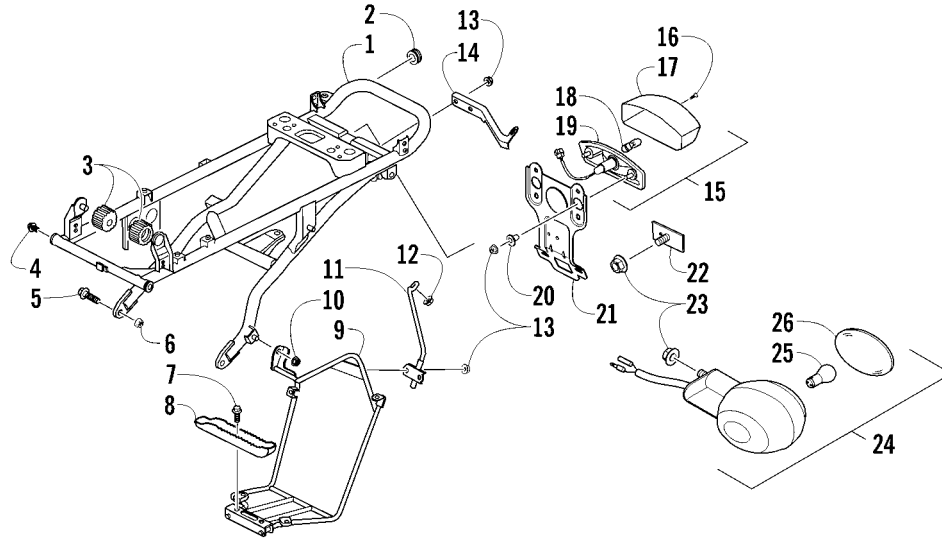
Ref	Part No.	New	Qty	Description	Ref	Part No.	New	Qty	Description
1	3306-891	X	1	Body, Main - Green (inc. 2)	17	3304-388		1	Fender, Front - Right - Green
2	2411-256		1	● Decal, Warning - Passenger/Tire Pressure	3304-390			1	Fender, Front - Left - Green
3	9611-752		1	Decal, "Arctic Cat"	18	3304-806		1	Decal, Warning - General
4	3411-598	X	1	Decal, Side - "DVX 300" - Right	19	3411-596	X	1	Decal, Fender - Front Right
	3411-599	X	1	Decal, Side - "DVX 300" - Left		3411-597	X	1	Decal, Fender - Front Left
5	0411-814		1	Decal, "Arctic Cat"	20	3304-431		12	Nut, Lock
6	3304-587		7	Screw, Cap	21	3304-432		12	Washer
7	3303-232		2	Grommet	22	3304-683		4	Clip, Fender
8	3304-057		1	Clip, Retaining	23	3304-406		12	Screw, Machine
9	3304-339		1	Bracket, Mounting - Starter/Magneto Switch	24	3304-404		8	Screw, Machine
10	3304-029		2	Screw, Machine	25	3306-050		1	Mudguard, Floor - Right
11	3306-096		1	Cover, Gas Tank - Black (inc. 12)		3306-051		1	Mudguard, Floor - Left
12	1411-109		1	● Decal, Warning - Reverse	26	3304-394		1	Fender, Rear - Right - Green
13	3304-381		1	Guide, Shift Handle		3304-398		1	Fender, Rear - Left - Green
14	3304-650		8	Screw, Self-Tapping	27	3411-600	X	1	Decal, Fender - Rear Right
15	3304-418		10	Nut, Stamped		3411-601	X	1	Decal, Fender - Rear Left
16	3304-383		1	Panel, Trim - Right - Black	28	3304-280		1	Headlight - Assembly (inc. 29-31)
	3304-517		1	Panel, Trim - Left - Black	29	3304-282		1	● Socket Assembly
					30	3303-846		1	● Bulb, Headlight
					31	3304-281		1	● Lens, Headlight



FRONT FRAME AND RELATED PARTS ASSEMBLY

0748-228

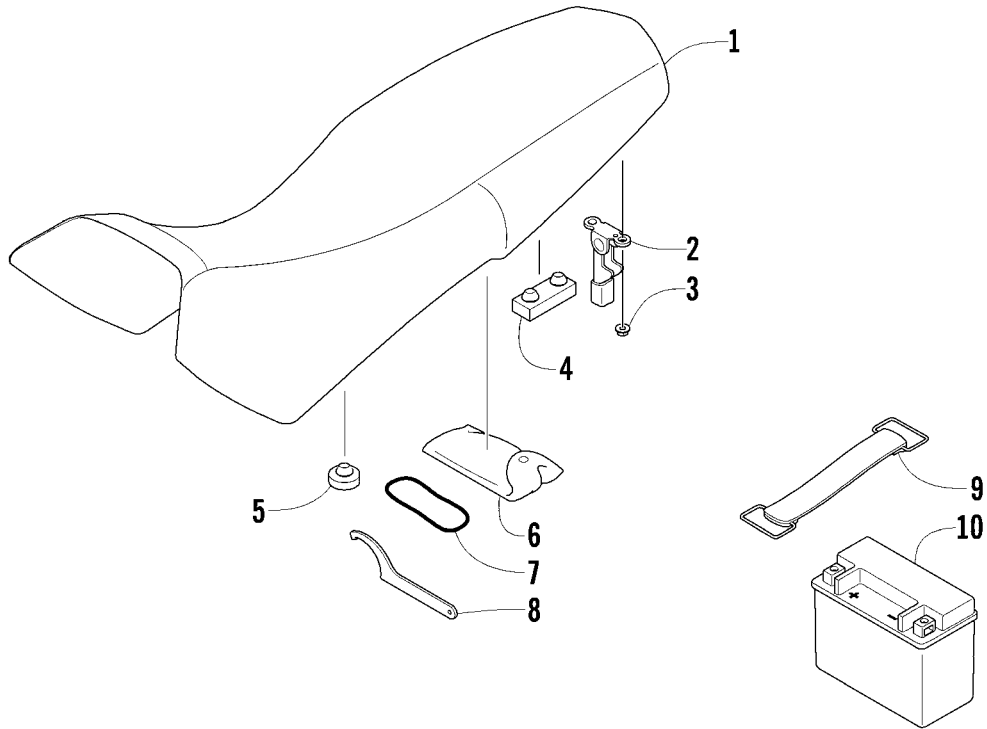
Ref	Part No.	New Qty	Description	Ref	Part No.	New Qty	Description
1	3304-716	1	Frame, Main - Front	18	3304-553	6	Screw, Cap
2	3304-658	2	End Cap, Frame	19	3303-365	1	Screw, Cap
3	3304-150	1	Ring, Retaining	20	3304-776	1	Horn, Electric - 12V
4	3304-203	1	Bearing	21	3305-395	2	Screw, Machine
5	3303-298	1	Seal, Oil	22	3305-392	1	Lock, Steering
6	3304-064	1	Seal, Dust	23	3303-938	2	Bracket, Mounting - Engine
7	3305-270	1	Bumper, Front	24	3304-184	1	Screw, Cap
8	3304-543	12	Screw, Cap	25	3304-031	3	Nut
9	3304-654	6	Nut, Lock	26	3304-183	2	Screw, Cap
10	3304-731	1	Turn Signal - Right - Assembly (inc. 11-12)	27	3304-408	2	Screw, Cap
	3304-810	1	Turn Signal - Left - Assembly (inc. 11-12)	28	3304-701	2	Insert
11	3305-363	1	● Lens - Right	29	3304-362	2	Grommet
	3305-364	1	● Lens - Left	30	3303-740	1	Bracket, Mounting - Radiator
12	3304-825	2	● Bulb	31	3304-350	1	Bracket, Mounting - Fender Support - Right
13	3304-774	2	Nut, Lock		3304-351	1	Bracket, Mounting - Fender Support - Left
14	3304-777	1	Relay, Turn Signal	32	3304-728	1	Bracket, Support - Gas Tank
15	3303-226	2	Inserts	33	3304-417	2	Nut, Stamped
16	3304-722	1	Bracket, Turn Signal Relay				
17	3304-726	1	Bracket, Support - Fender - Front - Right				
	3304-809	1	Bracket, Support - Fender - Front - Left				



REAR FRAME, TAILLIGHT, AND RELATED PARTS ASSEMBLY

0746-100

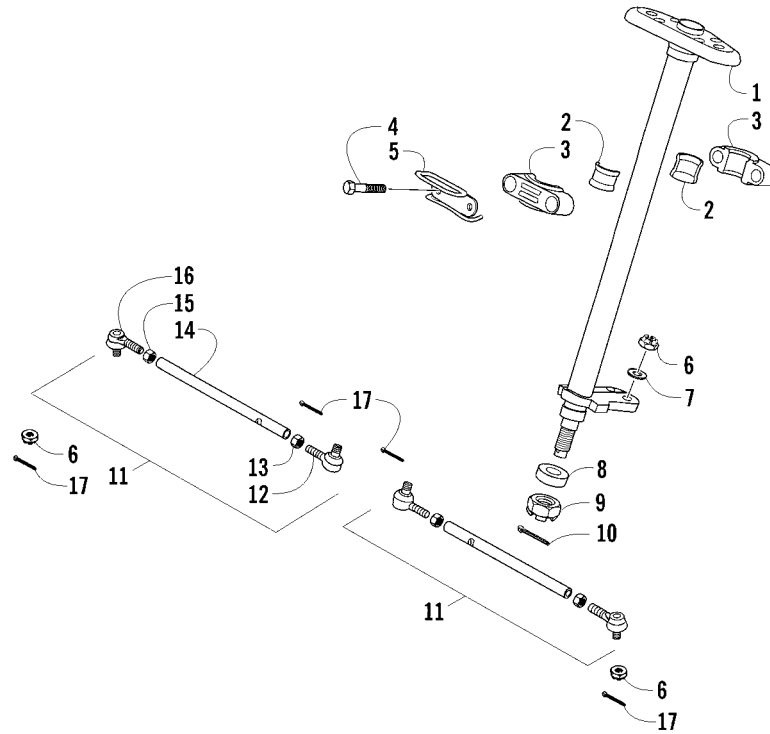
Ref	Part No.	New Qty	Description	Ref	Part No.	New Qty	Description
1	3304-729	1	Frame, Main - Rear	15	3304-739	1	Taillight - Assembly (inc. 16-19)
2	3303-239	2	Grommet	16	3304-537	2	● Screw, Machine
3	3304-245	2	Support, Gas Tank	17	3306-583	1	● Lens, Taillight
4	3304-435	2	Screw, Cap	18	3303-849	1	● Bulb, Taillight
5	3304-181	2	Screw, Cap	19	3303-422	1	● Base, Taillight
6	3303-333	2	Nut, Lock	20	3303-226	2	Insert
7	3304-543	4	Screw, Cap	21	3304-724	1	Mount, License Plate
8	3304-346	2	Footpeg	22	3304-737	2	Reflector, Rear - Red
9	3304-354	1	Bracket, Mounting - Fender - Right	23	3304-774	4	Nut, Lock
	3304-356	1	Bracket, Mounting - Fender - Left	24	3304-732	1	Turn Signal - Right - Assembly (inc. 25-26)
10	3303-332	3	Nut, Lock				Turn Signal - Left - Assembly (inc. 25-26)
11	3304-348	1	Bracket, Support - Fender - Rear - Right	3304-811	1	Turn Signal - Left - Assembly (inc. 25-26)	
	3304-349	1	Bracket, Support - Fender - Rear - Left				
12	3304-417	2	Nut, Stamped	25	3304-825	2	● Bulb
13	3304-654	10	Nut, Lock	26	3305-363	1	● Lens - Right
14	3304-725	1	Bracket, Mounting - Fender - Rear - Right	3305-364	1	● Lens - Left	
	3304-812	1	Bracket, Mounting - Fender - Rear - Left				



SEAT, BATTERY, AND TOOL KIT ASSEMBLIES

0743-936

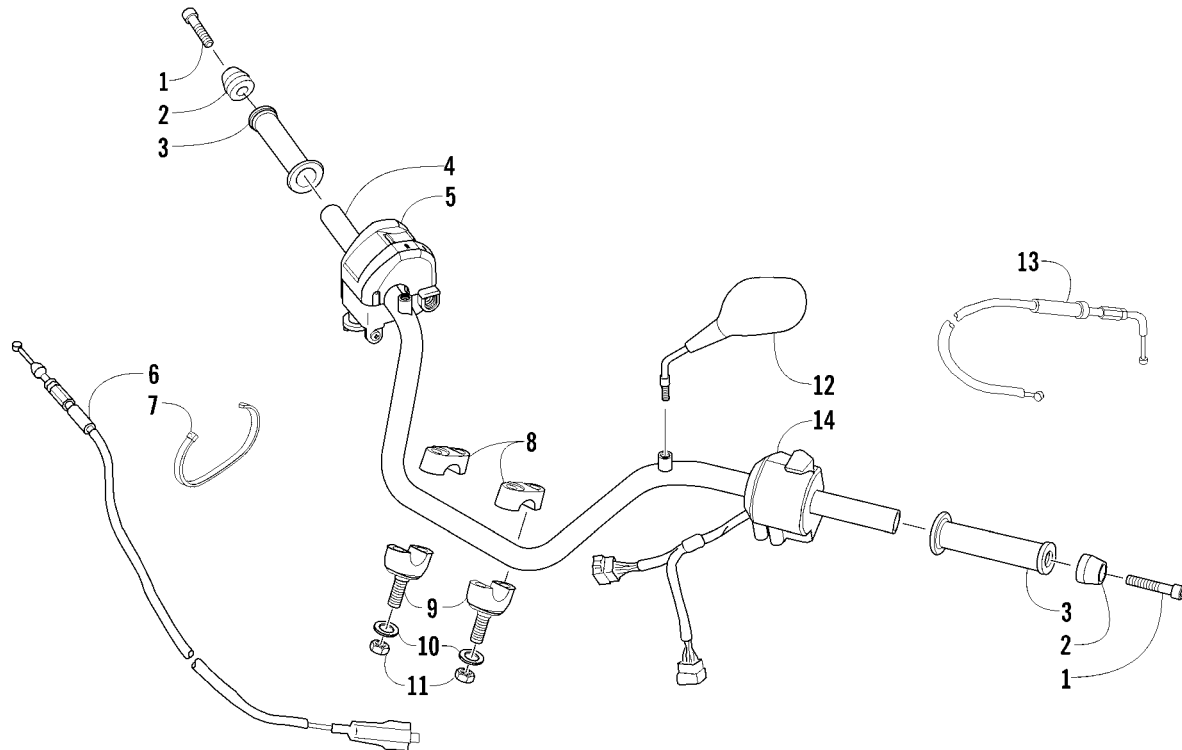
Ref	Part No.	New Qty	Description	Ref	Part No.	New Qty	Description
1	3304-391	1	Seat Assembly (inc. 2-3)	6	3304-400	1	Kit, Tool
2	3304-392	1	● Latch, Seat	7	3303-242	1	Retainer, Tool Kit
3	3305-929	2	● Nut	8	1441-797	1	Wrench, Spanner - Optional
4	3306-579	2	Bumper, Seat - Rear	9	3304-434	1	Hold-Down, Battery
5	-	2	Bumper, Seat - Front - Part Number not Available	10	3304-275	1	Battery



STEERING ASSEMBLY

0745-072

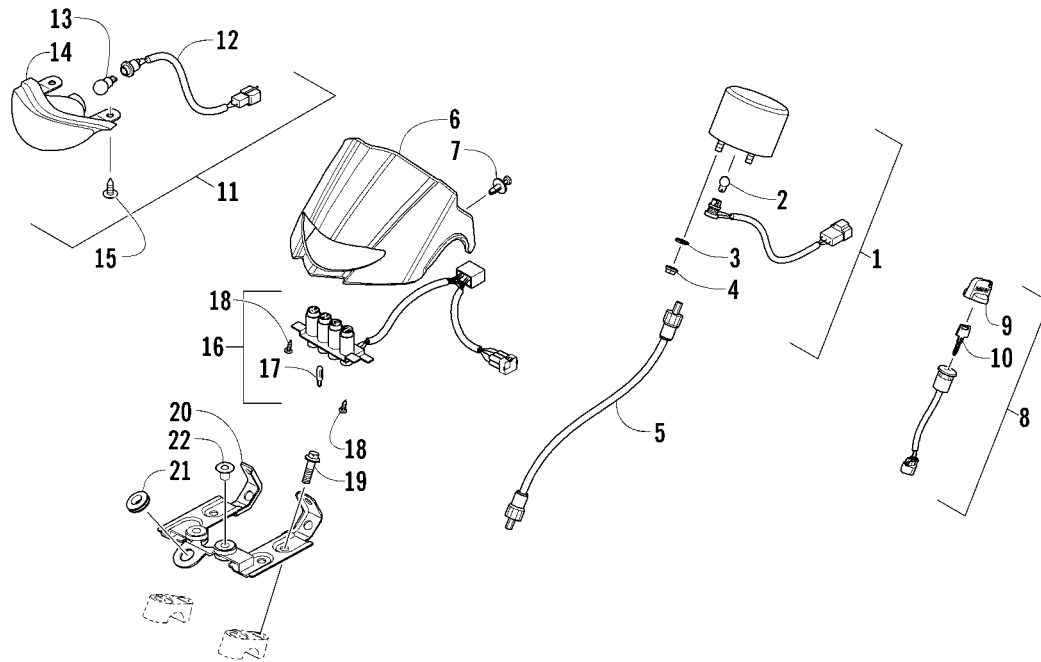
Ref	Part No.	New Qty	Description	Ref	Part No.	New Qty	Description
1	3304-794	1	Post, Steering	10	3303-470	1	Pin, Cotter
2	3305-496	1	Bushing	11	3305-634	2	Tie Rod - Assembly (inc. 12-16)
3	3303-961	2	Block, Mounting - Steering Post	12	3303-973	2	● Ball Joint, Tie Rod - Left
4	3304-649	2	Screw, Cap	13	3303-327	2	● Nut, Hex - Left
5	3303-962	1	Clamp, Mounting Block	14	3305-635	2	● Tube, Tie Rod
6	3304-130	4	Nut, Castle	15	3303-326	2	● Nut, Hex - Right
7	3304-136	2	Washer	16	3303-971	2	● Ball Joint, Tie Rod - Right
8	3303-960	1	Spacer	17	3304-143	4	Pin, Cotter
9	3304-032	1	Nut, Castle				



HANDLEBAR AND CONTROLS ASSEMBLY

0746-101

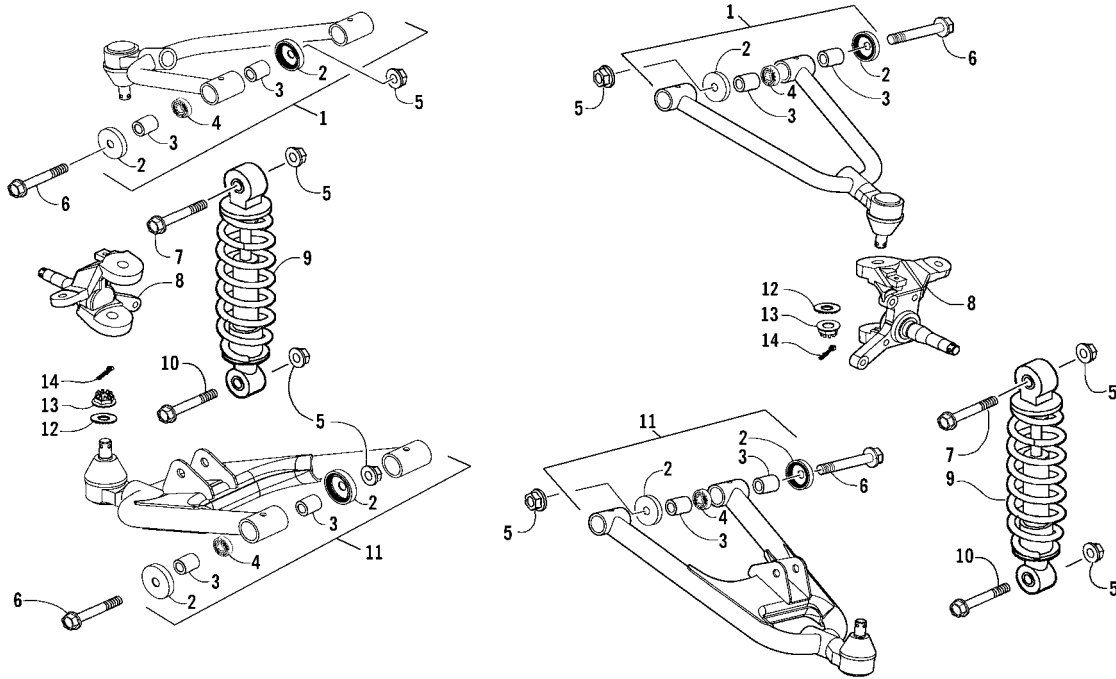
Ref	Part No.	New Qty	Description	Ref	Part No.	New Qty	Description
1	3304-016	2	Screw, Cap	9	3303-955	2	Retainer, Handlebar - Lower
2	3305-541	2	End Cap, Handlebar	10	3304-136	2	Washer
3	3305-905	2	Grip, Handlebar	11	3306-189	2	Nut
4	3304-723	1	Handlebar	12	3304-803	1	Mirror - Right
5	3303-953	1	Lever, Throttle - Assembly		3304-816	1	Mirror - Left
6	3305-414	1	Cable, Throttle	13	3305-632	1	Cable, Choke
7	3303-839	AR	Tie, Cable	14	3304-736	1	Switch, Control - Assembly
8	3303-954	2	Retainer, Handlebar - Upper				



INSTRUMENT POD ASSEMBLY

0748-229

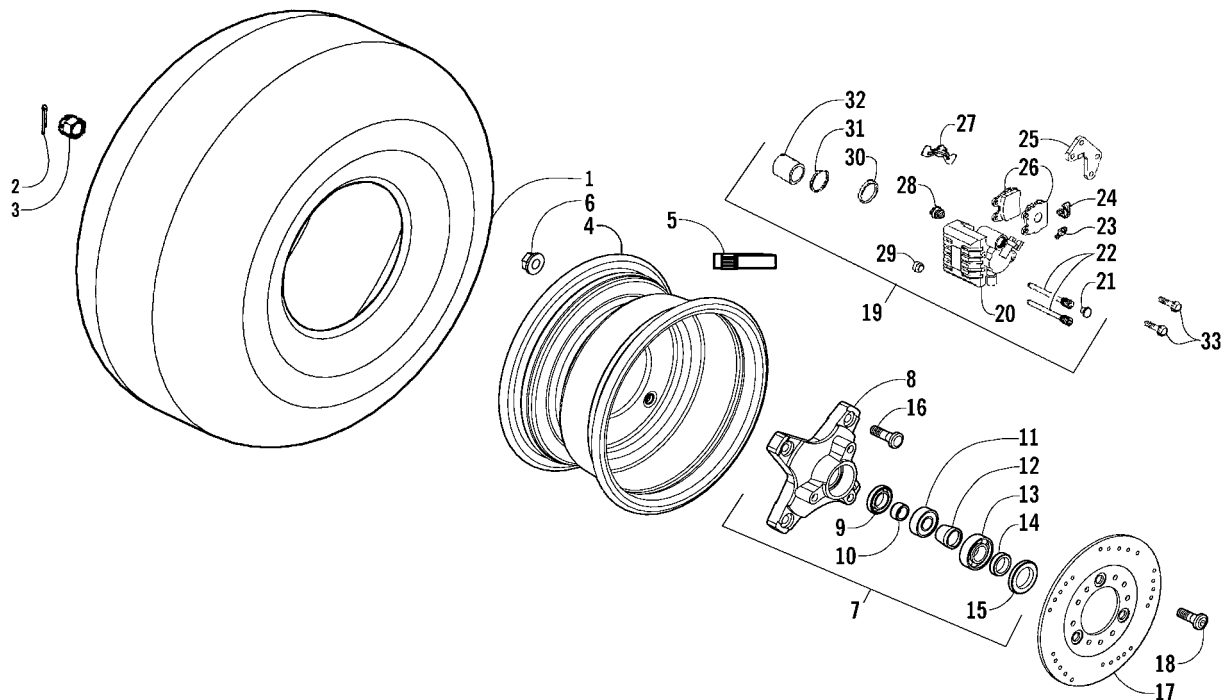
Ref	Part No.	New	Qty	Description	Ref	Part No.	New	Qty	Description
1	3304-733	1	1	Gauge, Speedometer (inc. 2)	12	3305-362	1	1	● Harness
2	3305-370	1	1	● Bulb	13	3303-847	1	1	● Bulb
3	3304-734	2	2	Washer	14	3305-361	1	1	● Lens
4	3304-654	2	2	Nut, Lock	15	3304-651	2	2	Screw, Self-Tapping
5	3303-906	1	1	Cable, Speedometer	16	3304-285	1	1	Pilot Lamp - Assembly (inc. 17)
6	3304-712	1	1	Instrument Pod - Black	17	3304-284	4	4	● Bulb
7	3303-592	2	2	Clip, Retaining	18	3304-650	2	2	Screw, Self-Tapping
8	3304-771	1	1	Switch, Ignition - Assembly (inc. 9-10)	19	3305-400	4	4	Screw, Cap
9	3304-522	1	1	● Cover, Key - "Arctic Cat"	20	3304-727	1	1	Bracket, Instrument Pod
10	3304-520	1	1	● Key, Ignition - Set - Right-Side Cut	21	3303-239	3	3	Grommet
	3304-521	1	1	● Key, Ignition - Set - Left-Side Cut	22	3303-226	2	2	Inserts
11	3304-740	1	1	Running Light Assembly (inc. 12-14)					



FRONT SUSPENSION ASSEMBLY

0740-832

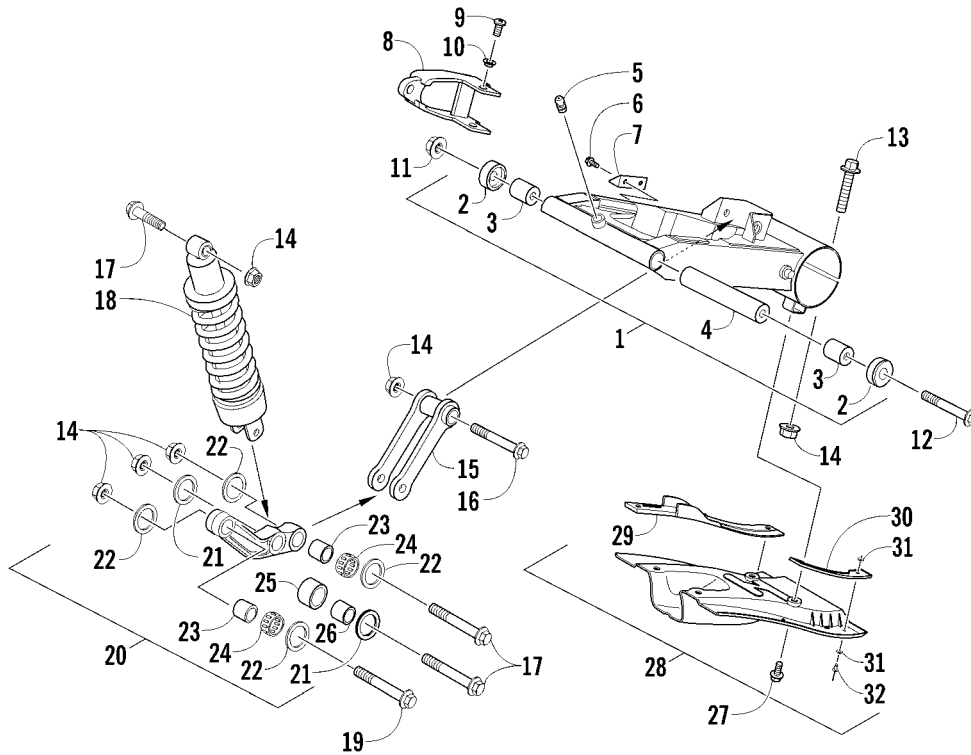
Ref	Part No.	New Qty	Description	Ref	Part No.	New Qty	Description
1	3305-682	1	A-Arm Assembly - Upper Right (inc. 2-4)	9	3306-747	2	Shock/Spring Assembly - White
	3305-683	1	A-Arm Assembly - Upper Left (inc. 2-4)	10	3304-595	2	Screw, Cap
2	3304-090	16	● Seal	11	3305-684	1	A-Arm Assembly - Lower Right (inc. 2-4)
3	3304-689	16	● Bushing		3305-685	1	A-Arm Assembly - Lower Left (inc. 2-4)
4	3304-199	8	● Bearing	12	3303-335	4	Washer
5	3304-031	12	Nut	13	3303-328	4	Nut, Castle
6	3304-182	8	Screw, Cap	14	3303-470	4	Pin, Cotter
7	3303-376	2	Screw, Cap				
8	3304-336	1	Knuckle - Assembly - Right				
	3304-337	1	Knuckle - Assembly - Left				



FRONT WHEELS AND BRAKE ASSEMBLY

0741-379

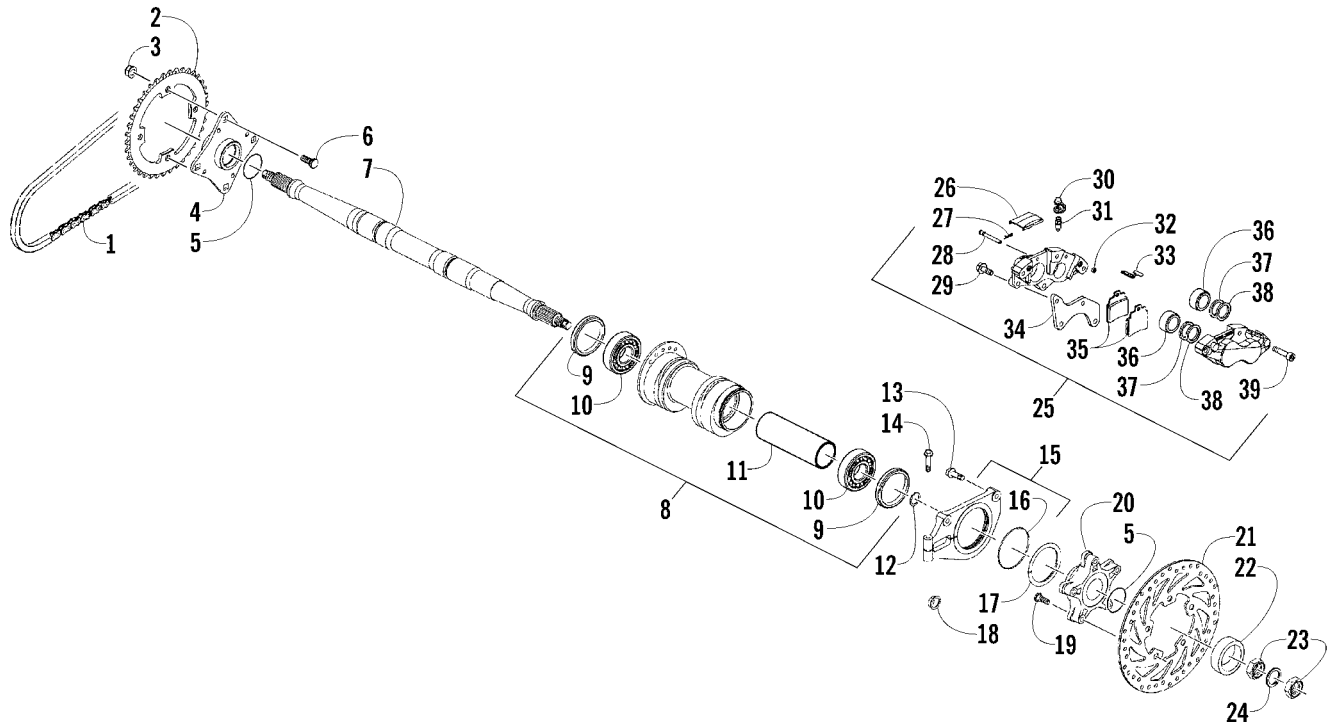
Ref	Part No.	New	Qty	Description	Ref	Part No.	New	Qty	Description
1	3306-592		2	Tire, Front	20	-		1	● Housing, Caliper - Assembly - Right - Not a Service Part
2	3303-340		2	Pin, Cotter		-		1	● Housing, Caliper - Assembly - Left - Not a Service Part
3	3303-330		2	Nut, Castle		-			
4	3304-310		2	Wheel, Front					
5	3303-887		2	Stem, Valve	21	3304-333		2	● Plug
6	3304-028		8	Nut, Lug	22	3304-326		4	● Pin
7	3304-311		2	Hub, Wheel - Assembly - Front (inc. 8-16)	23	3304-302		2	● Valve, Bleed
8	-		2	● Hub, Wheel - Front - Not a Service Part	24	3304-303		2	● Cap, Bleed Valve
9	3304-089		2	● Seal, Oil	25	3304-317		1	● Bracket, Right
10	3303-898		2	● Collar, Wheel - Inside		3304-328		1	● Bracket, Left
11	3304-200		2	● Bearing	26	3305-258		2	● Pad, Brake - Set
12	3303-900		2	● Collar, Wheel - Center	27	3304-315		2	● Spring, Brake Pad
13	3304-202		2	● Bearing	28	3304-322		2	● Boot
14	3303-899		2	● Collar, Wheel - Outside	29	3304-329		2	● Bushing
15	3304-088		2	● Seal, Oil	30	3305-380		2	● Seal, Piston - Inner
16	3304-014		8	● Bolt, Carriage	31	3305-377		2	● Seal, Dust - Outer
17	3306-910	X	1	Disc, Brake - Front - Right	32	3304-314		2	● Piston
	3306-911	X	1	Disc, Brake - Front - Left	33	3304-174		4	Screw, Cap
18	3304-015		6	Screw, Shoulder					
19	3306-590		1	Caliper Assembly - Front - Right (inc. 20-32)					
	3306-591		1	Caliper Assembly - Front - Left (inc. 20-32)					



REAR SUSPENSION ASSEMBLY

0746-105

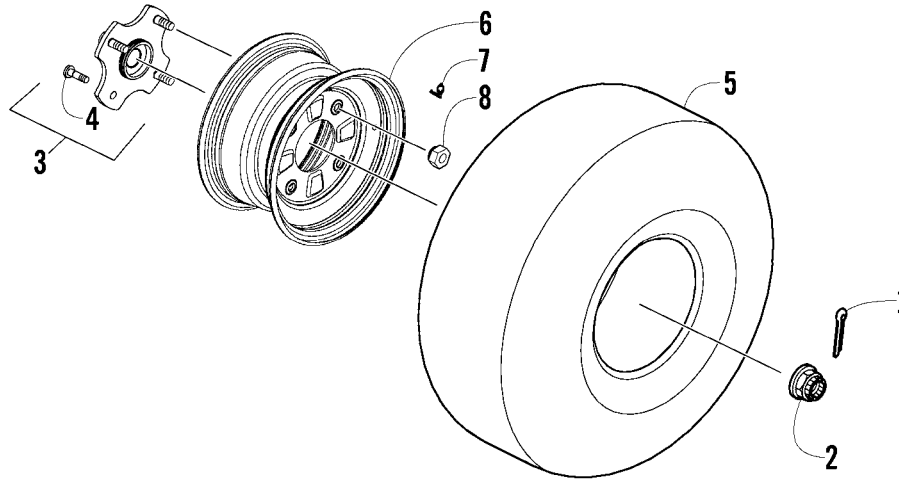
Ref	Part No.	New Qty	Description	Ref	Part No.	New Qty	Description
1	3305-646	1	Fork, Rear - Assembly (inc. 2-5)	18	3306-697	1	Shock/Spring Assembly - White
2	3303-192	2	● Seal, Dust	19	3304-436	1	Screw, Cap
3	3304-359	2	● Bushing	20	3304-363	1	Link, Shock - Assembly (inc. 21-26)
4	3304-358	1	● Axle, Rear Fork	21	3304-090	2	● Seal
5	3303-393	1	● Fitting, Grease	22	3304-459	4	● Seal
6	3304-405	2	Screw, Cap	23	3304-364	2	● Collar
7	3304-289	1	Guide, Chain	24	3304-421	2	● Bearing
8	3304-361	1	Guide, Chain	25	3304-372	1	● Sleeve
9	3304-690	3	Screw, Self-Tapping	26	3304-309	1	● Axle
10	3304-360	3	Insert	27	3304-587	4	Screw, Cap
11	3304-411	1	Nut	28	3305-972	1	Guard, Rear Suspension - Assembly (inc. 29-32)
12	3303-150	1	Screw, Cap	29	3304-287	1	● Guard, Chain
13	3306-818	2	Screw, Cap	30	3304-288	1	● Guard, Brake Disc
14	3304-031	7	Nut	31	3305-773	8	● Washer
15	3304-365	1	Link, Arm - Assembly	32	3305-774	4	● Rivet
16	3304-183	1	Screw, Cap				
17	3304-185	3	Screw, Cap				



REAR AXLE AND BRAKE ASSEMBLY

0746-113

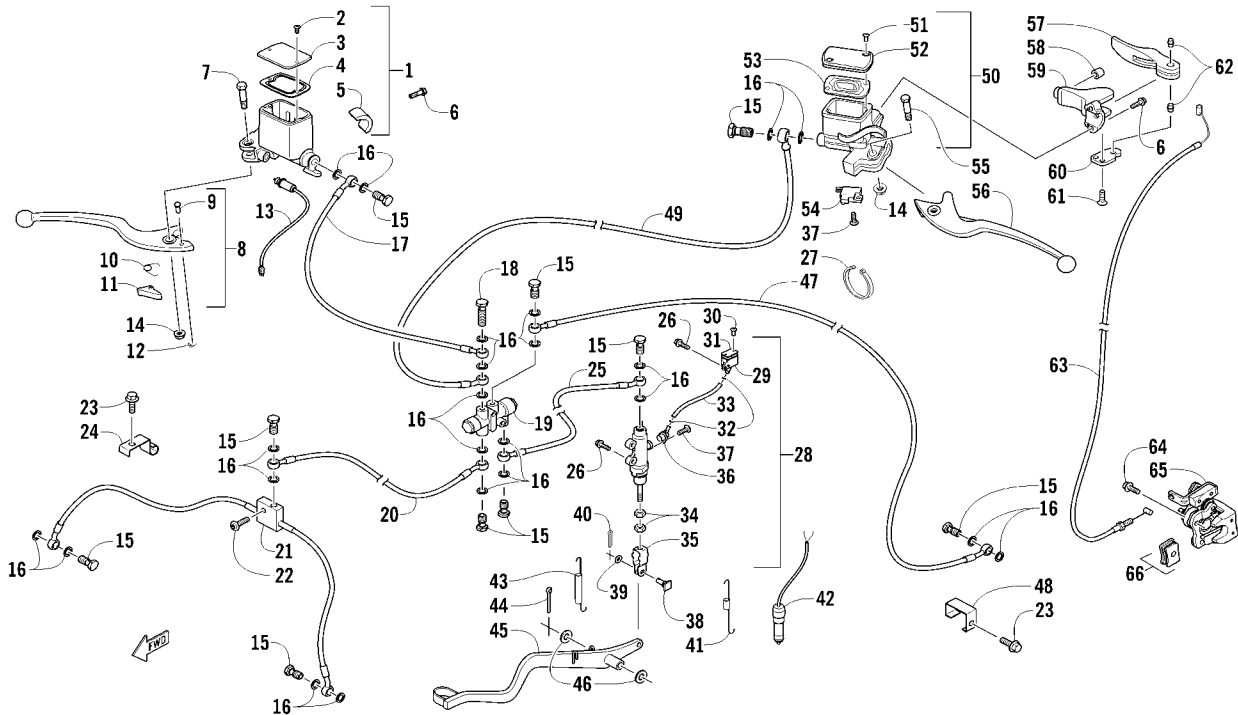
Ref	Part No.	New Qty	Description	Ref	Part No.	New Qty	Description
1	3304-510	1	Chain, Drive	21	3304-301	1	Disc, Brake
2	3304-291	1	Sprocket, Drive	22	3304-343	1	Spacer
3	3304-031	4	Nut	23	3304-342	2	Nut
4	3304-292	1	Flange, Sprocket	24	3305-267	1	Washer, Lock
5	3303-603	2	O-Ring	25	3306-594	1	Caliper Assembly - Rear (inc. 26-39)
6	3304-403	4	Bolt, Carriage	26	3304-318	2	● Cover, Dust
7	3305-639	1	Axle, Rear	27	3303-608	2	● Pin, Lock
8	3304-294	1	Hub, Rear - Assembly (inc. 9-11)	28	3304-325	2	● Pin
9	3304-424	2	● Seal	29	3304-174	2	● Screw, Cap
10	3304-688	2	● Bearing	30	3304-303	2	● Cap, Bleed Valve
11	3305-593	1	● Spacer	31	3304-302	2	● Bleed Valve
12	3304-415	1	Ring, Retaining	32	3304-333	2	● Plug
13	3304-687	2	Screw, Cap	33	3304-696	2	● Spring, Brake Pad
14	3304-518	1	Screw, Cap	34	3304-695	1	● Bracket
15	3305-890	1	Bracket, Caliper (inc. 16)	35	3304-697	2	● Pad, Brake - Set
16	3305-259	1	● O-Ring	36	3305-262	2	● Piston
17	3304-519	1	Ring, Retaining	37	3305-380	4	● Seal, Piston - Inner
18	3304-304	1	Insert	38	3306-585	4	● Seal, Dust - Outer
19	3304-015	5	Bolt, Carriage	39	3304-440	3	● Screw, Cap
20	3304-300	1	Hub, Brake Disc (inc. one No. 5)				



REAR WHEEL ASSEMBLY

0743-958

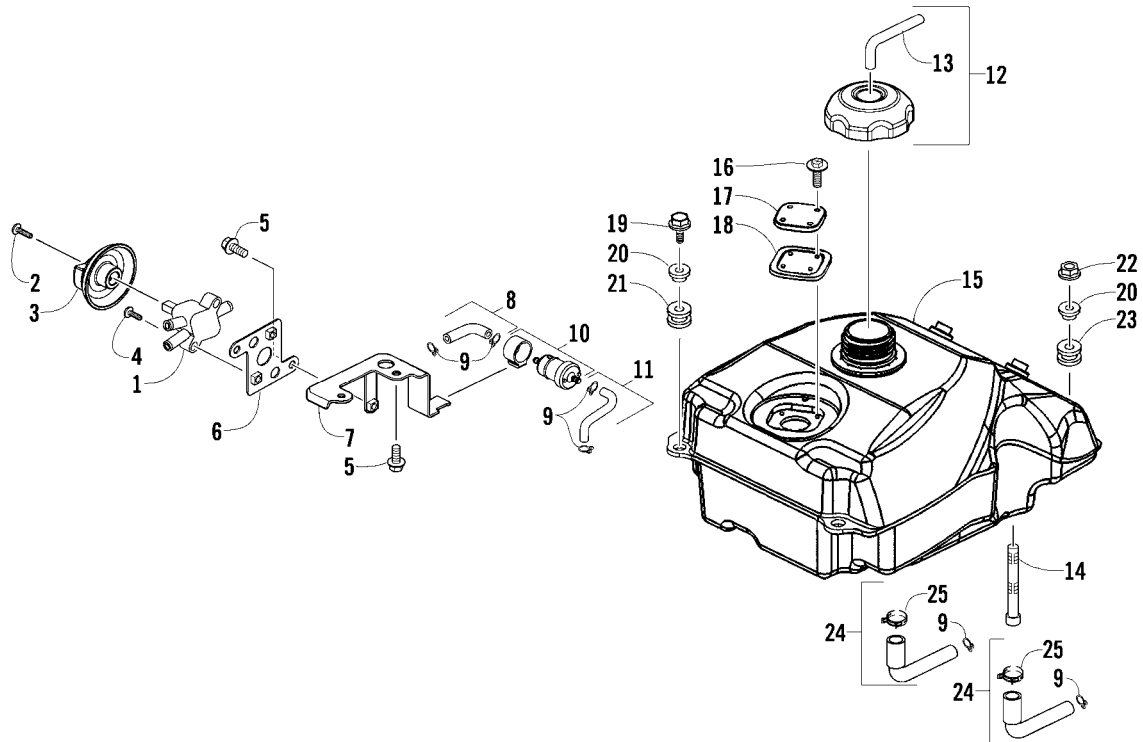
Ref	Part No.	New Qty	Description	Ref	Part No.	New Qty	Description
1	3303-340	2	Pin, Cotter	5	3306-593	2	Tire
2	3304-129	2	Nut, Castle	6	3304-295	2	Wheel - Assembly
3	3305-266	2	Hub, Wheel (inc. 4)	7	3303-887	2	Stem, Valve
4	3304-014	8	● Bolt, Hub	8	3304-028	8	Nut, Lug



HYDRAULIC AND PARKING BRAKE ASSEMBLIES

0746-106

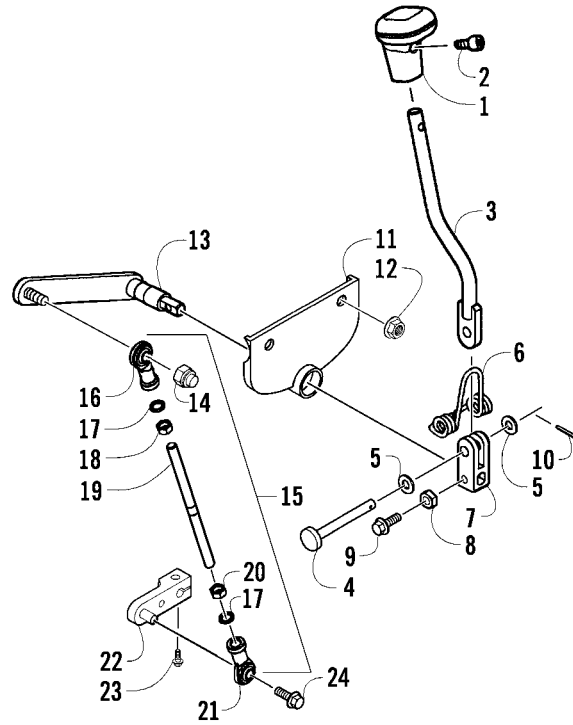
Ref	Part No.	New Qty	Description	Ref	Part No.	New Qty	Description
1	3305-385	1	Brake Assembly - Right (inc. 2-5)	32	3303-895	2	● Clamp, Hose
2	3303-339	2	● Screw, Machine	33	3304-308	1	● Hose, Brake
3	3305-381	1	● Cover, Reservoir	34	3304-128	2	● Nut, Jam
4	3305-407	1	● Diaphragm	35	3303-928	1	● Actuator, Push Rod
5	3305-983	1	● Clamp, Handlebar	36	3304-307	1	● Connector
6	3304-746	4	Screw, Cap	37	3303-321	2	● Screw, Machine
7	3303-254	1	Screw, Shoulder	38	3303-927	1	Pin, Clevis
8	3306-588	1	Lever, Brake - Right - Assembly (inc. 9-11)	39	3304-050	1	Washer
9	3305-384	1	● Pin, Brake Lever	40	3304-141	1	Pin, Cotter
10	3305-383	1	● Spring	41	3303-929	1	Spring, Set
11	3305-382	1	● Lock, Brake Lever	42	3304-685	1	Switch, Brake
12	3304-680	1	Ring, Retaining	43	3303-855	1	Spring, Stop
13	3305-373	1	Switch, Brake	44	3304-143	1	Pin, Cotter
14	3304-654	2	Nut, Lock	45	3304-335	1	Lever, Brake
15	3303-257	10	Bolt, Banjo-Fitting	46	3304-139	2	Washer
16	3303-284	23	Washer, Crush	47	3304-742	1	Hose, Brake - Brake Assist/Rear Caliper
17	3304-741	1	Hose, Brake - Right Brake Assembly/ Brake Assist	48	3303-891	1	Clamp, Brake Hose
18	3304-674	1	Bolt, Banjo-Fitting - Double	49	3304-743	1	Hose, Brake - Brake Assist/Left Brake Assembly
19	3304-792	1	Brake Assist	50	3305-376	1	Brake Assembly - Left (inc. 51-53)
20	3305-379	1	Hose, Brake - Brake Assist/Front Brake Hose	51	3303-318	2	● Screw, Machine
21	3305-636	1	Hose, Brake w/Junction Block	52	3306-622	1	● Cover, Reservoir
22	3304-176	1	Screw, Shoulder	53	3303-925	1	● Diaphragm
23	3304-553	3	Screw, Cap	54	3303-141	1	Switch, Brake
24	3303-919	2	Clamp, Brake Hose	55	3304-017	1	Screw, Shoulder
25	3305-375	1	Hose, Brake - Brake Assist/Rear Brake Assembly	56	3305-388	1	Lever, Brake - Left
26	3304-551	3	Screw, Cap	57	3305-665	1	Lever, Park Brake
27	0123-788	AR	Tie, Cable - 8 in.	58	3305-669	1	Bumper
28	3304-797	1	Brake Assembly - Rear (inc. 29-36 and one No. 37)	59	3305-664	1	Clamp, Handlebar
29	3303-896	1	● Reservoir, Brake (inc. 30-31)	60	3305-667	1	Bracket, Retaining
30	3304-119	2	●● Screw, Machine	61	3305-668	2	Screw, Machine
31	3304-332	1	●● Cover, Reservoir	62	3305-666	2	Pin, Pivot
				63	3305-663	1	Cable, Brake
				64	3305-895	2	Screw, Cap
				65	3306-595	1	Caliper, Brake (inc. 66)
				66	3305-882	1	● Pad, Brake - Set



GAS TANK ASSEMBLY

0743-937

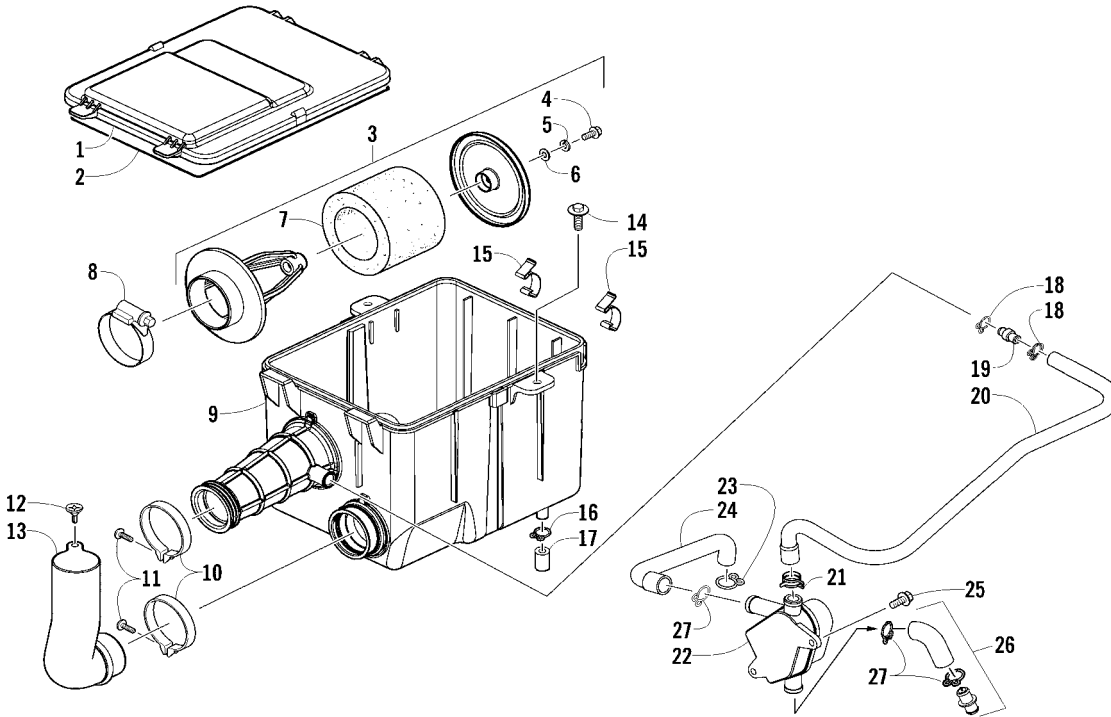
Ref	Part No.	New	Qty	Description	Ref	Part No.	New	Qty	Description
1	3306-884	X	1	Shut-Off, Fuel	14	3303-058	1	1	Strainer, Fuel
2	5507-017		1	Screw, Machine	15	3306-584	1	1	Tank, Gas
3	3303-701		1	Cover, Fuel Shut-Off	16	3305-397	4	4	Screw, Cap
4	3303-316		2	Screw, Machine	17	3305-417	1	1	Cover, Access
5	3304-409		4	Screw, Cap	18	3305-418	1	1	Seal
6	3305-551		1	Bracket, Mounting - Fuel Shut-Off	19	3304-551	2	2	Screw, Cap
7	3305-419		1	Bracket, Support	20	3303-226	4	4	Insert
8	3305-642		1	Hose Assembly (inc. 9)	21	3303-406	2	2	Grommet
9	3303-349		6	● Clamp, Hose	22	3304-654	2	2	Nut, Lock
10	3305-641		1	Filter, Fuel	23	3304-647	2	2	Grommet
11	3305-652		1	Hose Assembly (inc. 9)	24	3305-439	2	2	Hose Assembly (inc. 25 and two No. 9)
12	3305-975		1	Cap, Gas Tank (inc. 13)	25	3303-351	2	2	● Clamp, Hose
13	3304-169		1	● Hose, Vent					



SHIFT LEVER ASSEMBLY

0743-933

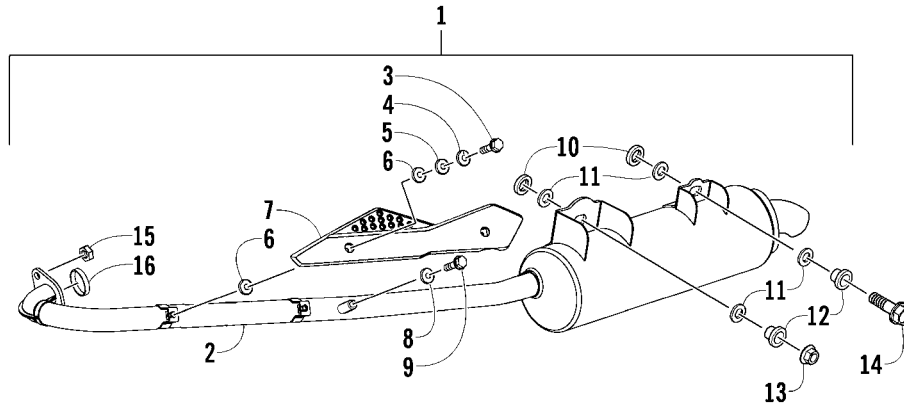
Ref	Part No.	New	Qty	Description	Ref	Part No.	New	Qty	Description
1	3303-823	1	1	Knob, Gear Shift	13	3305-644	1	1	Lever, Gear Shift
2	3304-401	1	1	Screw, Cap	14	3305-792	1	1	Nut, Cap
3	3304-458	1	1	Rod, Gear Shift	15	3305-778	1	1	Tie Rod - Assembly (inc. 16-21)
4	3303-817	1	1	Pin	16	3303-972	1	1	● Ball Joint, Tie Rod - Right
5	3304-135	2	2	Washer	17	3303-607	2	2	● Washer
6	3303-818	1	1	Spring	18	3304-126	1	1	● Nut
7	3303-819	1	1	Bracket	19	3304-273	1	1	● Tie Rod
8	3305-340	1	1	Nut	20	3304-125	1	1	● Nut
9	3304-438	1	1	Screw, Cap	21	3303-970	1	1	● Ball Joint, Tie Rod - Left
10	3304-142	1	1	Pin, Cotter	22	3305-543	1	1	Link, Gear Shift
11	3304-271	1	1	Cover, Gear Shift	23	3304-112	1	1	Screw, Cap
12	3303-332	2	2	Nut, Lock	24	3304-176	1	1	Screw, Cap



AIR INTAKE ASSEMBLY

0745-074

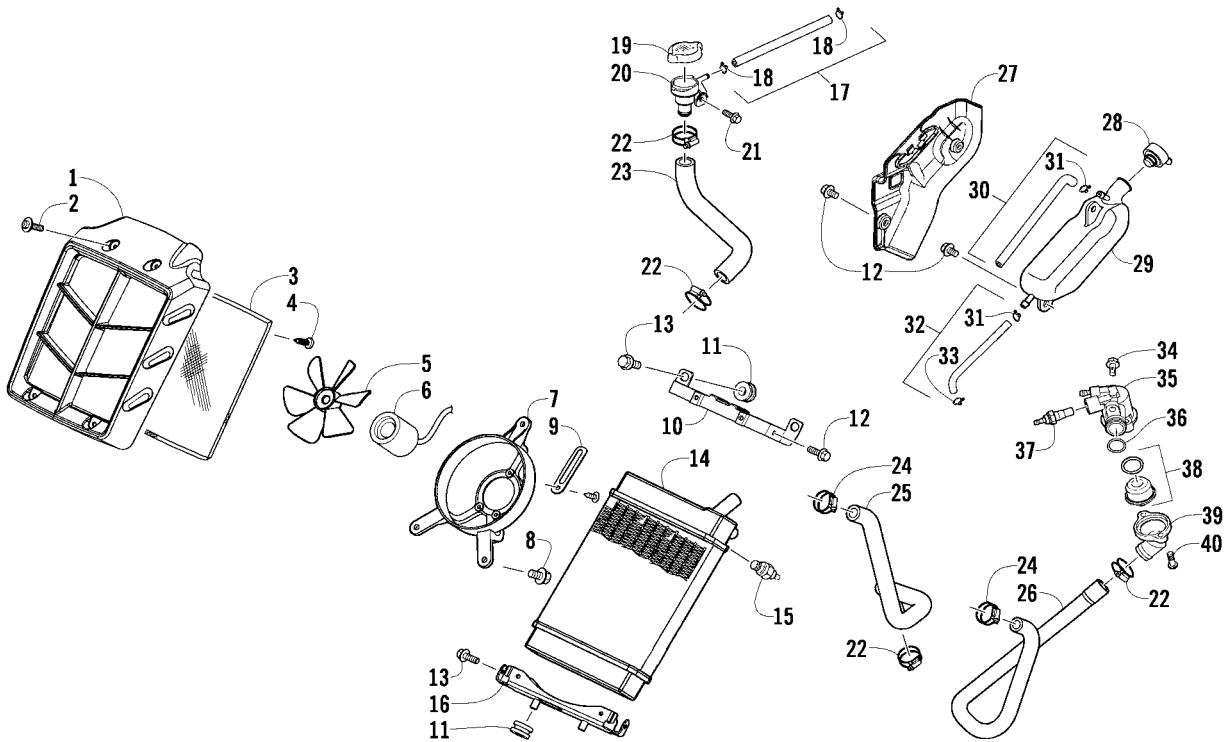
Ref	Part No.	New Qty	Description	Ref	Part No.	New Qty	Description
1	3303-705	1	Cover, Air Silencer	14	3304-652	2	Screw, Cap
2	3303-703	1	Seal	15	3303-708	4	Clip, Spring
3	3303-704	1	Filter, Air - Assembly (inc. 4-7)	16	3303-716	1	Clamp, Hose
4	-	1	● Screw, Cap - Part Number not Available	17	3305-424	1	Hose, Drain
5	-	1	● Washer, Lock - Part Number not Available	18	3304-433	2	Clamp, Hose
6	-	1	● Washer - Part Number not Available	19	3303-711	1	Joint, Blow-By
7	-	1	● Filter, Air - Part Number not Available	20	3303-734	1	Tube B - Oil Catch
8	3304-416	1	Clamp, Hose	21	3304-167	1	Clamp, Hose
9	3305-790	1	Silencer, Air	22	3303-706	1	Catch, Oil
10	3303-709	2	Clamp, Hose (inc. 11)	23	3303-714	2	Clamp, Hose
11	3304-117	2	● Screw, Machine	24	3303-733	1	Tube A - Oil Catch
12	3304-062	1	Screw, Machine	25	3304-553	2	Screw, Cap
13	3303-710	1	Duct	26	3303-735	1	Tube C - Oil Catch (inc. two No. 27)
				27	3303-712	3	● Clamp, Hose



EXHAUST ASSEMBLY

0743-939

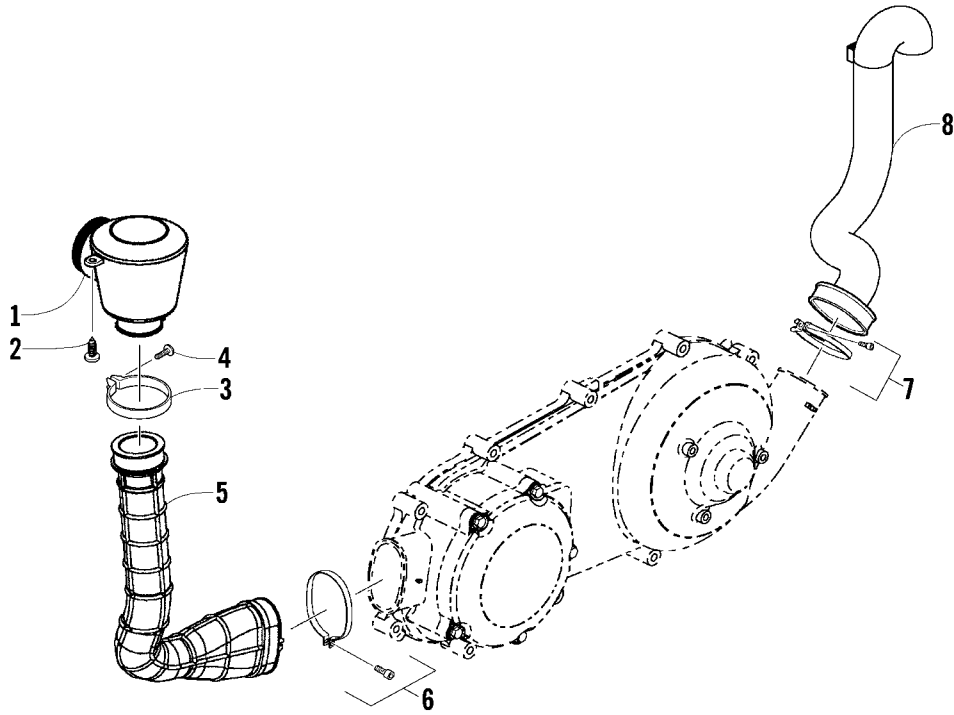
Ref	Part No.	New Qty	Description	Ref	Part No.	New Qty	Description
1	3305-643	1	Pipe, Exhaust - Assembly (inc. 2-12)	9	3305-769	2	● Screw, Cap
2	-	1	● Pipe, Exhaust - Part Number not Available	10	3303-726	2	● Grommet
3	3304-686	2	● Screw, Cap	11	3303-728	4	● Washer, Fiber
4	3304-140	2	● Washer, Lock	12	3303-731	2	● Insert
5	3304-134	2	● Washer	13	3303-332	1	Nut, Lock
6	3303-727	4	● Washer, Fiber	14	3304-175	1	Screw, Cap
7	3304-251	1	● Shield, Exhaust	15	3304-125	2	Nut
8	3305-773	2	● Washer	16	3303-725	1	Gasket, Exhaust



COOLING ASSEMBLY

0743-944

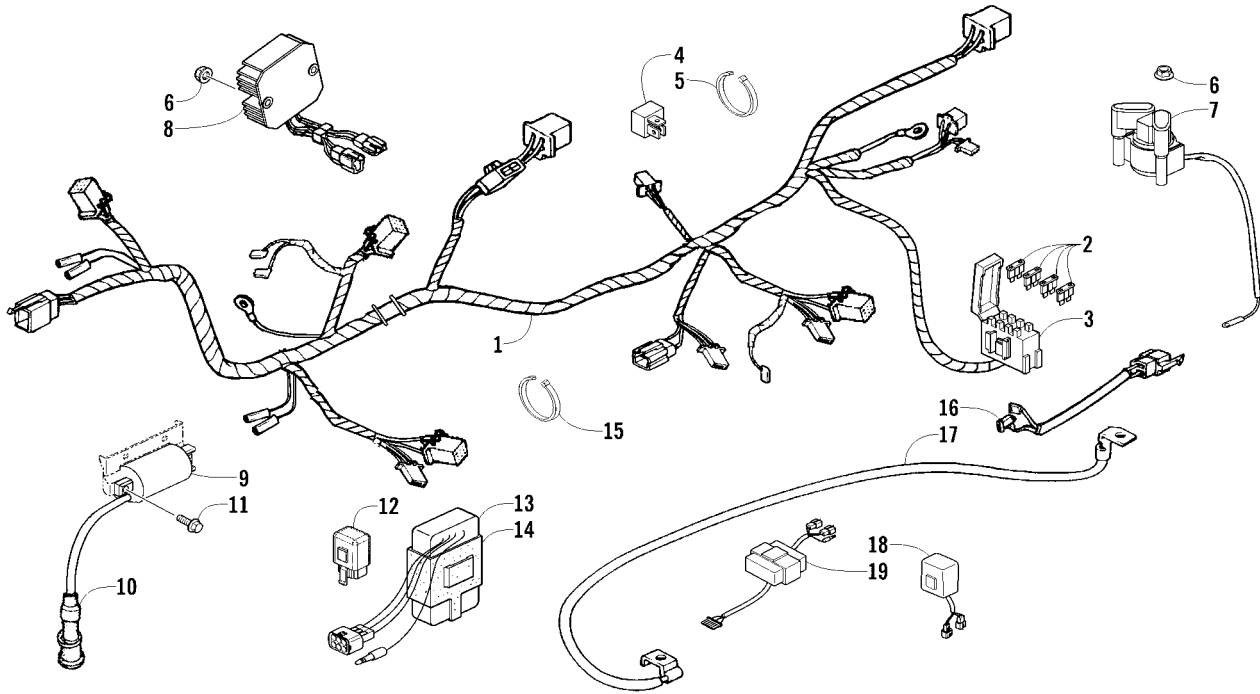
Ref	Part No.	New Qty	Description	Ref	Part No.	New Qty	Description
1	3305-973	1	Fascia, Radiator	22	3304-165	4	Clamp, Hose
2	3303-263	4	Screw, Cap	23	3303-761	1	Hose, Coolant - Filler Neck/Radiator
3	3303-744	1	Screen, Radiator	24	3304-164	2	Clamp, Hose
4	3304-123	6	Screw, Self-Tapping	25	3303-759	1	Hose, Coolant - Radiator/Water Pump
5	3303-741	1	Fan, Cooling	26	3303-760	1	Hose, Cooling - Engine/Radiator
6	3303-742	1	Motor, Fan	27	3305-974	1	Shield, Reservoir Tank
7	3303-739	1	Shroud, Fan	28	3303-749	1	Cap, Reservoir Tank
8	3304-586	3	Screw, Cap	29	3304-692	1	Tank, Reservoir
9	3304-155	1	Clamp, Wire	30	3303-745	1	Hose, Drain (inc. 31)
10	3303-983	1	Bracket, Radiator - Upper	31	3304-163	2	● Clamp, Hose
11	3303-239	4	Grommet	32	3304-255	1	Hose, Reservoir Tank (inc. 33 and one No. 31)
12	3304-587	6	Screw, Cap	33	3303-349	1	● Clamp, Hose
13	3304-116	4	Screw, Cap	34	3303-617	1	Screw, Cap
14	3303-737	1	Radiator Assembly	35	3303-756	1	Housing, Thermostat
15	3303-862	1	Switch, Temperature	36	3304-094	1	O-Ring
16	3303-984	1	Bracket, Radiator - Lower	37	3303-861	1	Unit, Thermostat
17	3304-066	1	Hose, Overflow (inc. 18)	38	3303-755	1	Thermostat
18	3304-161	2	● Clamp, Hose	39	3303-757	1	Cap, Thermostat
19	3303-748	1	Cap, Radiator	40	3304-118	2	Screw, Machine
20	3303-738	1	Neck, Filler				
21	3304-553	1	Screw, Cap				



COOLING DUCT ASSEMBLY

0743-943

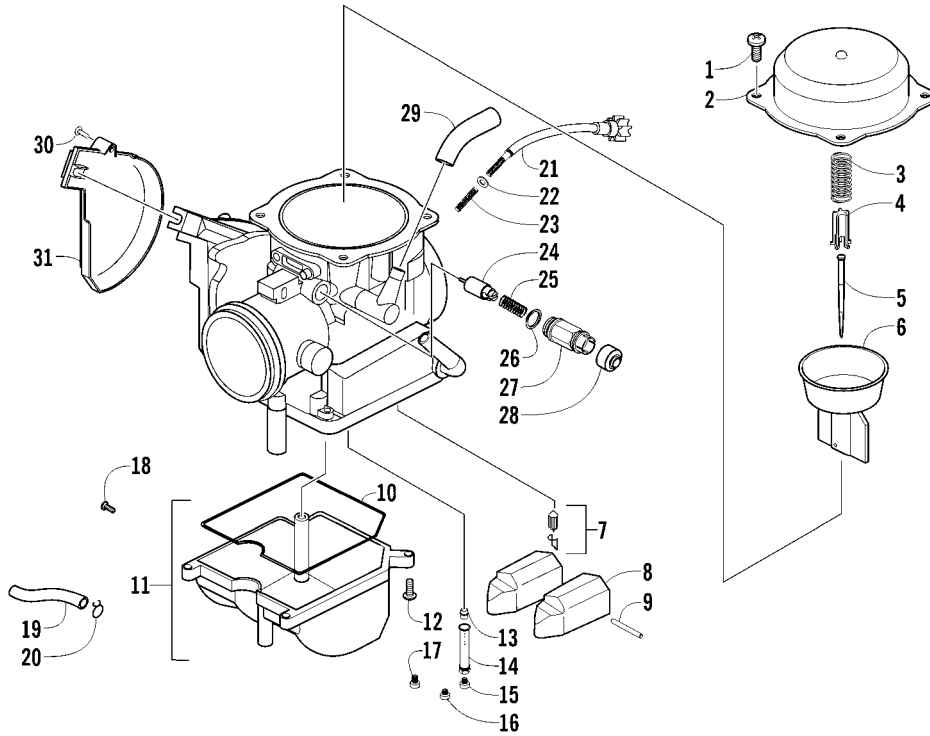
Ref	Part No.	New Qty	Description	Ref	Part No.	New Qty	Description
1	3304-226	1	Duct, Inlet	5	3304-224	1	Duct, Cooling
2	3304-650	2	Screw, Self-Tapping	6	3303-635	1	Clamp w/Screw
3	3304-694	1	Clamp w/Screw (inc. 4)	7	3303-636	1	Clamp w/Screw
4	3304-117	1	● Screw, Machine	8	3304-223	1	Duct, Cooling



ELECTRICAL AND WIRING HARNESS ASSEMBLY

0746-109

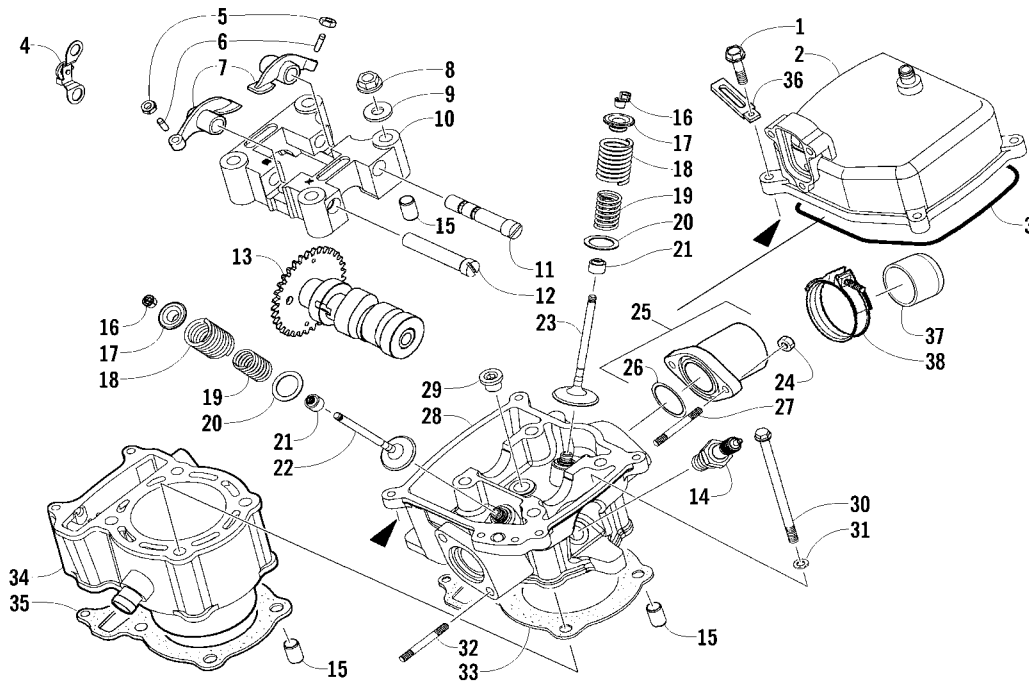
Ref	Part No.	New Qty	Description	Ref	Part No.	New Qty	Description
1	3304-735	1	Harness, Main (inc. 2-4)	10	3305-425	1	● Cap, Noise Suppression
2	3304-210	1	● Fuse - 10 Amp	11	3303-382	2	Screw, Cap
	3304-211	2	● Fuse - 15 Amp	12	3304-783	1	Relay, Start-in-Gear
	3304-212	1	● Fuse - 30 Amp	13	3305-651	1	CDI Unit (inc. 14)
3	3303-866	1	● Box, Fuse	14	3305-780	1	● Cushion, CDI Unit
4	3303-837	1	● Diode, Neutral	15	3303-840	AR	Tie, Cable
5	3303-289	AR	Tie, Cable	16	3303-134	1	Adapter, Harness
6	3304-654	4	Nut, Lock	17	3304-278	1	Cable, Battery
7	3303-857	1	Relay, Starter	18	3304-779	1	Control, Fan Motor
8	3304-681	1	Regulator, Voltage	19	3304-778	1	Control, Hazard
9	3303-830	1	Coil, Ignition (inc. 10)				



CARBURETOR ASSEMBLY

0745-869

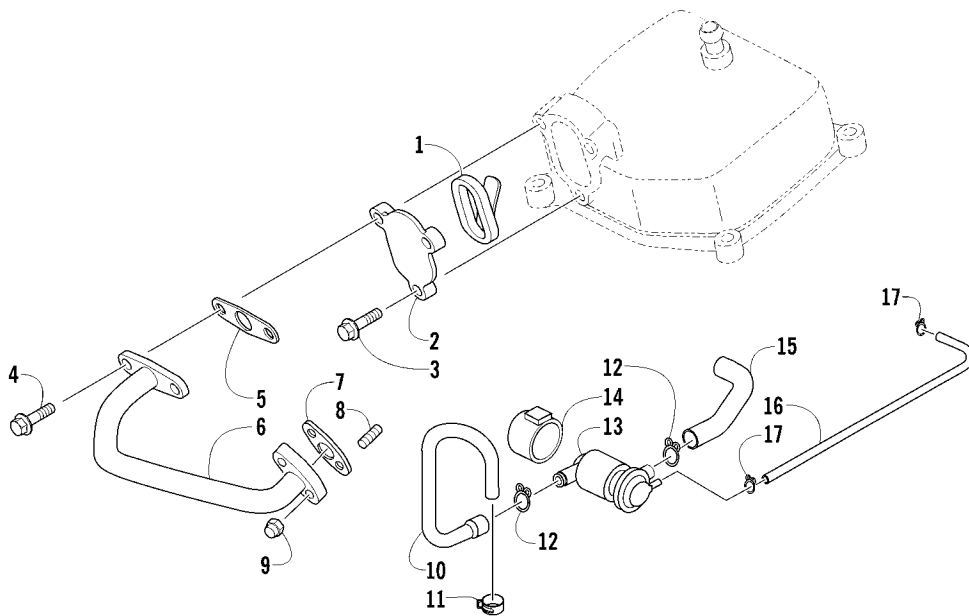
Ref	Part No.	New	Qty	Description	Ref	Part No.	New	Qty	Description
-	3306-245		1	Complete Carburetor Assembly	16	5507-246		1	Jet, Slow
1	5507-002		4	Screw, Machine	17	5507-250		1	Jet, Starter - 60
2	5507-051		1	Cover, Top	18	5507-050		1	Screw, Drain
3	3305-432		1	Spring	19	3305-428		1	Hose, Drain
4	5507-121		1	Seat, Spring	20	5507-161		1	Clamp, Hose
5	3305-540		1	Needle, Jet	21	3305-437		1	Screw, Stop
6	3305-711		1	Piston, Vacuum	22	5507-028		1	Washer
7	5507-038		1	Valve, Float - Set	23	5507-029		1	Spring
8	5507-039		1	Float Set	24	5507-022		1	Valve, Starter
9	3304-451		1	Pin, Float Arm	25	5507-023		1	Spring
10	3305-429		1	O-Ring	26	5507-024		1	O-Ring
11	3306-694		1	Chamber, Float - Assembly	27	5507-025		1	Cap
12	5507-017		4	Screw, Machine	28	5507-026		1	Cap, Sealing
13	5507-245		1	Jet, Needle	29	0410-056		1	Hose, Vent
14	5507-047		1	Holder, Jet Needle	30	5507-037		1	Screw, Machine
15	3305-434		1	Jet, Main - 112	31	3305-441		1	Cover



CYLINDER HEAD AND CAMSHAFT/VALVE ASSEMBLY

0746-110

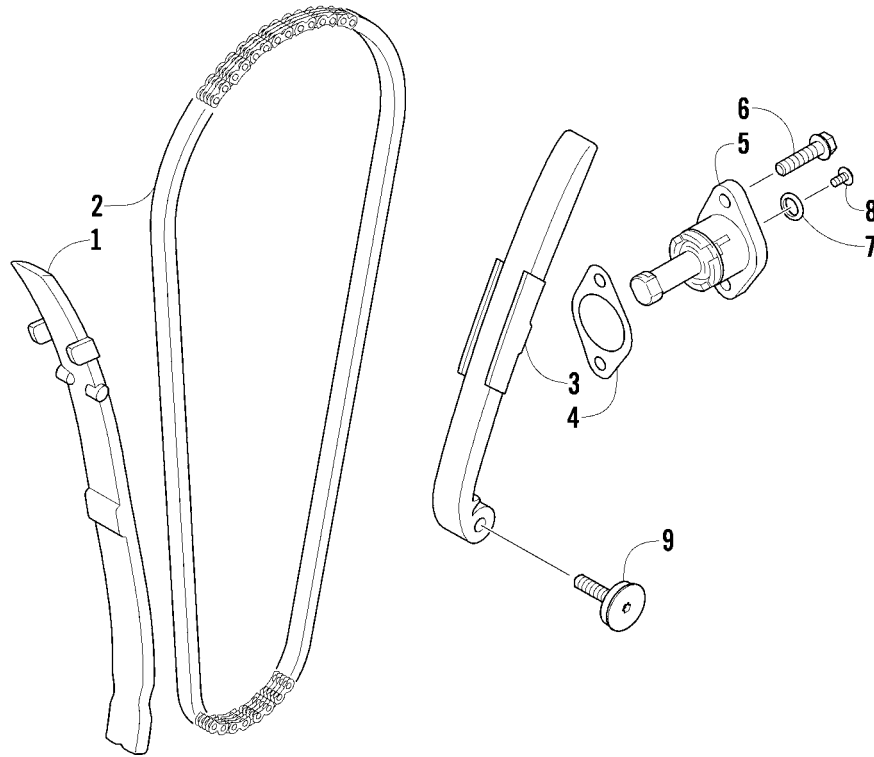
Ref	Part No.	New	Qty	Description	Ref	Part No.	New	Qty	Description
-	3306-596		1	Complete Engine Assembly	20	3303-043		2	Seat, Valve Spring
1	3303-360		4	Screw, Cap	21	3303-657		2	Seal, Valve Stem
2	3305-608		1	Cover, Cylinder Head	22	3305-615		1	Valve, Exhaust
3	3305-609		1	Gasket	23	3305-614		1	Valve, Intake
4	3305-618		1	Plate, Stop	24	3304-124		2	Nut
5	3304-026		2	Nut	25	3305-616		1	Flange, Intake (inc. 26)
6	3304-007		2	Screw, Adjuster	26	3304-620		1	● O-Ring
7	3305-611		2	Arm, Rocker	27	3304-114		2	Bolt, Stud
8	3303-332		4	Nut, Lock	28	3305-617		1	Head, Cylinder (inc. 29)
9	3304-048		4	Washer	29	3303-656		1	● Bolt, Sealing
10	3305-689		1	Retainer, Camshaft	30	3304-918		2	Screw, Cap
11	3303-674		1	Shaft, Rocker Arm - Intake	31	3304-049		2	Washer
12	3305-612		1	Shaft, Rocker Arm - Exhaust	32	3303-249		2	Bolt, Stud
13	3305-613		1	Camshaft	33	3303-659		1	Gasket, Cylinder Head
14	0217-730		1	Spark Plug - DPR7EA-9	34	3305-621		1	Cylinder
15	3303-342		6	Pin, Dowel	35	3305-461		1	Gasket, Cylinder
16	3303-044		4	Valve, Cotter	36	3304-157		1	Clamp, Wire
17	3303-042		2	Retainer, Valve Spring	37	3306-586		1	Insert, Intake Flange
18	3303-682		2	Spring, Valve - Outer	38	3305-410		1	Clamp, Intake Flange
19	3303-683		2	Spring, Valve - Inner					



REED VALVE ASSEMBLY

0746-111

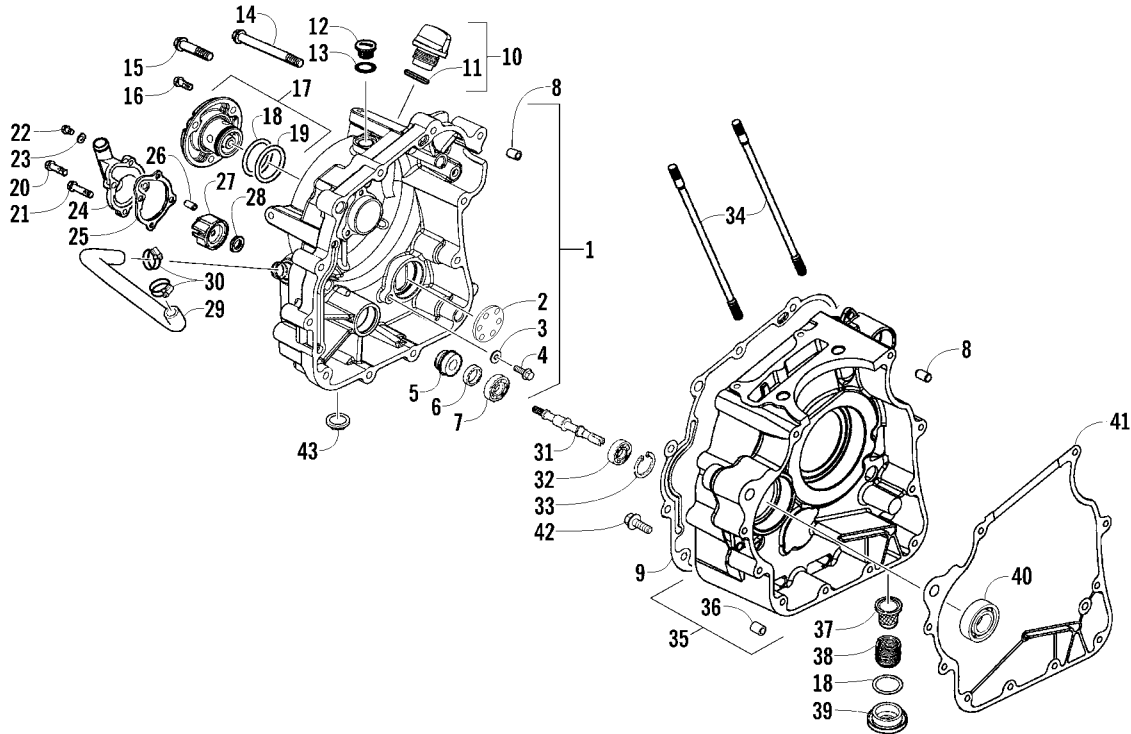
Ref	Part No.	New Qty	Description	Ref	Part No.	New Qty	Description
1	3305-353	1	Valve, Reed	10	3305-404	1	Duct, Air
2	3305-354	1	Cover, Reed Valve	11	3304-167	1	Clamp
3	3305-401	1	Screw, Cap	12	3303-712	2	Clamp
4	3305-402	2	Screw, Cap	13	3304-713	1	Vacuum, Air - Assembly
5	3305-356	1	Gasket	14	3305-355	1	Mount, Air Vacuum
6	3305-610	1	Pipe, Air	15	3304-824	1	Duct, Air
7	3303-732	1	Gasket	16	3305-405	1	Hose Assembly
8	3304-114	2	Bolt, Stud	17	3304-161	2	Clamp, Hose
9	3304-030	2	Nut, Cap				



CAM CHAIN ASSEMBLY

0743-947

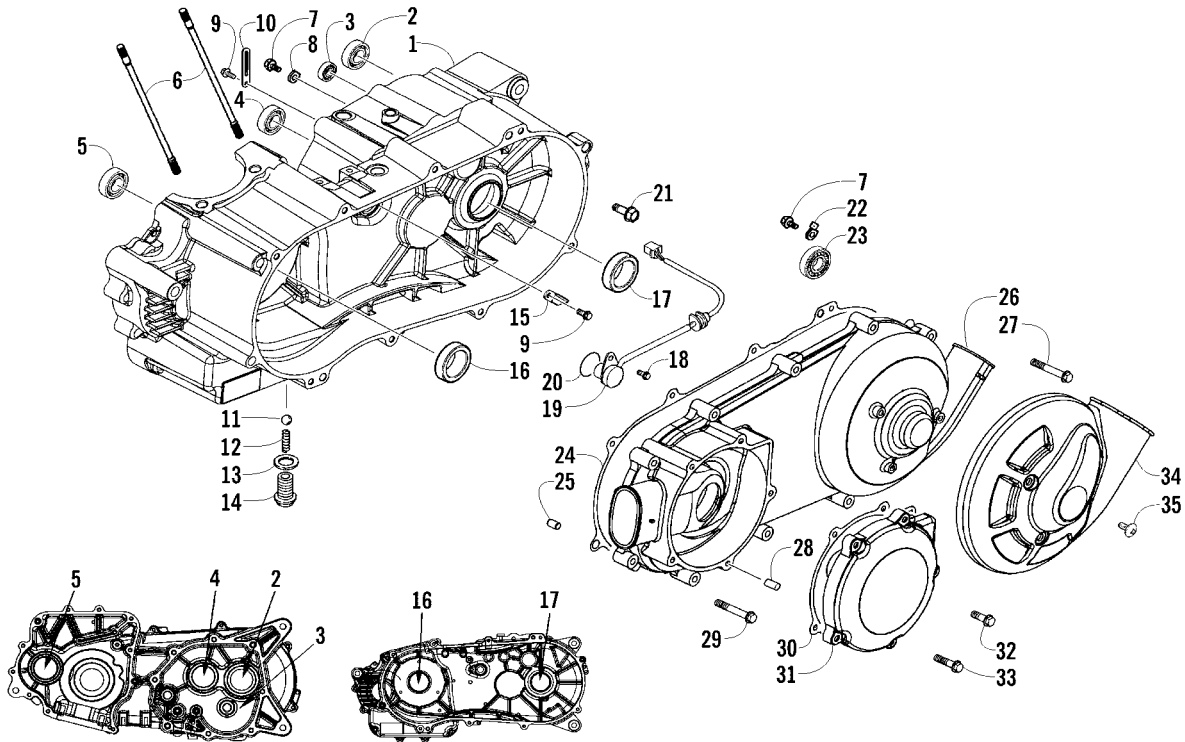
Ref	Part No.	New Qty	Description	Ref	Part No.	New Qty	Description
1	3305-692	1	Guide, Chain	6	3304-002	2	Screw, Cap
2	3305-620	1	Chain, Cam	7	3304-100	1	O-Ring
3	3305-622	1	Tensioner, Chain	8	3304-006	1	Screw, Adjuster
4	3303-035	1	Gasket	9	3303-678	1	Pivot, Tensioner
5	3303-677	1	Tensioner Assembly				



RIGHT CRANKCASE AND COVER ASSEMBLY

0745-836

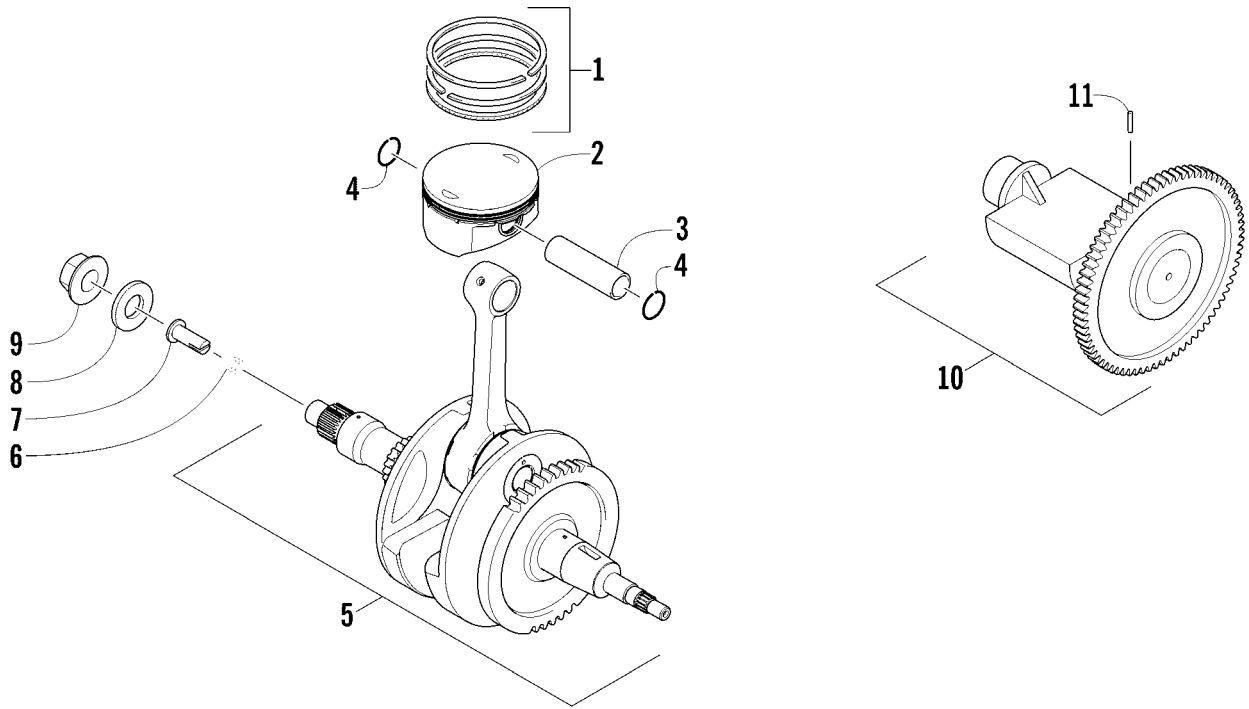
Ref	Part No.	New Qty	Description	Ref	Part No.	New Qty	Description
1	3305-626	1	Cover, Crankcase (inc. 2-7)	23	3304-049	1	Washer
2	3303-696	1	● Plate, Sight Gauge	24	3303-752	1	Cover, Water Pump
3	-	1	● Washer - Part Number not Available	25	3303-753	1	Gasket, Water Pump
4	3304-005	1	● Screw, Cap	26	3303-341	2	Pin, Dowel
5	3303-751	1	● Seal, Mechanical	27	3303-750	1	Impeller, Water Pump
6	3304-078	1	● Seal, Oil	28	3304-038	1	Washer
7	3304-068	1	● Bearing	29	3303-758	1	Hose, Coolant - Water Pump/Cylinder
8	3303-342	4	Pin, Dowel	30	3304-165	2	Clamp, Hose
9	3303-641	1	Gasket	31	3303-754	1	Shaft, Water Pump
10	3303-695	1	Gauge, Oil Level (inc. 11)	32	3304-193	1	Bearing
11	3304-102	1	● O-Ring	33	3304-148	1	Ring, Retaining
12	3304-012	1	Plug, Inspection	34	3304-008	2	Bolt, Stud
13	3304-099	1	O-Ring	35	3305-605	1	Crankcase - Right (inc. 36)
14	3304-192	8	Screw, Cap	36	3304-065	1	● Plug
15	3303-387	4	Screw, Cap	37	3303-691	1	Screen
16	3303-382	3	Screw, Cap	38	3303-692	1	Spring
17	3304-013	1	Cap, Crankcase Cover (inc. 18-19)	39	3303-021	1	Cap, Oil
18	3304-096	2	● O-Ring	40	3304-195	1	Bearing
19	3304-098	1	● O-Ring	41	3303-628	1	Gasket, Crankcase
20	3303-619	2	Screw, Cap	42	3304-191	4	Screw, Cap
21	3303-385	2	Screw, Cap	43	3304-052	1	Plug, Drain
22	3304-186	1	Screw, Cap				



LEFT CRANKCASE AND COVER ASSEMBLY

0745-840

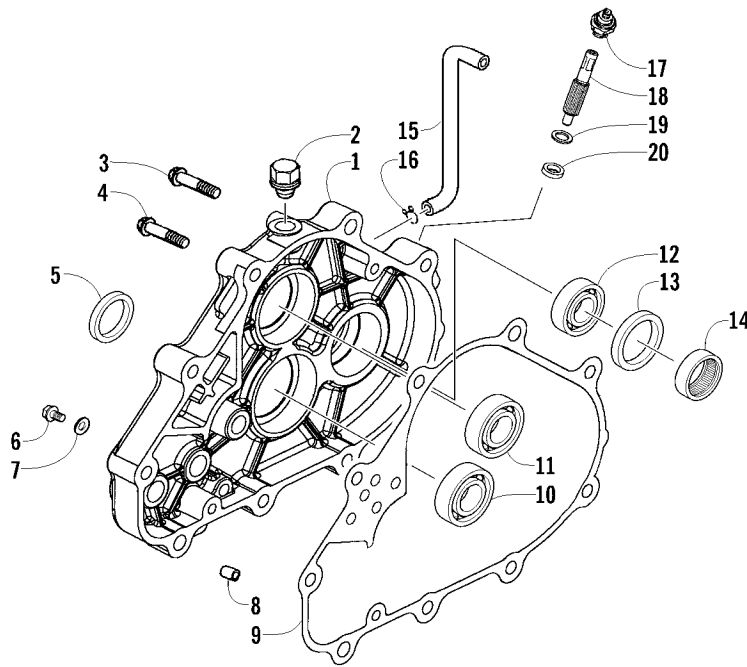
Ref	Part No.	New Qty	Description	Ref	Part No.	New Qty	Description
1	3304-221	1	Crankcase	19	3304-698	1	Switch, Gear Position (inc. 20)
2	3304-067	1	Bearing	20	3305-776	1	● O-Ring
3	3304-074	1	Bearing	21	3303-365	1	Screw, Cap
4	3304-699	1	Bearing	22	3304-040	1	Retainer, Bearing
5	3304-195	1	Bearing	23	3304-073	1	Bearing
6	3305-606	2	Bolt, Stud	24	3303-642	1	Gasket, Cover
7	3304-005	3	Screw, Cap	25	3303-342	2	Pin, Dowel
8	3304-039	2	Retainer, Bearing	26	3303-632	1	Cover, Crankcase
9	3303-381	3	Screw, Cap	27	3304-003	8	Screw, Cap
10	3304-158	1	Clamp, Wire	28	3303-341	2	Pin, Dowel
11	3304-205	1	Ball, Stopper	29	3304-004	2	Screw, Cap
12	3304-063	1	Spring	30	3304-101	1	Gasket, Cover
13	3304-021	1	Washer	31	3304-225	1	Cover
14	3304-109	1	Plug	32	3303-384	3	Screw, Cap
15	3303-843	2	Retainer, Wire	33	3305-945	2	Screw, Cap
16	3304-079	1	Seal, Oil	34	3304-222	1	Cover, Protective
17	3304-091	1	Seal, Oil	35	3304-407	3	Screw, Machine
18	3304-187	1	Screw, Cap				



PISTON AND CRANKSHAFT ASSEMBLY

0745-838

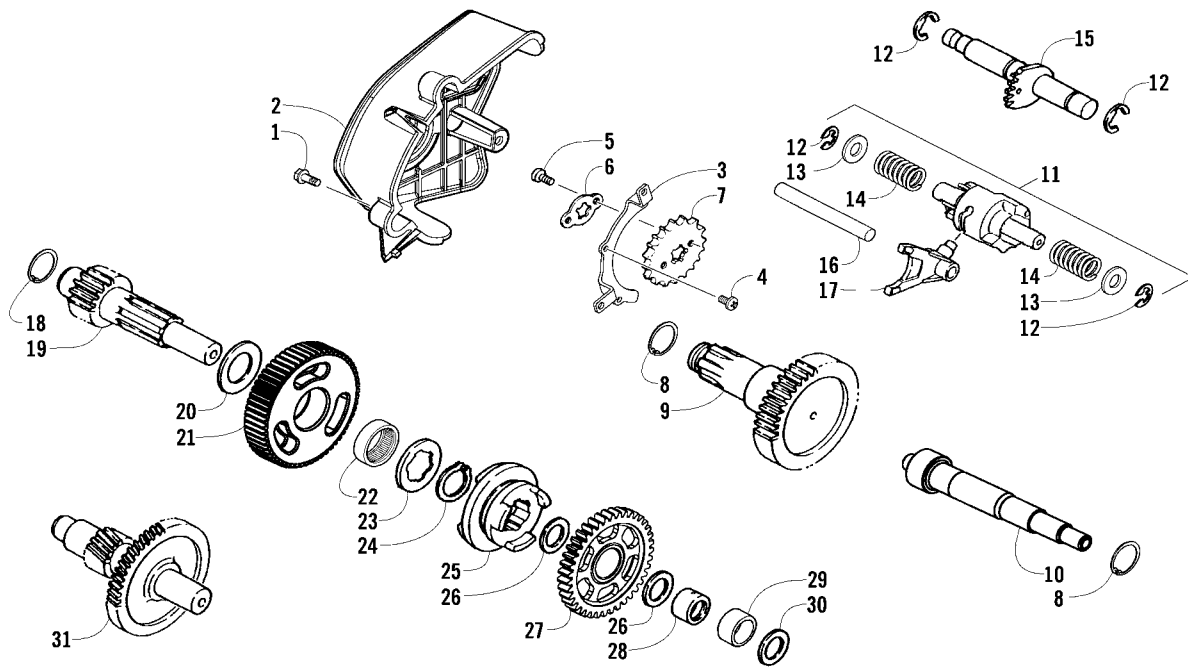
Ref	Part No.	New Qty	Description	Ref	Part No.	New Qty	Description
1	3303-664	1	Ring Set, Piston	7	3303-693	1	Oil Through
2	3305-625	1	Piston	8	3304-036	1	Washer, Thrust
3	3305-623	1	Pin, Piston	9	3304-024	1	Nut
4	3304-159	2	Circlip	10	3305-624	1	Balancer, Crankshaft (inc. 11)
5	3305-619	1	Crankshaft Assembly	11	3304-439	1	● Pin, Alignment
6	3303-694	1	Spring				



TRANSMISSION CASE ASSEMBLY

0746-112

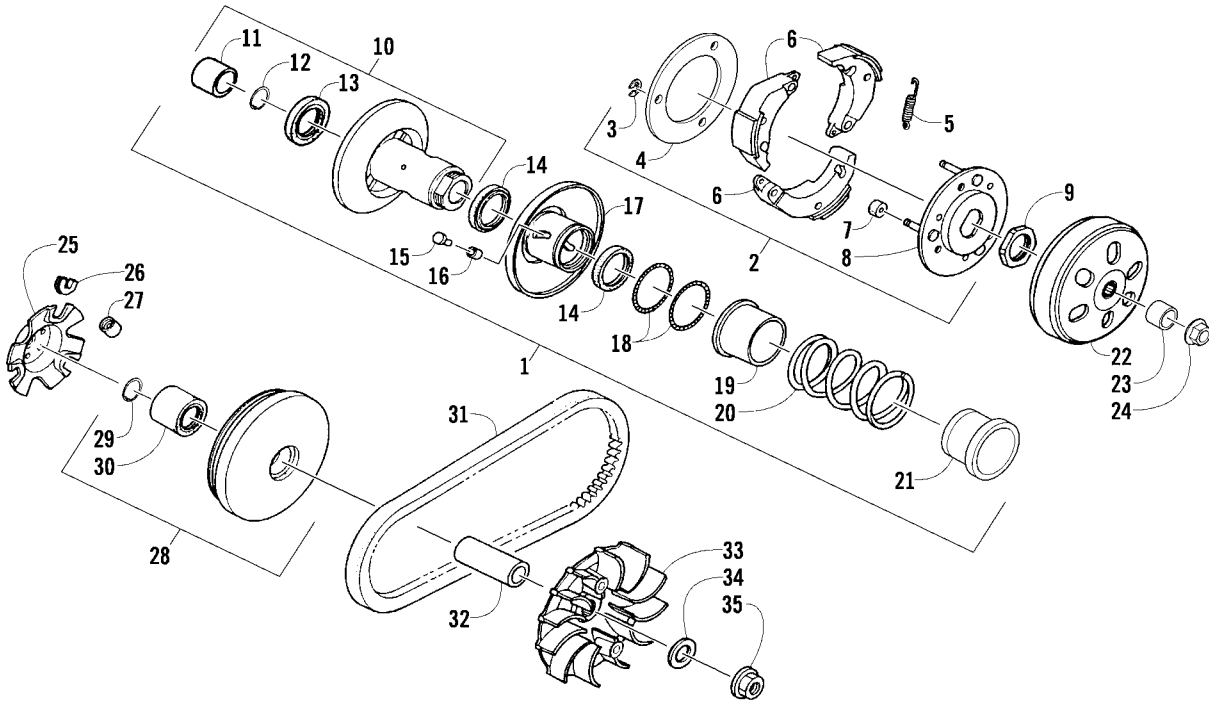
Ref	Part No.	New	Qty	Description	Ref	Part No.	New	Qty	Description
1	3304-706	1	1	Case, Transmission	11	3304-198	1	1	Bearing
2	3304-052	1	1	Plug, Fill	12	3304-195	1	1	Bearing
3	3303-615	2	2	Screw, Cap	13	3304-425	1	1	Seal
4	3304-572	7	7	Screw, Cap	14	3304-422	1	1	Bearing
5	3304-081	1	1	Seal	15	3303-630	1	1	Hose, Breather (inc. 16)
6	3303-365	1	1	Screw, Cap	16	3304-433	1	1	● Clamp, Hose
7	3303-591	1	1	Washer	17	3304-108	1	1	Adapter, Speedometer Cable
8	3303-342	2	2	Pin, Dowel	18	3304-703	1	1	Gear, Speedometer Drive
9	3304-258	1	1	Gasket	19	3304-047	1	1	Washer, Thrust
10	3304-699	1	1	Bearing	20	3304-077	1	1	Seal



TRANSMISSION ASSEMBLY

0743-955

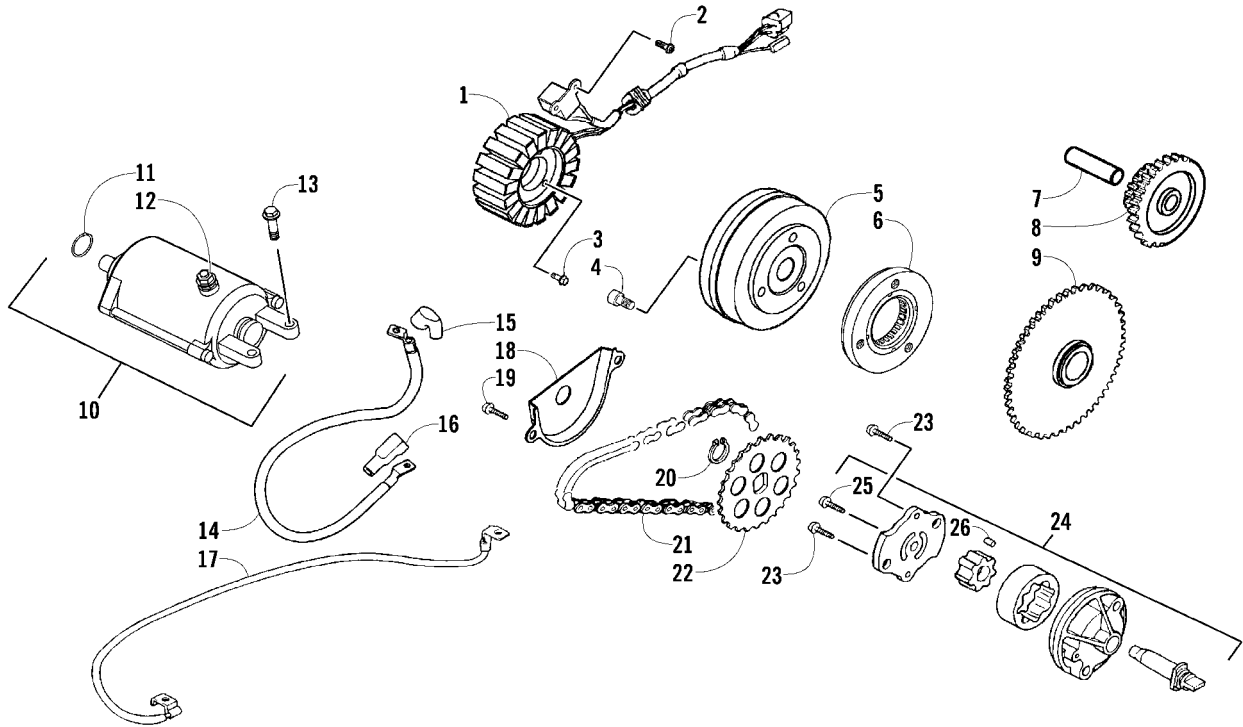
Ref	Part No.	New Qty	Description	Ref	Part No.	New Qty	Description
1	3303-383	3	Screw, Cap	16	3304-513	1	Shaft, Shift Fork
2	3304-715	1	Cover, Chain	17	3305-693	1	Fork, Shift
3	3304-515	1	Guide, Chain	18	3304-514	1	Ring, Retaining
4	3304-650	2	Screw, Self-Tapping	19	3304-691	1	Shaft, Main
5	3303-307	2	Screw, Cap	20	3304-044	1	Washer, Thrust
6	3304-266	1	Plate, Retaining	21	3304-263	1	Gear, Reverse
7	3304-265	1	Sprocket, Drive	22	3304-423	1	Bearing
8	3304-147	2	Ring, Retaining	23	3304-045	1	Washer, Splined
9	3304-262	1	Shaft, Output	24	3304-056	1	Ring, Retaining
10	3305-695	1	Shaft, Driven	25	3304-264	1	Gear Select, Sliding
11	3304-268	1	Drum, Gear Shift - Assembly (inc. two No. 12 and 13-14)	26	3304-413	2	Washer, Thrust
12	3304-153	4	● E-Ring	27	3305-694	1	Gear, Forward
13	3304-412	2	● Washer, Thrust	28	3304-509	1	Bushing
14	3304-700	2	● Spring	29	3304-508	1	Spacer
15	3304-269	1	Shaft, Gear Shift	30	3304-042	1	Washer, Thrust
				31	3304-261	1	Shaft, Counterbalance



CLUTCH ASSEMBLY

0743-946

Ref	Part No.	New Qty	Description	Ref	Part No.	New Qty	Description
1	3303-781	1	Pulley, Driven - Assembly (inc. 2-21)	18	3304-107	2	● O-Ring
2	3303-775	1	● Clutch, Centrifugal - Assembly (inc. 3-8)	19	3303-789	1	● Sleeve, Spring
3	3304-054	3	●● Ring, Retaining	20	3303-788	1	● Spring
4	3306-188	1	●● Plate, Clutch	21	3303-790	1	● Sleeve, Spring
5	3303-778	3	●● Spring	22	3303-767	1	Clutch, Outer
6	3303-779	3	●● Weight, Clutch	23	3303-638	1	Sleeve
7	3303-780	3	●● Roller	24	3304-023	1	Nut
8	3303-776	1	●● Plate, Clutch	25	3303-773	1	Plate, Ramp
9	3304-025	1	● Nut	26	3303-774	3	Slide
10	3303-783	1	● Face, Driven - Fixed (inc. 11-13)	27	3303-772	6	Roller
11	3304-072	1	●● Bearing	28	3303-770	1	Face, Drive - Movable (inc. 29-30)
12	3304-149	1	●● Ring, Retaining	29	3304-160	1	● Ring, Retaining
13	3304-070	1	●● Bearing	30	3303-771	1	● Sleeve
14	3304-082	2	● Seal	31	3303-782	1	Belt, Drive
15	3303-786	4	● Pin, Guide	32	3303-769	1	Sleeve
16	3303-787	4	● Guide, Roller	33	3303-768	1	Face, Drive - Fixed
17	3303-785	1	● Face, Driven - Movable	34	3304-414	1	Washer
				35	3304-024	1	Nut



STARTER MOTOR, MAGNETO, AND OIL PUMP ASSEMBLY

0743-956

Ref	Part No.	New Qty	Description	Ref	Part No.	New Qty	Description
1	3305-627	1	Stator	14	3305-630	1	Cable, Battery/Starter (inc. 15-16)
2	3304-118	2	Screw, Machine	15	3305-251	1	● Boot, Terminal
3	3304-111	3	Screw, Cap	16	3305-252	1	● Boot, Terminal
4	3304-208	3	Screw, Cap	17	3304-279	1	Cable, Battery/Ground
5	3305-628	1	Rotor/Flywheel	18	3303-697	1	Separator, Oil
6	3305-412	1	Clutch, One-Way	19	3303-381	2	Screw, Cap
7	3305-629	1	Shaft, Starter Reduction	20	3304-146	1	Ring, Retaining
8	3303-824	1	Gear, Starter Reduction	21	3305-631	1	Chain, Oil Pump
9	3305-411	1	Gear, Starter	22	3303-688	1	Sprocket, Oil Pump
10	3304-274	1	Motor, Starter (inc. 11-12)	23	3303-385	2	Screw, Cap
11	3304-104	1	● O-Ring	24	3303-687	1	Pump, Oil (inc. 25-26)
12	3304-011	2	● Nut w/Washer	25	3304-426	1	● Screw, Machine
13	3304-002	2	Screw, Cap	26	3304-144	1	● Pin, Dowel

