

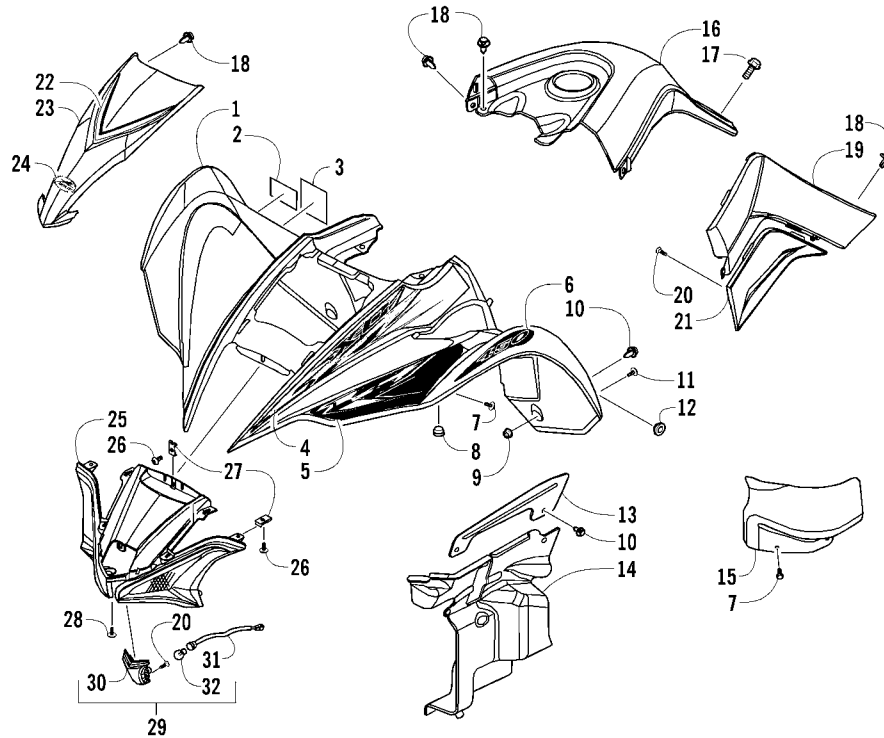
TABLE OF CONTENTS

2014 XC 450 EFT

(Model No. A2014KCK4CETE)

FRONT BODY ASSEMBLY	1
REAR BODY AND TAILLIGHT ASSEMBLY	2
BUMPER, FRAME, AND HEADLIGHT ASSEMBLIES	3
SEAT ASSEMBLY	4
STEERING ASSEMBLY	5
HANDLEBAR ASSEMBLY	6
INSTRUMENT POD ASSEMBLY	7
FRONT SUSPENSION ASSEMBLY	8
REAR SUSPENSION ASSEMBLY	9
SWAYBAR ASSEMBLY	10
WHEEL AND TIRE ASSEMBLY	11
HYDRAULIC AND PARKING BRAKE ASSEMBLIES	12
GAS TANK ASSEMBLY	13
SHIFT LEVER ASSEMBLY	14
AIR INTAKE ASSEMBLY	15
ENGINE AND EXHAUST	16
COOLING ASSEMBLY	17
CASE/BELT COOLING ASSEMBLY	18
DRIVE TRAIN ASSEMBLY	19
FRONT DRIVE GEARCASE ASSEMBLY	20
REAR DRIVE GEARCASE ASSEMBLY	21
WIRING HARNESS ASSEMBLY	22
BATTERY AND STARTER ASSEMBLY	23
THROTTLE BODY ASSEMBLY	24
CYLINDER ASSEMBLY	25
CYLINDER HEAD AND CAMSHAFT/VALVE ASSEMBLY	26
CAM CHAIN ASSEMBLY	27
CRANKCASE ASSEMBLY	28
CRANKSHAFT, BALANCER, STARTER GEAR, AND PISTON ASSEMBLIES	29
CLUTCH/DRIVE BELT/MAGNETO COVER ASSEMBLY	30
OIL PUMP AND STRAINER ASSEMBLY	31
WATER PUMP ASSEMBLY	32
CLUTCH AND DRIVE BELT ASSEMBLY	33
SECONDARY TRANSMISSION ASSEMBLY	34
GEAR SHIFTING ASSEMBLY	35
SECONDARY DRIVE ASSEMBLY	36
MAGNETO ASSEMBLY	37

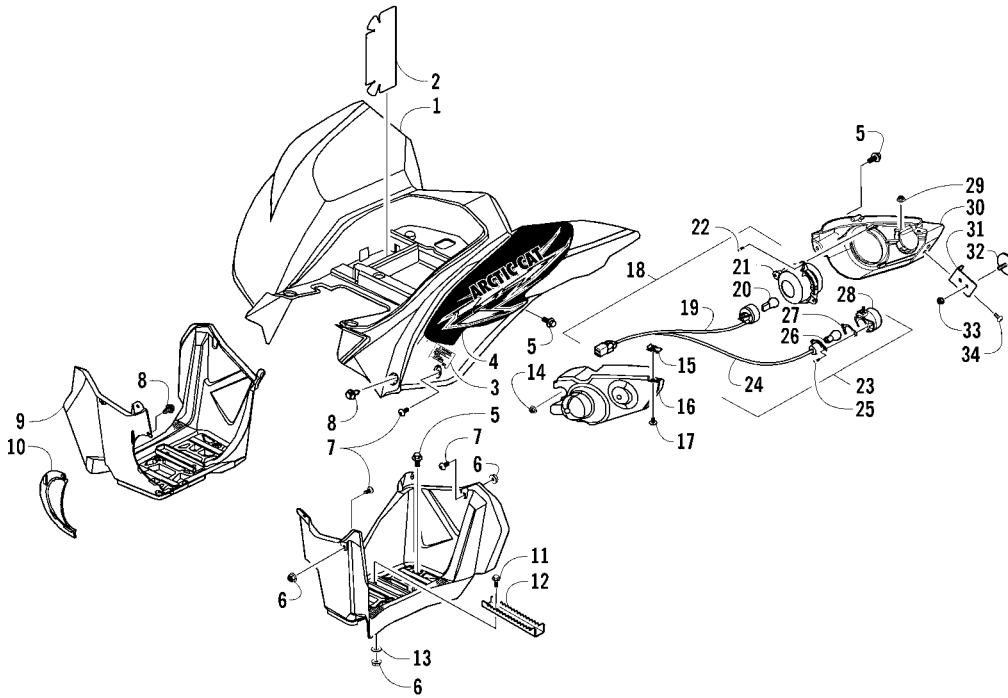
■ **NOTE:** The illustrations used in this Parts Manual are for reference to replacement part numbers only and are not to be used for assembly. For assembly procedures, use an Arctic Cat Service Manual. For a complete list of related items, refer to the current accessory catalog.



FRONT BODY ASSEMBLY

0748-266

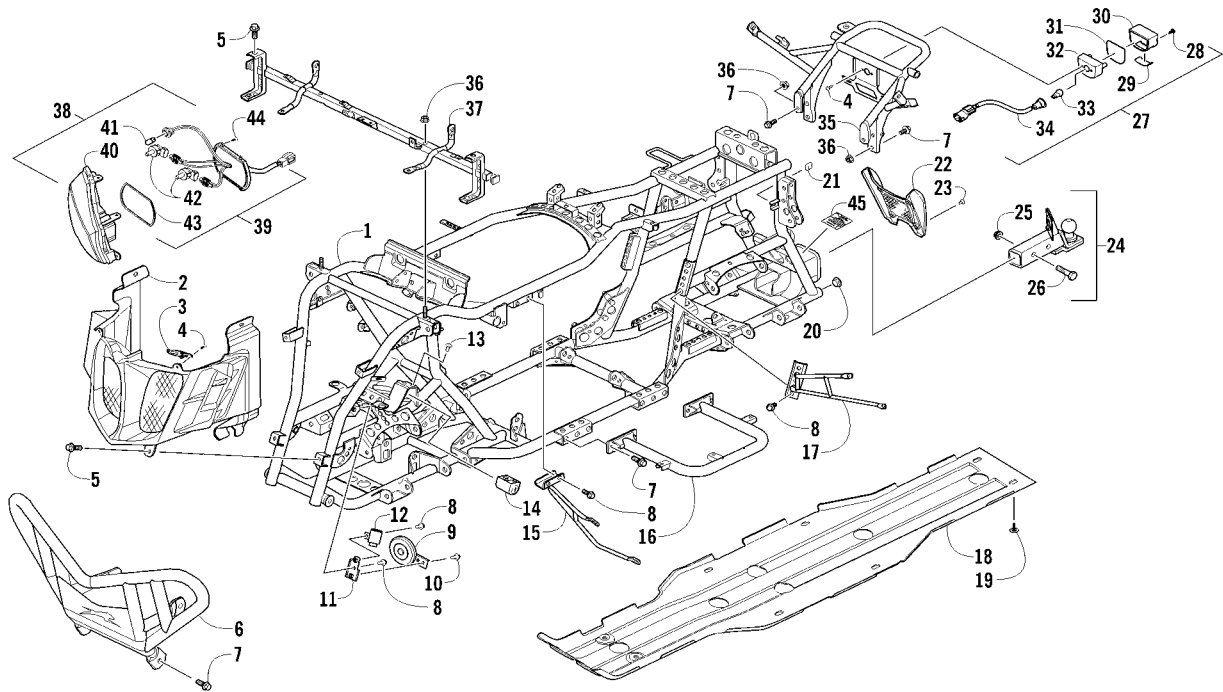
Ref	Part No.	New	Qty	Description	Ref	Part No.	New	Qty	Description
1	3306-871	X	1	Panel, Body - Red	16	3306-709		1	Cover, Gas Tank - Black
2	1411-804		1	Decal, Warning - Age	17	3304-652		2	Screw, Cap
3	3304-806		1	Decal, Warning - General	18	3303-592		10	Clip, Retaining
4	3411-602	X	1	Decal, Fender - "XC" - Right	19	3306-546		1	Panel, Fender - Upper Right
	3411-603	X	1	Decal, Fender - "XC" - Left		3306-547		1	Panel, Fender - Upper Left
5	3411-604	X	1	Decal, Fender - Forward Right	20	3304-651		6	Screw, Self-Tapping
	3411-605	X	1	Decal, Fender - Forward Left	21	3306-744		1	Panel, Fender - Lower Right
6	3411-606	X	1	Decal, "450" - Right		3306-745		1	Panel, Fender - Lower Left
	3411-607	X	1	Decal, "450" - Left	22	3411-489	X	1	Decal, Crest
7	3304-587		4	Screw, Cap	23	3306-715		1	Panel, Access - Black
8	3306-458		2	Bumper	24	9611-751		1	Decal, "Arctic Cat"
9	3304-431		2	Nut, Lock	25	3306-539		1	Fascia, Upper
10	3305-448		4	Clip, Retaining	26	3304-029		7	Screw, Cap
11	3304-404		2	Screw, Machine	27	3304-061		7	Clip, U-Nut
12	0423-678		2	Grommet	28	3303-313		2	Screw, Cap
13	3306-542		2	Panel, Splash - Upper	29	3306-507		1	Running Light - Assembly (inc. 30-32)
14	3306-284		1	Panel, Splash - Lower Right	30	3306-508		1	● Lens
	3306-285		1	Panel, Splash - Lower Left	31	3306-509		1	● Harness
15	3313-844		1	Protector, Hose	32	3303-847		1	● Bulb



REAR BODY AND TAILLIGHT ASSEMBLY

0748-267

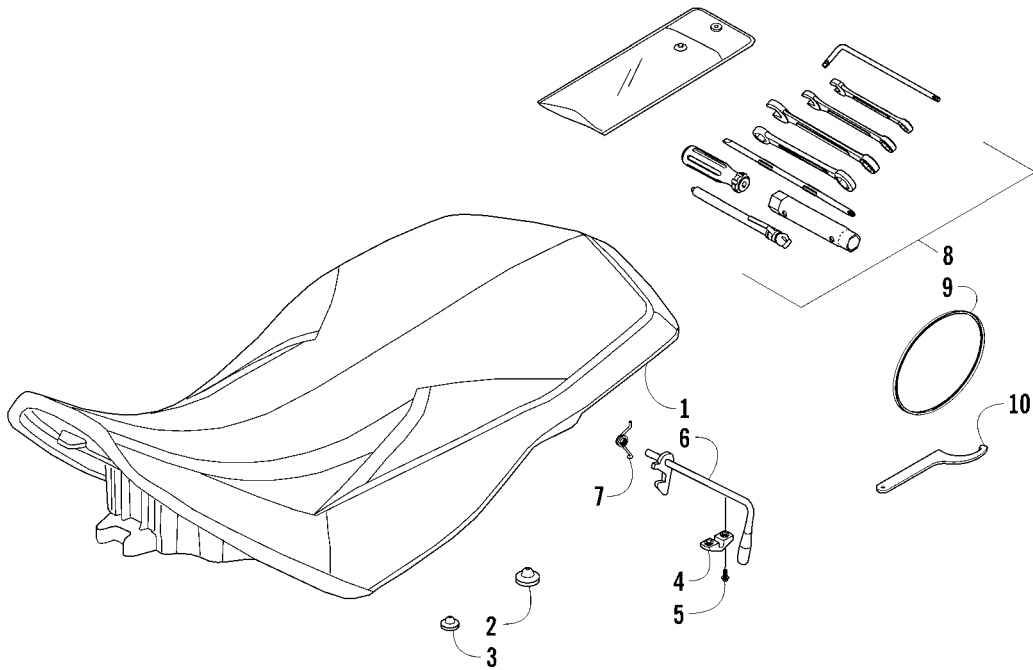
Ref	Part No.	New	Qty	Description	Ref	Part No.	New	Qty	Description
1	3306-718	X	1	Panel, Fender - Rear - Black	20	3303-849		2	● Bulb, Taillight
2	3306-543		1	Foil, Protective	21	3306-512		1	● Lens Assembly - Right
3	1411-893		1	Decal, Warning - Tire Pressure		3306-513		1	● Lens Assembly - Left
4	3411-608	X	1	Decal, Fender - "XC" - Right	22	3304-650		6	Screw, Self-Tapping
	3411-609	X	1	Decal, Fender - "XC" - Left	23	3306-604		1	Turn Signal - Right Assembly (inc. 24-28)
5	3304-587		12	Screw, Cap		3306-605		1	Turn Signal - Left Assembly (inc. 24-28)
6	3304-431		10	Nut, Lock	24	3306-606		1	● Harness, Turn Signal - Right
7	3304-404		6	Screw, Machine		3306-607		1	● Harness, Turn Signal - Left
8	3305-448		3	Clip, Retaining	25	-		4	● Screw, Machine - Part Number Not Available
9	3306-480		1	Footwell - Right	26	3304-825		2	● Bulb
	3306-481		1	Footwell - Left	27	-		2	● Seal - Part Number Not Available
10	3306-488		1	Panel, Clutch Housing	28	3306-506		2	● Lens Assembly
11	3304-586		4	Screw, Cap	29	3304-774		2	Nut, Lock
12	1506-125		2	Footpeg	30	3306-484		1	Housing, Taillight - Outer Right
13	3305-852		4	Washer		3306-485		1	Housing, Taillight - Outer Left
14	0423-678		2	Grommet	31	3306-633		2	Bracket, Mounting - Reflector
15	3304-061		2	Clip, U-Nut	32	3305-273		2	Reflector - Red
16	3306-482		1	Housing, Taillight - Inner Right	33	3304-654		2	Nut, Lock
	3306-483		1	Housing, Taillight - Inner Left	34	3305-703		4	Screw, Machine
17	3304-029		2	Screw, Cap					
18	3306-608		1	Taillight Assembly - Right (inc. 19-21)					
	3306-609		1	Taillight Assembly - Left (inc. 19-21)					
19	3306-610		1	● Harness, Taillight - Right					
	3306-611		1	● Harness, Taillight - Left					



BUMPER, FRAME, AND HEADLIGHT ASSEMBLIES

0746-078

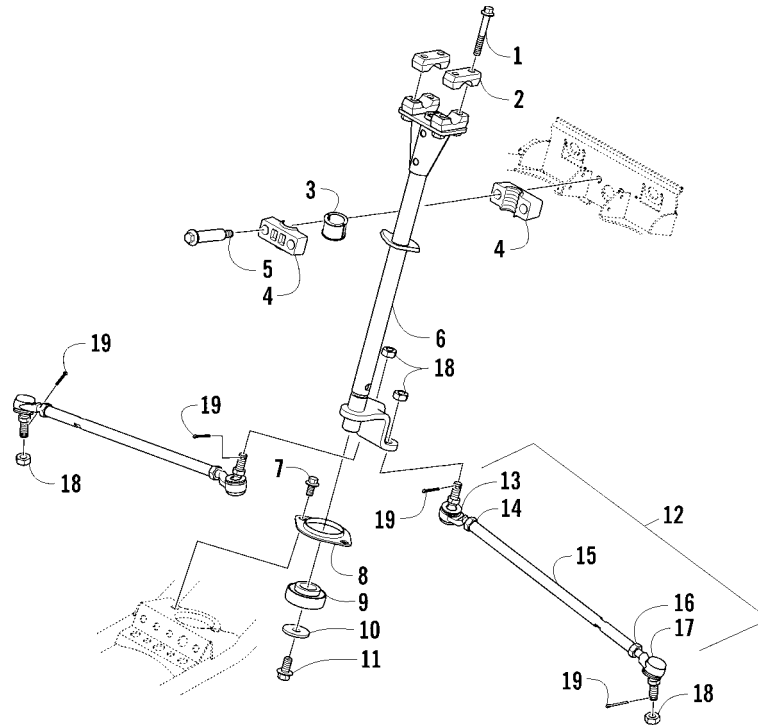
Ref	Part No.	New Qty	Description	Ref	Part No.	New Qty	Description
1	3306-632	1	Frame, Main	24	0541-857	1	Mount, Ball Hitch (inc. 25-26)
2	3306-453	1	Fascia, Lower Front	25	0423-690	1	● Nut, Lock
3	3306-541	2	Bracket, Support - Front Fascia	26	0423-693	1	● Screw, Cap
4	3304-651	6	Screw, Self-Tapping	27	3304-772	1	Light Assembly (inc. 28-34)
5	3304-587	10	Screw, Cap	28	3305-399	2	● Screw, Self-Tapping
6	3306-634	1	Bumper, Front	29	3305-368	1	● Lens
7	3304-543	16	Screw, Cap	30	3305-365	1	● Cover
8	3304-544	10	Screw, Cap	31	3305-366	1	● Seal
9	3313-576	1	Horn, Electric - 12V	32	3305-367	1	● Base
10	3304-553	1	Screw, Cap	33	3303-847	1	● Bulb
11	3313-577	1	Bracket, Mounting - Electrical	34	3305-369	1	● Harness
12	3306-372	1	Relay, Turn Signal	35	3306-641	1	Bracket, Fender Support - Rear
13	3305-395	2	Screw, Machine	36	3304-668	6	Nut, Lock
14	3305-392	1	Lock, Steering	37	3306-597	1	Tube, Support
15	3306-524	1	Bracket, Fender Support - Front Right	38	3306-598	1	Headlight Assembly - Right (inc. 39-44)
	3306-525	1	Bracket, Fender Support - Front Left		3306-599	1	Headlight Assembly - Left (inc. 39-44)
16	3306-522	1	Footrest - Right	39	3306-612	1	● Harness, Headlight - Right Assembly
	3306-523	1	Footrest - Left		3306-613	1	● Harness, Headlight - Left Assembly
17	3306-526	1	Bracket, Fender Support - Rear Right	40	3306-444	1	● Lens Assembly - Right
	3306-527	1	Bracket, Fender Support - Rear Left		3306-445	1	● Lens Assembly - Left
18	3313-755	1	Panel, Belly	41	3313-506	2	● Bulb
19	0423-545	10	Screw, Shoulder	42	3306-447	4	● Bulb, Headlight
20	3306-530	4	Plug	43	-	2	● Seal - Part Number Not Available
21	3306-329	2	Cushion	44	-	8	● Screw, Machine - Part Number Not Available
22	3306-489	1	Fascia, Rear	45	1411-077	1	Decal, Warning - Towing
23	3304-404	4	Screw, Machine				



SEAT ASSEMBLY

0745-795

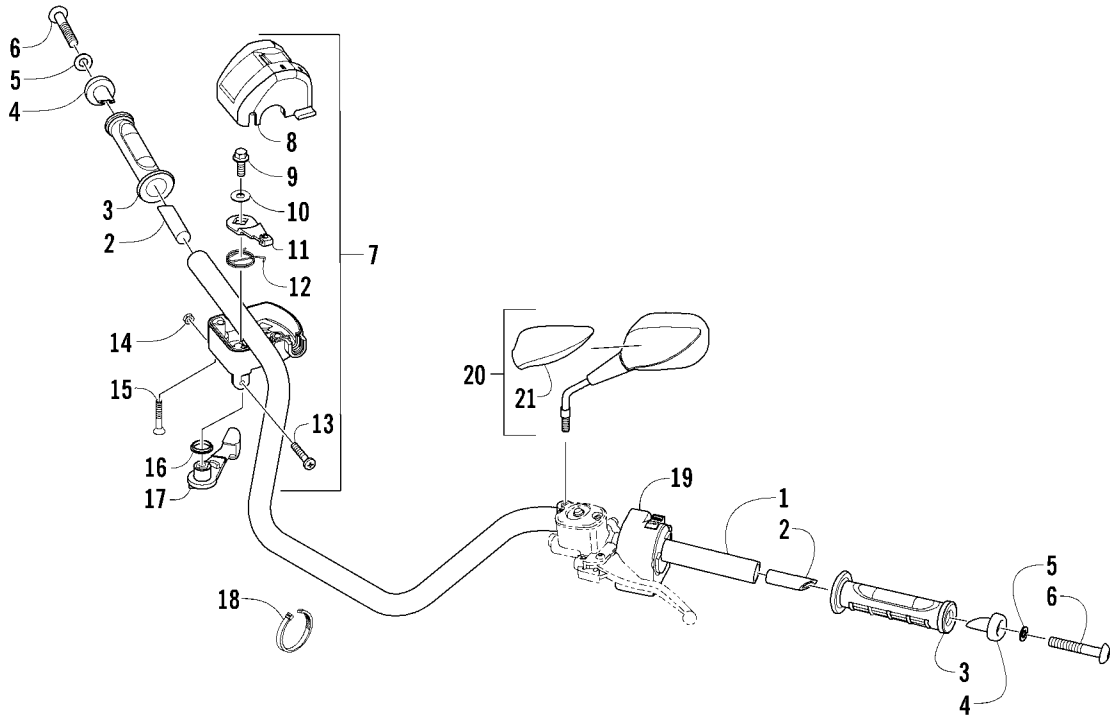
Ref	Part No.	New Qty	Description	Ref	Part No.	New Qty	Description
1	3306-468	1	Seat Assembly (inc. 2-7)	6	3306-469	1	● Latch, Seat
2	3306-470	6	● Bumper, Seat	7	3306-472	1	● Spring, Seat Latch
3	3306-581	2	● Bumper, Seat	8	3306-473	1	Kit, Tool
4	3306-471	2	● Clamp	9	3303-242	1	Retainer, Tool Kit
5	3306-474	4	● Screw, Machine	10	1441-797	1	Wrench, Spanner - Optional



STEERING ASSEMBLY

0745-798

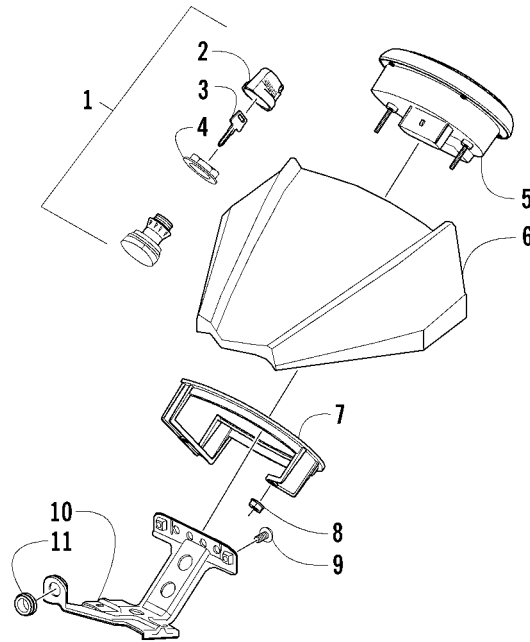
Ref	Part No.	New Qty	Description	Ref	Part No.	New Qty	Description
1	8408-860	4	Screw, Cap	11	8408-820	1	Screw, Cap
2	0405-035	2	Cap, Steering Adjuster	12	3306-722	2	Tie Rod - Assembly (inc. 13-17)
3	3305-496	1	Bushing	13	3306-725	2	● End, Tie Rod - Left-Hand Thread
4	3305-927	2	Block, Mounting - Steering Post	14	3306-727	2	● Nut - Left-Hand Thread
5	3304-649	2	Screw, Shoulder	15	3306-723	2	● Tie Rod
6	3306-623	1	Post, Steering	16	3306-726	2	● Nut - Right-Hand Thread
7	3304-565	2	Screw, Cap	17	3306-724	2	● End, Tie Rod - Right-Hand Thread
8	0602-233	1	Flange, Bearing	18	3306-290	4	Nut
9	0405-052	1	Bearing w/Inverted Oil Seal	19	3305-724	4	Pin, Cotter
10	0423-073	1	Washer				



HANDLEBAR ASSEMBLY

0746-083

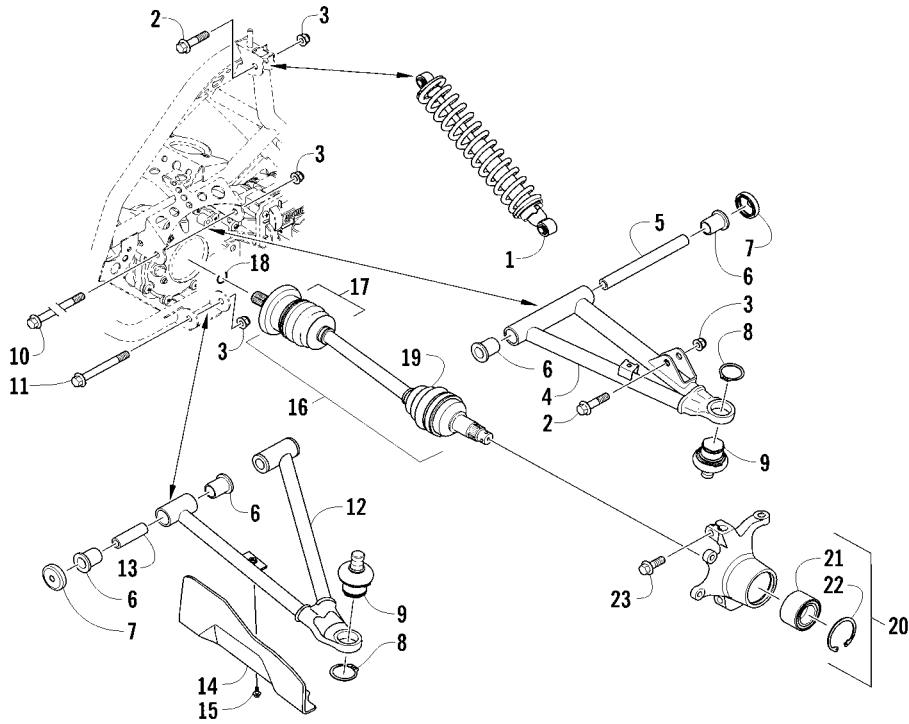
Ref	Part No.	New	Qty	Description	Ref	Part No.	New	Qty	Description
1	3306-614		1	Handlebar	12	3313-839		1	● Spring
2	0405-148		2	Plug, Handlebar	13	3313-740		1	● Screw, Machine
3	3306-448		2	Grip, Handlebar	14	3305-832		1	● Nut
4	0405-149		2	End Cap, Handlebar	15	3313-741		2	● Screw, Machine
5	8050-247		2	Washer	16	3313-841		1	● Spacer
6	8477-845		2	Screw, Machine	17	3313-842		1	● Lever
7	3306-276		1	Case, Throttle - Assembly (inc. 8-17)	18	3303-839		AR	Tie, Cable
8	-	X	1	● Cover, Throttle Case w/Switch - Not Serviced Individually	19	3313-581		1	Switch, Control - Assembly
9	3305-344		1	● Screw, Cap	20	3306-808		1	Mirror - Right (inc. 21)
10	3313-739		1	● Washer		3306-809		1	Mirror - Left (inc. 21)
11	3313-838		1	● Arm, Throttle	21	3306-970	X	1	● Cover, Mirror - Right
						3306-971	X	1	● Cover, Mirror - Left



INSTRUMENT POD ASSEMBLY

0747-075

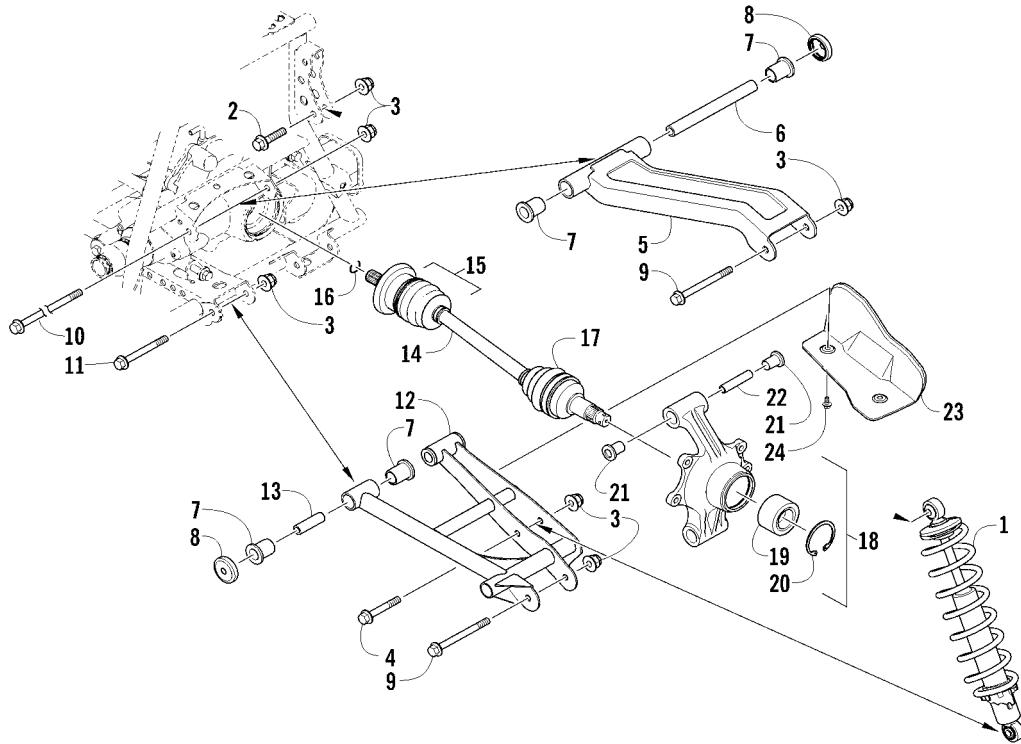
Ref	Part No.	New Qty	Description	Ref	Part No.	New Qty	Description
1	3313-677	1	Switch, Ignition - Assembly (inc. 2-4)	7	0420-065	1	Bracket, Retaining
2	0430-054	1	● Cover, Key	8	0423-493	2	Nut w/Washer
3	3409-007	2	● Key, Ignition - Blank - C Series	9	3304-404	2	Screw, Machine
4	0430-050	1	● Nut, Flange - Ignition Switch	10	3306-538	1	Bracket, Mounting - Pod (inc. 11)
5	0520-205	1	Speedometer - Assembly	11	3303-239	1	● Grommet
6	3306-707	1	Pod, Instrument - Black				



FRONT SUSPENSION ASSEMBLY

0745-886

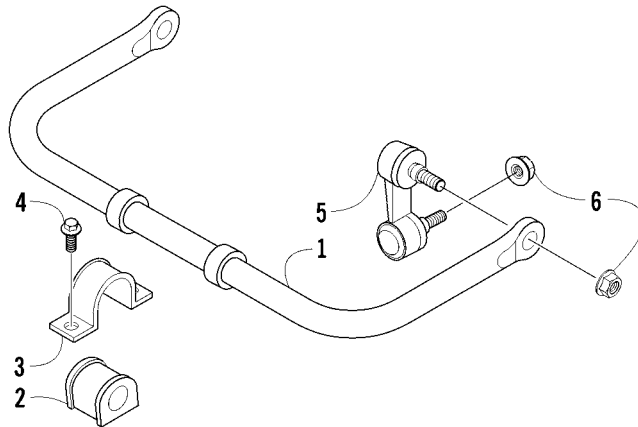
Ref	Part No.	New	Qty	Description	Ref	Part No.	New	Qty	Description
1	3306-869	X	2	Shock/Spring Assembly - Red	13	3313-107		4	● Axle
2	3303-376		4	Screw, Cap	14	3306-456		1	Mudguard - Right
3	3304-031		10	Nut, Lock		3306-457		1	Mudguard - Left
4	3306-564		1	A-Arm, Upper Right - Platinum (inc. 5-9)	15	3304-587		2	Screw, Cap
	3306-565		1	A-Arm, Upper Left - Platinum (inc. 5-9)	16	3313-831		2	Axle, Drive - Front (inc. 17-19)
5	3313-111		2	● Axle	17	3313-560		2	● Repair Kit, Boot - Drive Axle - Inbound (inc. 18)
6	3313-112		12	● Bushing	18	0423-844		2	●● Clip, Retaining
7	3313-113		12	● Seal	19	3313-558		2	● Repair Kit, Boot - Drive Axle - Outbound
8	0423-009		4	● Ring, Retaining	20	3323-130		1	Knuckle - Assembly - Right (inc. 21-22)
9	0405-483		4	● Ball Joint		3323-131		1	Knuckle - Assembly - Left (inc. 21-22)
10	3313-430		2	Screw, Cap	21	1402-809		2	● Bearing
11	3304-183		4	Screw, Cap	22	0423-423		2	● Ring, Retaining
12	3306-566		1	A-Arm, Lower Right - Platinum (inc. 6-9 and 13)	23	3323-127		4	Screw, Cap
	3306-567		1	A-Arm, Lower Left - Platinum (inc. 6-9 and 13)					



REAR SUSPENSION ASSEMBLY

0745-888

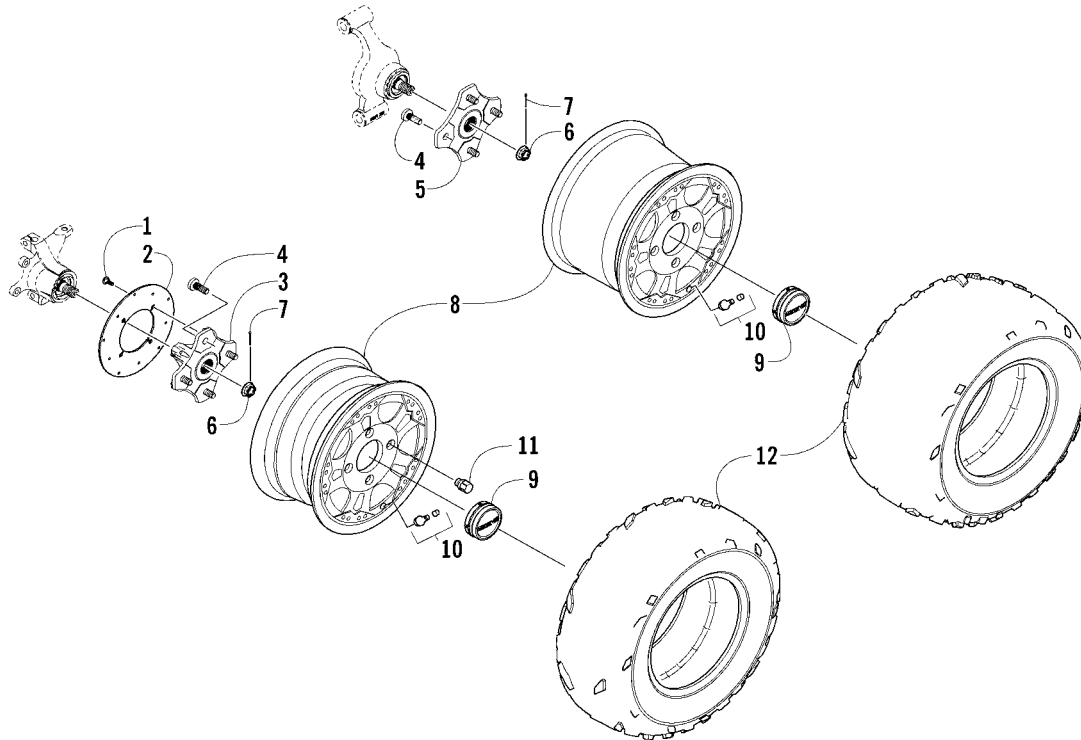
Ref	Part No.	New	Qty	Description	Ref	Part No.	New	Qty	Description
1	3306-878	X	2	Shock/Spring Assembly - Red	13	3313-107		4	● Axle
2	3303-376		2	Screw, Cap	14	3313-832		2	Axle, Drive (inc. 15-17)
3	3304-031		14	Nut, Lock	15	3313-560		2	● Repair Kit, Boot - Drive Axle - Inbound
4	8409-065		2	Screw, Cap	16	0423-845		2	● Ring, Retaining
5	3306-414		1	A-Arm, Upper Right - Platinum (inc. 6-8)	17	3306-425		2	● Repair Kit, Boot - Drive Axle - Outbound
	3306-415		1	A-Arm, Upper Left - Platinum (inc. 6-8)	18	3323-108		1	Knuckle - Assembly - Right (inc. 19-22)
6	3313-111		2	● Axle		3323-109		1	Knuckle - Assembly - Left (inc. 19-22)
7	3313-112		12	● Bushing	19	1402-809		2	● Bearing
8	3313-113		12	● Seal	20	0423-423		2	● Ring, Retaining
9	3323-188		4	Screw, Cap	21	0403-206		8	● Bushing
10	3313-430		2	Screw, Cap	22	0403-213		4	● Axle
11	3304-183		4	Screw, Cap	23	3306-486		1	Mudguard - Right
12	3306-568		1	A-Arm, Lower Right - Platinum (inc. 7-8 and 13)	23	3306-487		1	Mudguard - Left
	3306-569		1	A-Arm, Lower Left - Platinum (inc. 7-8 and 13)	24	3304-587		4	Screw, Cap



SWAYBAR ASSEMBLY

0745-800

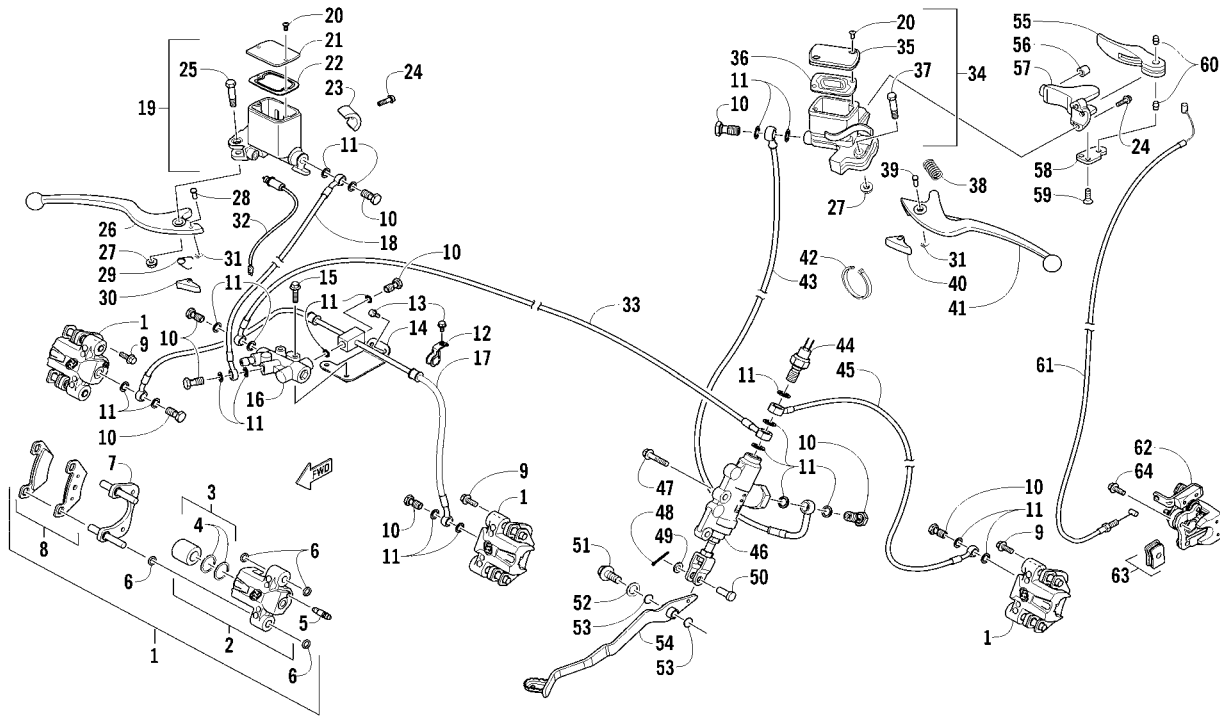
Ref	Part No.	New Qty	Description	Ref	Part No.	New Qty	Description
1	3306-500	1	Sway Bar	5	3306-502	1	Ball-Joint Assembly - Right
2	3306-501	2	Bushing		3306-503	1	Ball-Joint Assembly - Left
3	3306-504	2	Clamp	6	3304-031	4	Nut, Lock
4	3304-543	4	Screw, Cap				



WHEEL AND TIRE ASSEMBLY

0747-078

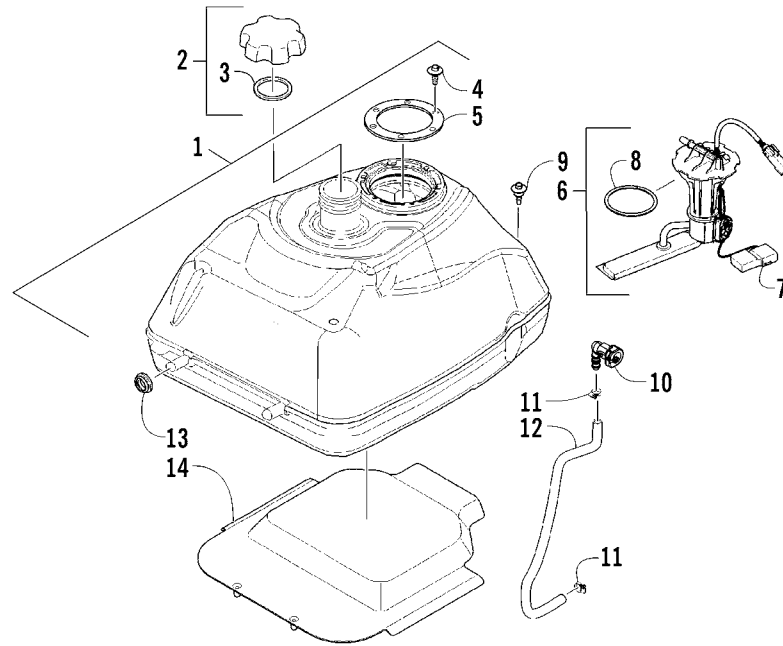
Ref	Part No.	New Qty	Description	Ref	Part No.	New Qty	Description
1	0423-557	12	Screw, Shoulder	8	3306-460	2	Wheel - Front
2	1436-806	3	Disc, Brake		3306-465	2	Wheel - Rear
3	3306-461	2	Hub, Wheel - Front (inc. 4)	9	3306-467	4	Cap, Wheel
4	0402-974	16	● Stud	10	3303-887	4	Stem, Valve
5	3306-466	1	Hub, Wheel - Right Rear (inc. 4)	11	3306-464	16	Nut, Lug
	3306-461	1	Hub, Wheel - Left Rear (inc. 4)	12	3306-624	2	Tire - Front
6	0423-607	4	Nut, Castle		3306-625	2	Tire - Rear
7	0423-407	4	Pin, Cotter				



HYDRAULIC AND PARKING BRAKE ASSEMBLIES

0746-084

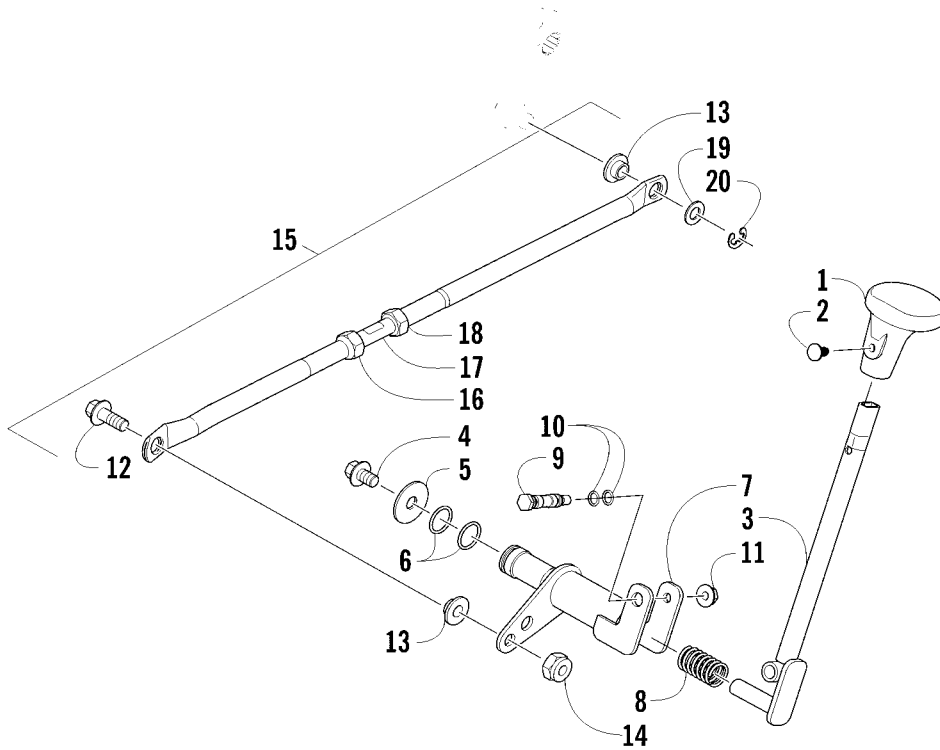
Ref	Part No.	New	Qty	Description	Ref	Part No.	New	Qty	Description
1	3323-230		1	Caliper, Brake - Right Front (inc. 2-8)	30	3305-382		1	Lock, Brake Lever
	3323-231		1	Caliper, Brake - Left Front (inc. 2-8)	31	3304-680		2	Ring, Retaining
	3323-230		1	Caliper, Brake - Rear (inc. 2-8)	32	3306-449		1	Switch, Brake
2	1436-160		1	● Housing, Caliper - Assembly - Right Front (inc. 3-5)	33	3306-619		1	Hose, Brake
	1436-161		1	● Housing, Caliper - Assembly - Left Front (inc. 3-5)	34	3306-972	X	1	Brake, Rear - Assembly (inc. 20 and 35-36)
	1436-160		1	● Housing, Caliper - Assembly - Rear (inc. 3-5)	35	3306-622		1	● Cover, Reservoir
3	0502-606		3	●●● Piston/Seal Set (inc. 4)	36	3303-925		1	● Diaphragm
4	0502-607		3	●●● Seal Set	37	3304-017		1	Screw, Shoulder
5	0502-609		3	●● Valve, Bleed	38	3304-678		1	Spring
6	0502-608		3	● O-Ring, Guide - Set	39	3304-679		1	Pin, Brake Lever
7	0502-605		3	● Bracket Assembly	40	3304-442		1	Lock, Brake Lever
8	1502-694		3	● Pad, Brake - Set	41	3304-369		1	Lever, Brake - Left
9	3305-785		6	Screw, Cap	42	0123-788	AR		Tie, Cable - 8 in.
10	3303-257		9	Bolt, Banjo-Fitting	43	3306-620		1	Hose, Brake
11	3303-284		21	Washer, Crush	44	3313-680		1	Switch, Brake
12	3303-919		2	Clamp, Brake Hose	45	3313-681		1	Hose, Brake
13	3304-553		4	Screw, Cap	46	3306-370		1	Brake Assembly
14	3306-618		1	Bracket, Mounting - Brake Hose Assembly	47	3303-383		2	Screw, Cap
15	3306-646		2	Screw, Cap	48	3304-141		1	Pin, Cotter
16	3306-617		1	Brake Assist	49	3304-050		1	Washer
17	3306-621		1	Hose, Brake - Assembly	50	3306-152		1	Pin, Clevis
18	3306-451		1	Hose, Brake	51	3304-543		1	Screw, Cap
19	3306-452		1	Brake, Front - Assembly (inc. 20-23)	52	3304-135		1	Washer
20	3303-318		4	● Screw, Machine	53	1602-213		2	O-Ring
21	3305-381		1	● Cover, Reservoir	54	3306-499		1	Pedal, Brake
22	3305-407		1	● Diaphragm	55	3305-665		1	Lever, Park Brake
23	3305-983		1	● Clamp, Handlebar	56	3305-669		1	Bumper
24	3304-746		4	Screw, Cap	57	3305-664		1	Clamp, Handlebar
25	3303-254		1	Screw, Shoulder	58	3305-667		1	Bracket, Retaining
26	3307-041	X	1	Lever, Brake - Right	59	3305-668		2	Screw, Machine
27	3304-654		2	Nut, Lock	60	3305-666		2	Pin, Pivot
28	3305-384		1	Pin, Brake Lever	61	3306-615		1	Cable
29	3305-383		1	Spring	62	3313-651		1	Caliper (inc. 63)
					63	3305-788		1	● Pad, Brake - Set
					64	3305-784		2	Screw, Cap



GAS TANK ASSEMBLY

0745-752

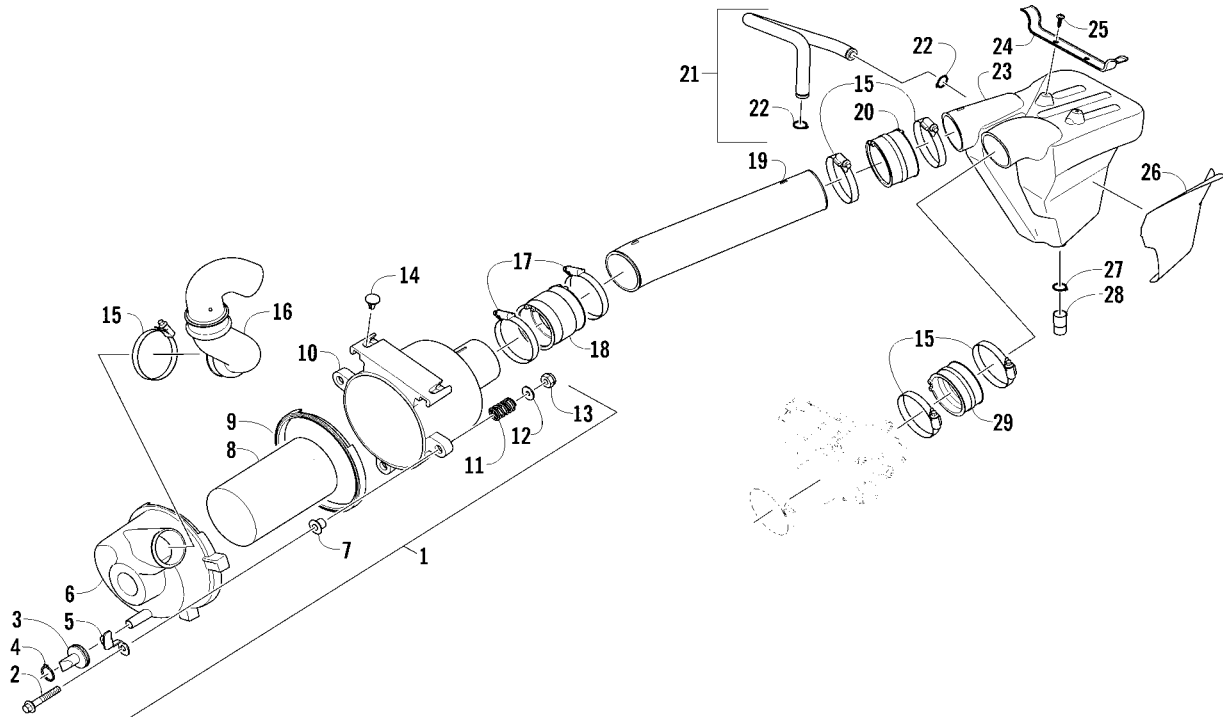
Ref	Part No.	New Qty	Description	Ref	Part No.	New Qty	Description
1	3306-244	1	Tank, Gas - Assembly (inc. 2-5)	8	3313-845	1	● Seal
2	3306-297	1	● Cap, Gas Tank (inc. 3)	9	0423-732	1	Screw, Shoulder
3	3306-298	1	●● Gasket, Gas Tank Cap	10	1670-878	1	Fitting, Quick-Connect
4	3306-300	6	● Screw, Self-Tapping	11	0623-373	2	Clamp, Hose
5	3306-299	1	● Plate, Retaining	12	3306-363	1	Hose, Fuel - Assembly
6	3306-296	1	Pump, Fuel - Assembly (inc. 7-8)	13	0423-460	2	Grommet
7	2670-235	1	● Float	14	3313-833	1	Shield, Heat



SHIFT LEVER ASSEMBLY

0745-758

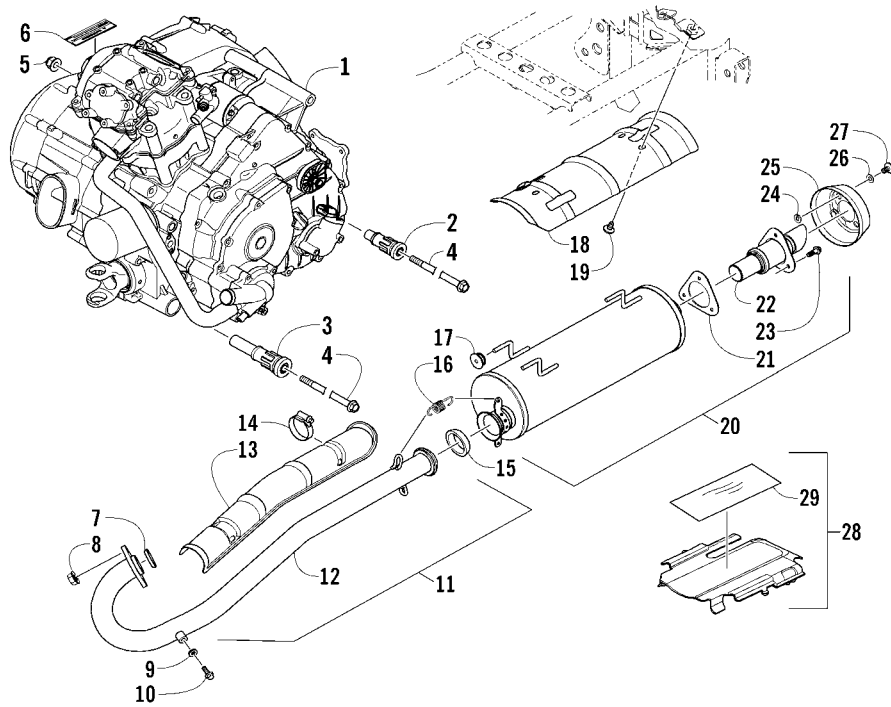
Ref	Part No.	New Qty	Description	Ref	Part No.	New Qty	Description
1	0402-843	1	Knob, Shift Lever	11	3304-654	1	Nut, Lock
2	0423-345	1	Clip, Retaining	12	3313-821	1	Screw, Cap
3	3306-497	1	Lever, Shift	13	3323-037	2	Bushing
4	3304-544	1	Screw, Cap	14	3305-396	1	Nut, Lock
5	0423-087	1	Washer	15	3306-319	1	Linkage, Shift - Assembly (inc. 16-18)
6	0423-299	2	O-Ring	16	3303-327	1	● Nut, Hex - Right-Hand Thread
7	3306-317	1	Actuator, Shift	17	3313-278	1	● Adjuster, Shift Linkage
8	0402-678	1	Spring, Shift Lever	18	3313-822	1	● Nut, Hex - Left-Hand Thread
9	0402-675	1	Axle, Pivot	19	8050-252	1	Washer
10	0423-182	2	O-Ring	20	3313-766	1	E-Ring



AIR INTAKE ASSEMBLY

0745-760

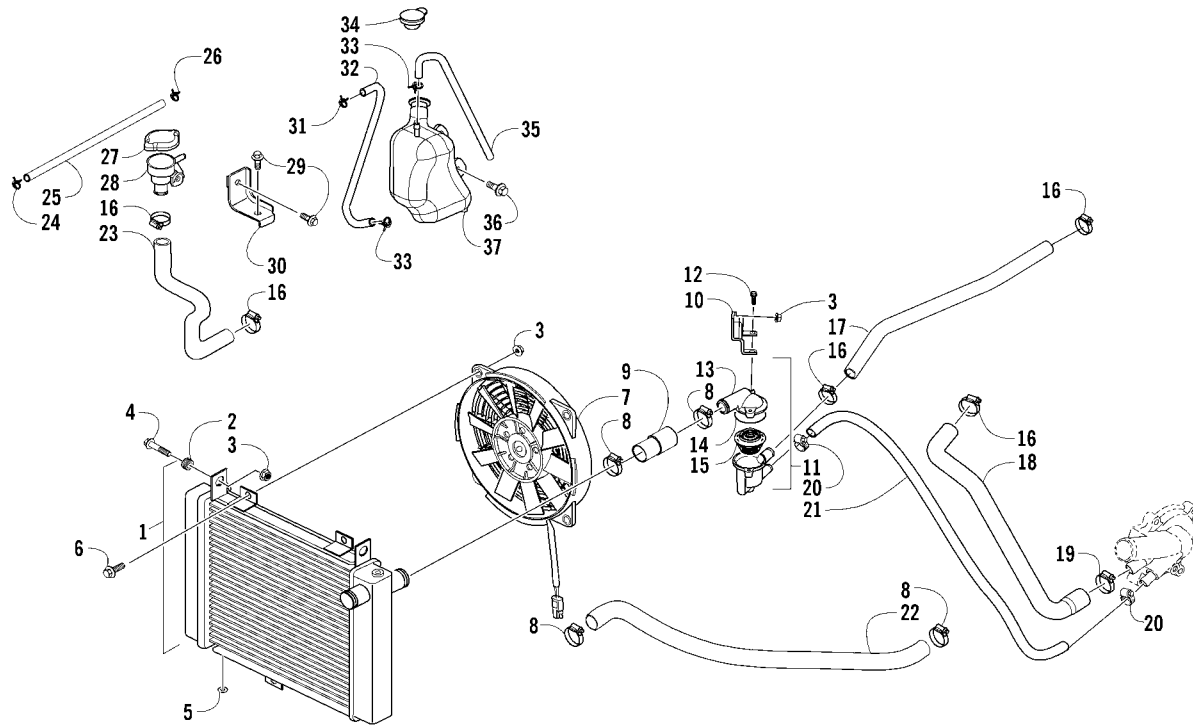
Ref	Part No.	New Qty	Description	Ref	Part No.	New Qty	Description
1	3313-395	1	Filter, Air - Assembly (inc. 2-13)	16	3313-816	1	Boot, Air Intake
2	8408-850	3	● Screw, Cap	17	3313-817	2	Clamp
3	0470-442	1	● Valve, Drain	18	3313-275	1	Boot, Air Intake
4	3313-705	1	● Clamp	19	3313-063	1	Boot, Air Intake
5	3313-375	3	● Latch	20	3313-274	1	Boot, Air Intake
6	3313-376	1	● Cover, Air Filter	21	3313-397	1	Hose, Oil Catch (inc. 22)
7	3313-853	3	● Spacer	22	3304-167	2	● Clamp, Hose
8	3313-378	1	● Element, Air Filter	23	3313-224	1	Housing, Air Intake
9	3313-446	1	● Gasket, Air Filter	24	3313-356	1	Bracket, Mounting - Air Intake Housing
10	3313-377	1	● Housing, Air Filter	25	3304-409	2	Screw, Self-Tapping
11	0402-678	3	● Spring	26	3313-362	1	Foil, Protective
12	8050-222	3	● Washer	27	3313-706	1	Clamp
13	3303-269	3	● Nut, Lock	28	3313-543	1	Pipe, Drain
14	3305-448	2	Clip, Retaining	29	3306-309	1	Boot, Air Intake
15	0423-380	5	Clamp				



ENGINE AND EXHAUST

0748-278

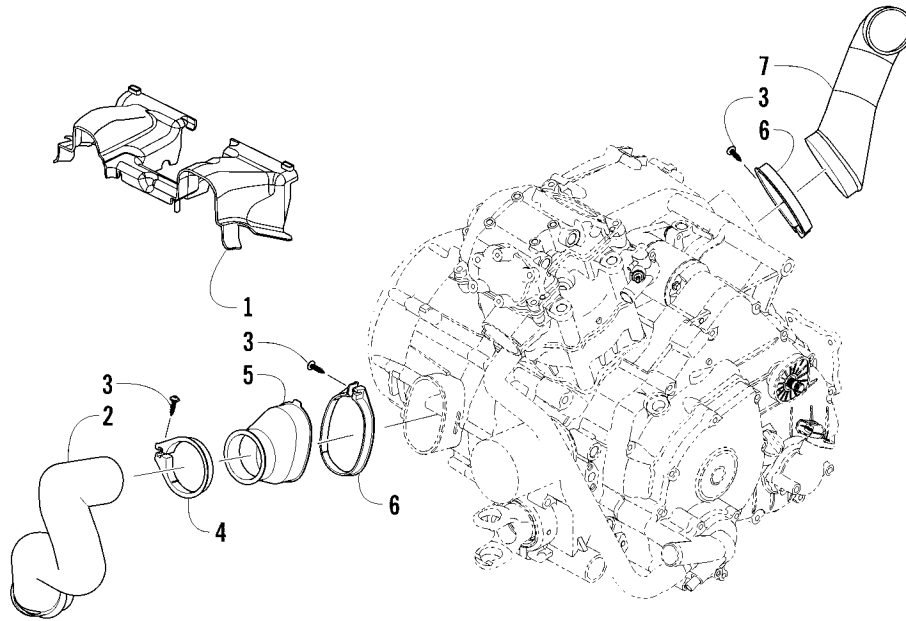
Ref	Part No.	New	Qty	Description	Ref	Part No.	New	Qty	Description
1	3313-846		1	Engine (inc. 2-3)	16	0612-668		2	Spring, Extension
2	0801-188		3	● Mount, Rubber - Engine	17	3313-264		3	Bushing
3	0801-189		1	● Mount, Rubber - Engine	18	3313-026		1	Cover, Muffler
4	3323-174		2	Screw, Cap	19	3313-711		3	Screw, Cap
5	3304-031		2	Nut, Lock	20	3306-628		1	Muffler - Assembly (inc. 21-23)
6	0411-426		1	Decal, Warning - Clutch Cover	21	3313-708		1	● Gasket, Spark Arrester
7	3313-743		1	Gasket, Exhaust Pipe	22	3306-493		1	● Arrester, Spark - Assembly
8	3303-332		2	Nut	23	3313-710		3	● Screw, Cap
9	3305-773		1	Washer	24	3304-140		3	Washer, Lock
10	3306-629		1	Screw, Cap	25	3306-494		1	End Cap, Muffler
11	3306-369		1	Pipe, Exhaust - Assembly (inc. 12-14)	26	3306-496		3	Washer
12	3306-368		1	● Pipe, Exhaust	27	3306-495		3	Screw, Machine
13	3306-366		1	● Shield, Exhaust	28	3313-596		1	Shield, Gearcase (inc. 29)
14	0423-317		2	● Clamp	29	3306-582		1	● Foil, Protective
15	3306-315		1	Seal, Exhaust					



COOLING ASSEMBLY

0745-820

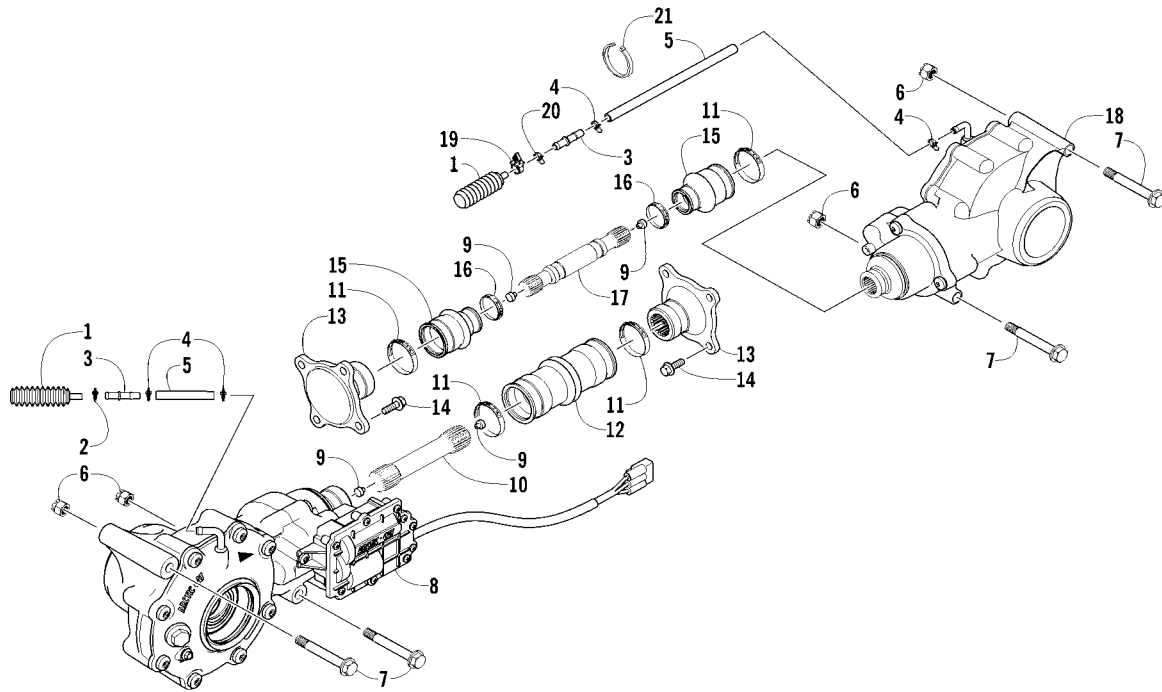
Ref	Part No.	New Qty	Description	Ref	Part No.	New Qty	Description
1	3306-533	1	Radiator (inc. 2)	20	0423-098	2	Clamp, Hose
2	0423-030	2	● Grommet	21	3306-258	1	Hose, Coolant - Thermostat/Water Pump
3	3304-654	6	Nut, Lock	22	3306-535	1	Hose, Coolant - Radiator/Water Pump
4	3313-166	2	Screw, Shoulder	23	3306-536	1	Hose, Coolant - Filler Neck/Radiator
5	0423-028	2	Bushing	24	3304-161	1	Clamp, Hose
6	3304-587	3	Screw, Cap	25	3306-534	1	Hose, Coolant - Filler Neck/Thermostat
7	3323-204	1	Fan, Cooling - Assembly	26	3306-349	1	Clamp, Hose
8	3306-256	4	Clamp, Hose	27	3303-748	1	Cap, Filler Neck
9	3306-438	1	Hose, Coolant - Radiator/Thermostat	28	3303-738	1	Neck, Filler
10	3306-260	1	Bracket, Mounting - Thermostat Housing	29	3304-553	2	Screw, Cap
11	0808-192	1	Housing, Thermostat - Assembly (inc. 12-15)	30	3306-336	1	Bracket, Mounting - Filler Neck
12	3303-384	2	● Screw, Cap	31	3303-349	1	Clamp, Hose
13	0808-202	1	● Cover, Housing - Thermostat	32	3306-340	1	Hose, Coolant - Reservoir/Filler Neck
14	0830-205	1	● O-Ring	33	3304-163	2	Clamp, Hose
15	0813-050	1	● Thermostat	34	3303-749	1	Cap, Reservoir
16	1423-008	5	Clamp, Hose	35	3306-339	1	Hose, Vent
17	3306-255	1	Hose, Coolant - Thermostat/Cylinder	36	3304-652	2	Screw, Cap
18	0410-216	1	Hose, Coolant - Water Pump/Cylinder	37	3313-661	1	Tank, Reservoir
19	3305-941	1	Clamp, Hose				



CASE/BELT COOLING ASSEMBLY

0745-821

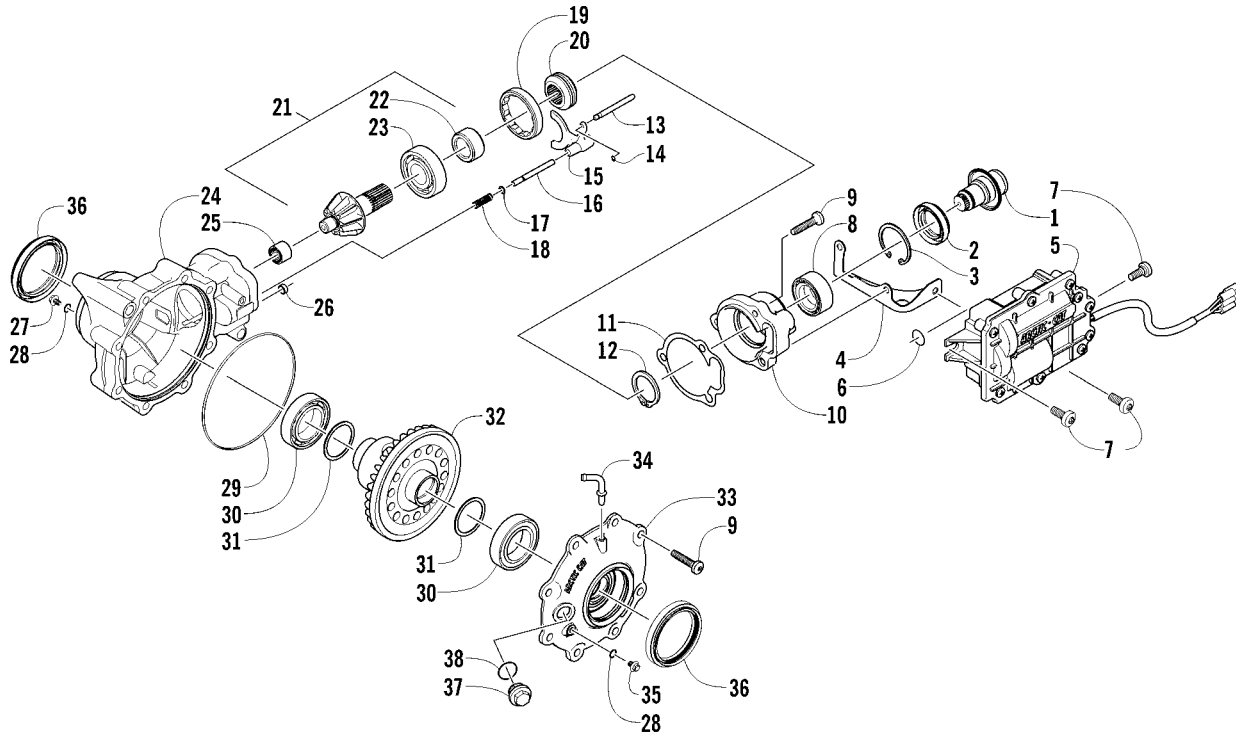
Ref	Part No.	New Qty	Description	Ref	Part No.	New Qty	Description
1	3306-455	1	Cover, Air In Duct	5	3313-782	1	Boot, Duct
2	3313-065	1	Duct, Air In	6	0423-550	2	Clamp
3	0423-342	3	Screw, Self-Tapping	7	3306-532	1	Duct, Air Out
4	0423-551	1	Clamp				



DRIVE TRAIN ASSEMBLY

0745-822

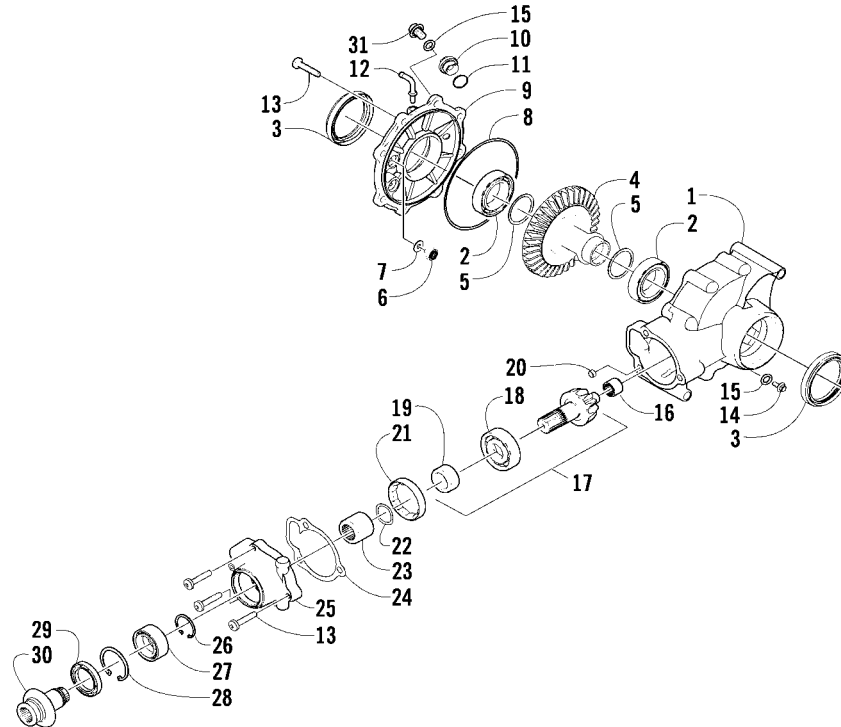
Ref	Part No.	New Qty	Description	Ref	Part No.	New Qty	Description
1	3313-796	2	Bladder, Gearcase	12	3313-825	1	Boot, Coupler
2	3323-149	1	Clamp, Hose	13	3313-774	2	Flange, Output
3	3323-150	2	Fitting, Vent	14	3304-565	8	Screw, Cap
4	3313-684	4	Clamp, Hose	15	0402-985	2	Boot
5	0410-070	AR	Hose, Vent	16	3313-777	2	Clamp
6	3304-031	4	Nut, Lock	17	3313-773	1	Shaft, Propeller
7	3305-787	4	Screw, Cap	18	3306-023	1	Gearcase, Rear
8	3306-265	1	Gearcase, Front	19	3323-152	1	Clip, Routing
9	3313-783	4	Bumper, Propeller Shaft	20	3303-349	1	Clamp, Hose
10	3313-784	1	Shaft, Propeller	21	0123-788	AR	Tie, Cable - 8 in.
11	3313-776	4	Clamp				



FRONT DRIVE GEARCASE ASSEMBLY

0745-296

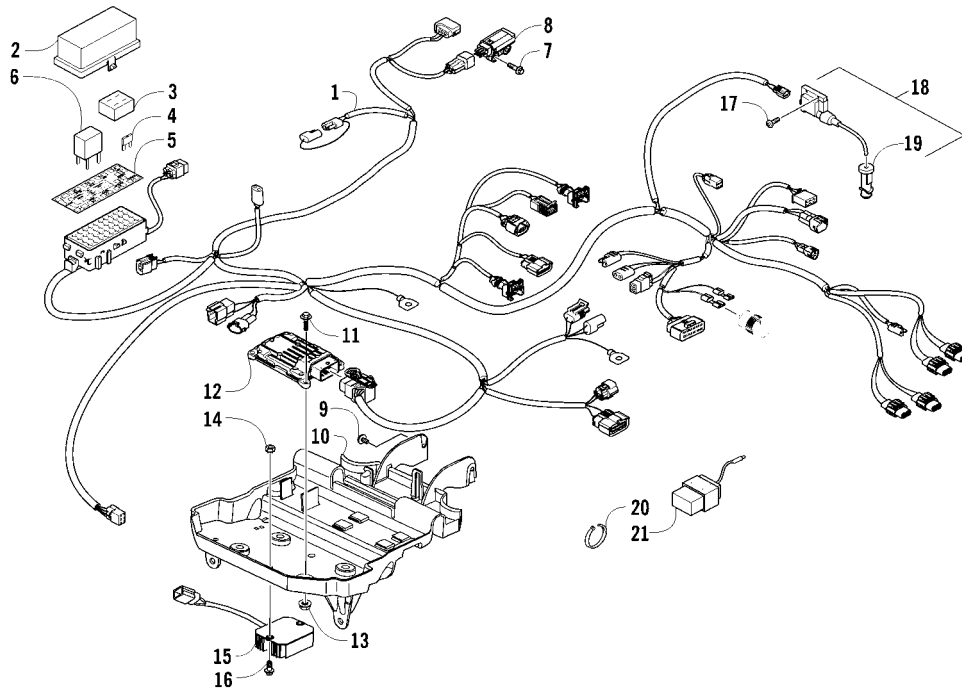
Ref	Part No.	New	Qty	Description	Ref	Part No.	New	Qty	Description
-	3306-265		1	Complete Front Drive Gearcase Assembly	22	0402-336		1	● Collar, Retaining
1	3306-047		1	Shaft, Input	23	3306-040		1	● Bearing
2	3323-239		1	Seal	24	3313-793		1	Housing, Gearcase
3	3306-046		1	Ring, Retaining	25	3306-038		1	Bearing
4	3323-241		1	Bracket, Actuator	26	3306-048		1	Pin, Dowel
5	3306-264		1	Actuator	27	3306-027		1	Plug, Magnetic (inc. one No. 28)
6	3313-792		1	O-Ring	28	0423-153		2	● O-Ring
7	3313-797		3	Screw, Self-Tapping	29	3306-030		1	O-Ring
8	3323-240		1	Bearing	30	3306-801		2	Bearing
9	3303-615		11	Screw, Self-Tapping	31	3306-132		AR	Shim, 41 x 49 x 1.0 mm
10	3323-238		1	Housing, Pinion		3306-133		AR	Shim, 41 x 49 x 1.1 mm
11	3323-234		1	Gasket, Flange		3306-134		AR	Shim, 41 x 49 x 1.2 mm
12	3306-045		1	Ring, Retaining		3306-135		AR	Shim, 41 x 49 x 1.3 mm
13	3323-235		1	Shaft, Selector		3306-136		AR	Shim, 41 x 49 x 1.4 mm
14	3313-791		1	Ring, Retaining		3306-137		AR	Shim, 41 x 49 x 1.5 mm
15	3323-236		1	Fork, Selector		3306-138		AR	Shim, 41 x 49 x 1.6 mm
16	3323-233		1	Shaft, Shuttle		3306-139		AR	Shim, 41 x 49 x 1.7 mm
17	3313-790		1	O-Ring	32	3313-794		1	Gear, Ring - 34T
18	3313-789		1	Spring, Return	33	3313-795		1	Cover, Gearcase
19	3313-788		1	Collar, Lock	34	3306-034		1	Fitting, Elbow
20	3323-232		1	Coupler, Drive	35	3306-036		1	Plug, Oil Level (inc. one No. 28)
21	3306-039		1	Gear, Pinion - Assembly - 11T (inc. 22-23)	36	3306-025		2	Seal
					37	3306-035		1	Plug, Fill (inc. 38)
					38	0423-154		1	● O-Ring



REAR DRIVE GEARCASE ASSEMBLY

0741-524

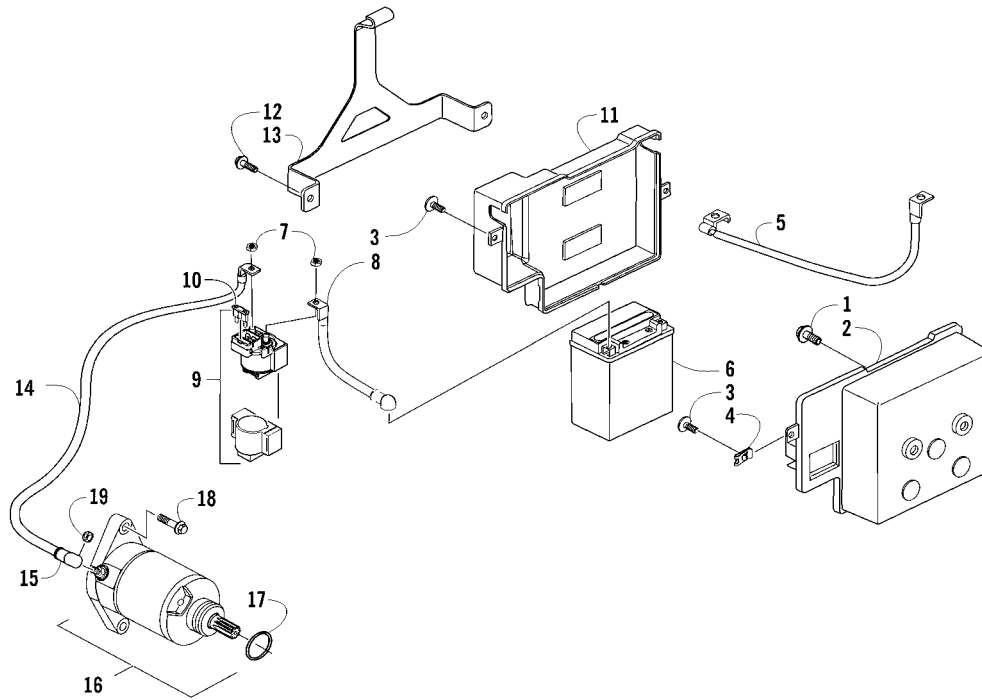
Ref	Part No.	New Qty	Description	Ref	Part No.	New Qty	Description
-	3306-023	1	Complete Rear Drive Gearcase Assembly	9	3306-033	1	Cover, Gearcase
1	3306-024	1	Housing, Gearcase	10	3306-035	1	Plug, Fill (inc. 11)
2	3306-801	2	Bearing	11	0423-154	1	● O-Ring
3	3306-025	2	Seal	12	3306-034	1	Fitting, Elbow
4	3306-029	1	Gear, Ring - 34T	13	3303-615	11	Screw, Self-Tapping
5	3306-132	AR	Shim, 41 x 49 x 1.0 mm	14	3306-027	1	Plug, Magnetic (inc. one No. 15)
	3306-133	AR	Shim, 41 x 49 x 1.1 mm	15	0423-153	2	● O-Ring
	3306-134	AR	Shim, 41 x 49 x 1.2 mm	16	3306-038	1	Bearing
	3306-135	AR	Shim, 41 x 49 x 1.3 mm	17	3306-039	1	Gear, Pinion - Assembly - 11T (inc. 18-19)
	3306-136	AR	Shim, 41 x 49 x 1.4 mm	18	3306-040	1	● Bearing
	3306-137	AR	Shim, 41 x 49 x 1.5 mm	19	0402-336	1	● Collar, Retaining
	3306-138	AR	Shim, 41 x 49 x 1.6 mm	20	3306-048	1	Pin, Dowel
	3306-139	AR	Shim, 41 x 49 x 1.7 mm	21	3306-042	1	Collar, Lock
6	3306-031	1	Button, Thrust	22	3306-043	1	Washer, Wave
7	3306-124	AR	Shim, 6.3 x 18 x 1.0 mm	23	3306-044	1	Collar, Shaft
	3306-125	AR	Shim, 6.3 x 18 x 1.1 mm	24	3323-234	1	Gasket, Flange
	3306-126	AR	Shim, 6.3 x 18 x 1.2 mm	25	3306-049	1	Housing, Pinion
	3306-127	AR	Shim, 6.3 x 18 x 1.3 mm	26	3306-045	1	Ring, Retaining
	3306-128	AR	Shim, 6.3 x 18 x 1.4 mm	27	3323-240	1	Bearing
	3306-129	AR	Shim, 6.3 x 18 x 1.5 mm	28	3306-046	1	Ring, Retaining
	3306-130	AR	Shim, 6.3 x 18 x 1.6 mm	29	3323-239	1	Seal
	3306-131	AR	Shim, 6.3 x 18 x 1.7 mm	30	3306-047	1	Shaft, Input
8	3306-030	1	O-Ring	31	3306-036	1	Plug, Oil Level (inc. one No. 15)



WIRING HARNESS ASSEMBLY

0746-087

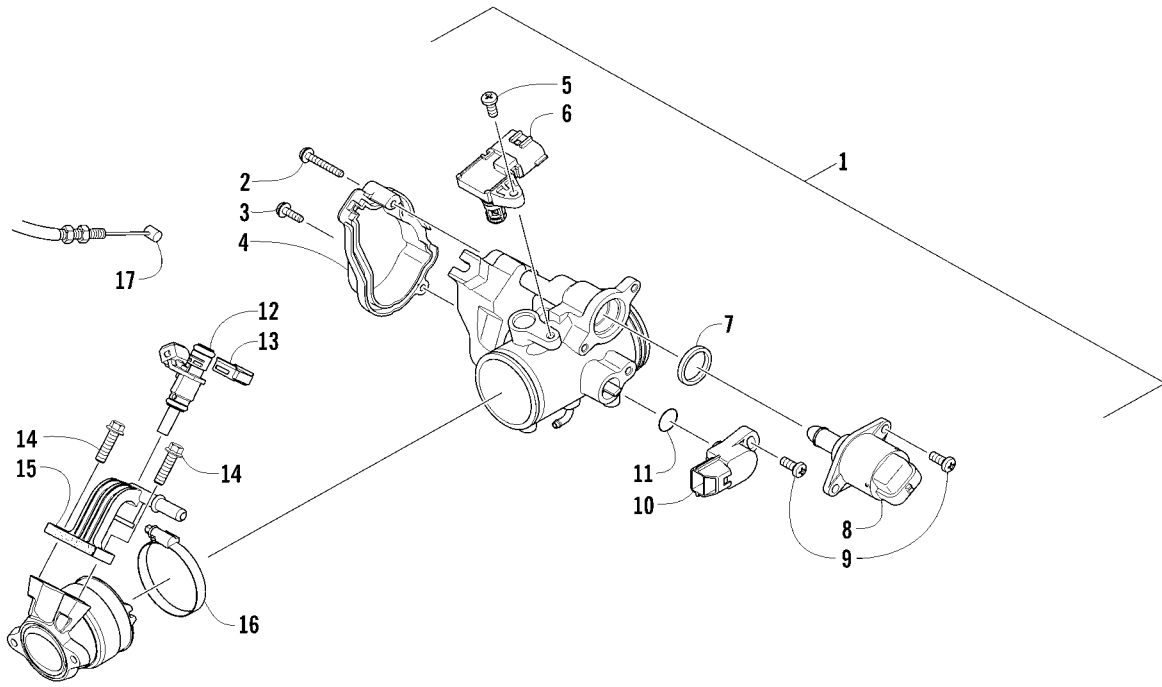
Ref	Part No.	New	Qty	Description	Ref	Part No.	New	Qty	Description
1	0486-475		1	Harness, Main (inc. 2-6)	10	3306-454		1	Tray, Electrical
2	0530-008		1	● Cover, Fuse Block	11	3304-586		4	Screw, Cap
3	0430-037		1	● Holder, Fuse	12	0530-062		1	ECM
4	0430-032		7	● Fuse - 10 Amp	13	3304-431		4	Nut, Lock
	0430-031		4	● Fuse - 15 Amp	14	3304-654		2	Nut, Lock
	3304-212		1	● Fuse - 30 Amp	15	3306-517		1	Regulator, Voltage
5	2411-566		1	● Decal, Fuse Block	16	3305-344		2	Screw, Cap
6	0430-045		1	● Relay (4-Pin) - 20 Amp	17	3306-326		2	Screw, Cap
	0430-033		3	● Relay (5-Pin) - 30 Amp	18	0824-073		1	Coil, Ignition - Assembly (inc. 19)
7	3306-327		2	Screw, Cap	19	0824-056		1	● Cap, Spark Plug
8	3306-325		1	Sensor, Tilt	20	3303-289		AR	Tie, Cable
9	0423-345		2	Clip, Retaining	21	3304-778		1	Control, Hazard



BATTERY AND STARTER ASSEMBLY

0745-825

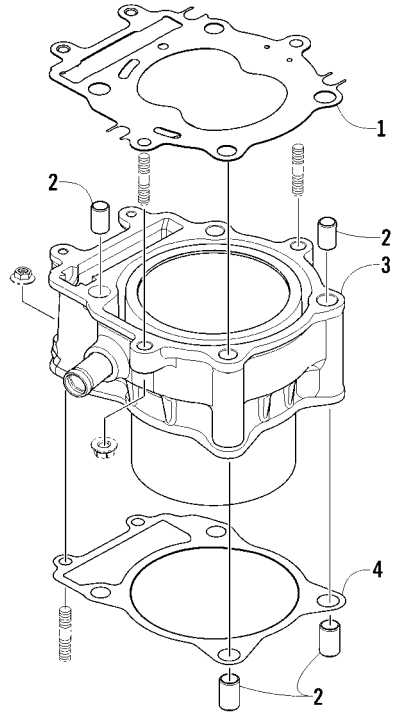
Ref	Part No.	New Qty	Description	Ref	Part No.	New Qty	Description
1	3306-478	2	Screw, Cap	11	3306-477	1	Cover, Battery Box
2	3306-476	1	Box, Battery	12	3304-553	2	Screw, Cap
3	3304-029	4	Screw, Cap	13	3306-475	1	Bracket, Mounting - Battery Box
4	3304-061	3	Clip, U-Nut	14	3306-440	1	Cable, Solenoid/Starter (inc. 15)
5	3306-441	1	Cable, Ground	15	-	1	● Boot, Terminal - Part Number not Available
6	3306-301	1	Battery Assembly	16	3305-954	1	Motor, Starter - Assembly (inc. 17)
7	3304-654	2	Nut, Lock	17	3304-104	1	● O-Ring
8	3306-518	1	Cable, Battery/Solenoid	18	3305-946	2	Screw, Cap
9	3306-519	1	Solenoid (inc. 10)	19	3304-011	1	Nut w/Washer
10	3304-212	1	● Fuse - 30 Amp				



THROTTLE BODY ASSEMBLY

0745-777

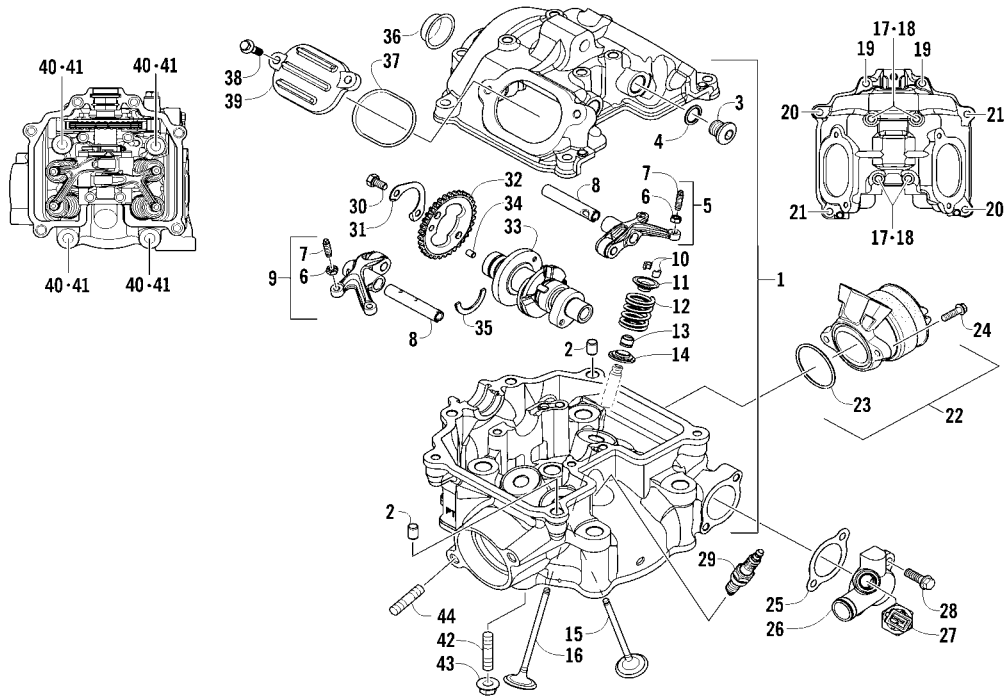
Ref	Part No.	New Qty	Description	Ref	Part No.	New Qty	Description
1	3306-350	1	Throttle Body - Assembly (inc. 2-11)	10	0824-053	1	● Sensor, Throttle Position (inc. 11)
2	3306-267	1	● Screw, Machine	11	3306-150	1	●● O-Ring
3	3306-266	1	● Screw, Machine	12	3306-251	1	Injector, Fuel
4	0824-060	1	● Cover	13	3306-253	1	Clip, Retaining
5	0835-007	1	● Screw, Machine	14	3305-344	2	Screw, Cap
6	0824-052	1	● Sensor, MAP	15	3306-252	1	Rail, Fuel
7	0832-088	1	● Seal	16	3306-250	1	Clamp
8	0824-054	1	● Valve, Bypass - Idle Air	17	3306-275	1	Cable, Throttle
9	3305-953	3	● Screw, Machine				



CYLINDER ASSEMBLY

0745-155

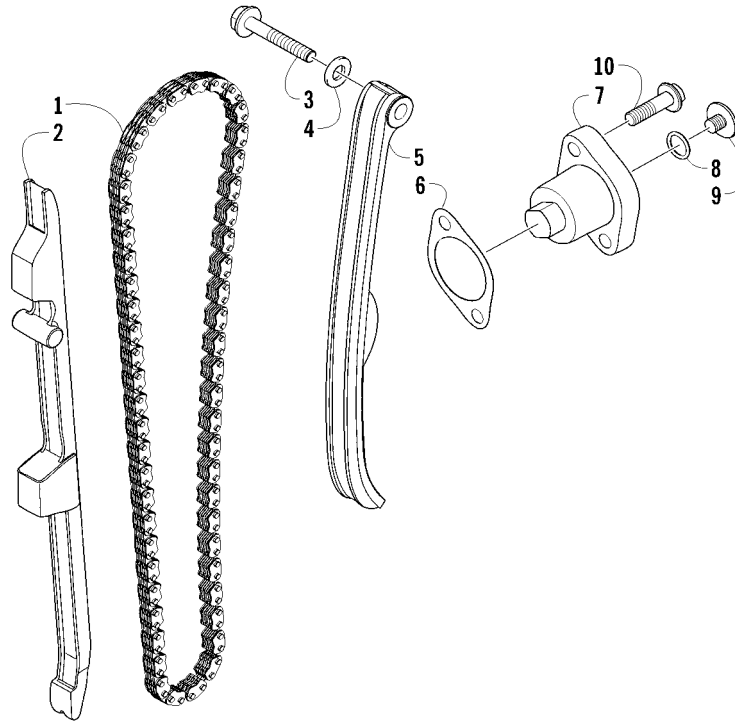
Ref	Part No.	New	Qty	Description	Ref	Part No.	New	Qty	Description
1	0830-203		1	Gasket, Cylinder Head	3	0804-056		1	Cylinder
2	0829-046		4	Pin, Dowel	4	0830-204		1	Gasket, Cylinder



CYLINDER HEAD AND CAMSHAFT/VALVE ASSEMBLY

0745-778

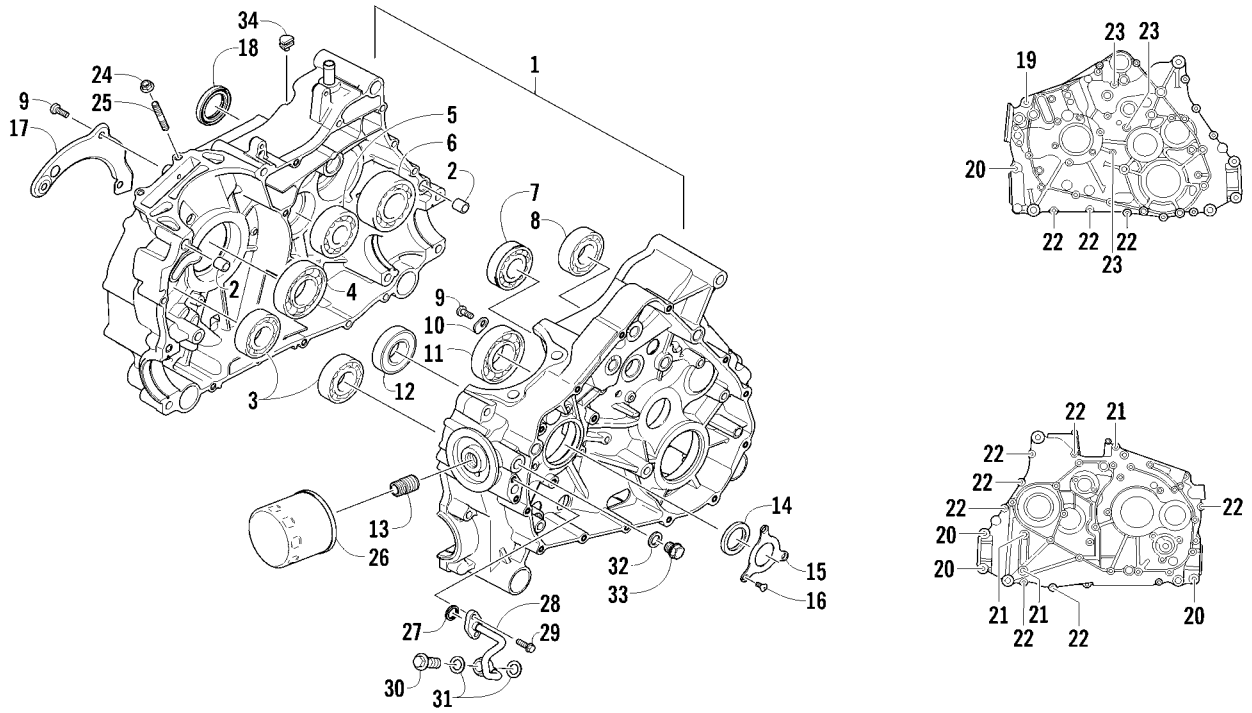
Ref	Part No.	New Qty	Description	Ref	Part No.	New Qty	Description
1	0808-205	1	Head, Cylinder (inc. 2-17)	23	0830-202	1	● O-Ring
2	3303-341	2	● Pin, Dowel	24	3304-189	2	Screw, Cap
3	0831-053	2	● Plug, Shaft	25	0830-200	1	Gasket
4	0830-143	2	● Gasket	26	3306-246	1	Fitting, Coolant - Assembly
5	0809-254	1	● Arm, Valve Rocker - Intake (inc. 6-7)	27	0808-196	1	Sensor, Engine Coolant Temperature
6	3304-026	4	●● Nut	28	3303-617	2	Screw, Cap
7	3304-007	4	●●● Screw, Adjuster	29	0217-708	1	Spark Plug - CR7E
8	0809-256	2	● Shaft, Rocker Arm	30	0826-154	2	Screw, Cap
9	0809-252	1	● Arm, Valve Rocker - Exhaust (inc. 6-7)	31	0828-086	1	Plate, Retainer
10	3303-044	8	● Cotter, Valve	32	0809-259	1	Sprocket
11	0809-142	4	● Retainer, Spring	33	3306-247	1	Camshaft (inc. 34)
12	0809-257	4	● Spring, Valve	34	0829-036	1	● Pin, Alignment
13	0809-190	4	● Seal, Oil	35	0809-165	1	C-Ring
14	0809-141	4	● Seat, Spring	36	3306-787	1	Plug, Head
15	0809-266	2	● Valve, Exhaust	37	0830-139	2	O-Ring
16	0809-263	2	● Valve, Intake	38	3303-383	4	Screw, Cap
17	3304-904	4	● Screw, Cap	39	0808-111	2	Cap, Inspection
18	0830-155	4	Gasket	40	0826-062	4	Screw, Cap
19	3304-918	2	Screw, Cap	41	0828-044	4	Washer
20	0826-136	2	Screw, Cap	42	0827-064	2	Bolt, Stud
21	3303-384	2	Screw, Cap	43	3303-332	2	Nut
22	3306-249	1	Manifold, Intake (inc. 23)	44	0827-065	2	Bolt, Stud



CAM CHAIN ASSEMBLY

0745-157

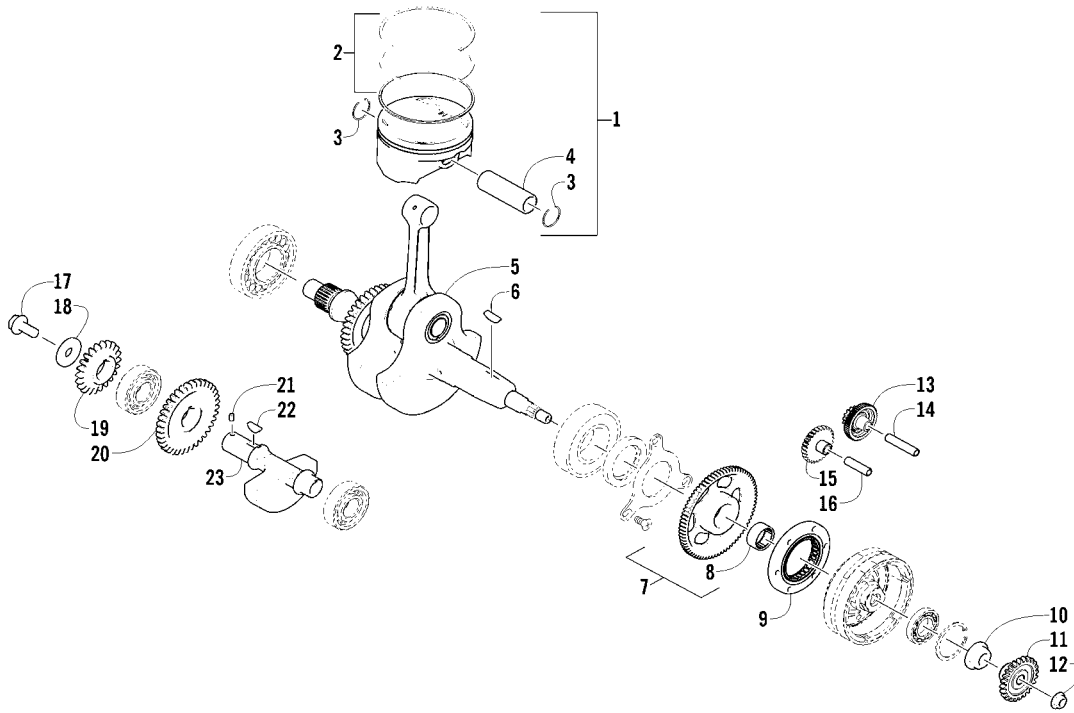
Ref	Part No.	New Qty	Description	Ref	Part No.	New Qty	Description
1	0810-005	1	Chain, Cam	6	3303-035	1	Gasket
2	0810-068	1	Guide, Chain	7	3303-677	1	Adjuster, Tensioner - Assembly
3	0826-133	1	Pivot, Tensioner	8	3304-100	1	O-Ring
4	0830-150	1	Washer	9	3304-006	1	Screw, Adjuster
5	0810-007	1	Tensioner, Chain	10	3303-360	2	Screw, Cap



CRANKCASE ASSEMBLY

0745-866

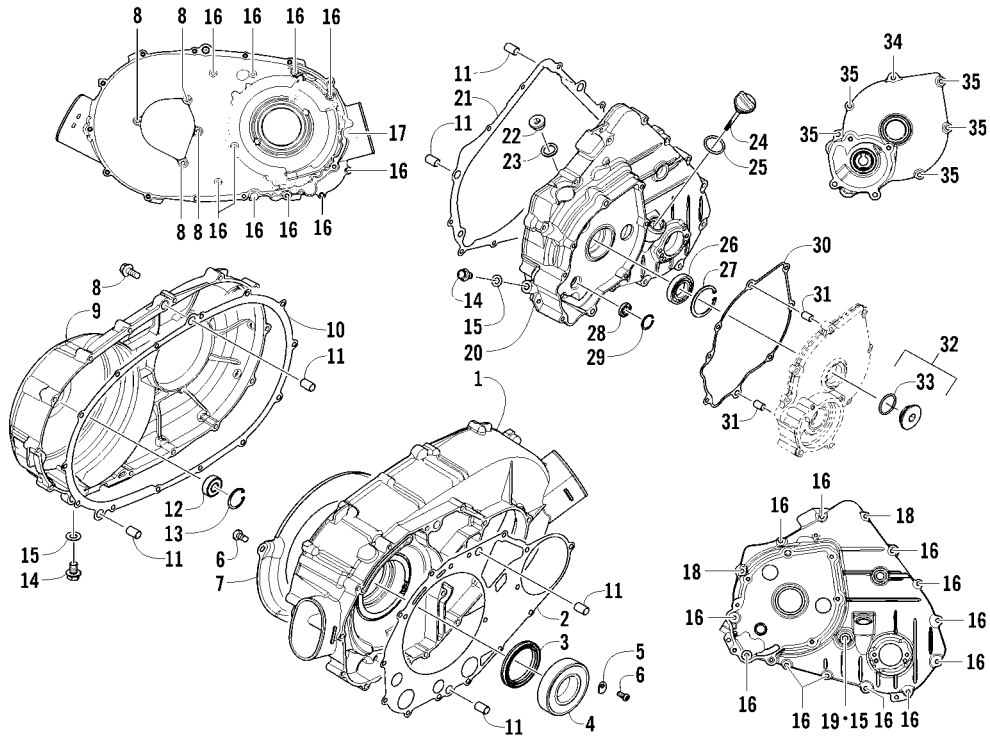
Ref	Part No.	New Qty	Description	Ref	Part No.	New Qty	Description
1	0801-191	1	Crankcase - Assembly (inc. 2-21)	18	0830-066	1	● Seal
2	0829-050	2	● Pin, Dowel	19	3303-372	1	● Screw, Cap
3	3313-745	2	● Bearing	20	0826-126	4	● Screw, Cap
4	0832-087	1	● Bearing	21	0826-064	3	● Screw, Cap
5	3304-198	1	● Bearing	22	3303-387	10	Screw, Cap
6	0832-074	1	● Bearing	23	0826-065	3	Screw, Cap
7	3304-195	1	● Bearing	24	3304-654	2	Nut, Lock
8	3304-699	1	● Bearing	25	3313-721	2	Bolt, Stud
9	0826-144	5	● Screw, Machine	26	0812-034	1	Filter, Oil
10	0822-104	2	● Retainer, Bearing	27	0830-172	1	O-Ring
11	0832-019	1	● Bearing	28	0812-086	1	Oilline
12	0832-020	1	● Bearing	29	3303-617	2	Screw, Cap
13	0812-066	1	● Union, Oil Filter	30	0812-084	1	Bolt, Banjo-Fitting
14	0830-058	1	● Seal	31	0812-085	2	Washer
15	0805-018	1	● Retainer	32	0830-143	1	Gasket
16	0826-145	3	● Screw, Machine	33	0835-004	1	Plug, Oil Pressure
17	0801-018	1	● Plate, Oil Guide - Right	34	3313-744	1	Grommet



CRANKSHAFT, BALANCER, STARTER GEAR, AND PISTON ASSEMBLIES

0745-160

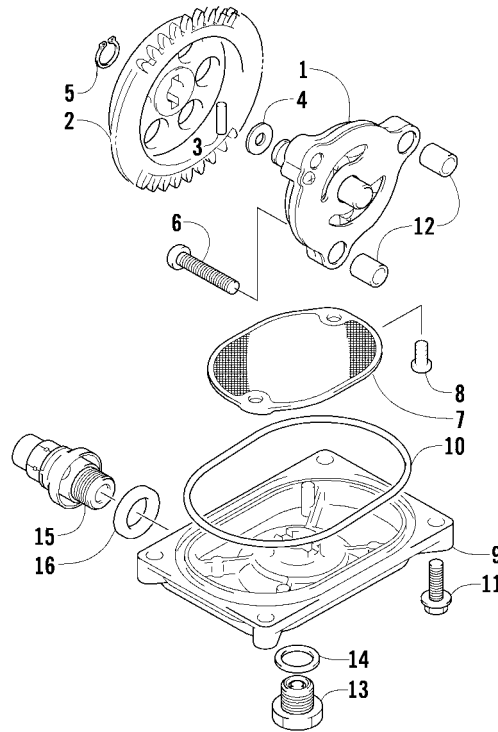
Ref	Part No.	New Qty	Description	Ref	Part No.	New Qty	Description
1	0805-333	1	Piston Set (inc. 2-4)	13	0815-031	1	Gear, Starter Idler - No. 1
2	0805-320	1	● Ring, Piston - Set	14	0815-007	1	Pin, Starter Idler Gear No. 1
3	0831-060	2	● Circlip	15	0815-022	1	Gear, Starter Idler - No. 2
4	0805-023	1	● Pin, Piston	16	0815-015	1	Pin, Starter Idler Gear No. 2
5	0805-013	1	Crankshaft Assembly	17	0826-118	1	Screw, Cap
6	0829-039	1	Key	18	0828-091	1	Washer
7	0815-023	1	Gear, Starter Clutch (inc. 8)	19	0811-009	1	Gear, Oil Pump Drive
8	0832-069	1	● Bearing	20	0811-006	1	Gear, Driven
9	0802-044	1	Clutch, One-Way	21	3304-144	1	Pin, Alignment
10	3306-705	1	Nut	22	0829-037	1	Key
11	0811-036	1	Gear, Drive	23	0811-035	1	Balancer, Crank
12	3303-333	1	Nut				



CLUTCH/DRIVE BELT/MAGNETO COVER ASSEMBLY

0745-196

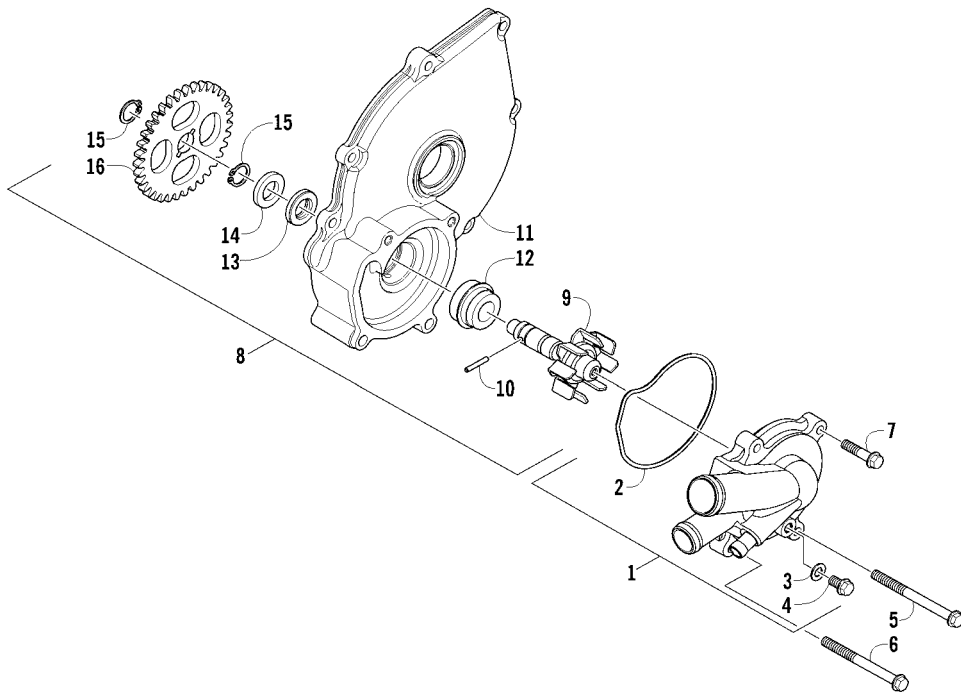
Ref	Part No.	New Qty	Description	Ref	Part No.	New Qty	Description
1	0806-026	1	Cover, Clutch	19	0826-068	1	Screw, Cap
2	0830-055	1	Gasket	20	0806-122	1	Cover, Magneto
3	0830-157	1	Seal	21	0830-057	1	Gasket
4	0832-071	1	Bearing	22	0806-099	1	Plug
5	0822-104	2	Retainer, Bearing	23	0830-141	1	Washer, Crush
6	0826-144	5	Screw, Machine	24	0806-029	1	Stick, Oil Level (inc. 25)
7	0806-103	1	Plate, Air Intake	25	3304-102	1	● O-Ring, Oil Level Stick
8	3303-386	18	Screw, Cap	26	0832-053	1	Bearing
9	0806-027	1	Cover, Drive Belt	27	3305-943	1	Ring, Retaining
10	0830-056	1	Gasket	28	3305-944	1	Bearing
11	0829-046	6	Pin, Dowel	29	3305-942	1	Ring, Retaining
12	0832-023	1	Bearing	30	0830-206	1	Gasket
13	3303-347	1	Circlip	31	3301-716	2	Pin, Dowel
14	3303-365	2	Plug, Drain	32	0812-087	1	Cap, Inspection (inc. 33)
15	3303-591	3	Gasket, Drain Plug	33	0835-016	1	● O-Ring
16	3304-903	22	Screw, Cap	34	0826-136	1	Screw, Cap
17	0826-066	1	Screw, Cap	35	3303-383	5	Screw, Cap
18	3304-191	2	Screw, Cap				



OIL PUMP AND STRAINER ASSEMBLY

0743-030

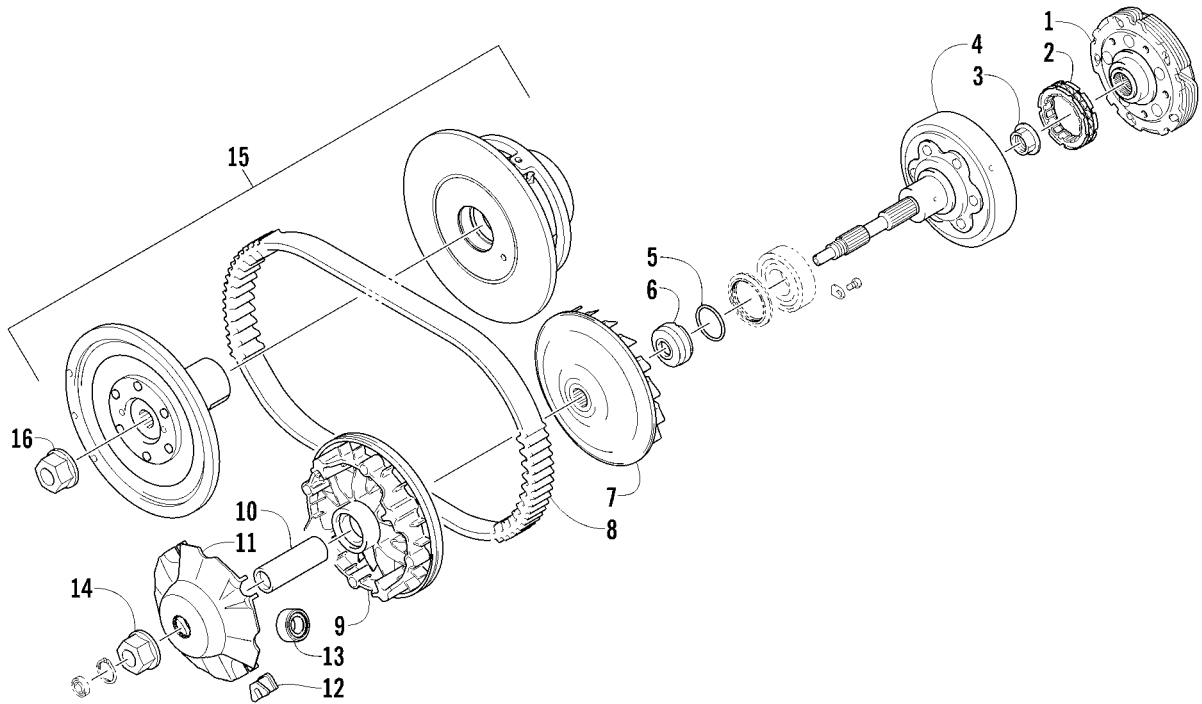
Ref	Part No.	New Qty	Description	Ref	Part No.	New Qty	Description
1	0812-069	1	Pump, Oil	9	0812-038	1	Cap, Oil Strainer
2	0812-010	1	Gear, Driven	10	0830-159	1	O-Ring
3	0812-036	1	Pin, Dowel	11	3303-384	4	Screw, Cap
4	0828-007	1	Washer	12	0829-033	2	Pin, Dowel
5	3304-146	1	Ring, Retaining	13	0812-065	1	Plug, Drain
6	0826-131	3	Screw, Machine	14	0830-143	1	Gasket
7	0812-049	1	Strainer, Oil	15	0812-067	1	Valve, Oil-Relief - Assembly (inc. 16)
8	3313-722	2	Screw, Cap	16	0830-181	1	● O-Ring



WATER PUMP ASSEMBLY

0745-190

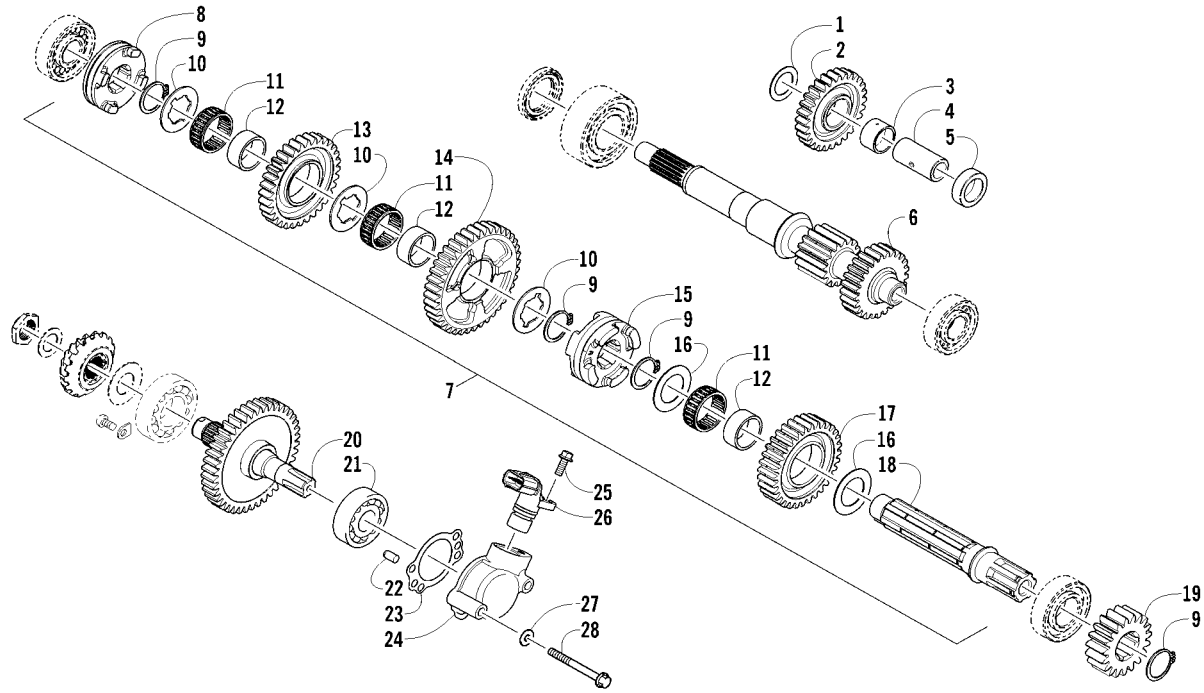
Ref	Part No.	New Qty	Description	Ref	Part No.	New Qty	Description
1	0813-054	1	Cover, Water Pump - Assembly (inc. 2-4)	9	0813-057	1	● Shaft, Impeller - Assembly
2	0830-208	1	● O-Ring	10	0829-057	1	● Pin, Alignment
3	3304-049	1	● Washer	11	0806-123	1	● Housing, Water Pump
4	3304-186	1	● Screw, Cap	12	3305-940	1	● Seal, Mechanical
5	0826-065	1	Screw, Cap	13	0830-207	1	● Seal, Oil
6	0826-151	1	Screw, Cap	14	0828-130	1	● Washer, Thrust
7	3303-384	2	Screw, Cap	15	0831-089	2	● Circlip
8	0813-051	1	Housing, Water Pump - Assembly (inc. 9-16)	16	0811-037	1	● Gear, Driven



CLUTCH AND DRIVE BELT ASSEMBLY

0745-229

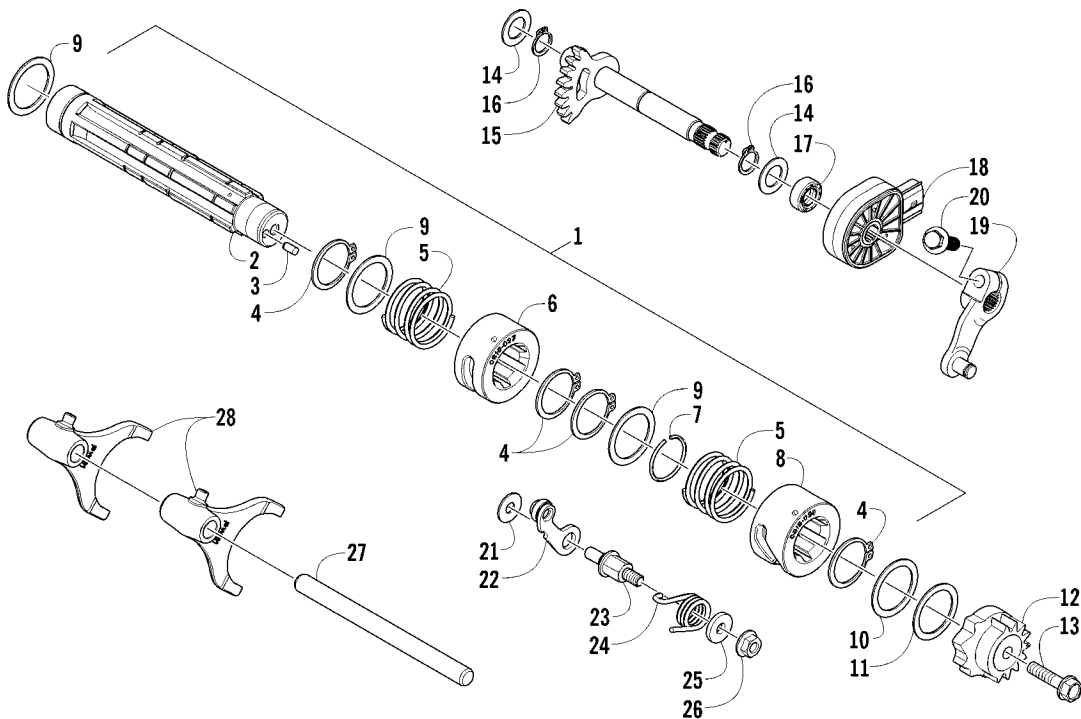
Ref	Part No.	New Qty	Description	Ref	Part No.	New Qty	Description
1	0823-328	1	Shoe, Clutch - Assembly	9	0823-324	1	Face, Movable Drive
2	0823-198	1	Clutch, One-Way	10	0823-206	1	Spacer, Movable Drive Face
3	0827-050	1	Nut	11	0823-213	1	Plate, Movable Drive Face
4	0823-338	1	Housing, Clutch	12	0823-214	4	Damper, Movable Drive Face
5	0830-187	1	O-Ring	13	0823-351	8	Roller, Movable Drive Face
6	0823-058	1	Spacer	14	3323-165	1	Nut
7	0823-313	1	Face, Fixed Drive	15	0823-350	1	Clutch, Driven - Assembly
8	0823-228	1	Belt, Drive	16	0827-058	1	Nut



SECONDARY TRANSMISSION ASSEMBLY

0745-182

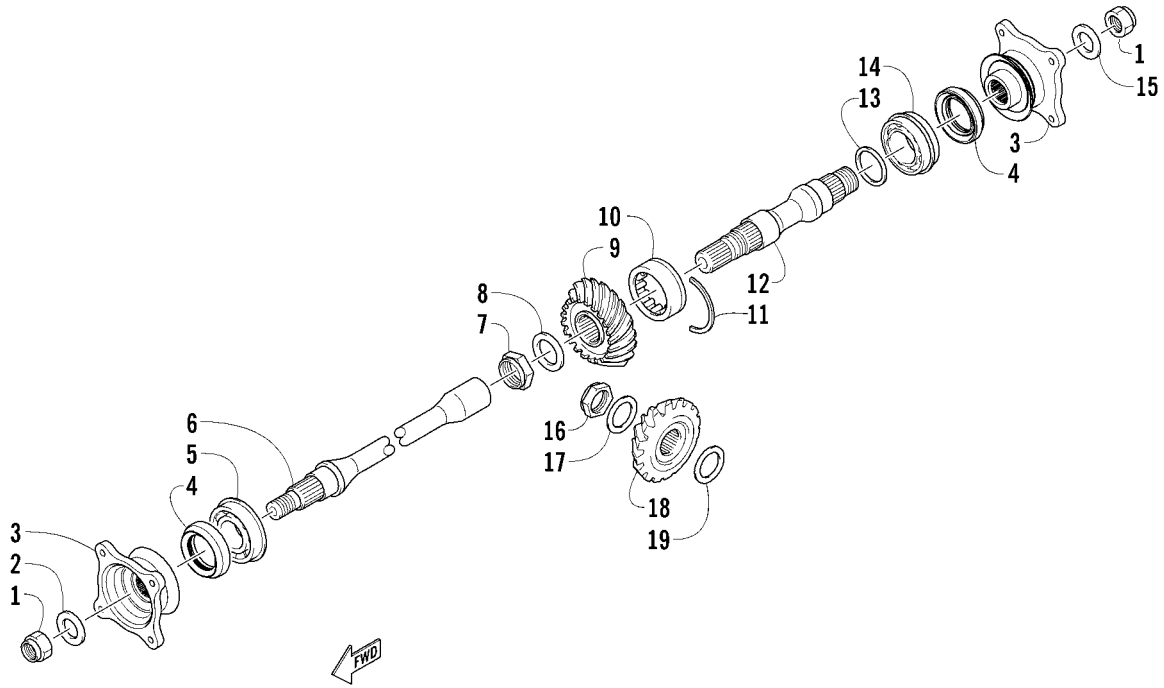
Ref	Part No.	New Qty	Description	Ref	Part No.	New Qty	Description
1	0828-081	1	Washer	15	0822-027	1	● Gear Select, Sliding
2	0822-061	1	Gear, Reverse Idle	16	3304-044	2	● Washer, Thrust
3	0822-065	1	Bushing	17	0818-119	1	● Gear, Driven - High
4	0822-064	1	Shaft, Reverse Idle	18	0822-025	1	● Countershaft
5	0822-029	1	Spacer	19	0822-028	1	Gear, Drive
6	0822-128	1	Driveshaft	20	0822-023	1	Shaft, Output
7	0822-129	1	Countershaft Assembly (inc. 8-18)	21	3304-198	1	Bearing
8	0822-033	1	● Gear Select, Reverse	22	3303-395	2	Pin, Dowel
9	3304-147	4	● Circlip	23	0830-156	1	Gasket, Housing
10	3304-045	3	● Washer	24	0822-105	1	Housing, Speedometer Sensor
11	0832-038	3	● Bearing	25	3303-382	1	Screw, Cap
12	0822-062	3	● Bushing	26	3313-172	1	Sensor, Speedometer
13	0822-032	1	● Gear, Reverse Driven	27	0830-155	2	Gasket
14	0822-063	1	● Gear, Driven - Low	28	3303-387	2	Screw, Cap



GEAR SHIFTING ASSEMBLY

0745-857

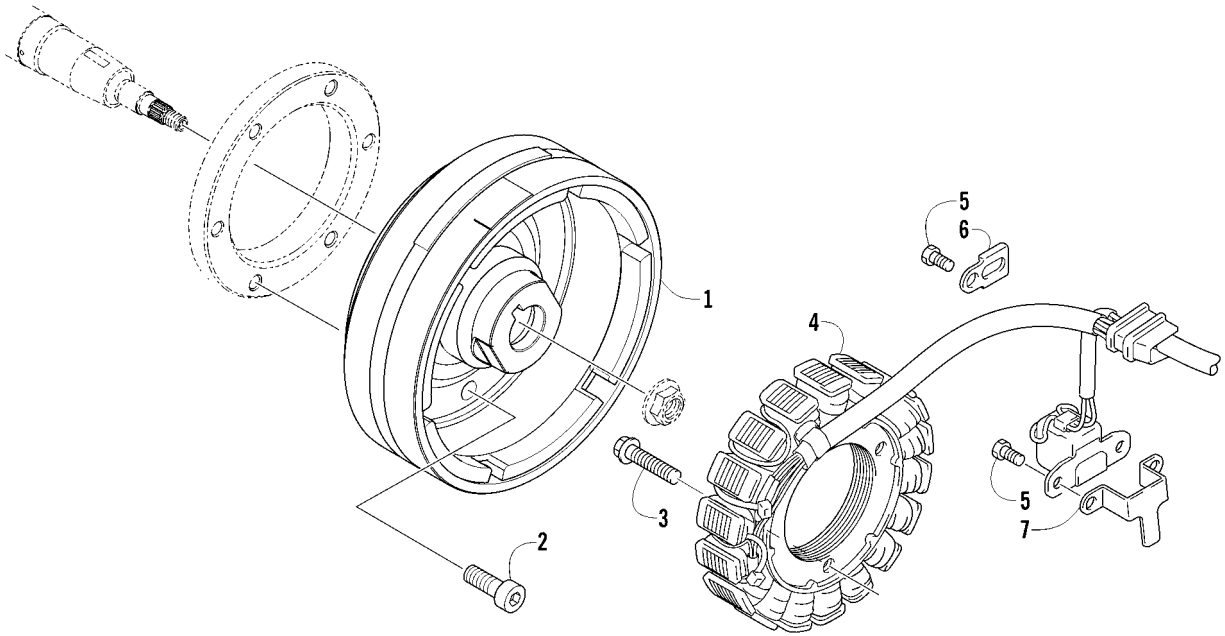
Ref	Part No.	New Qty	Description	Ref	Part No.	New Qty	Description
1	0818-126	1	Shaft, Gear Shift - Assembly (inc. 2-8 and two No. 9)	15	0818-113	1	Shaft, Sub-Gear Shift (inc. 16)
2	0818-125	1	● Shaft, Gear Shift	16	0831-056	2	● Ring, Retaining
3	3304-439	1	● Pin, Dowel	17	0830-179	1	Seal
4	3304-147	4	● Circlip	18	3306-259	1	Switch, Gear Position
5	0818-060	2	● Spring	19	3306-316	1	Arm, Select
6	0818-117	1	● Cam, Reverse	20	3304-551	1	Screw, Cap
7	0831-016	1	● C-Ring	21	0828-083	1	Washer
8	0818-116	1	● Cam, Gear Shift	22	0818-084	1	Stopper, Cam
9	0828-079	3	● Washer	23	0818-062	1	Support, Cam Stopper
10	0828-081	1	Washer, Thrust	24	0818-109	1	Spring
11	0828-080	1	Washer, Thrust	25	0828-082	1	Washer
12	0818-061	1	Plate, Gear Shift Cam	26	3304-654	1	Nut, Lock
13	3304-569	1	Screw, Cap	27	0818-021	1	Shaft, Shift Fork
14	0828-084	2	Washer	28	0818-088	2	Fork, Shift



SECONDARY DRIVE ASSEMBLY

0745-779

Ref	Part No.	New Qty	Description	Ref	Part No.	New Qty	Description
1	3306-428	2	Nut	14	0832-041	1	Bearing
2	3304-958	1	Washer	15	3306-226	1	Washer
3	0819-022	2	Flange, Output Joint	16	0827-047	1	Nut
4	0830-144	2	Seal, Oil	17	3304-042	1	Washer, Thrust
5	0832-026	1	Bearing	18	0819-018	1	Gear, Secondary Drive
6	0819-020	1	Shaft, Secondary Driven	19	3306-009	AR	Shim, 30 x 48 x 0.60 mm
7	0827-022	1	Nut		3306-010	AR	Shim, 30 x 48 x 0.65 mm
8	0828-090	1	Washer		3306-011	AR	Shim, 30 x 48 x 0.70 mm
9	0819-019	1	Gear, Secondary Driven		3306-012	AR	Shim, 30 x 48 x 0.75 mm
10	0832-040	1	Bearing		3306-013	AR	Shim, 30 x 48 x 0.80 mm
11	0819-070	1	C-Ring		3306-014	AR	Shim, 30 x 48 x 0.85 mm
12	0819-021	1	Shaft, Secondary Driven		3306-015	AR	Shim, 30 x 48 x 0.90 mm
13	3305-955	AR	Shim, 25 x 34 x 0.60mm		3306-016	AR	Shim, 30 x 48 x 0.95 mm
	3305-956	AR	Shim, 25 x 34 x 0.65mm		3306-017	AR	Shim, 30 x 48 x 1.00 mm
	3305-957	AR	Shim, 25 x 34 x 0.70mm		3306-018	AR	Shim, 30 x 48 x 1.05 mm
	3305-958	AR	Shim, 25 x 34 x 0.75mm		3306-019	AR	Shim, 30 x 48 x 1.10 mm
	3305-959	AR	Shim, 25 x 34 x 0.80mm		3306-020	AR	Shim, 30 x 48 x 1.15 mm
	3305-960	AR	Shim, 25 x 34 x 0.85mm		3306-021	AR	Shim, 30 x 48 x 1.20 mm
	3305-961	AR	Shim, 25 x 34 x 0.90mm		3306-022	AR	Shim, 30 x 48 x 1.25 mm
	3305-962	AR	Shim, 25 x 34 x 0.95mm				
	3305-963	AR	Shim, 25 x 34 x 1.00mm				
	3305-964	AR	Shim, 25 x 34 x 1.05mm				
	3305-965	AR	Shim, 25 x 34 x 1.10mm				
	0828-088	AR	Shim, 25 x 34 x 1.15mm				
	3305-966	AR	Shim, 25 x 34 x 1.20mm				
	3305-967	AR	Shim, 25 x 34 x 1.25mm				



MAGNETO ASSEMBLY

0745-201

Ref	Part No.	New Qty	Description	Ref	Part No.	New Qty	Description
1	0802-057	1	Rotor/Flywheel	5	3303-308	3	Screw, Cap
2	0826-120	6	Screw, Cap	6	0802-003	1	Clamp, Routing
3	3305-945	3	Screw, Cap	7	0802-004	1	Clamp, Routing
4	3323-200	1	Stator Assembly				

