

ARCTIC CAT[®]

2006

DVX 250



Model Number A2006KSE2BEUR (Red) - International
Model Number A2006KSE2BEUD (Black-Red) - International
Model Number A2006KSE2BEUE (Black-Cat Green) - International

Illustrated Parts Manual

TABLE OF CONTENTS

2006 ATV DVX 250

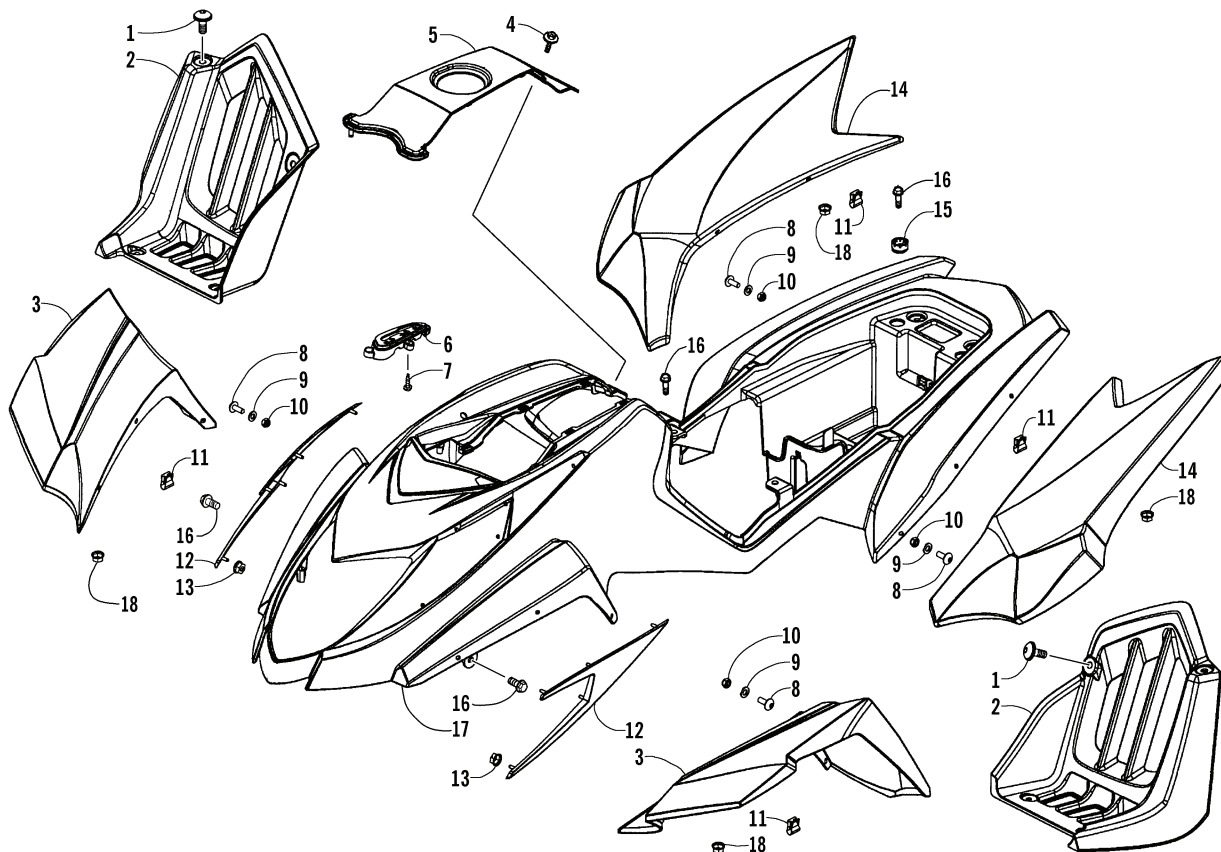
Red (Model No. A2006KSE2BEUR) - International

Black-Red (Model No. A2006KSE2BEUD) - International

Black-Cat Green (Model No. A2006KSE2BEUE) - International

BODY PANEL ASSEMBLY	1
DECALS	2
FRAME AND RELATED PARTS ASSEMBLY	3
HANDLEBAR AND CONTROLS ASSEMBLY	4
PILOT LAMP ASSEMBLY	5
STEERING POST ASSEMBLY	6
FRONT BRAKE HOSE AND HAND BRAKE ASSEMBLY	7
REAR BRAKE HOSE, HAND BRAKE, AND FOOT BRAKE ASSEMBLY	8
SHIFT LEVER ASSEMBLY	9
FRONT WHEELS AND BRAKE ASSEMBLY	10
REAR WHEELS AND BRAKE ASSEMBLY	11
REAR AXLE ASSEMBLY	12
FRONT SUSPENSION ASSEMBLY	13
REAR SUSPENSION ASSEMBLY	14
ELECTRICAL AND WIRING HARNESS ASSEMBLY	15
BATTERY ASSEMBLY	16
HEADLIGHT ASSEMBLY	17
TAILLIGHT AND TURN SIGNAL ASSEMBLIES	18
SEAT AND TOOL KIT ASSEMBLY	19
AIR INTAKE ASSEMBLY	20
EXHAUST ASSEMBLY	21
COOLING ASSEMBLY	22
GAS TANK ASSEMBLY	23
CARBURETOR ASSEMBLY	24
CYLINDER HEAD ASSEMBLY	25
PISTON AND CRANKSHAFT ASSEMBLY	26
CRANKCASE COVER ASSEMBLY	27
CRANKCASE ASSEMBLY	28
TRANSMISSION CASE ASSEMBLY	29
TRANSMISSION ASSEMBLY	30
CLUTCH ASSEMBLY	31
STARTER MOTOR AND MAGNETO ASSEMBLY	32

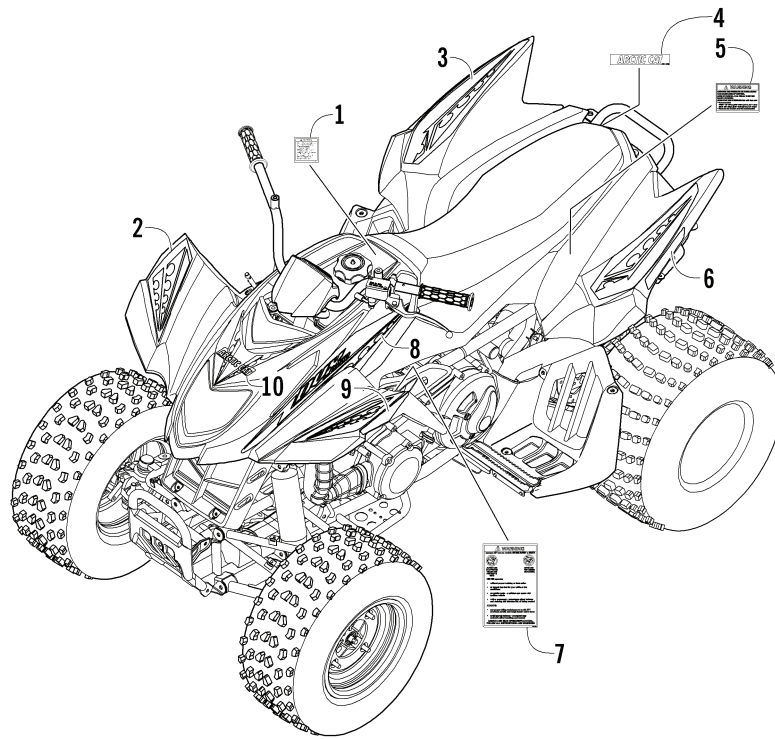
■ **NOTE:** The illustrations used in this Parts Manual are for reference to replacement part numbers only and are not to be used for assembly. For assembly procedures, use an Arctic Cat Service Manual. Underlined part numbers are new for the 2006 model year. For a complete list of related items, refer to the current accessory catalog.



BODY PANEL ASSEMBLY

0740-825

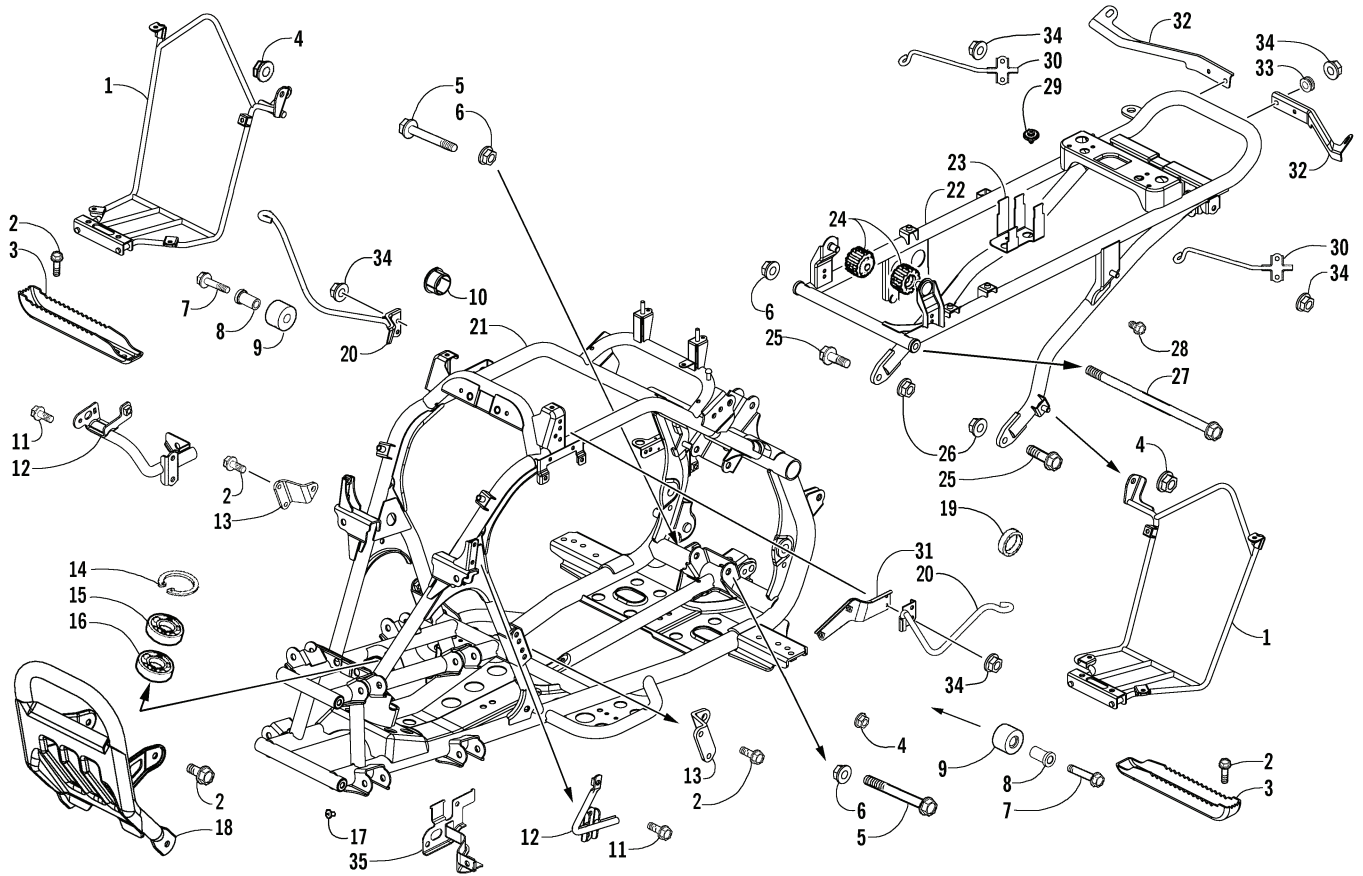
Ref.	Part No.	Qty.	Description	Ref.	Part No.	Qty.	Description
1	<u>3304-404</u>	8	Bolt	13	<u>3304-418</u>	10	Nut
2	<u>3304-395</u>	1	Mud Guard, Floor - Right	14	<u>3304-393</u>	1	Fender, Rear - Right - Red
	<u>3304-396</u>	1	Mud Guard, Floor - Left		<u>3304-397</u>	1	Fender, Rear - Left - Red
3	<u>3304-387</u>	1	Fender, Front - Right - Red		<u>3304-394</u>	1	Fender, Rear - Right - Cat Green (Black-Cat Green)
	<u>3304-389</u>	1	Fender, Front - Left - Red		<u>3304-398</u>	1	Fender, Rear - Left - Cat Green (Black-Cat Green)
	<u>3304-388</u>	1	Fender, Front - Right - Cat Green (Black-Cat Green)	15	<u>3303-232</u>	2	Rubber, Rear Fender
	<u>3304-390</u>	1	Fender, Front - Left - Cat Green (Black-Cat Green)	16	<u>3304-587</u>	7	Bolt w/Washer
4	<u>3304-029</u>	2	Bolt w/Washer	17	<u>3304-379</u>	1	Body, Main - Red
5	<u>3304-247</u>	1	Cover, Gas Tank - Red		<u>3304-380</u>	1	Body, Main - Black (Black-Red) (Black-Cat Green)
	<u>3304-248</u>	1	Cover, Gas Tank - Black (Black-Red) (Black-Cat Green)	18	<u>3304-417</u>	4	Nut
6	<u>3304-381</u>	1	Guide, Shift Handle				
7	<u>3304-650</u>	3	Screw, Self-Tapping				
8	<u>3304-406</u>	12	Bolt				
9	<u>3304-432</u>	12	Washer				
10	<u>3304-431</u>	12	Nut, Lock				
11	<u>3304-683</u>	4	Clip, Fender				
12	<u>3304-383</u>	1	Panel, Trim - Right - Black				
	<u>3304-517</u>	1	Panel, Trim - Left - Black				
	<u>3304-382</u>	1	Panel, Trim - Right - Red (Black-Red)				
	<u>3304-385</u>	1	Panel, Trim - Left - Red (Black-Red)				
	<u>3304-384</u>	1	Panel, Trim - Right - Cat Green (Black-Cat Green)				
	<u>3304-386</u>	1	Panel, Trim - Left - Cat Green (Black-Cat Green)				



DECALS

0742-335

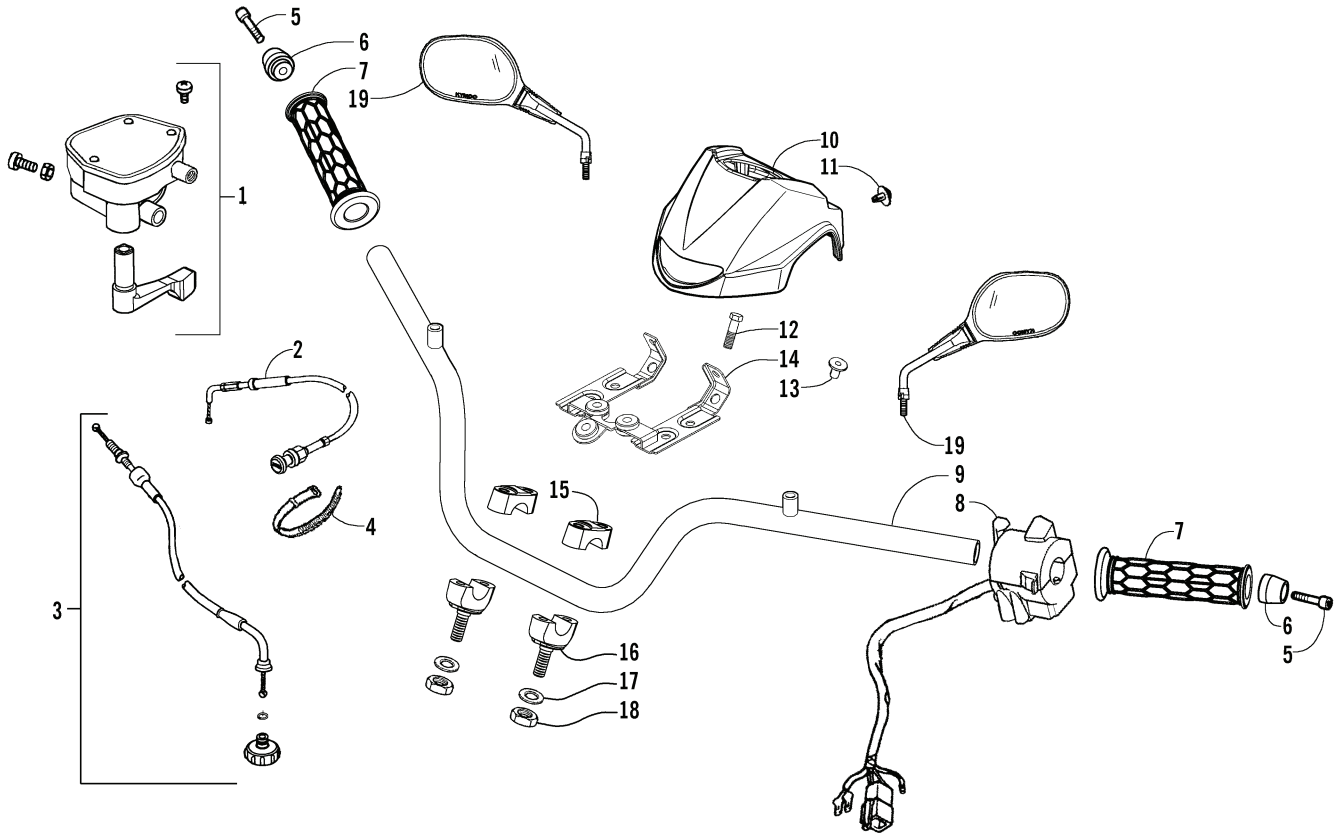
Ref.	Part No.	Qty.	Description	Ref.	Part No.	Qty.	Description
1	<u>1411-109</u>	1	Decal, Warning - Reverse	6	<u>0411-746</u>	1	Decal, Reflector - Rear - Right
2	<u>0411-996</u>	1	Decal, Fender - Front - Right		<u>0411-747</u>	1	Decal, Reflector - Rear - Left
	<u>0411-997</u>	1	Decal, Fender - Front - Left	7	<u>1411-761</u>	1	Decal, Warning - General
	<u>1411-006</u>	1	Decal, Fender - Front - Right (Black-Cat Green)	8	<u>1411-094</u>	1	Decal, Side - Right
	<u>1411-007</u>	1	Decal, Fender - Front - Left (Black-Cat Green)		<u>1411-095</u>	1	Decal, Side - Left
3	<u>0411-994</u>	1	Decal, Fender - Rear - Right		<u>1411-098</u>	1	Decal, Side - Right (Black-Red)
	<u>0411-995</u>	1	Decal, Fender - Rear - Left		<u>1411-099</u>	1	Decal, Side - Left (Black-Red)
	<u>1411-004</u>	1	Decal, Fender - Rear - Right (Black-Cat Green)		<u>1411-096</u>	1	Decal, Side - Right (Black-Cat Green)
	<u>1411-005</u>	1	Decal, Fender - Rear - Left (Black-Cat Green)	9	<u>0411-744</u>	1	Decal, Reflector - Front - Right
4	<u>0411-762</u>	1	Decal, "Arctic Cat" - White		<u>0411-745</u>	1	Decal, Reflector - Front - Left
5	<u>1411-760</u>	1	Decal, Warning - Passenger/Tire Pressure	10	<u>1411-226</u>	1	Decal, Crest
					<u>1411-227</u>	1	Decal, Crest (Black-Red)
					<u>1411-228</u>	1	Decal, Crest (Black-Cat Green)



FRAME AND RELATED PARTS ASSEMBLY

0742-339R

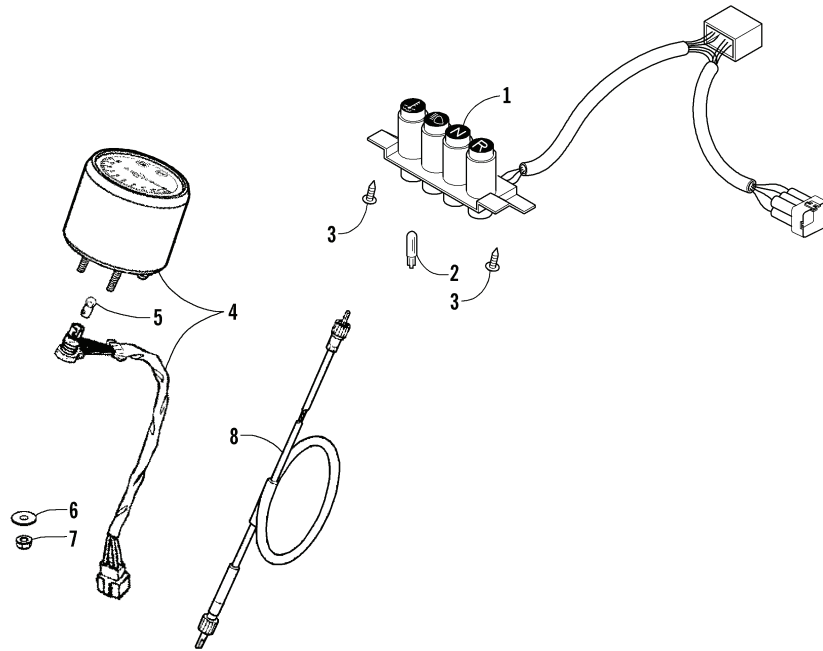
Ref.	Part No.	Qty.	Description	Ref.	Part No.	Qty.	Description
1	<u>3304-354</u>	1	Bracket, Mounting - Fender - Right	19	<u>3304-064</u>	1	Seal, Dust
	<u>3304-356</u>	1	Bracket, Mounting - Fender - Left	20	<u>3304-351</u>	1	Bracket, Mounting - Fender Support - Right
2	<u>3304-543</u>	12	Bolt, Flange		<u>3304-350</u>	1	Bracket, Mounting - Fender Support - Left
3	<u>3304-346</u>	2	Reinforcement, Floor	21	<u>3304-716</u>	1	Frame, Main
4	<u>3303-332</u>	3	Nut, Flange	22	<u>3304-729</u>	1	Frame, Main - Rear
5	<u>3304-183</u>	2	Screw, Cap	23	<u>3304-339</u>	1	Bracket, Mounting - Starter/Magneto Switch
6	<u>3304-031</u>	3	Nut	24	<u>3304-245</u>	2	Cushion, Gas Tank
7	<u>3304-408</u>	2	Bolt, Flange	25	<u>3304-181</u>	2	Bolt, Flange
8	<u>3304-701</u>	2	Sleeve, Collar	26	<u>3303-333</u>	2	Nut, Flange
9	<u>3304-362</u>	2	Grommet, Rubber	27	<u>3304-184</u>	1	Bolt, Flange
10	<u>3304-658</u>	2	Cap, End	28	<u>3304-435</u>	2	Bolt, Flange
11	<u>3304-553</u>	4	Screw, Cap	29	<u>3304-057</u>	1	Clip, Fender
12	<u>3304-726</u>	1	Bracket, Support - Fender - Front - Right	30	<u>3304-348</u>	1	Bracket, Support - Fender - Rear - Right
	<u>3304-809</u>	1	Bracket, Support - Fender - Front - Left		<u>3304-349</u>	1	Bracket, Support - Fender - Rear - Left
13	<u>3303-938</u>	2	Bracket, Hanger	31	<u>3304-728</u>	1	Bracket, Fuel Tank
14	<u>3304-150</u>	1	Circlip	32	<u>3304-725</u>	1	Bracket, Mounting - Fender - Rear - Right
15	<u>3304-203</u>	1	Bearing		<u>3304-812</u>	1	Bracket, Mounting - Fender - Rear - Left
16	<u>3303-298</u>	1	Seal, Oil	33	<u>3303-239</u>	4	Grommet, Rubber
17	<u>3303-226</u>	2	Collar, Fender - Front	34	<u>3304-654</u>	12	Nut, Flange
18	<u>3304-399</u>	1	Bumper, Front	35	<u>3304-722</u>	1	Bracket, Turn Signal Relay



HANDLEBAR AND CONTROLS ASSEMBLY

0742-340R

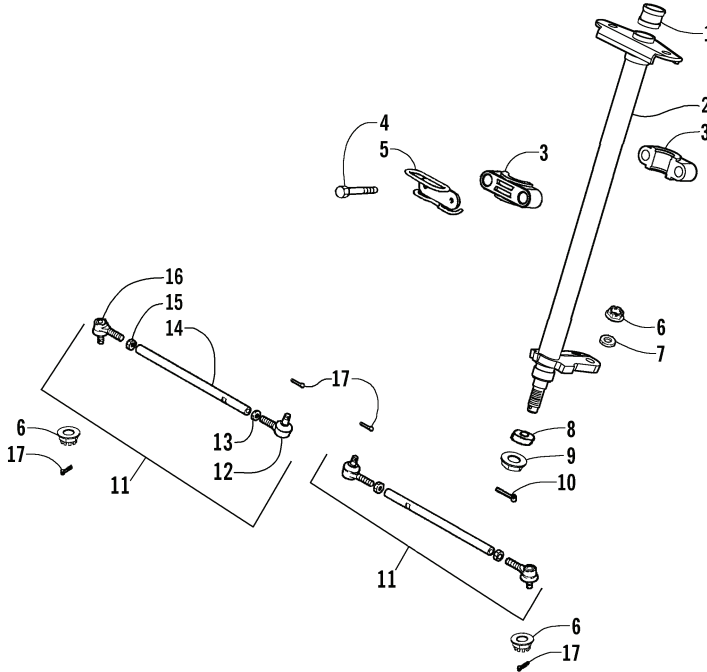
Ref.	Part No.	Qty.	Description	Ref.	Part No.	Qty.	Description
1	<u>3303-333</u>	1	Lever, Throttle - Assembly	11	<u>3303-332</u>	2	Clip, Midguard
2	<u>3304-745</u>	1	Cable, Choke	12	<u>3305-400</u>	4	Bolt
3	<u>1502-094</u>	1	Cable, Throttle - Kit	13	<u>3303-226</u>	2	Collar, Front Fender
4	<u>3303-839</u>	1	Cable Tie	14	<u>3304-727</u>	1	Bracket, Instrument Pod
5	<u>3304-016</u>	2	Bolt w/Washer	15	<u>3303-954</u>	2	Holder, Handlebar - Upper
6	<u>3303-952</u>	2	Cap, End - Handlebar	16	<u>3303-955</u>	2	Holder, Handlebar - Lower
7	<u>3303-203</u>	2	Grip, Handlebar	17	<u>3303-336</u>	2	Washer
8	<u>3304-736</u>	1	Switch Assembly	18	<u>3303-325</u>	2	Nut
9	<u>3304-723</u>	1	Handlebar	19	<u>3304-803</u>	1	Mirror, Right - Assembly
10	<u>3304-712</u>	1	Instrument Pod - Black		<u>3304-816</u>	1	Mirror, Left - Assembly



PILOT LAMP ASSEMBLY

0742-341R

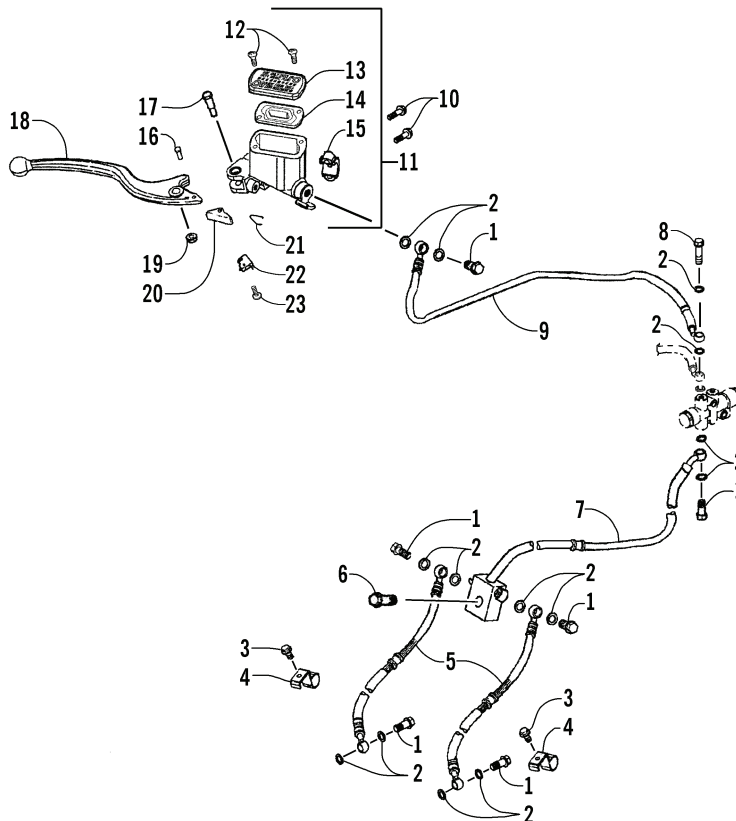
Ref.	Part No.	Qty.	Description	Ref.	Part No.	Qty.	Description
1	<u>3304-285</u>	1	Pilot Lamp - Assembly (inc. 2)	5	<u>3305-370</u>	1	● Bulb
2	<u>3304-284</u>	4	● Bulb	6	<u>3304-735</u>	2	Washer
3	<u>3304-650</u>	2	Screw, Self-Tapping	7	<u>3304-654</u>	2	Nut
4	<u>3304-733</u>	1	Speedometer (inc. 5)	8	<u>3303-906</u>	1	Cable, Speedometer



STEERING POST ASSEMBLY

0740-672

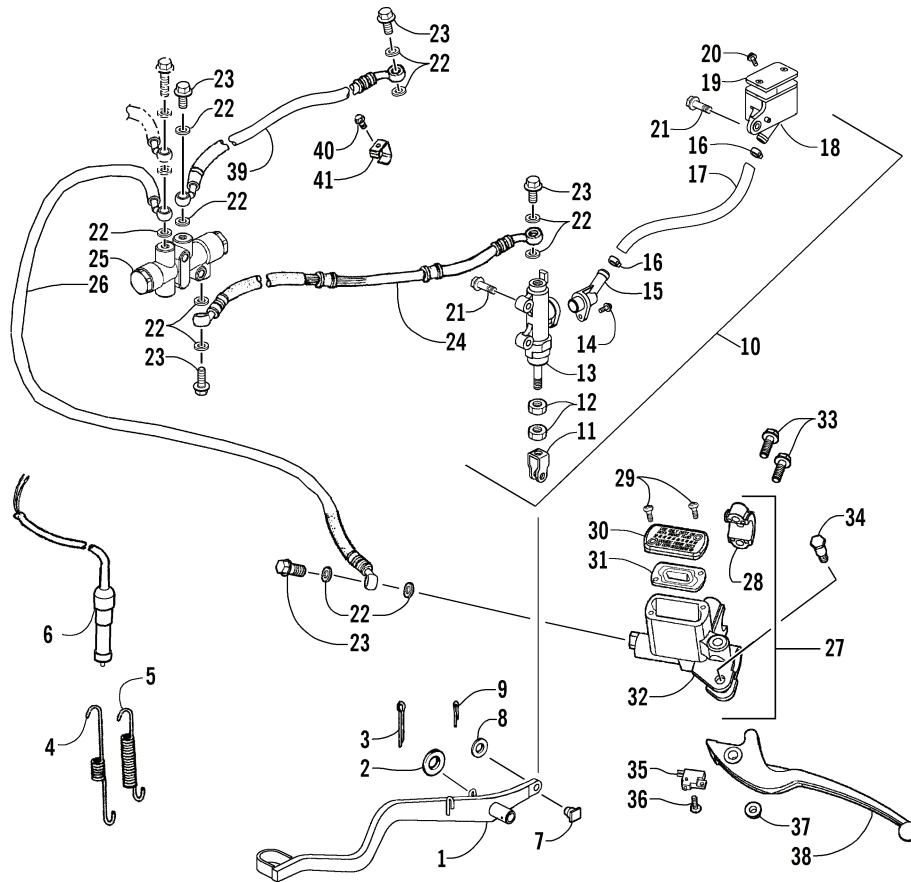
Ref.	Part No.	Qty.	Description	Ref.	Part No.	Qty.	Description
1	3303-963	1	Bushing, Sleeve	10	3303-339	1	Pin, Cotter
2	3303-957	1	Post, Steering	11	3303-969	2	Tie Rod - Assembly (inc. 12-16)
3	3303-961	2	Block, Mounting - Steering Post	12	3303-973	2	● Ball Joint, Tie Rod - Left
4	3304-649	2	Screw, Cap	13	3303-327	2	● Nut, Hex - Left
5	3303-962	1	Clamp, Mounting Block	14	3304-376	2	● Tube, Tie Rod
6	3304-130	4	Nut, Castle	15	3303-326	2	● Nut, Hex - Right
7	3304-136	2	Washer	16	3303-971	2	● Ball Joint, Tie Rod - Right
8	3303-960	1	Collar, Steering Post - Lower	17	3304-143	4	Pin, Cotter
9	3304-032	1	Nut, Flange				



FRONT BRAKE HOSE AND HAND BRAKE ASSEMBLY

0742-336R

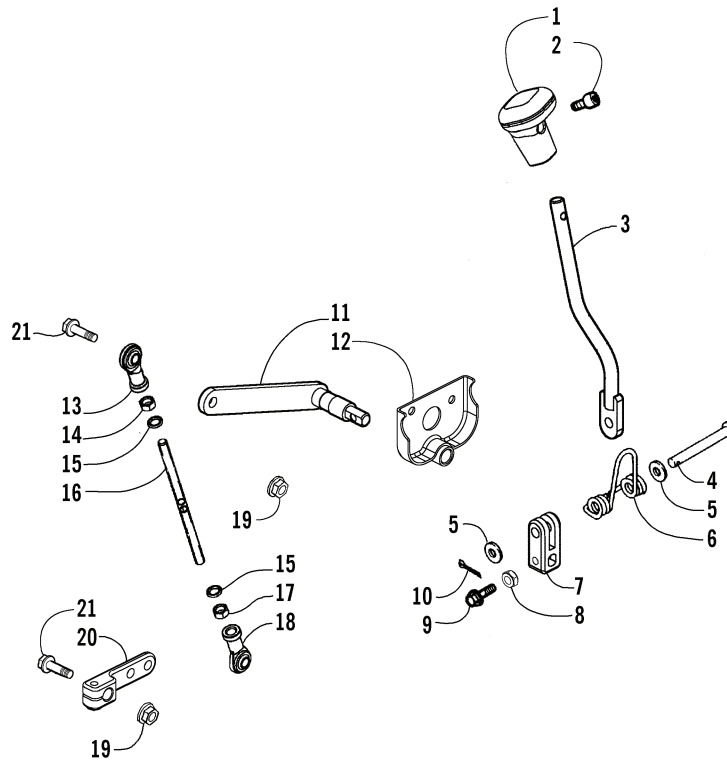
Ref.	Part No.	Qty.	Description	Ref.	Part No.	Qty.	Description
1	<u>3303-257</u>	6	Bolt, Banjo-Fitting	12	<u>3305-339</u>	2	● Screw, Flat-Head
2	<u>3303-284</u>	14	Washer, Crush	13	<u>3305-381</u>	1	● Cover, Master Cylinder
3	<u>3304-553</u>	2	Bolt, Flange	14	<u>3305-407</u>	1	● Diaphragm, Master Cylinder
4	<u>3303-919</u>	2	Clamp, Brake Hose - Front	15	<u>3303-175</u>	1	● Clamp, Master Cylinder
5	<u>3305-378</u>	1	Hose, Brake - Assembly - Front Right	16	<u>3305-384</u>	1	Screw, Hand Brake Lever
	<u>3303-916</u>	1	Hose, Brake - Assembly - Front Left	17	<u>3303-254</u>	1	Bolt, Hand Brake Lever
6	<u>3304-176</u>	1	Screw, Cap	18	<u>3305-386</u>	1	Lever, Hand Brake
7	<u>3305-379</u>	1	Hose, Brake w/Junction Block - Front	19	<u>3304-654</u>	1	Nut, Flange
8	<u>3304-674</u>	1	Bolt, Banjo-Fitting - Double	20	<u>3305-382</u>	1	Lock, Hand Brake Lever
9	<u>3304-741</u>	1	Hose, Brake - Assembly - Front	21	<u>3305-383</u>	1	Spring
10	<u>3304-189</u>	2	Screw, Cap	22	<u>3305-373</u>	1	Switch, Hand Brake
11	<u>3305-385</u>	1	Master Cylinder, Hand Brake - Assembly - Front (inc. 12-15)	23	<u>3304-427</u>	1	Screw



REAR BRAKE HOSE, HAND BRAKE, AND FOOT BRAKE ASSEMBLY

0742-321R *Not a Service Part

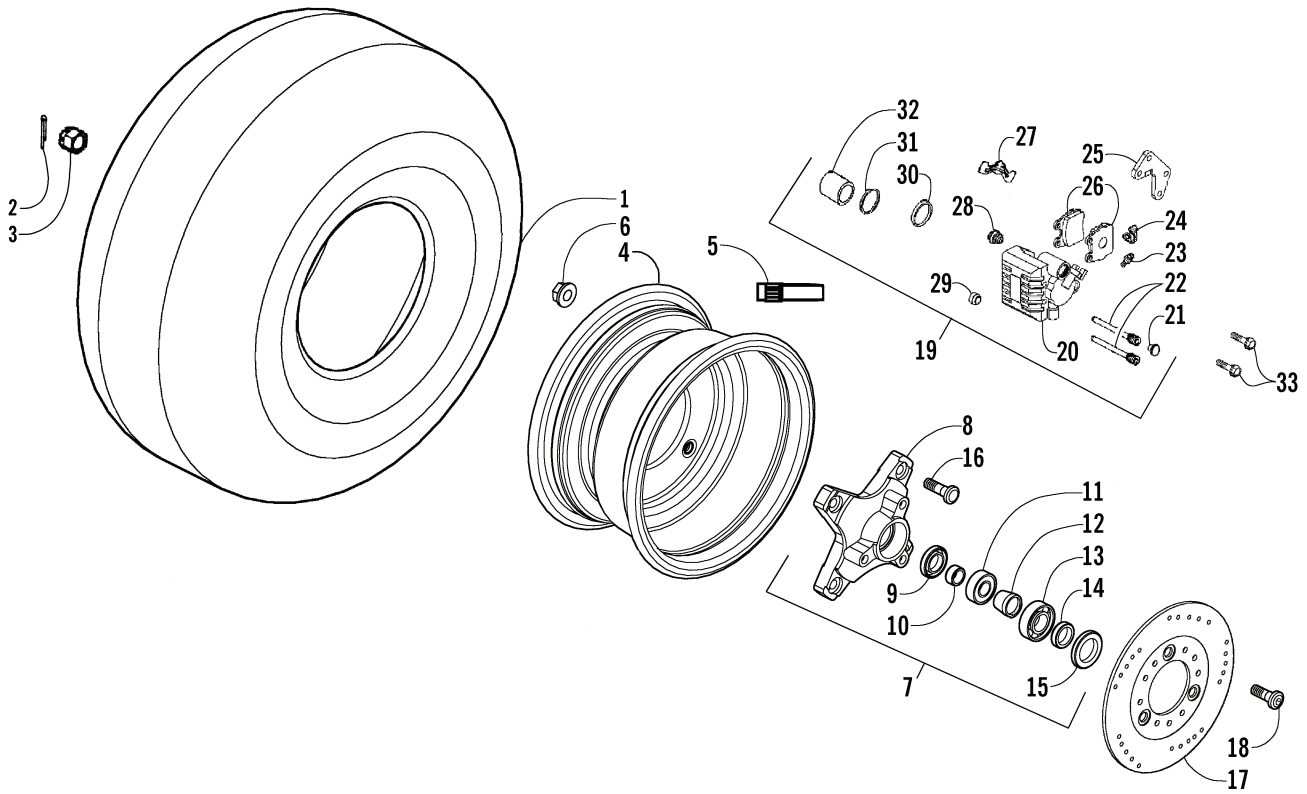
Ref.	Part No.	Qty.	Description	Ref.	Part No.	Qty.	Description
1	<u>3303-926</u>	1	Lever, Foot Brake	22	<u>3303-284</u>	11	Washer, Crush
2	<u>3304-139</u>	2	Washer	23	<u>3305-375</u>	5	Bolt, Banjo-Fitting
3	<u>3304-143</u>	1	Pin	24	<u>3303-375</u>	1	Hose, Foot Brake - Assembly
4	<u>3303-855</u>	1	Spring, Stop - Foot Brake Lever	25	<u>3304-792</u>	1	PGV Assembly
5	<u>3303-929</u>	1	Spring, Set - Foot Brake Lever	26	<u>3304-790</u>	1	Hose, Hand Brake - Assembly - Rear
6	<u>3303-854</u>	1	Switch, Brake	27	<u>3305-376</u>	1	Master Cylinder, Hand Brake - Assembly - Rear (inc. 28-32)
7	<u>3303-927</u>	1	Pin, Clevis	28	<u>3303-175</u>	1	● Holder
8	<u>3304-050</u>	1	Washer	29	<u>3303-318</u>	2	● Screw
9	<u>3304-141</u>	1	Pin, Cotter	30	<u>3305-381</u>	1	● Cover, Master Cylinder
10	<u>3304-797</u>	1	Master Cylinder, Foot Brake - Assembly - Rear (inc. 11-20)	31	<u>3305-407</u>	1	● Diaphragm, Master Cylinder
11	<u>3303-928</u>	1	● Actuator, Push Rod	32	*	1	● Master Cylinder
12	<u>3304-128</u>	2	● Nut, Jam	33	<u>3304-189</u>	2	Screw
13	*	1	● Master Cylinder	34	<u>3303-254</u>	1	Bolt, Hand Brake Lever
14	<u>3303-321</u>	1	● Screw w/Washer	35	<u>3303-141</u>	1	Switch, Hand Brake
15	<u>3304-307</u>	1	● Connector	36	<u>3303-321</u>	1	Screw w/Washer
16	<u>3303-895</u>	2	● Clamp, Brake Hose	37	<u>3304-654</u>	1	Nut
17	<u>3304-308</u>	1	● Hose, Brake	38	<u>3305-388</u>	1	Lever, Hand Brake
18	<u>3303-896</u>	1	● Reservoir, Brake	39	<u>3303-890</u>	1	Hose, Brake - Assembly - Rear
19	<u>3304-332</u>	1	● Cover, Brake Reservoir	40	<u>3303-356</u>	1	Screw, Cap
20	<u>3304-119</u>	2	● Screw, Flat-Head	41	<u>3303-891</u>	1	Clamp, Brake Hose
21	<u>3304-551</u>	3	Screw, Cap				



SHIFT LEVER ASSEMBLY

0740-831

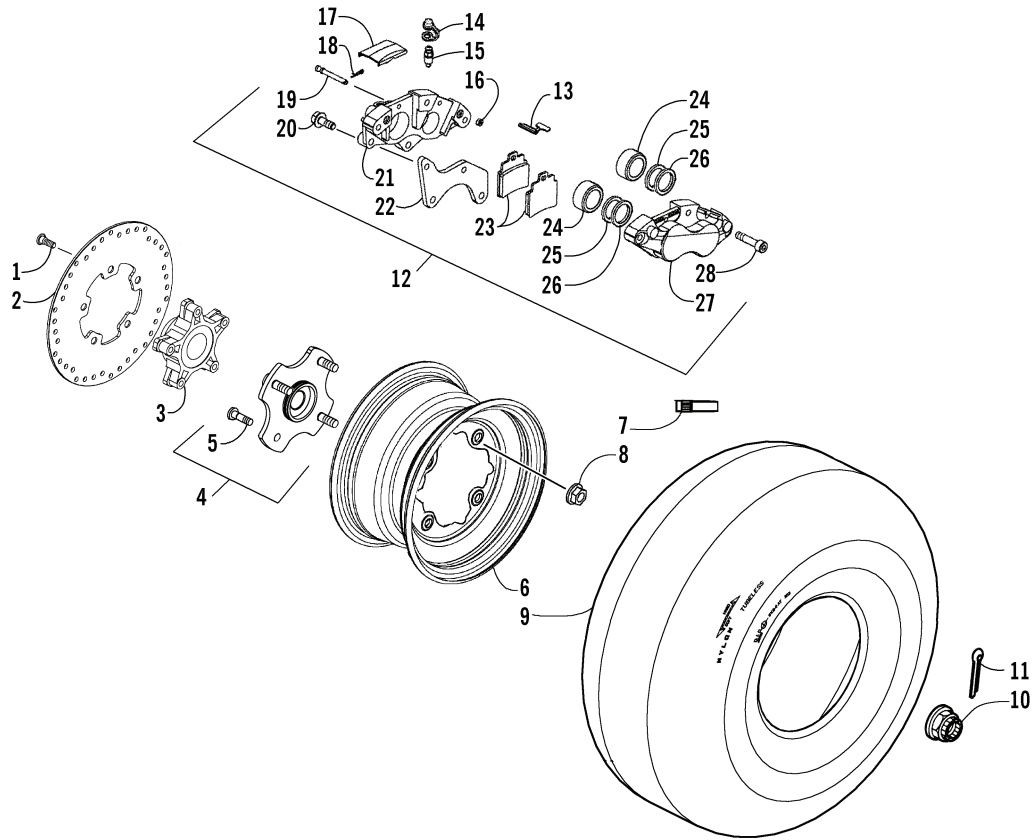
Ref.	Part No.	Qty.	Description	Ref.	Part No.	Qty.	Description
1	<u>3303-823</u>	1	Handle, Gear Shift Rod	12	<u>3304-271</u>	1	Cover, Gear Shift
2	<u>3304-401</u>	1	Bolt, Socket	13	<u>3304-377</u>	1	Ball Joint, Tie Rod - Right
3	<u>3304-458</u>	1	Rod, Gear Shift	14	<u>3304-125</u>	1	Nut, Hex
4	<u>3303-817</u>	1	Pin, Gear Shift	15	<u>3303-607</u>	2	Washer
5	<u>3304-138</u>	2	Washer	16	<u>3304-273</u>	1	Tie Rod
6	<u>3303-818</u>	1	Spring, Gear Shift	17	<u>3304-430</u>	1	Nut, Hex
7	<u>3303-819</u>	1	Bracket, Gear Shift	18	<u>3304-378</u>	1	Ball Joint, Tie Rod - Left
8	<u>3304-127</u>	1	Nut, Hex	19	<u>3303-332</u>	4	Nut
9	<u>3304-438</u>	1	Bolt, Flange	20	<u>3304-270</u>	1	Link, Gear Shift
10	<u>3304-142</u>	1	Pin, Cotter	21	<u>3304-176</u>	2	Screw, Cap
11	<u>3304-272</u>	1	Lever, Gear Shift				



FRONT WHEELS AND BRAKE ASSEMBLY

0741-379R *Not a Service Part

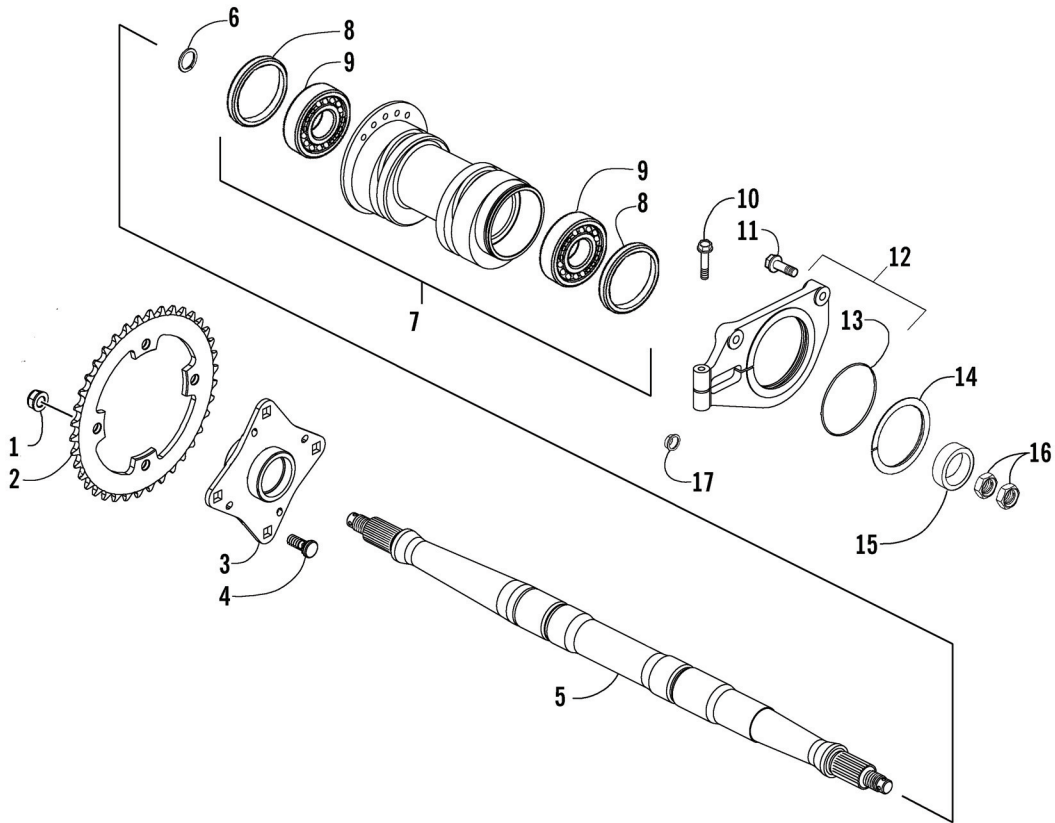
Ref.	Part No.	Qty.	Description	Ref.	Part No.	Qty.	Description
1	<u>3304-750</u>	2	Tire, Front	19	<u>3304-795</u>	1	Caliper Assembly - Front - Right (inc. 20-32)
2	<u>3303-340</u>	2	Pin, Cotter		<u>3304-796</u>	1	Caliper Assembly - Front - Left (inc. 20-32)
3	<u>3303-330</u>	2	Nut	20	*	1	● Housing, Caliper - Assembly - Right
4	<u>3304-310</u>	2	Wheel, Front		*	1	● Housing, Caliper - Assembly - Left
5	<u>3304-562</u>	2	Valve, Wheel	21	<u>3304-334</u>	2	● Plug
6	<u>3304-028</u>	8	Nut, Wheel	22	<u>3304-326</u>	4	● Pin
7	<u>3304-311</u>	2	Hub, Wheel - Assembly - Front (inc. 8-16)	23	<u>3304-330</u>	2	● Valve, Bleed
8	*	2	● Hub, Wheel - Front	24	<u>3304-331</u>	2	● Cap, Bleed Valve
9	<u>3304-089</u>	2	● Seal, Oil	25	<u>3304-317</u>	1	● Bracket, Right
10	<u>3303-898</u>	2	● Collar, Wheel - Inside		<u>3304-328</u>	1	● Bracket, Left
11	<u>3304-200</u>	2	● Bearing	26	<u>3305-258</u>	2	● Pad, Brake - Set
12	<u>3303-900</u>	2	● Collar, Wheel - Center	27	<u>3304-315</u>	2	● Spring, Brake Pad
13	<u>3304-202</u>	2	● Bearing	28	<u>3304-322</u>	2	● Boot A
14	<u>3303-899</u>	2	● Collar, Wheel - Outside	29	<u>3304-329</u>	2	● Bushing
15	<u>3304-088</u>	2	● Seal, Oil	30	<u>3305-380</u>	2	● Seal, Piston - Inner
16	<u>3304-014</u>	8	● Bolt, Hub	31	<u>3305-377</u>	2	● Seal, Dust - Outer
17	<u>3303-912</u>	1	Disc, Brake - Front - Right	32	<u>3304-314</u>	2	● Piston
	<u>3303-918</u>	1	Disc, Brake - Front - Left	33	<u>3304-174</u>	4	Screw, Cap
18	<u>3304-015</u>	6	Bolt				



REAR WHEELS AND BRAKE ASSEMBLY

0742-348R *Not a Service Part

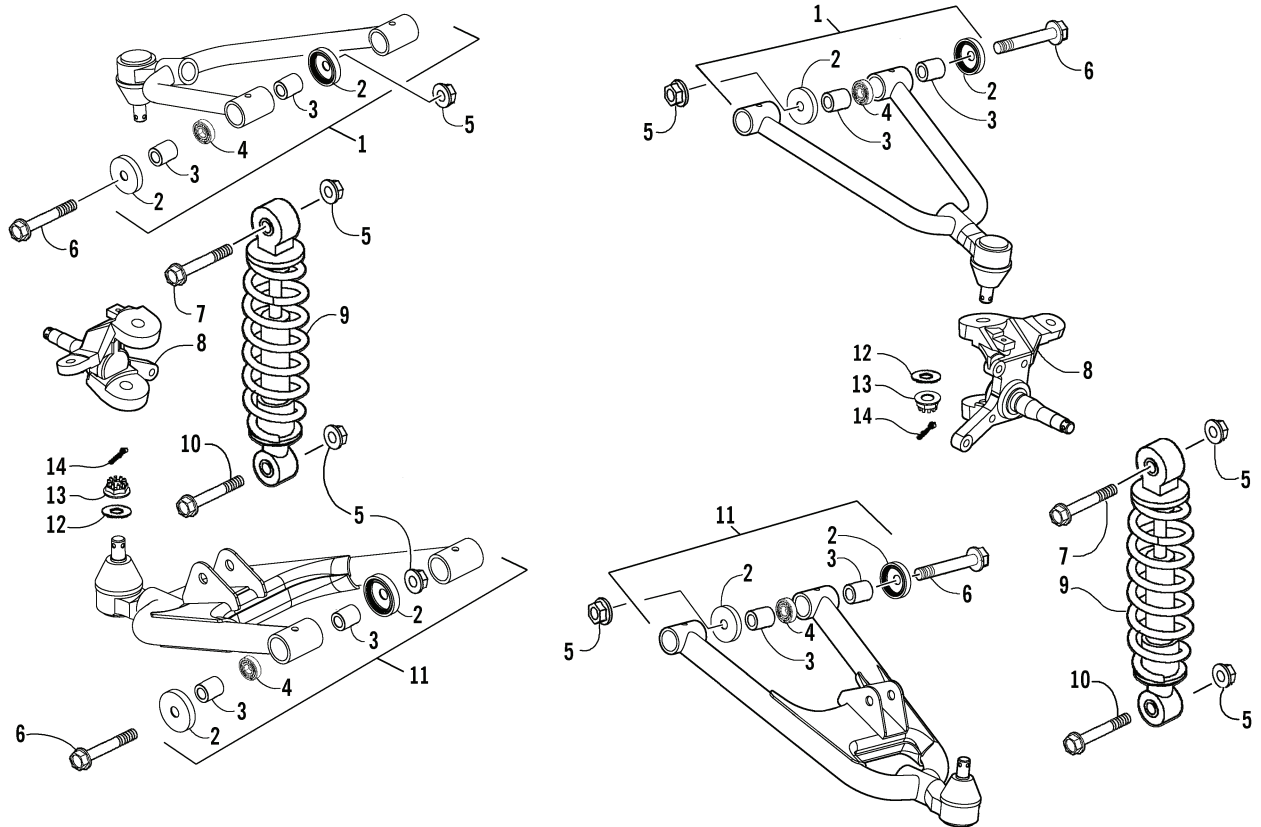
Ref.	Part No.	Qty.	Description	Ref.	Part No.	Qty.	Description
1	3304-015	5	Bolt	15	3304-302	2	● Bleed Valve
2	3304-301	1	Disc, Brake - Rear	16	3304-333	2	● Plug
3	3304-300	1	Hub, Brake Disc	17	3304-318	2	● Cover, Dust
4	3304-296	2	Hub, Wheel - Rear (inc. 5)	18	3303-608	2	● Pin, Lock
5	3304-014	8	● Bolt, Hub	19	3304-325	2	● Pin
6	3304-295	2	Wheel, Rear	20	3304-174	2	● Screw, Cap
7	3304-562	2	Valve, Wheel	21	*	1	● Housing, Caliper - Assembly - Right
8	3304-028	8	Nut, Wheel	22	3304-695	2	● Bracket
9	3304-754	2	Tire, Rear	23	3304-697	2	● Pad, Brake - Set
10	3304-129	2	Nut	24	3305-262	4	● Piston
11	3303-340	2	Pin, Cotter	25	3304-327	4	● Seal, Piston - Inner
12	3304-744	1	Caliper Assembly - Rear (inc. 13-28)	26	3304-316	4	● Seal, Dust - Outer
13	3304-696	2	● Spring, Brake Pad	27	*	1	● Housing, Caliper - Assembly - Left
14	3304-303	2	● Cap, Bleed Valve	28	3304-440	3	● Bolt, Socket



REAR AXLE ASSEMBLY

0740-828

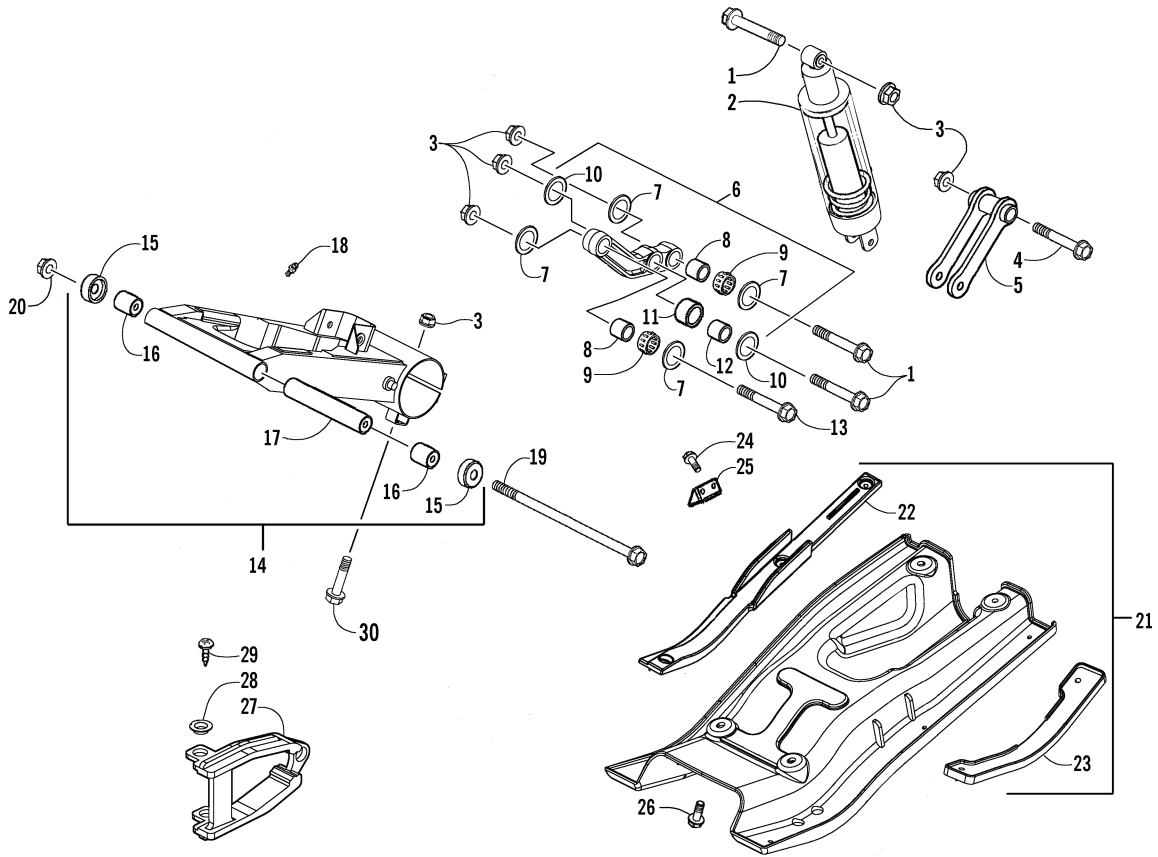
Ref.	Part No.	Qty.	Description	Ref.	Part No.	Qty.	Description
1	<u>3304-031</u>	4	Nut	10	<u>3304-518</u>	1	Bolt
2	<u>3304-291</u>	1	Sprocket, Final - Driven	11	<u>3304-687</u>	2	Bolt
3	<u>3304-292</u>	1	Flange, Sprocket	12	<u>3304-305</u>	1	Bracket, Caliper - Assembly (inc. 13)
4	<u>3304-403</u>	4	Bolt	13	<u>3305-259</u>	1	● O-Ring
5	<u>3304-293</u>	1	Axle, Wheel - Rear	14	<u>3304-519</u>	1	Ring, Retaining
6	<u>3304-415</u>	1	Ring, Snap	15	<u>3304-343</u>	1	Collar
7	<u>3304-294</u>	1	Hub, Rear - Assembly (inc. 8-9)	16	<u>3303-342</u>	2	Nut
8	<u>3304-424</u>	2	● Seal, Oil	17	<u>3304-304</u>	1	Collar
9	<u>3304-688</u>	2	● Bearing				



FRONT SUSPENSION ASSEMBLY

0740-832

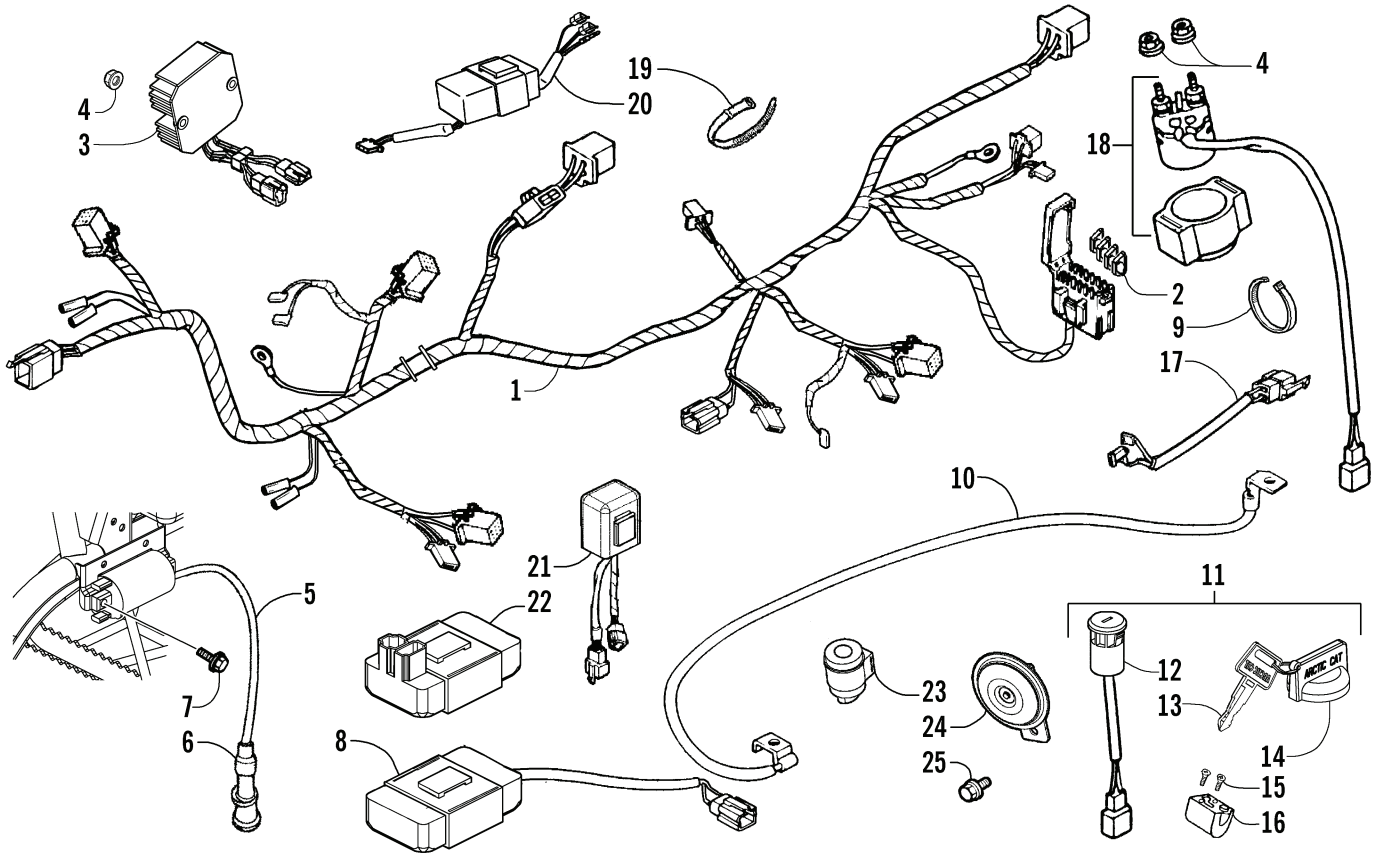
Ref.	Part No.	Qty.	Description	Ref.	Part No.	Qty.	Description
1	<u>3304-371</u>	1	A-Arm Assembly - Upper Right (inc. 2-4)	9	<u>3304-347</u>	2	Cushion - Assembly - Front
	<u>3304-374</u>	1	A-Arm Assembly - Upper Left (inc. 2-4)	10	<u>3304-595</u>	2	Bolt, Flange
2	<u>3304-090</u>	16	● Seal, Oil	11	<u>3304-373</u>	1	A-Arm Assembly - Lower Right (inc. 2-4)
3	<u>3304-689</u>	16	● Bushing, Swing Arm		<u>3304-375</u>	1	A-Arm Assembly - Lower Left (inc. 2-4)
4	<u>3304-199</u>	8	● Bearing	12	<u>3303-335</u>	4	Washer
5	<u>3303-265</u>	12	Nut	13	<u>3303-328</u>	4	Nut, Castle
6	<u>3304-663</u>	8	Bolt, Flange	14	<u>3303-339</u>	4	Pin, Cotter
7	<u>3303-376</u>	2	Bolt, Flange				
8	<u>3304-336</u>	1	Knuckle - Assembly - Right				
	<u>3304-337</u>	1	Knuckle - Assembly - Left				



REAR SUSPENSION ASSEMBLY

0740-833

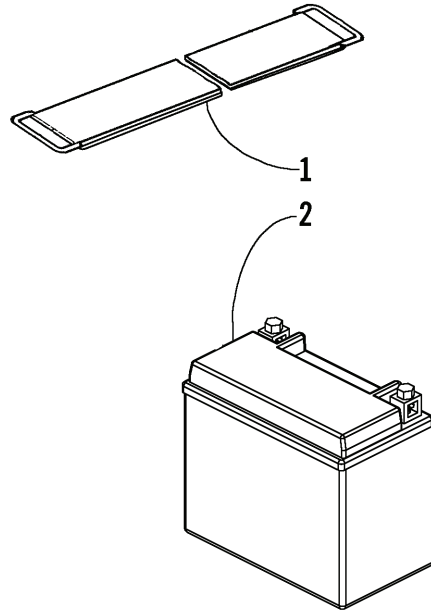
Ref.	Part No.	Qty.	Description	Ref.	Part No.	Qty.	Description
1	3304-185	3	Bolt, Flange	16	3304-359	2	● Bushing
2	3304-366	1	Cushion - Assembly - Rear	17	3304-358	1	● Axle, Rear Fork
3	3303-265	7	Nut	18	3303-393	1	● Fitting, Grease
4	3304-660	1	Bolt, Flange	19	3303-150	1	Bolt, Flange
5	3304-365	1	Link, Cushion Arm Assembly	20	3304-411	1	Nut
6	3304-363	1	Arm, Cushion - Assembly (inc. 7-12)	21	3304-290	1	Plate, Skid - Assembly (inc. 22-23)
7	3304-459	4	● Seal, Oil	22	3304-287	1	● Slide, Chain
8	3304-364	2	● Collar	23	3304-288	1	● Protector, Disc
9	3304-421	2	● Bearing	24	3304-405	2	Screw, Cap
10	3304-090	2	● Seal, Oil	25	3304-289	1	Bracket, Chain Slide
11	3304-372	1	● Sleeve, Axle	26	3304-587	4	Bolt w/Washer
12	3304-309	1	● Axle	27	3304-361	1	Slide, Chain
13	3304-436	1	Bolt, Flange	28	3304-360	3	Collar
14	3304-357	1	Fork, Rear - Assembly (inc. 15-18)	29	3304-690	3	Screw, Self-Tapping
15	3303-192	2	● Seal, Dust	30	3304-437	2	Bolt, Flange



ELECTRICAL AND WIRING HARNESS ASSEMBLY

0742-343R *Not a Service Part

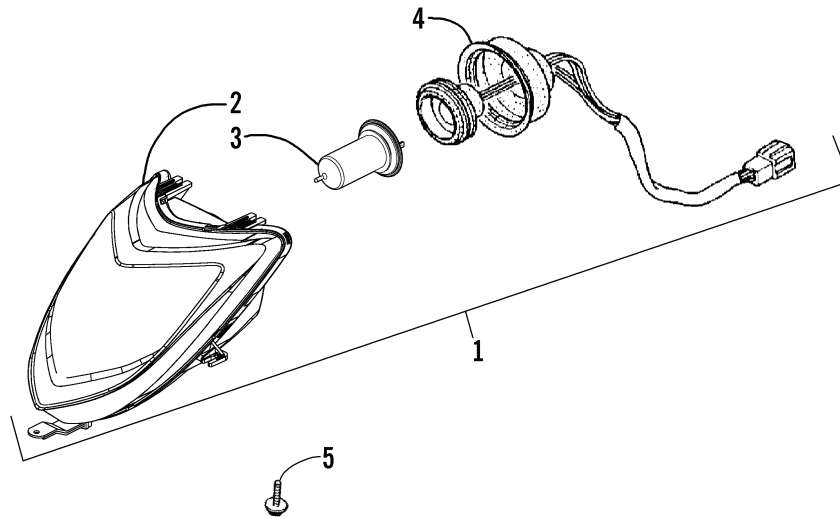
Ref.	Part No.	Qty.	Description	Ref.	Part No.	Qty.	Description
1	<u>3304-735</u>	1	Harness, Main (inc. 2)	13	<u>3305-371</u>	1	● Key, Ignition - Set - Right-Side Cut
2	<u>3304-210</u>	1	● Fuse - 10 Amp		<u>3305-372</u>	1	● Key, Ignition - Set - Left-Side Cut
	<u>3304-211</u>	2	● Fuse - 15 Amp	14	<u>3304-522</u>	1	● Cover, Key - "Arctic Cat"
	<u>3304-212</u>	1	● Fuse - 30 Amp	15	<u>3305-395</u>	2	● Screw
3	<u>3304-681</u>	1	Regulator, Voltage	16	<u>3305-391</u>	1	● Lock, Steering
4	<u>3303-331</u>	4	Nut	17	<u>3303-134</u>	1	Sub-Cord
5	<u>3303-830</u>	1	Coil, Ignition (inc. 6)	18	<u>3303-857</u>	1	Relay, Starter
6	<u>3303-831</u>	1	● Cap, Noise Suppression	19	<u>3303-840</u>	2	Cable Tie
7	<u>3303-382</u>	2	Screw, Cap	20	<u>3304-778</u>	1	Control - Hazard Lights
8	<u>3304-738</u>	1	CDI Unit	21	<u>3304-779</u>	1	Filter, EMI - Fan Motor
9	<u>3303-840</u>	1	Cable Tie	22	<u>3304-783</u>	1	Control, Gear Change
10	<u>3304-278</u>	1	Cable, Battery	23	<u>3304-777</u>	1	Relay, Turn Signal
11	<u>3304-771</u>	1	Switch, Ignition - Assembly (inc. 12-16)	24	<u>3304-776</u>	1	Horn
12	*	1	● Switch, Ignition	25	<u>3303-365</u>	1	Screw, Cap



BATTERY ASSEMBLY

0741-261

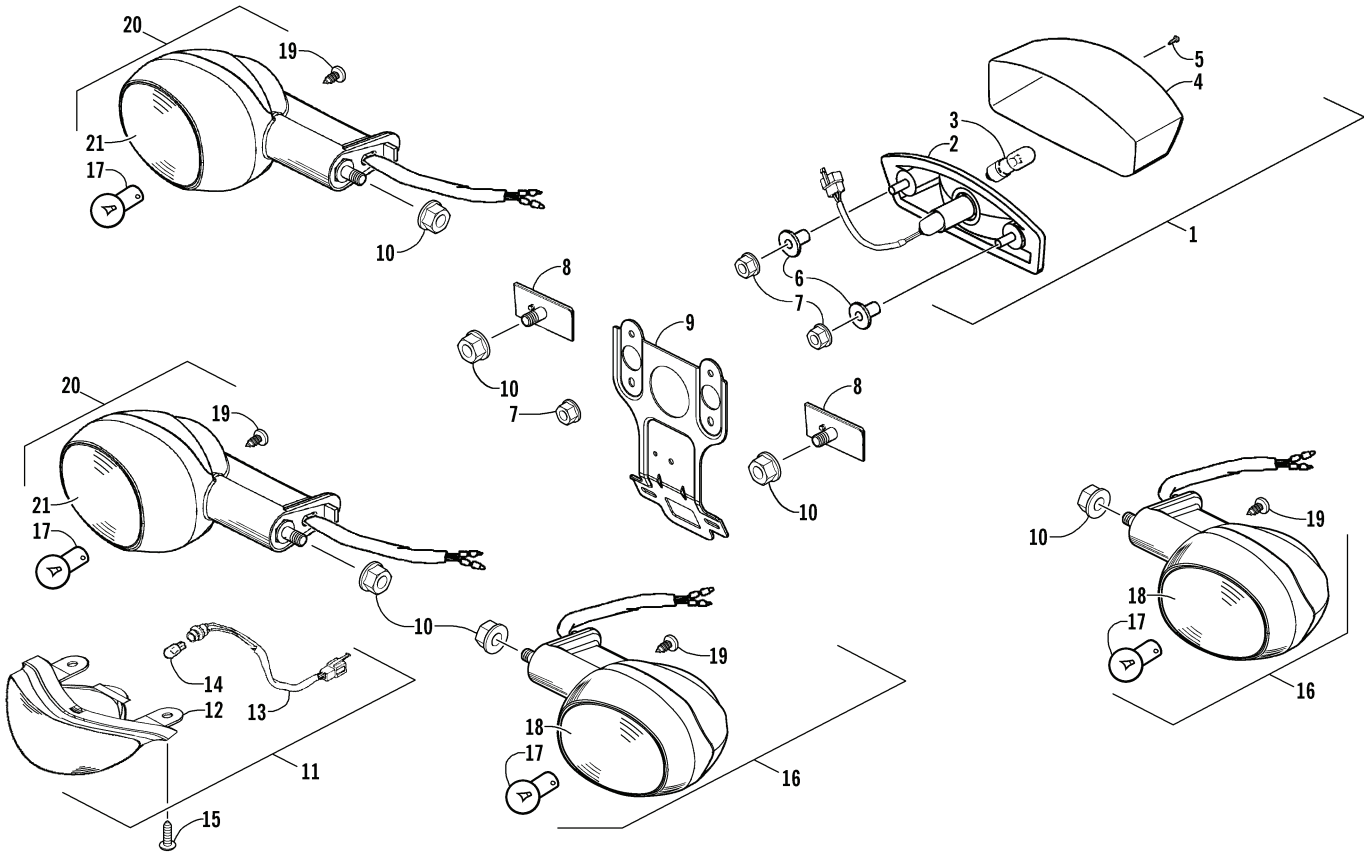
Ref.	Part No.	Qty.	Description	Ref.	Part No.	Qty.	Description
1	<u>3304-434</u>	1	Strap, Battery	2	<u>3304-275</u>	1	Battery



HEADLIGHT ASSEMBLY

0740-821

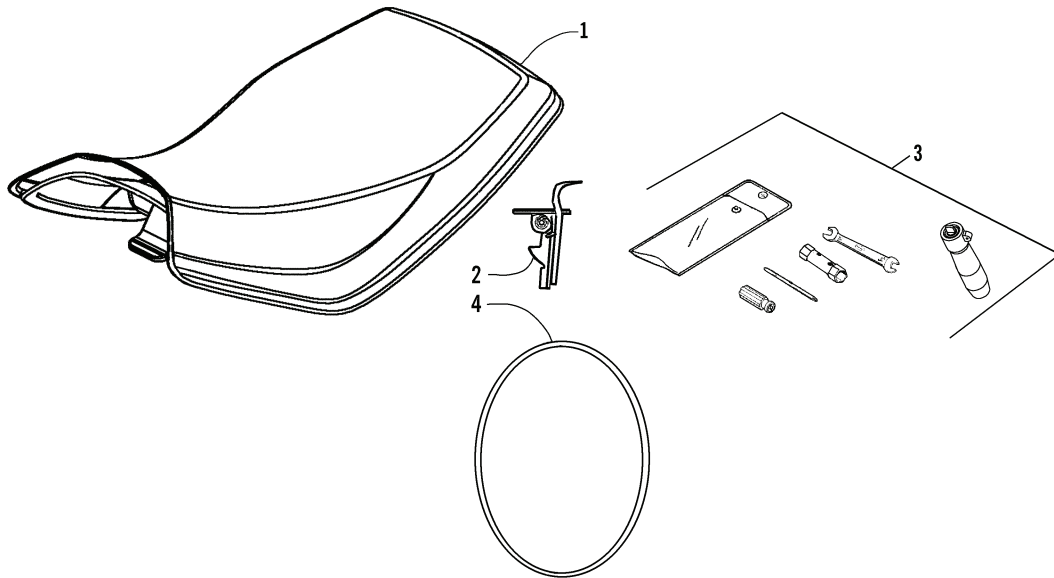
Ref.	Part No.	Qty.	Description	Ref.	Part No.	Qty.	Description
1	<u>3304-280</u>	1	Headlight - Assembly (inc. 2-4)	4	<u>3304-282</u>	1	● Socket Assembly
2	<u>3304-281</u>	1	● Lens, Headlight	5	<u>3304-650</u>	5	● Screw, Self-Tapping
3	<u>3303-846</u>	1	● Bulb, Headlight				



TAILLIGHT AND TURN SIGNAL ASSEMBLIES

0742-345R

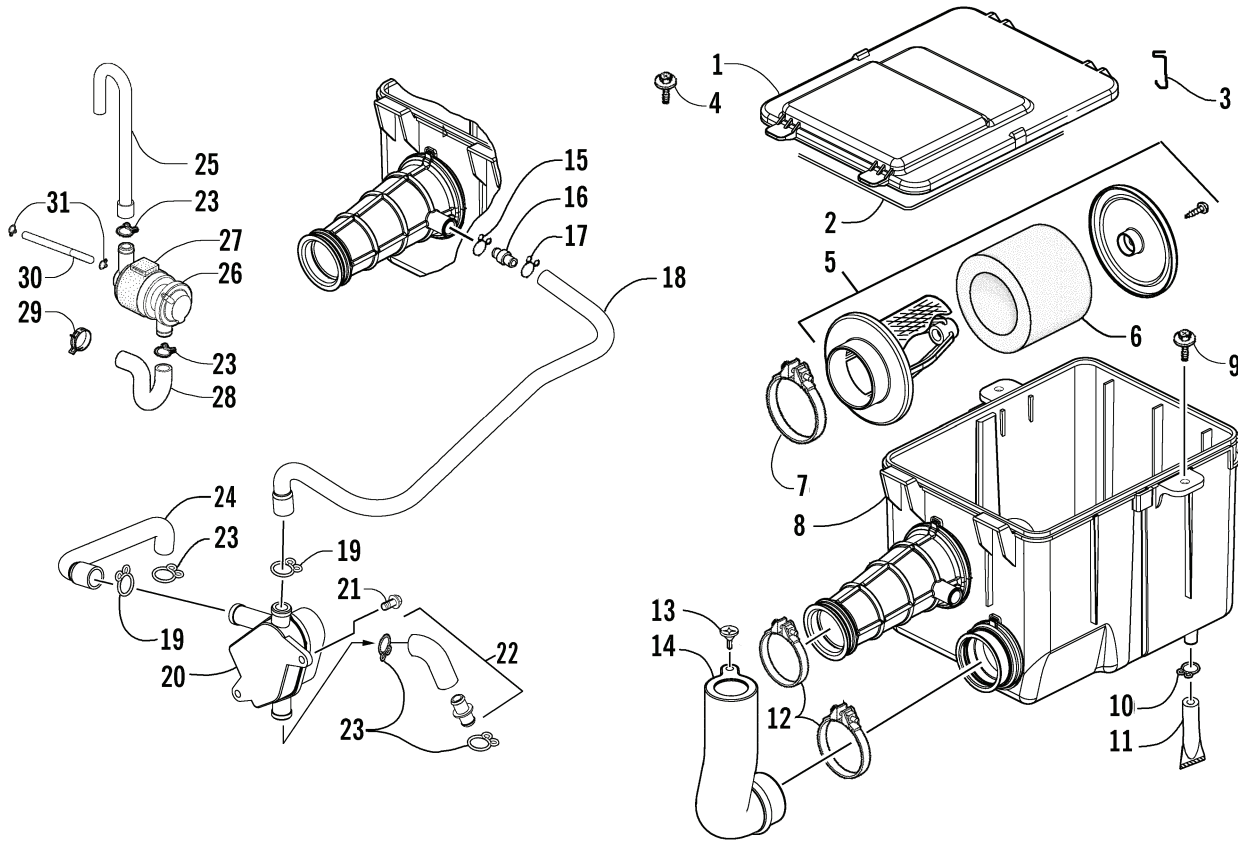
Ref.	Part No.	Qty.	Description	Ref.	Part No.	Qty.	Description
1	<u>3303-782</u>	1	Taillight - Assembly (inc. 2-5)	15	<u>3304-651</u>	2	Screw, Self-Tapping
2	<u>3303-422</u>	1	● Base, Taillight	16	<u>3304-810</u>	1	Turn Signal - Assembly - Left - Front (inc. one No. 17 and one No. 18)
3	<u>3303-444</u>	1	● Bulb, Taillight		<u>3304-811</u>	1	Turn Signal - Assembly - Left - Rear (inc. one No. 17 and one No. 18)
4	<u>3304-421</u>	1	● Lens, Taillight	17	<u>3304-825</u>	4	● Bulb, Turn Signal
5	<u>3304-537</u>	2	● Screw	18	<u>3305-364</u>	2	● Lens, Turn Signal - Left
6	<u>3303-226</u>	2	Collar, Front Fender	19	<u>3305-408</u>	4	Screw
7	<u>3304-654</u>	6	Nut, Flange	20	<u>3304-731</u>	1	Turn Signal - Assembly - Right - Front (inc. one No. 17 and one No. 21)
8	<u>3304-737</u>	2	Reflector		<u>3304-732</u>	1	Turn Signal - Assembly - Right - Rear (inc. one No. 17 and one No. 21)
9	<u>3304-724</u>	1	Bracket, License Plate	21	<u>3305-363</u>	2	● Lens, Turn Signal - Right
10	<u>3304-774</u>	6	Nut				
11	<u>3304-740</u>	1	Light, Front - Assembly (inc. 12-14)				
12	<u>3305-361</u>	1	● Lens, Front Light				
13	<u>3305-362</u>	1	● Harness, Front Light				
14	<u>3303-847</u>	1	● Bulb				



SEAT AND TOOL KIT ASSEMBLY

0740-676

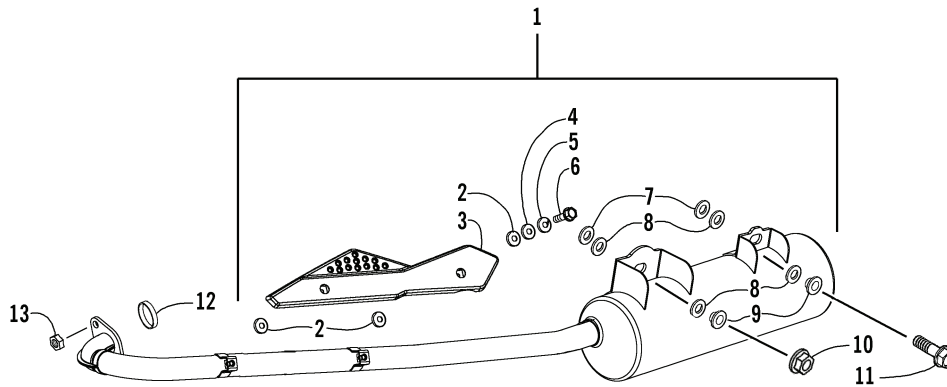
Ref.	Part No.	Qty.	Description	Ref.	Part No.	Qty.	Description
1	<u>3304-391</u>	1	Seat - Assembly (inc. 2)	3	<u>3304-400</u>	1	Kit, Tool
2	<u>3304-392</u>	1	● Latch, Seat - Hook Assembly	4	<u>3303-242</u>	1	Band, Tool Kit



AIR INTAKE ASSEMBLY

0741-487R *Not a Service Part

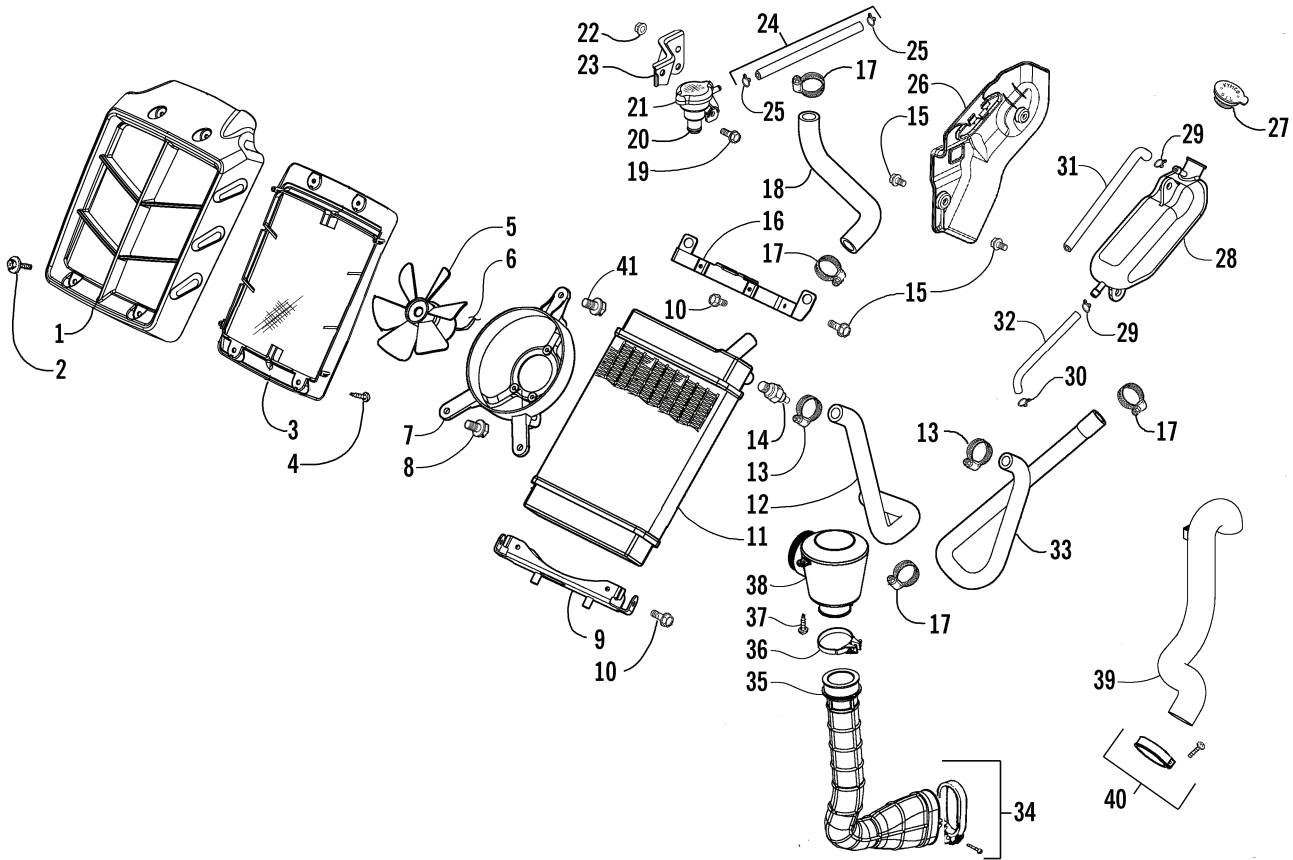
Ref.	Part No.	Qty.	Description	Ref.	Part No.	Qty.	Description
1	<u>3303-705</u>	1	Cover, Air Filter Housing	17	<u>3304-167</u>	1	Clip, Tube
2	<u>3303-703</u>	1	Seal, Air Filter Housing Cover	18	<u>3303-734</u>	1	Tube B - Oil Catch (inc. one No. 19)
3	<u>3303-708</u>	4	Clip, Spring	19	<u>3303-714</u>	2	● Clip, Tube
4	<u>3304-117</u>	1	Screw, Pan-Head w/Washer	20	<u>3303-706</u>	1	Catch, Oil
5	<u>3303-704</u>	1	Filter, Air - Assembly (inc. 6)	21	<u>3304-553</u>	2	Bolt, Flange
6	*	1	● Filter, Foam	22	<u>3303-735</u>	1	Tube C - Oil Catch (inc. two No. 23)
7	<u>3304-416</u>	1	Clamp, Hose w/Screw	23	<u>3303-712</u>	5	● Clip, Tube
8	<u>3303-707</u>	1	Body, Air Filter Housing	24	<u>3303-733</u>	1	Tube A - Oil Catch (inc. one No. 19)
9	<u>3304-652</u>	2	Screw w/Washer	25	<u>3304-824</u>	1	Tube, Air - AICV
10	<u>3303-713</u>	1	Clip, Tube	26	*	1	AICV
11	<u>3304-168</u>	1	Tube, Drain	27	<u>3305-355</u>	1	Rubber Mount - AICV
12	<u>3303-709</u>	2	Clamp, Hose w/Screw	28	<u>3305-404</u>	1	Tube - AICV/Reed Valve
13	<u>3304-062</u>	1	Screw, Body	29	<u>3304-167</u>	1	Clamp, Tube
14	<u>3303-710</u>	1	Duct	30	<u>3305-405</u>	1	Tube, Vacuum (inc. 31)
15	<u>3304-433</u>	2	Clip, Tube	31	<u>3304-161</u>	2	● Clip, Tube
16	<u>3303-711</u>	1	Joint, Blow-By				



EXHAUST ASSEMBLY

0740-830

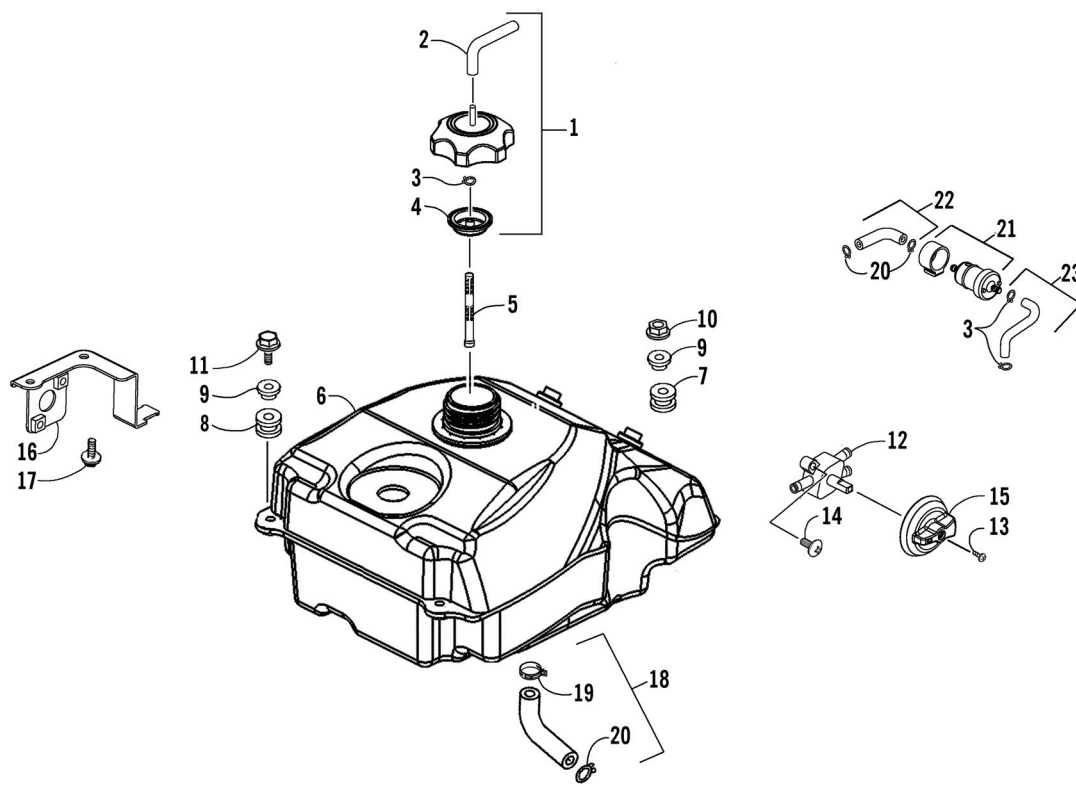
Ref.	Part No.	Qty.	Description	Ref.	Part No.	Qty.	Description
1	3304-457	1	Muffler - Assembly (inc. 2-9)	8	3303-728	4	● Packing
2	3303-727	4	● Packing, Exhaust Shield	9	3303-731	2	● Collar
3	3304-251	1	● Shield, Exhaust	10	3303-332	1	Nut, Flange
4	3304-134	2	● Washer	11	3304-175	1	Bolt, Flange
5	3304-140	2	● Washer, Spring	12	3303-725	1	Gasket, Exhaust Pipe
6	3304-686	2	● Bolt, Flange	13	3304-125	2	Nut, Hex
7	3303-726	2	● Bushing, Rubber				



COOLING ASSEMBLY

0740-836

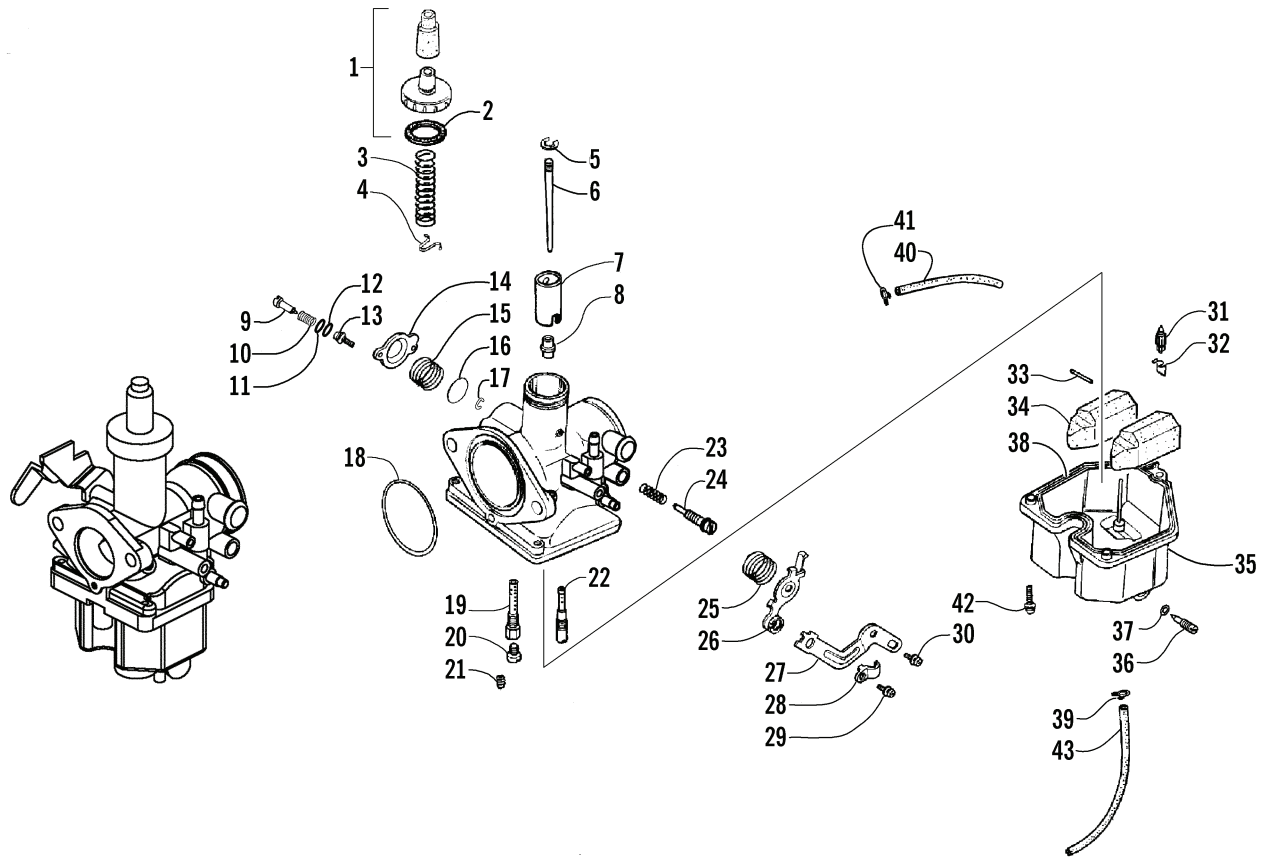
Ref.	Part No.	Qty.	Description	Ref.	Part No.	Qty.	Description
1	3303-743	1	Shroud, Radiator	22	3304-654	2	Nut
2	3304-653	4	Screw w/Washer	23	3303-740	1	Bracket, Mounting - Filler Neck
3	3303-744	1	Screen, Radiator	24	3304-066	1	Tube, Water Pump - Assembly (inc. 25)
4	3304-123	6	Screw w/Washer	25	3304-161	2	● Clip, Tube
5	3303-741	1	Fan, Cooling	26	3303-993	1	Shield, Master Cylinder
6	3303-742	1	Motor, Fan	27	3303-749	1	Cap, Reserve Tank
7	3303-739	1	Shroud, Fan	28	3304-692	1	Tank, Reserve
8	3304-586	3	Bolt	29	3304-163	2	Clip, Tube
9	3303-984	1	Bracket, Radiator - Lower	30	3303-349	1	Clip, Tube
10	3304-116	4	Bolt w/Washer	31	3303-745	1	Hose, Drain - Reserve Tank
11	3303-737	1	Radiator Assembly	32	3304-255	1	Hose, Reserve Tank
12	3303-759	1	Hose, Cooling - Radiator/Engine	33	3303-760	1	Hose, Cooling - Engine/Radiator
13	3304-164	2	Clamp, Hose	34	3303-635	1	Clamp w/Screw
14	3303-862	1	Switch, Temperature	35	3304-224	1	Duct, Cooling
15	3304-587	6	Bolt w/Washer	36	3304-694	1	Clamp w/Screw
16	3303-983	1	Bracket, Radiator - Upper	37	3304-650	2	Screw, Self-Tapping
17	3304-165	4	Clamp, Hose	38	3304-226	1	Box, Inlet - Cooling Duct
18	3303-761	1	Hose, Cooling - Radiator	39	3304-223	1	Duct, Cooling
19	3304-553	1	Bolt, Flange	40	3303-636	1	Clamp w/Screw
20	3303-738	1	Neck, Filler	41	3303-320	3	Screw w/Washer
21	3303-748	1	Cap, Radiator				



GAS TANK ASSEMBLY

0740-829 *Not a Service Part

Ref.	Part No.	Qty.	Description	Ref.	Part No.	Qty.	Description
1	<u>3304-246</u>	1	Cap, Gas Tank - Assembly (inc. 2, one No. 3, and 4)	14	<u>3303-316</u>	2	Screw, Pan-Head
2	<u>3304-169</u>	1	● Hose, Vent	15	<u>3303-701</u>	1	Cover, Gas Tank Valve
3	<u>3303-348</u>	3	● Clip, Tube	16	<u>3303-724</u>	1	Bracket, Mounting - Gas Tank Valve
4	*	1	● Diaphragm	17	<u>3304-409</u>	2	Screw
5	<u>3303-058</u>	1	Screen, Fuel Strainer	18	<u>3303-718</u>	2	Tube, Gas Tank - Assembly (inc. 19 and two No. 20)
6	<u>3304-244</u>	1	Tank, Gas - Assembly (inc. 7-8)	19	<u>3303-351</u>	2	● Clamp, Tube
7	<u>3304-647</u>	2	● Grommet, Rubber	20	<u>3303-349</u>	4	● Clip, Tube
8	<u>3303-406</u>	2	● Grommet, Rubber	21	<u>3303-056</u>	1	Strainer, Fuel - Assembly
9	<u>3303-226</u>	4	Collar, Front Fender	22	<u>3304-171</u>	1	Tube, Fuel Strainer - Assembly (inc. two No. 20)
10	<u>3303-331</u>	2	Nut	23	<u>3304-172</u>	1	Tube, Fuel Strainer - Assembly (inc. two No. 3)
11	<u>3304-551</u>	2	Screw, Cap				
12	<u>3303-700</u>	1	Valve, Gas Tank (inc. 13)				
13	<u>3304-120</u>	1	● Screw				

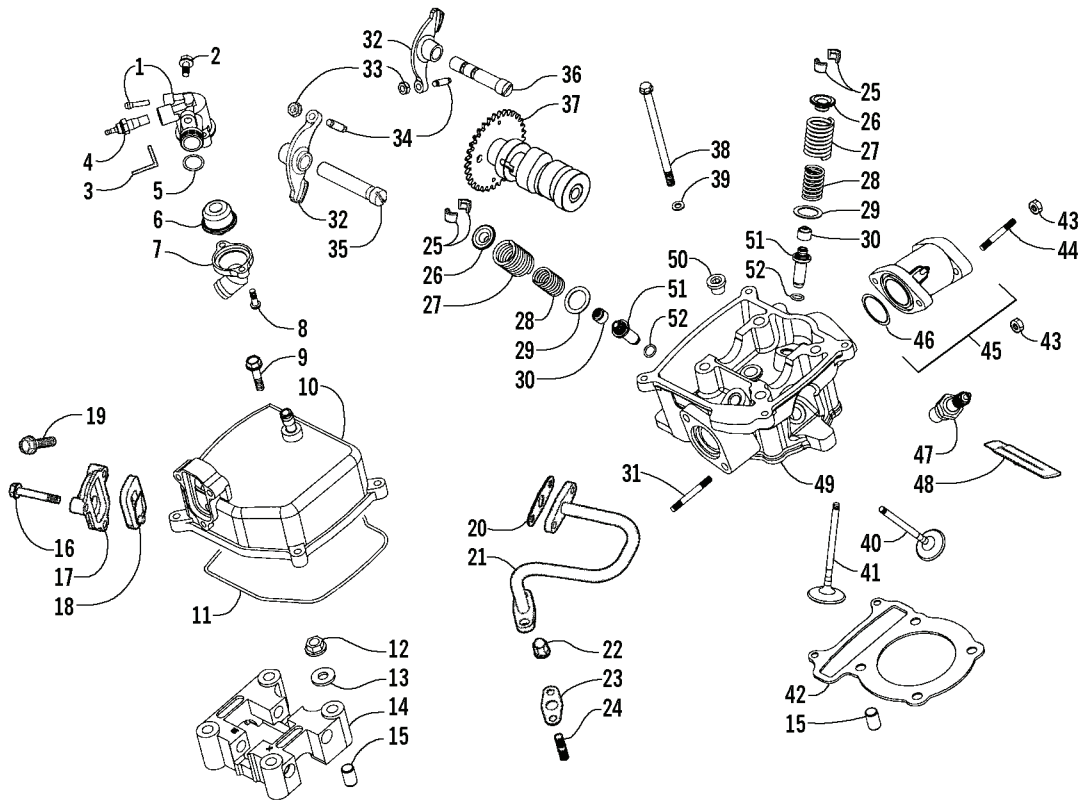


CARBURETOR ASSEMBLY

(Complete Carburetor Assembly p/n 3303-698)

0740-655

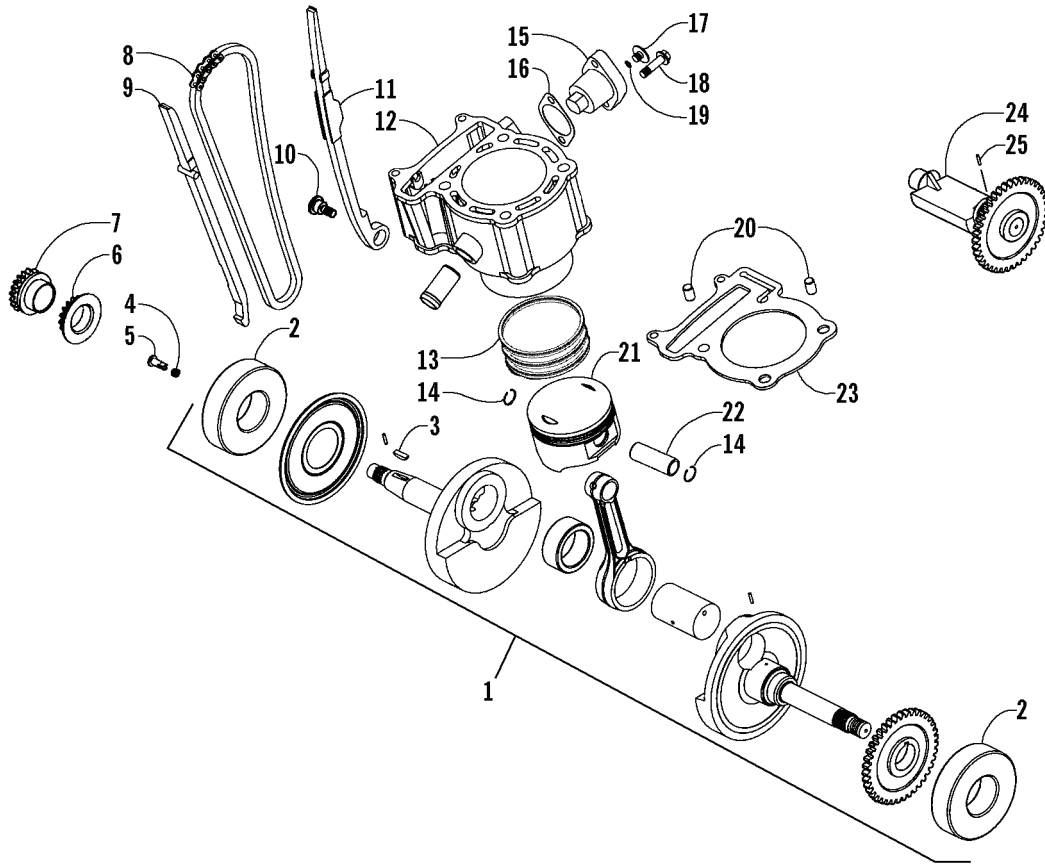
Ref.	Part No.	Qty.	Description	Ref.	Part No.	Qty.	Description
1	<u>3304-218</u>	1	Cover, Top - Assembly (inc. 2)	23	<u>3304-231</u>	1	Spring, Compression
2	<u>3304-217</u>	1	● Gasket, Top	24	<u>3304-455</u>	1	Screw, Stop
3	<u>3304-230</u>	1	Spring, Compression	25	<u>3304-233</u>	1	Spring, Torsion
4	<u>3304-454</u>	1	Clip, Needle	26	<u>3303-627</u>	1	Lever, Choke
5	<u>3304-240</u>	1	Clip, E	27	<u>3304-443</u>	1	Bracket, Choke Cable
6	<u>3304-448</u>	1	Needle, Jet	28	<u>3304-241</u>	1	Clamp, C
7	<u>3304-216</u>	1	Valve, Throttle	29	<u>3303-319</u>	1	Screw w/Washer
8	<u>3304-456</u>	1	Jet, Needle	30	<u>3304-429</u>	1	Screw w/Washer
9	<u>3304-215</u>	1	Screw, Adjuster	31	<u>3304-242</u>	1	Valve, Float
10	<u>3304-232</u>	1	Spring, Compression	32	<u>3304-249</u>	1	Clip, Float Valve
11	<u>3304-250</u>	1	Washer	33	<u>3304-451</u>	1	Pin, Float Arm
12	<u>3304-237</u>	1	O-Ring	34	<u>3304-444</u>	1	Float, Set
13	<u>3304-427</u>	2	Screw w/Washer	35	<u>3304-220</u>	1	Chamber, Float - Assembly
14	<u>3304-229</u>	1	Plate, Cover - Diaphragm	36	<u>3304-243</u>	1	Screw, Drain
15	<u>3304-449</u>	1	Spring, Compression	37	<u>3304-239</u>	1	O-Ring
16	<u>3304-227</u>	1	Diaphragm	38	<u>3304-219</u>	1	Gasket, Float Chamber
17	<u>3304-450</u>	1	Clip, E	39	<u>3304-452</u>	1	Clip, Tube
18	<u>3304-238</u>	1	O-Ring	40	<u>3304-446</u>	1	Tube, Set
19	<u>3304-447</u>	1	Holder, Needle Jet	41	<u>3304-453</u>	1	Clip, Tube
20	<u>3304-441</u>	1	Jet, Main	42	<u>3304-428</u>	3	Screw w/Washer
21	<u>3304-214</u>	1	Holder, Main Jet	43	<u>3305-248</u>	1	Tube, Drain
22	<u>3304-445</u>	1	Jet, Slow				



CYLINDER HEAD ASSEMBLY

0742-346R *Not a Service Part

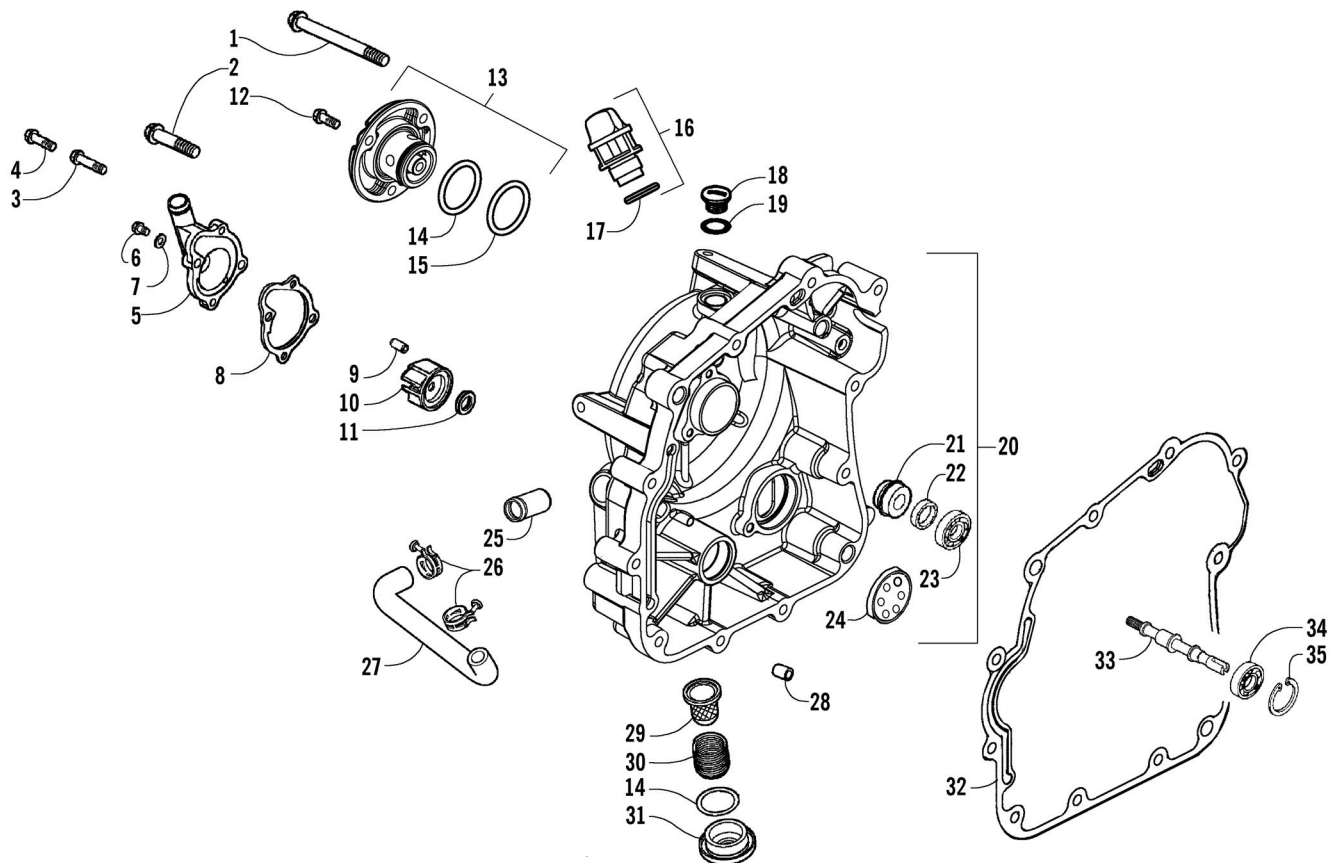
Ref.	Part No.	Qty.	Description	Ref.	Part No.	Qty.	Description
1	3303-756	1	Housing, Thermostat - Upper	27	3303-682	2	Spring, Valve - Outer
2	3303-617	1	Bolt, Flange	28	3303-683	2	Spring, Valve - Inner
3	3303-860	1	Terminal, Ground	29	3303-043	2	Seat, Valve Spring
4	3303-861	1	Sensor, Engine Coolant Temperature	30	3303-657	2	Seal, Valve Stem
5	3304-094	1	O-Ring	31	3304-010	2	Bolt, Stud
6	3303-755	1	Thermostat	32	3303-673	2	Arm, Rocker
7	3303-757	1	Housing, Thermostat - Lower	33	3304-026	2	Nut, Gap Adjuster
8	3304-118	2	Screw, Pan-Head	34	3304-007	2	Screw, Gap Adjuster
9	3303-360	4	Screw, Cap	35	3303-675	1	Shaft, Rocker Arm - Exhaust
10	3304-708	1	Cover, Cylinder Head	36	3303-674	1	Shaft, Rocker Arm - Intake
11	3303-661	1	Gasket, Cylinder Head Cover	37	3304-235	1	Camshaft
12	3303-332	4	Nut, Lock	38	3303-390	2	Screw, Cap
13	3304-048	4	Washer	39	3304-049	2	Washer
14	3304-228	1	Holder, Camshaft	40	3303-680	1	Valve, Intake
15	3303-342	4	Pin, Dowel	41	3303-681	1	Valve, Exhaust
16	3305-402	2	Screw, Cap	42	3303-659	1	Gasket, Cylinder Head
17	3305-354	1	Cover, Reed Valve	43	3304-124	4	Nut, Lock
18	3305-353	1	Valve, Reed	44	3304-114	4	Bolt, Stud
19	3305-401	1	Screw, Cap	45	3304-709	1	Manifold, Intake (inc. 46)
20	3305-356	1	Gasket	46	3304-097	1	● O-Ring
21	3305-357	1	Pipe, Air	47	0217-730	1	Spark Plug
22	3304-030	2	Nut	48	3304-157	1	Clip, Wire
23	3303-732	1	Gasket	49	3304-707	1	Head, Cylinder (inc. 50-52)
24	3303-582	2	Bolt, Stud	50	3303-656	1	● Bolt, Sealing
25	3303-044	4	Valve, Cotter	51	*	2	● Guide, Valve
26	3303-042	2	Retainer, Valve Spring	52	*	2	● O-Ring



PISTON AND CRANKSHAFT ASSEMBLY

0740-637

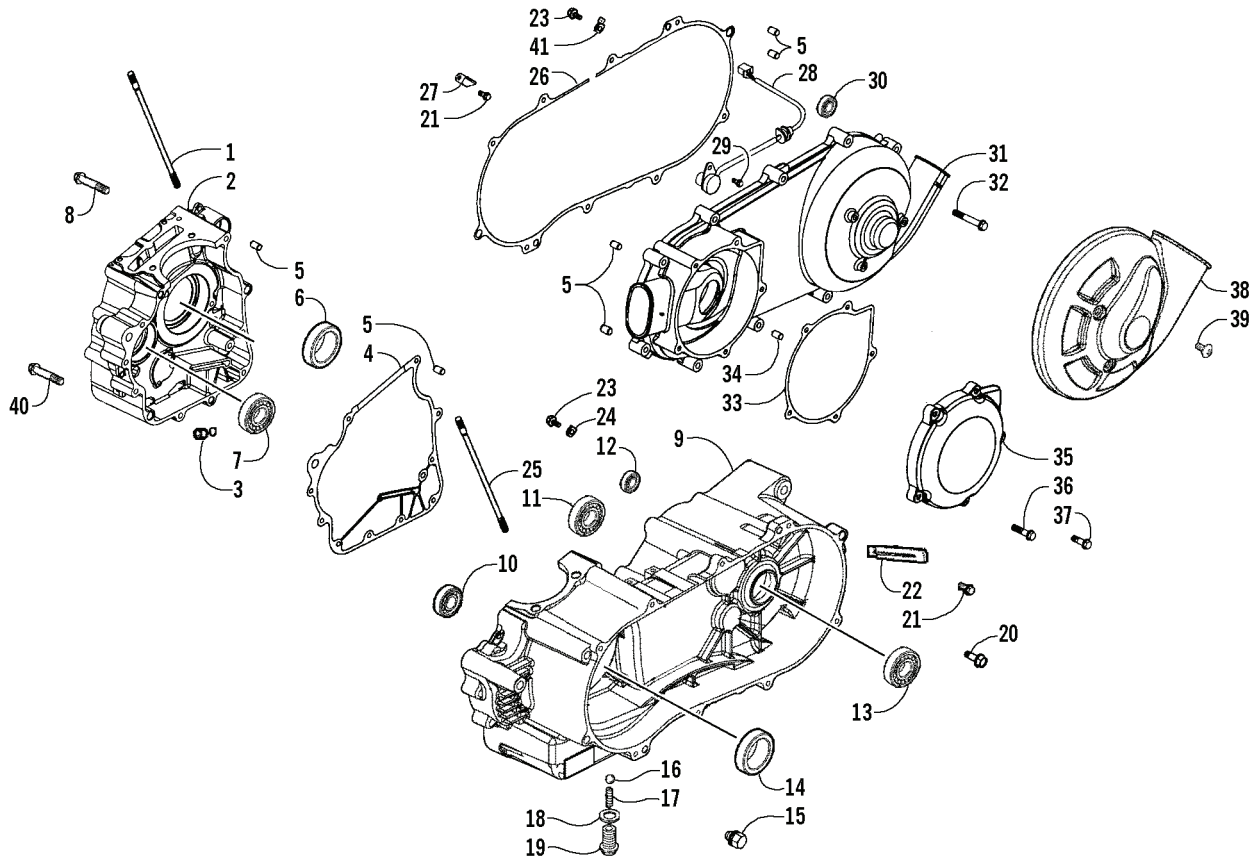
Ref.	Part No.	Qty.	Description	Ref.	Part No.	Qty.	Description
1	3303-663	1	Crankshaft - Assembly (inc. 2)	14	3304-159	2	Circlip
2	3304-419	2	● Bearing	15	3303-677	1	Lifter, Cam Chain Tensioner
3	3304-145	1	Key	16	3303-035	1	Gasket, Cylinder
4	3303-694	1	Spring, Oil Through	17	3304-006	1	Screw w/Washer
5	3303-693	1	Oil Through	18	3303-243	2	Screw, Cap
6	3304-236	1	Gear, Timing	19	3303-305	1	O-Ring
7	3303-689	1	Gear, Drive - Oil Pump	20	3303-342	2	Pin, Dowel
8	3303-671	1	Chain, Cam	21	3303-665	1	Piston
9	3303-679	1	Guide, Cam Chain	22	3303-666	1	Pin, Piston
10	3303-678	1	Pivot, Cam Chain Tensioner	23	3303-654	1	Gasket, Cylinder
11	3303-676	1	Tensioner, Cam Chain	24	3303-667	1	Balancer, Crankshaft (inc. 25)
12	3303-653	1	Cylinder Assembly	25	3304-439	1	● Key
13	3303-664	1	Ring, Piston - Set				



CRANKCASE COVER ASSEMBLY

0740-654 *Not a Service Part

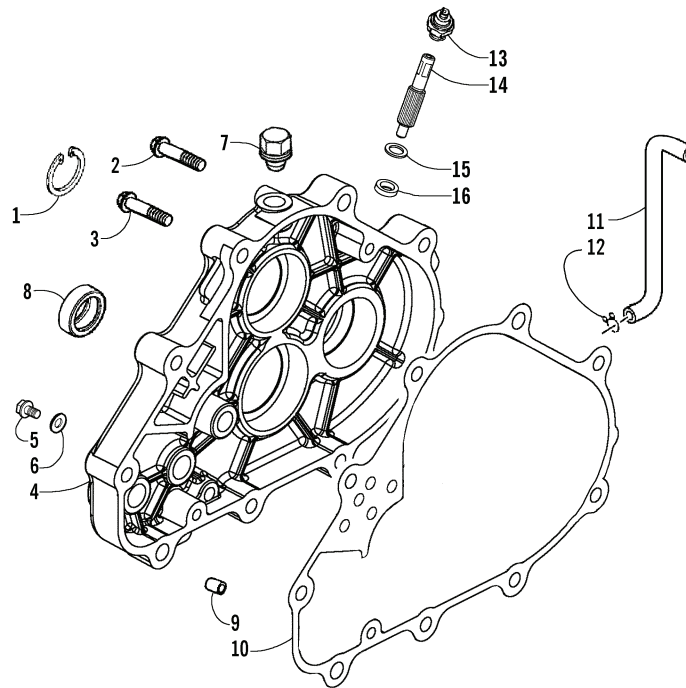
Ref.	Part No.	Qty.	Description	Ref.	Part No.	Qty.	Description
1	3304-192	8	Screw, Cap	19	3304-099	1	O-Ring
2	3303-387	4	Screw, Cap	20	3303-631	1	Cover, Crankcase - Assembly (inc. 21-25)
3	3303-385	2	Screw, Cap	21	3303-751	1	● Seal, Mechanical
4	3303-619	2	Screw, Cap	22	3304-078	1	● Seal, Oil
5	3303-752	1	Cover, Water Pump	23	3304-068	1	● Bearing
6	3304-186	1	Screw, Cap	24	3303-696	1	● Finder, Oil Level
7	3304-049	1	Washer	25	*	1	● Sleeve
8	3303-753	1	Gasket, Water Pump	26	3304-165	2	Clip, Hose
9	3303-341	2	Pin, Dowel	27	3303-758	1	Hose, Water
10	3303-750	1	Impeller, Water Pump	28	3303-342	2	Pin, Dowel
11	3304-038	1	Washer	29	3303-048	1	Screen, Oil Filter
12	3303-382	3	Screw, Cap	30	3303-049	1	Spring, Oil Filter
13	3304-013	1	Cap, Crankcase Cover - Assembly (inc. one No. 14 and 15)	31	3303-021	1	Cap, Oil Filter
14	3303-302	2	● O-Ring	32	3303-641	1	Gasket
15	3304-098	1	● O-Ring	33	3303-754	1	Shaft, Water Pump
16	3303-695	1	Gauge, Oil Level (inc. 17)	34	3304-193	1	Bearing
17	3303-306	1	● O-Ring	35	3304-148	1	Circlip
18	3304-012	1	Cap				



CRANKCASE ASSEMBLY

0741-284

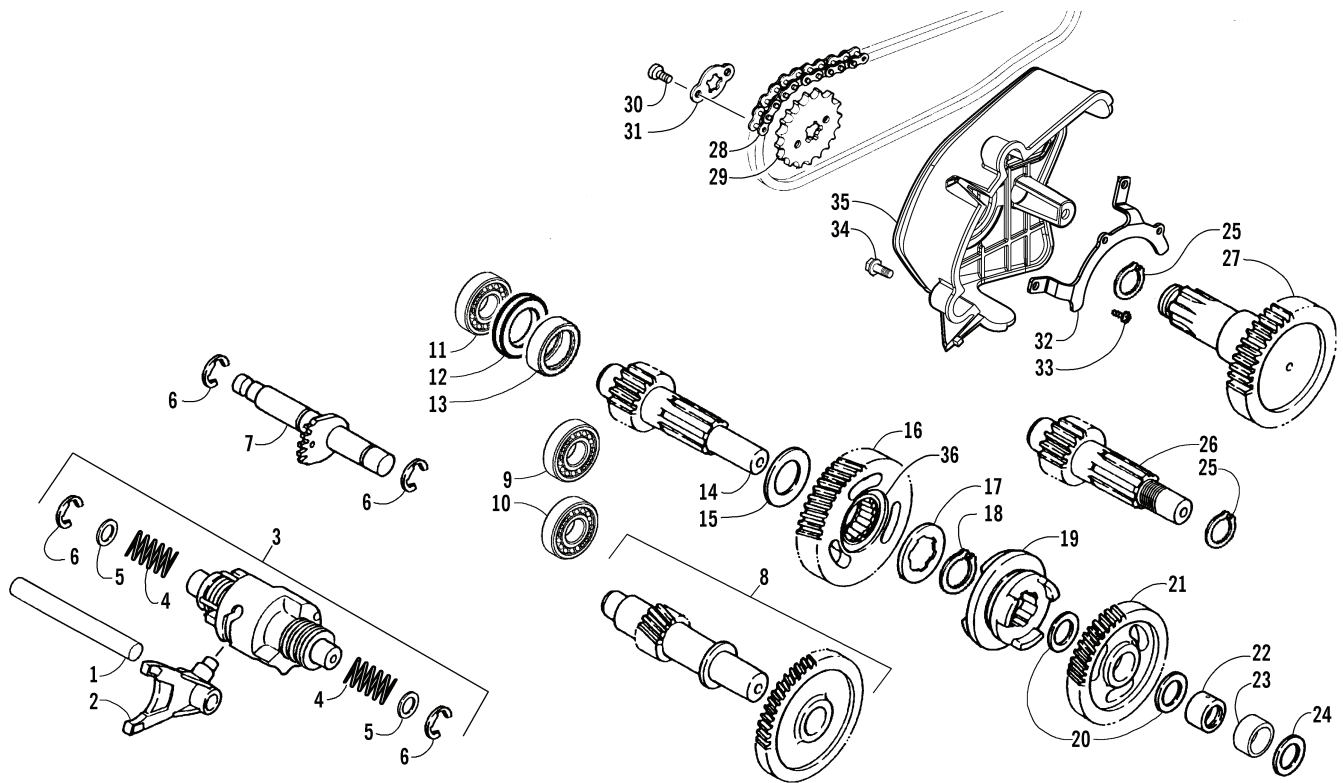
Ref.	Part No.	Qty.	Description	Ref.	Part No.	Qty.	Description
1	3304-008	2	Bolt, Stud	22	3304-158	1	Clip, Wire
2	3303-626	1	Crankcase - Right (inc. 3)	23	3304-005	3	Screw, Cap
3	3304-065	1	● Plug, Cone-Type	24	3304-040	1	Plate, Bearing Holder
4	3303-628	1	Gasket, Crankcase	25	3304-009	2	Bolt, Stud
5	3304-342	6	Pin, Dowel	26	3303-642	1	Gasket, Crankcase Cover
6	3304-091	1	Seal, Oil	27	3303-843	2	Clamp, Wire
7	3304-198	1	Bearing	28	3304-698	1	Cable, Gear Change
8	3304-191	4	Screw, Cap	29	3304-187	1	Screw, Cap
9	3304-221	1	Crankcase - Left	30	3304-073	1	Bearing
10	3304-195	2	Seal, Oil	31	3303-632	1	Cover, Crankcase
11	3304-699	1	Bearing	32	3304-003	8	Screw, Cap
12	3304-074	1	Bearing	33	3304-101	1	Gasket, Recoil Starter Cover
13	3304-067	1	Bearing	34	3303-341	2	Pin, Dowel
14	3304-079	1	Seal, Oil	35	3304-225	1	Cover, Recoil Starter
15	3303-283	1	Plug, Drain	36	3304-190	2	Screw, Cap
16	3304-205	1	Ball, Steel	37	3303-384	3	Screw, Cap
17	3304-063	1	Spring, Bolt Seat Inner	38	3304-222	1	Cover, Crankcase Cover - Left
18	3304-021	1	Washer, Bolt Seat	39	3304-407	3	Screw, Pan-Head
19	3304-109	1	Bolt, Seat	40	3304-004	2	Bolt, Flange
20	3303-365	1	Screw, Cap	41	3304-039	2	Plate, Bearing Holder
21	3303-381	3	Screw, Cap				



TRANSMISSION CASE ASSEMBLY

0742-347R

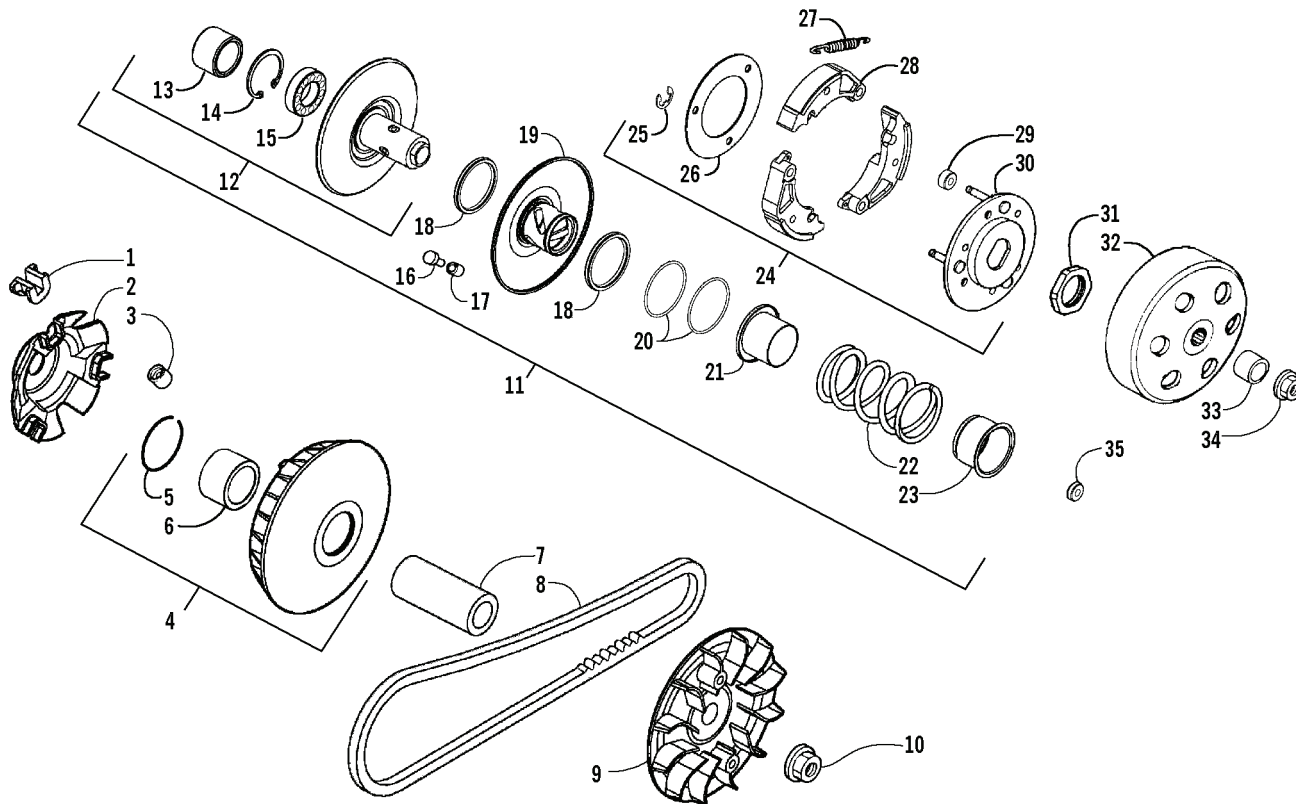
Ref.	Part No.	Qty.	Description	Ref.	Part No.	Qty.	Description
1	3304-514	1	Circlip	9	3303-342	2	Pin, Dowel
2	3303-615	2	Screw, Cap	10	3304-258	1	Gasket, Transmission Case
3	3304-572	7	Screw, Cap	11	3303-630	1	Tube, Breather - Transmission Case
4	3304-706	1	Case, Transmission	12	3304-433	1	Clip, Tube
5	3303-365	1	Screw, Cap	13	3304-108	1	Bolt, Tachometer
6	3303-591	1	Washer	14	3304-703	1	Gear, Tachometer
7	3303-283	1	Plug, Drain	15	3304-047	1	Washer, Thrust
8	3304-081	1	Seal, Oil	16	3304-077	1	Seal, Oil



TRANSMISSION ASSEMBLY

0740-819

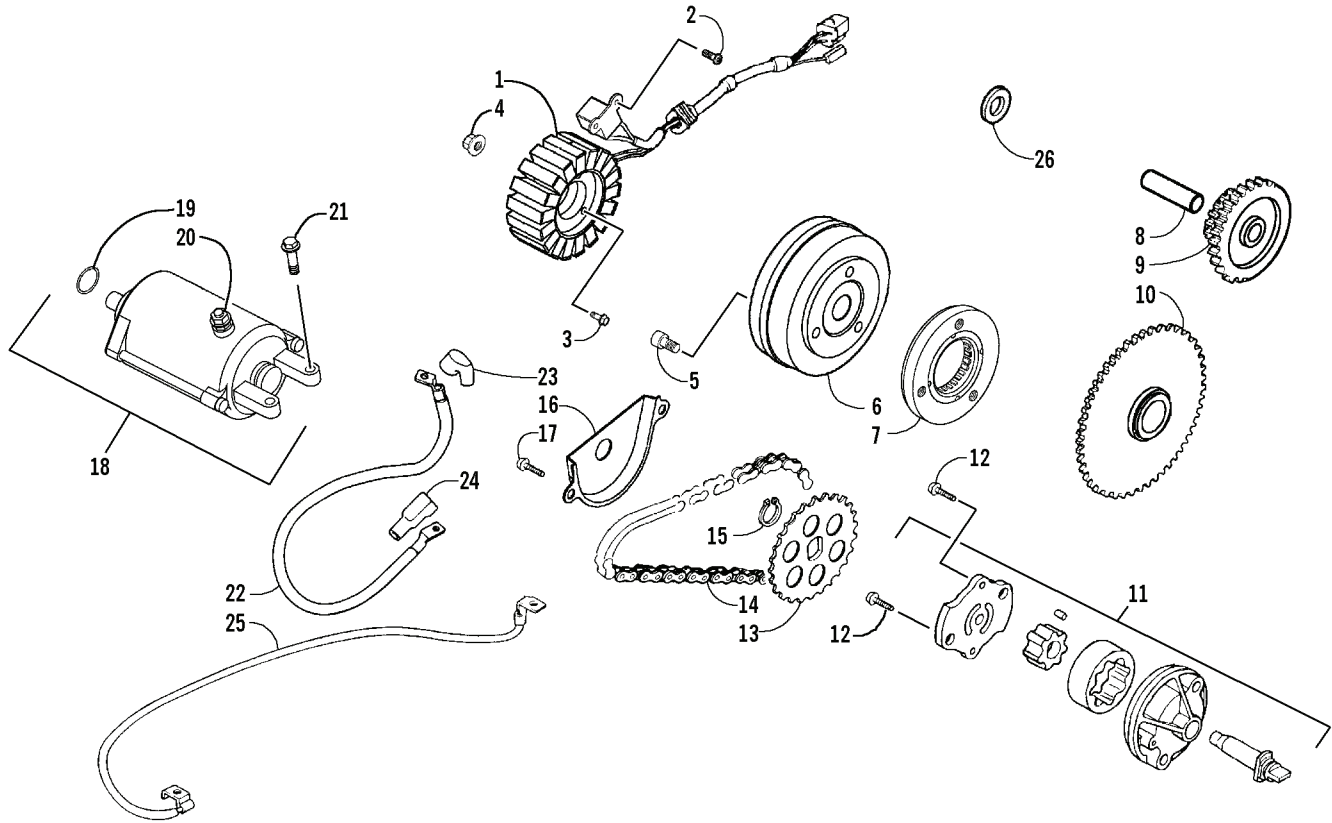
Ref.	Part No.	Qty.	Description	Ref.	Part No.	Qty.	Description
1	3304-513	1	Shaft, Gear Shift Fork	19	3304-264	1	Shift, Main
2	3304-267	1	Fork, Gear Shift	20	3304-413	2	Washer, Thrust
3	3304-268	1	Drum, Gear Shift - Assembly (inc. 4-5 and two No. 6)	21	3303-795	1	Gear, Forward
4	3304-700	2	● Spring, Drum	22	3304-509	1	Collar
5	3304-412	2	● Washer, Thrust	23	3304-508	1	Collar
6	3304-153	4	● E-Ring	24	3304-042	1	Washer, Thrust
7	3304-269	1	Spindle, Gear Shift Drum	25	3304-147	2	Circlip
8	3304-261	1	Gear, Shift Handle	26	3304-260	1	Driveshaft
9	3304-198	1	Bearing	27	3304-262	1	Shaft, Final
10	3304-699	1	Bearing	28	3304-510	1	Chain, Drive
11	3304-195	1	Bearing	29	3304-265	1	Sprocket, Drive
12	3304-425	1	Seal, Oil	30	3303-307	2	Bolt, Hex
13	3304-422	1	Bearing, Needle	31	3304-266	1	Plate, Drive Sprocket
14	3304-691	1	Shaft, Main	32	3304-515	1	Guide, Chain
15	3304-044	1	Washer, Thrust	33	3304-650	2	Screw, Self-Tapping
16	3304-263	1	Gear, Reverse	34	3303-383	3	Bolt, Flange
17	3304-045	1	Washer, Spline	35	3304-715	1	Cover, Chain
18	3304-056	1	Circlip	36	3304-423	1	Bearing - 90O
					3305-398	1	Bearing - 90A



CLUTCH ASSEMBLY

0741-287

Ref.	Part No.	Qty.	Description	Ref.	Part No.	Qty.	Description
1	3303-774	3	Slide	19	3303-785	1	● Face, Movable - Driven
2	3303-773	1	Plate, Ramp	20	3304-107	2	● O-Ring
3	3303-772	6	Guide, Roller	21	3303-789	1	● Collar, Seal
4	3303-770	1	Face, Movable - Drive (inc. 5-6)	22	3303-788	1	● Spring, Driven Face
5	3304-160	1	● Ring, Retaining	23	3303-790	1	● Collar, Spring
6	3303-771	1	● Bushing	24	3303-775	1	● Clutch, Centrifugal - Assembly (inc. 25-30)
7	3303-769	1	Sleeve, Drive Face	25	3304-054	3	● ● E-Ring
8	3303-782	1	Belt, Drive	26	3303-777	1	● ● Plate, Side
9	3303-768	1	Face, Fixed - Drive	27	3303-778	3	● ● Spring, Clutch
10	3304-024	1	Nut, Jam	28	3303-779	3	● ● Weight, Clutch
11	3303-781	1	Clutch, Driven - Assembly (inc. 12-31)	29	3303-780	3	● ● Rubber, Clutch Damper
12	3303-783	1	● Face, Fixed - Driven (inc. 13-15)	30	3303-776	1	● ● Plate, Drive Clutch
13	3304-072	1	● ● Bearing	31	3304-025	1	● Nut
14	3304-149	1	● ● Circlip	32	3303-767	1	Clutch, Outer
15	3304-070	1	● ● Bearing	33	3303-638	1	Sleeve, Driveshaft
16	3303-786	4	● Pin, Roller Guide	34	3304-023	1	Nut, Jam
17	3303-787	4	● Roller, Guide	35	3304-414	1	Washer, Thrust
18	3304-082	2	● Seal, Oil				



STARTER MOTOR AND MAGNETO ASSEMBLY

0740-659

Ref.	Part No.	Qty.	Description	Ref.	Part No.	Qty.	Description
1	3304-682	1	Stator	14	3303-690	1	Chain, Oil Pump
2	3304-118	2	Screw	15	3304-146	1	Circlip
3	3304-111	3	Bolt, Flange	16	3303-697	1	Separator, Oil
4	3304-024	1	Nut	17	3303-381	2	Screw, Cap
5	3304-208	3	Bolt, Socket	18	3304-274	1	Motor, Starter (inc. 19-20)
6	3303-832	1	Flywheel	19	3304-104	1	● O-Ring
7	3303-827	1	Clutch, One-Way	20	3304-011	2	● Nut w/Washer
8	3303-825	1	Shaft, Starter Reduction	21	3303-243	2	Screw, Cap
9	3303-824	1	Gear, Starter Reduction	22	3304-277	1	Cable, Starter Motor (inc. 23-24)
10	3303-826	1	Gear, Starter	23	3305-251	1	● Boot, Starter Motor Terminal
11	3303-687	1	Pump, Oil	24	3305-252	1	● Boot, Starter Solenoid
12	3303-385	2	Screw, Cap	25	3303-842	1	Cable, Ground
13	3303-688	1	Sprocket, Drive - Oil Pump	26	3304-036	1	Washer, Thrust

