



ARCTIC CAT®

www.ace.ag

500

STREET LEGAL



2006

Illustrated Parts Manual

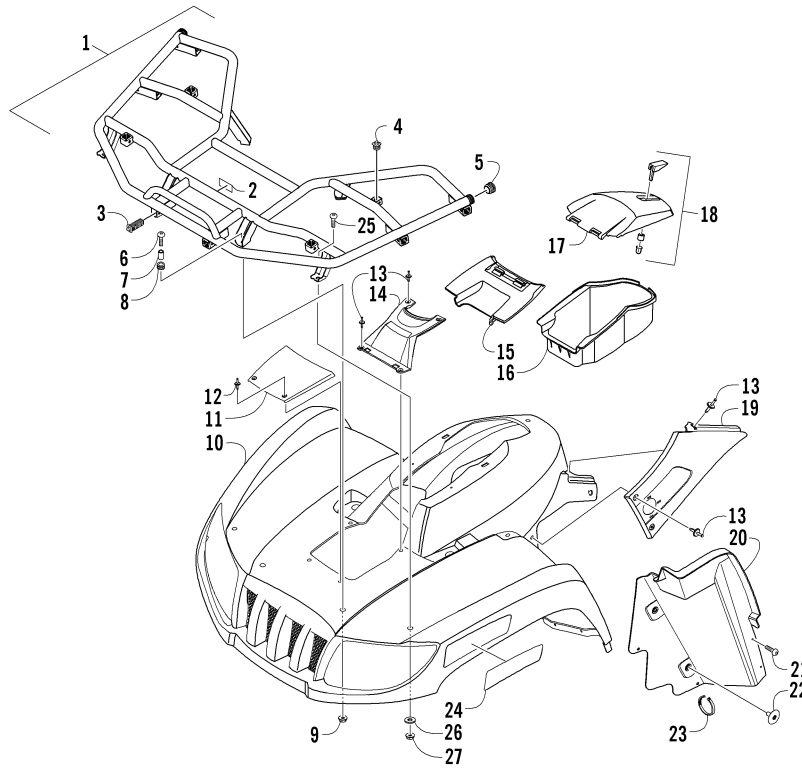
TABLE OF CONTENTS

2006 ATV 500 FIS (Automatic Transmission)

Red
Green
Cat Green

FRONT BODY PANEL ASSEMBLY	1
REAR BODY PANEL ASSEMBLY	2
TAILLIGHT ASSEMBLY	3
DECALS	4
FRAME AND RELATED PARTS	5
FRAME AND RELATED PARTS (LE)	6
WINCH ASSEMBLY (LE)	7
SEAT ASSEMBLY	8
STEERING POST ASSEMBLY	9
HANDLEBAR ASSEMBLY	10
FRONT SUSPENSION ASSEMBLY	11
REAR SUSPENSION ASSEMBLY	12
WHEEL AND TIRE ASSEMBLY	13
WHEEL AND TIRE ASSEMBLY (LE)	14
AUXILIARY BRAKE ASSEMBLY	15
HYDRAULIC HAND BRAKE ASSEMBLY	16
HYDRAULIC BRAKE ASSEMBLY	17
GAS TANK ASSEMBLY	18
REVERSE SHIFT LEVER ASSEMBLY	19
AIR INTAKE ASSEMBLY	20
BATTERY ASSEMBLY	21
ENGINE AND EXHAUST	22
COOLING ASSEMBLY	23
CASE/BELT COOLING ASSEMBLY	24
DRIVE TRAIN ASSEMBLY	25
FRONT DRIVE GEARCASE ASSEMBLY	26
REAR DRIVE GEARCASE ASSEMBLY	27
WIRING HARNESS ASSEMBLY	28
CARBURETOR	29
CYLINDER HEAD ASSEMBLY	30
CYLINDER ASSEMBLY	31
CRANKCASE ASSEMBLY	32
CLUTCH/V-BELT/MAGNETO COVER ASSEMBLY	33
CRANKSHAFT ASSEMBLY	34
STARTER CLUTCH ASSEMBLY	35
CRANK BALANCER ASSEMBLY	36
CAMSHAFT/VALVE ASSEMBLY	37
CAM CHAIN ASSEMBLY	38
RECOIL STARTER ASSEMBLY	39
OIL FILTER/PUMP ASSEMBLY	40
WATER PUMP ASSEMBLY	41
TRANSMISSION ASSEMBLY	42
SECONDARY TRANSMISSION ASSEMBLY	43
SECONDARY DRIVE ASSEMBLY	44
GEAR SHIFTING ASSEMBLY	45
STARTER MOTOR ASSEMBLY	46
MAGNETO ASSEMBLY	47
CONTROL SWITCH HOUSING ASSEMBLY	48
THROTTLE CASE ASSEMBLY	49
RELATED ITEMS	Back Cover

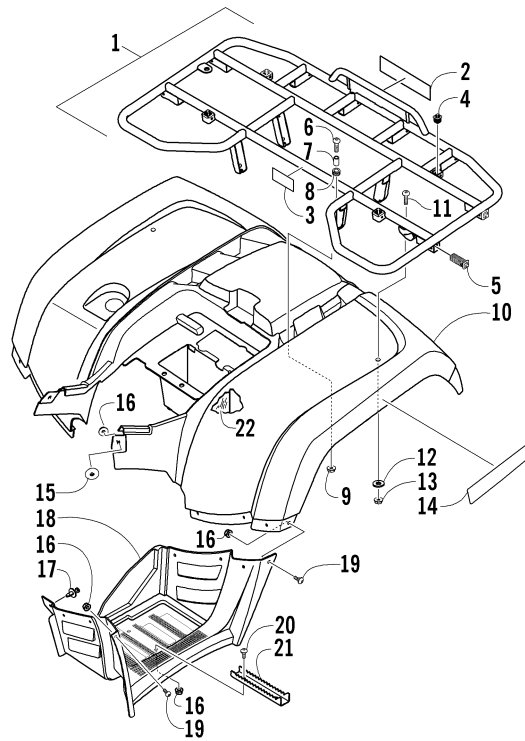
■ **NOTE:** The illustrations used in this Parts Manual are for reference to replacement part numbers only and are not to be used for assembly. For assembly procedures, use an Arctic Cat Service Manual. Underlined part numbers are new for the 2006 model year.



FRONT BODY PANEL ASSEMBLY

0739-662R

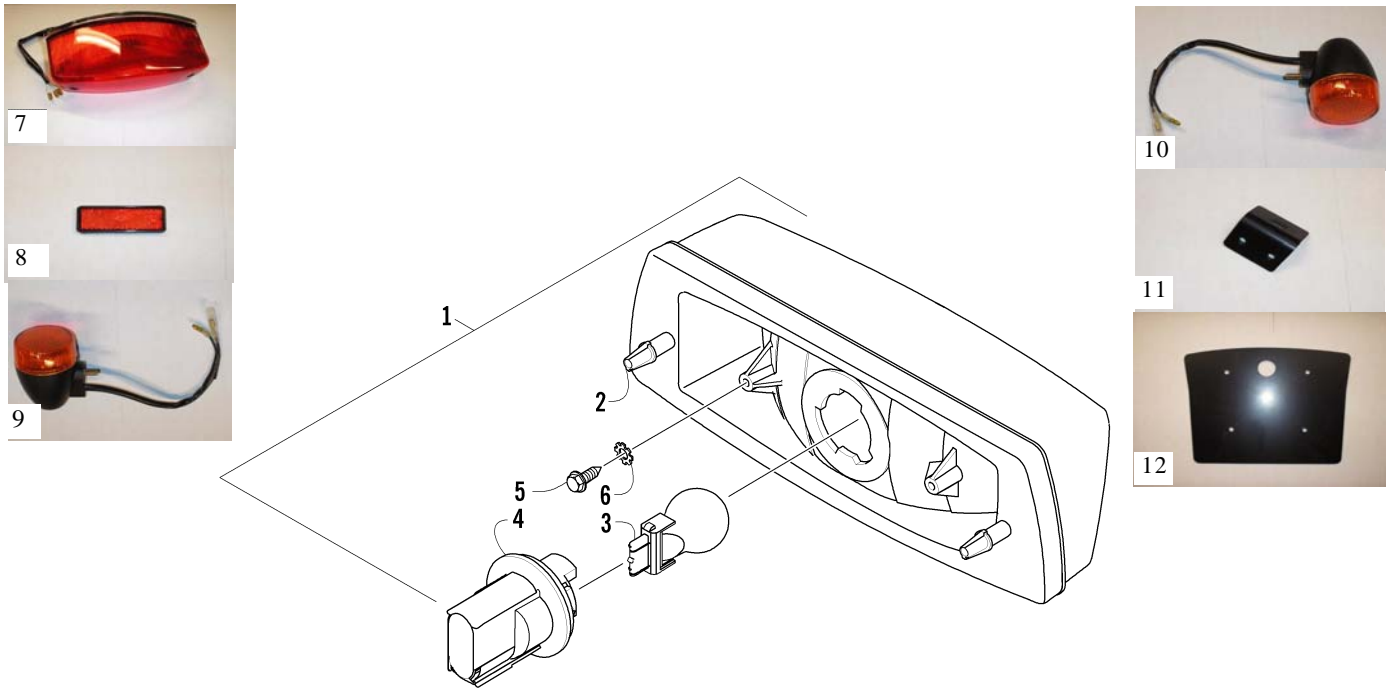
Ref.	Part No.	Qty.	Description	Ref.	Part No.	Qty.	Description
1	<u>0541-272</u>	1	Rack - Front - Assembly (inc. 2-5)	18	1406-599	1	Latch, Storage Box
2	0411-576	1	∅ Decal, Warning - Front Rack Load	19	1406-313	1	Panel, Side - Right
3	0441-556	6	∅ Bushing, Rack		<u>1406-314</u>	1	Panel, Side - Left
4	0441-592	4	∅ Bushing, Rack	20	<u>1406-354</u>	1	Panel, Splash - Right
5	<u>1441-049</u>	2	∅ Plug, Rack		<u>1406-355</u>	1	Panel, Splash - Left
6	8468-830	4	Screw, Machine	21	0423-342	4	Screw, Self-Tapping
7	0423-463	4	Spacer	22	0423-101	5	Screw, Body
8	0423-465	4	Grommet	23	0123-788	AR	Cable Tie - 7.5 in.
9	8432-802	4	Nut, Lock	24	<u>0411-818</u>	1	Decal, Reflector - Amber - Right
10	<u>1406-606</u>	1	Panel, Fender - Front		<u>0411-819</u>	1	Decal, Reflector - Amber - Left
	<u>1406-605</u>	1	Panel, Fender - Front (Green)	25	0423-355	2	Screw, Shoulder
	<u>1406-607</u>	1	Panel, Fender - Front (Cat Green)	26	8050-222	2	Washer
11	<u>1406-358</u>	1	Cover, Access	27	8424-602	2	Nut, Lock
12	<u>0423-535</u>	2	Rivet, Reinstallable	28 AC008-790	1	Anti Theft Device	
13	0623-362	10	Rivet, Reinstallable	29 AC008-793	1	Bracket Anti Theft Device	
14	<u>1406-484</u>	1	Cover, Steering Post	30 AC008-792	1	Holder Anti Theft Device	
15	<u>0470-513</u>	1	Cover, Storage Box	31 AC008-795	1	Star Screw, Anti Theft Device	
16	<u>1406-573</u>	1	Box, Storage	32 AC008-011	1	Holder Panel Left 500/650	
17	<u>0470-514</u>	1	Lid, Storage Box	33 AC008-012	1	Holder Panel Right 500/650	



REAR BODY PANEL ASSEMBLY

0739-665

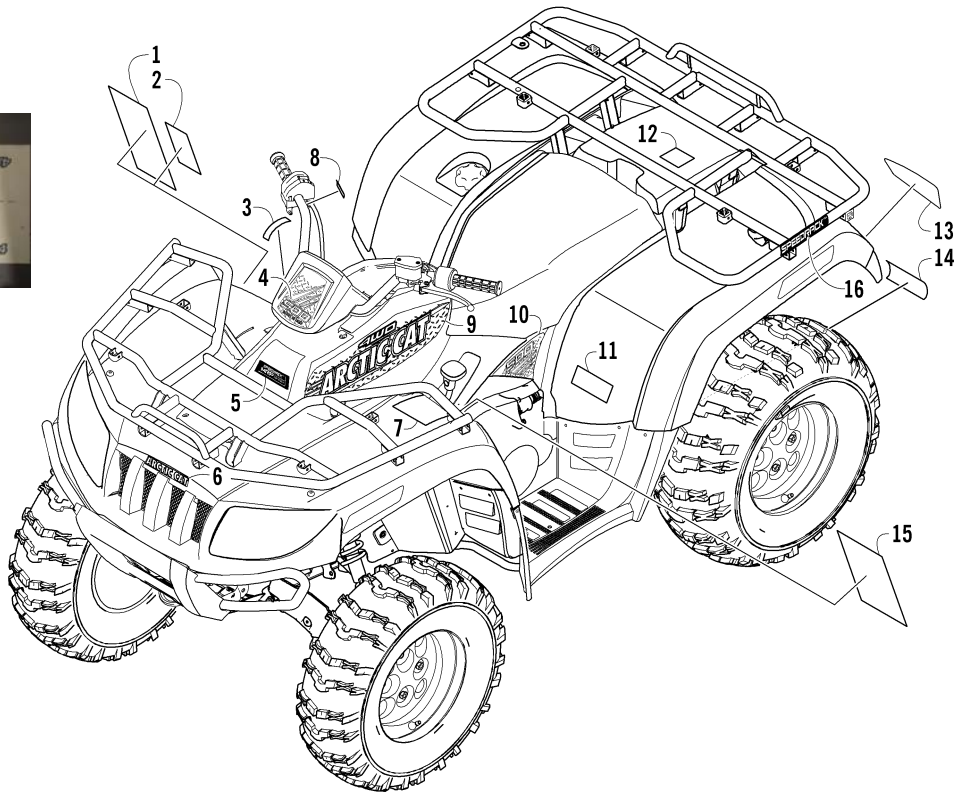
Ref.	Part No.	Qty.	Description	Ref.	Part No.	Qty.	Description
1	<u>0541-275</u>	1	Rack - Rear - Assembly (inc. 2-5)	12	8050-222	2	Washer
	<u>0541-285</u>	1	Rack - Rear - Assembly (inc. 2-5) (LE)	13	8424-602	2	Nut, Lock
2	<u>0411-814</u>	1	ø Decal, "Arctic Cat"	14	<u>0411-820</u>	1	Decal, Reflector - Red - Right
	<u>0411-947</u>	1	ø Decal, "Arctic Cat" (LE)		<u>0411-821</u>	1	Decal, Reflector - Red - Left
3	0411-648	1	ø Decal, Warning - Rear Rack Load	15	0423-101	2	Screw, Body
4	0441-592	4	ø Bushing, Rack	16	<u>0423-540</u>	22	Nut, Lock
5	0441-556	8	ø Bushing, Rack	17	0623-362	2	Rivet, Reinstallable
6	8468-830	4	Screw, Machine	18	<u>1406-356</u>	1	Footwell - Right
7	0423-463	4	Spacer		<u>1406-357</u>	1	Footwell - Left
8	0423-465	4	Grommet	19	8468-616	16	Screw, Machine
9	8432-802	4	Nut, Lock	20	0423-355	6	Screw, Shoulder
10	<u>1406-284</u>	1	Panel, Fender - Rear	21	<u>1506-125</u>	2	Footpeg
	<u>1406-603</u>	1	Panel, Fender - Rear (Green)	22	<u>0412-296</u>	1	Shield, Heat
	<u>1406-604</u>	1	Panel, Fender - Rear (Cat Green)	23	0470-404	2	Grommet
11	0423-355	2	Screw, Shoulder				



TAILLIGHT ASSEMBLY

0739-667

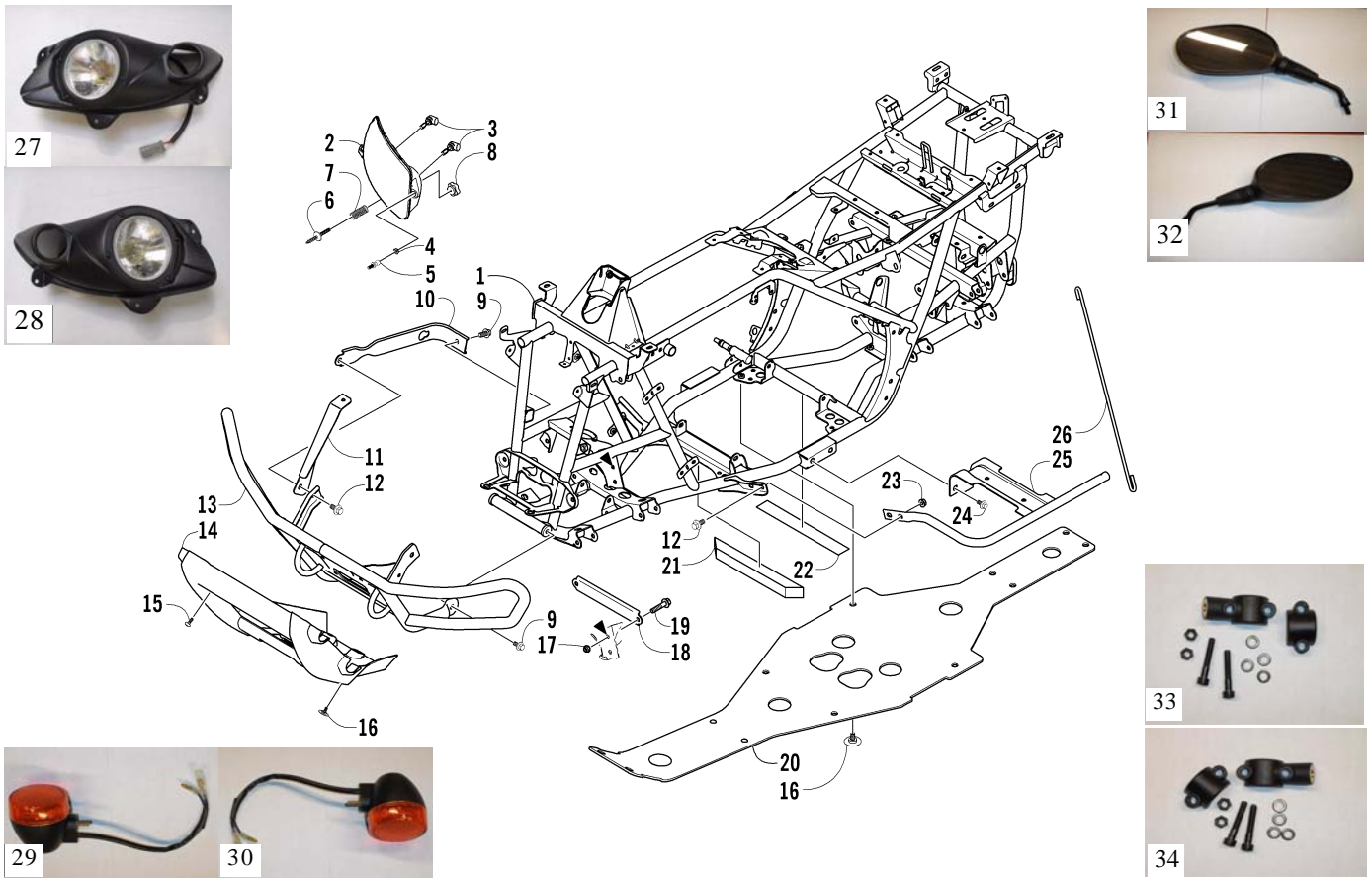
Ref.	Part No.	Qty.	Description	Ref.	Part No.	Qty.	Description
1	0509-022	4	Taillight Assembly (inc. 2-4)	7	AC003-079	1	Taillight New
2	0509-025	4	ø Housing, Taillight	8	AC008-139	2	Reflector
3	0409-056	4	ø Bulb, Taillight	9	AC003-145	1	Indicator, Left
4	0409-057	4	ø Socket, Taillight	10	AC003-146	1	Indicator, Right
5	0623-301	2	Screw, Self-Tapping	11	AC008-223	2	Bracket, Indicator
6	8053-212	2	Washer, Lock—External Tooth	12	AC008-231	1	Bracket, Number Plate



DECALS

0739-676

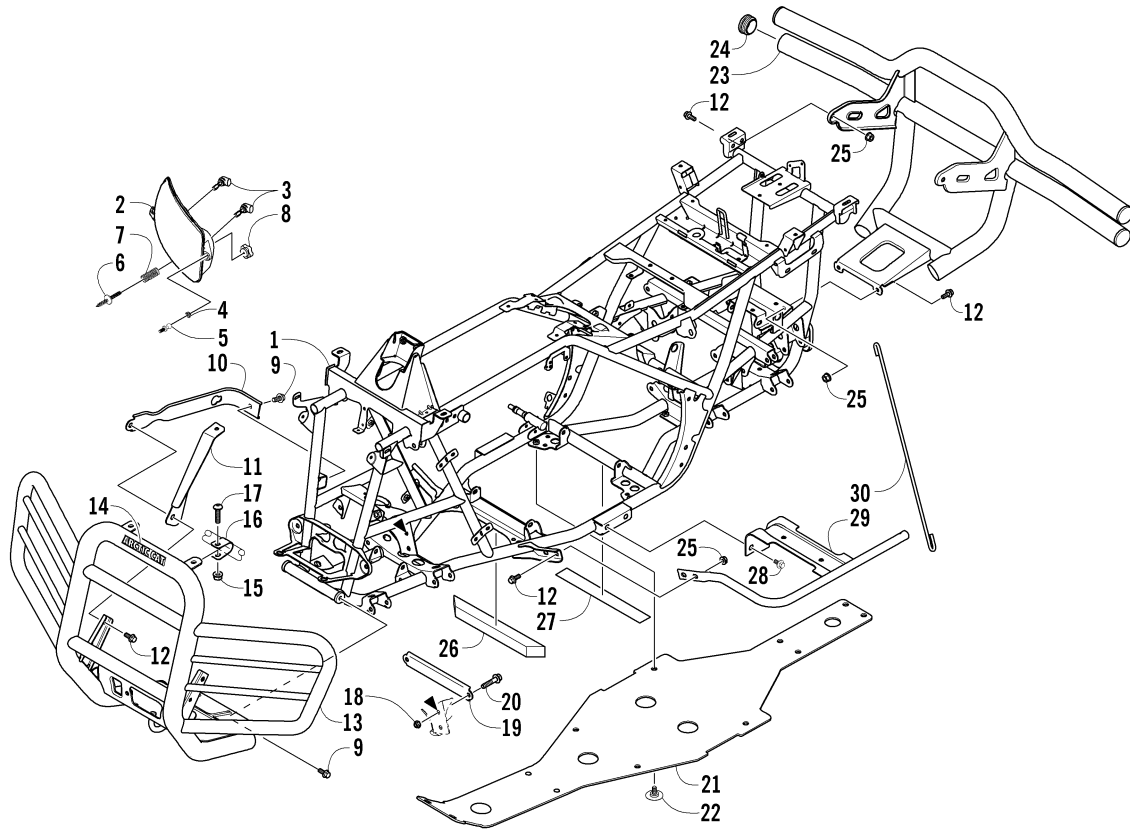
Ref.	Part No.	Qty.	Description	Ref.	Part No.	Qty.	Description
1	1411-250	4	Decal, Warning - Reverse/Pre-Ride		AC001-645	1	ACE Decal Side RH
2	0411-835	4	Decal, Warning - Turn/Hill	10	0411-872	4	Decal, Side - Lower Right
3	0411-426	1	Decal, Warning - Clutch Cover		0411-873	4	Decal, Side - Lower Left
4	0411-844	4	Decal, Instrument Pod		0411-870	4	Decal, Side - Lower Right (Green)
	0411-843	4	Decal, Instrument Pod (Green)		0411-871	4	Decal, Side - Lower Left (Green)
	0411-845	4	Decal, Instrument Pod (Cat Green)		0411-874	4	Decal, Side - Lower Right (Cat Green)
	AC001-639	1	Decal, Head		0411-875	4	Decal, Side - Lower Left (Cat Green)
5	0411-964	1	Decal, Crest		AC001-646	1	Decal, 500 LH
6	0411-840	1	Decal, Front		AC001-647	1	Decal, 500 RH
	0411-839	1	Decal, Front (Green)	11	0411-430	1	Decal, Warning - Tire Pressure
	0411-841	1	Decal, Front (Cat Green)	12	0411-435	4	Decal, Passenger
7	0411-401	1	Decal, Warning - Age	13	0411-890	1	Decal, Rear - Right
8	0411-966	1	Decal, Warning - Differential Lock		0411-891	1	Decal, Rear - Left
9	0411-854	4	Decal, Side - Upper Right		0411-888	1	Decal, Rear - Right (Green)
	0411-855	4	Decal, Side - Upper Left		0411-889	1	Decal, Rear - Left (Green)
	0411-852	4	Decal, Side - Upper Right (Green)		0411-892	1	Decal, Rear - Right (Cat Green)
	0411-853	4	Decal, Side - Upper Left (Green)		0411-893	1	Decal, Rear - Left (Cat Green)
	0411-856	4	Decal, Side - Upper Right (Cat Green)	14	0411-267	1	Decal, Warning - Towing
	0411-857	4	Decal, Side - Upper Left (Cat Green)	15	0411-218	4	Decal, Warning - General
	AC001-644	1	ACE Decal Side LH	16	0411-965	1	Decal, "Speedrack"



FRAME AND RELATED PARTS

0739-686

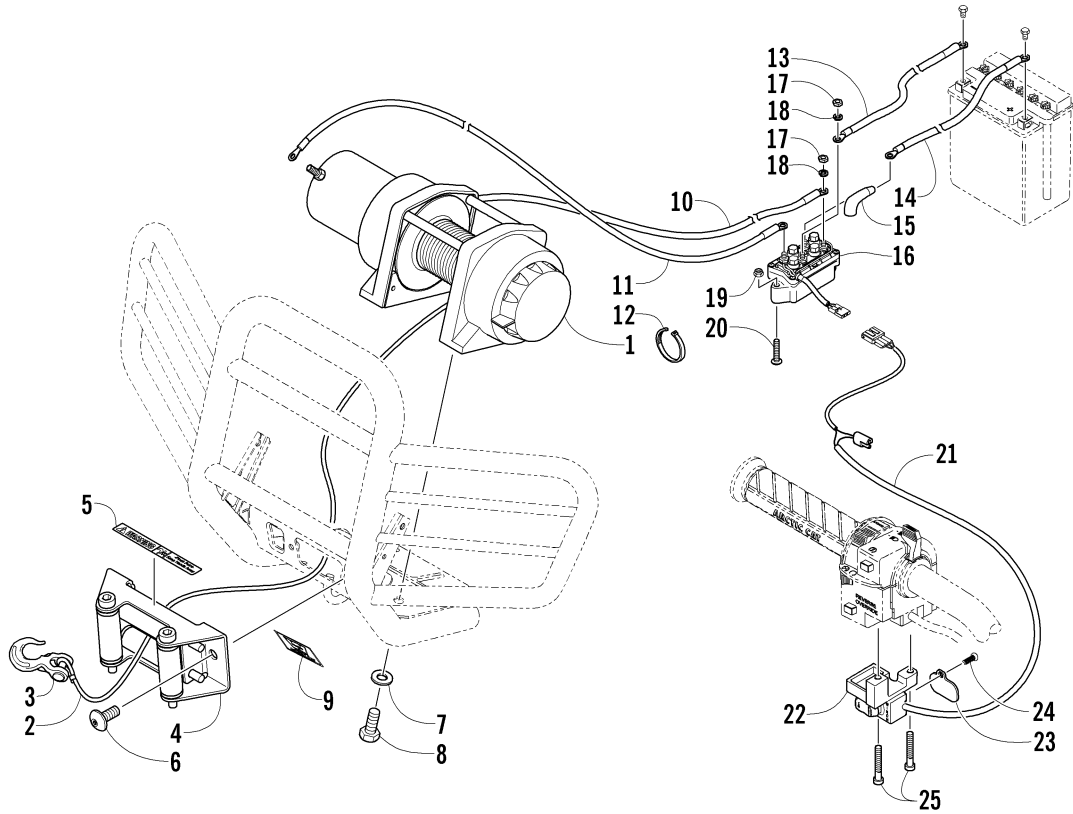
Ref.	Part No.	Qty.	Description	Ref.	Part No.	Qty.	Description
1	1506-512	1	Frame, Main	17	8428-002	2	Nut, Lock
2	0509-016	4	Headlight Assembly - Right (inc. 3-4)	18	1506-429	1	Brace, A-Arm
	0509-018	4	Headlight Assembly - Left (inc. 3-4)	19	8409-025	2	Screw, Cap
3	0409-055	4	⌀ Bulb, Headlight	20	1406-030	1	Panel, Belly
4	0423-452	4	⌀ Socket, Mounting	21	1506-067	1	Foam, Frame
5	0423-515	4	Stud, Mounting - Headlight	22	0406-289	1	Pad, Frame
6	0423-514	2	Stud, Adjuster - Headlight	23	8424-802	4	Nut, Flange
7	0423-522	2	Spring, Adjuster	24	8409-016	4	Screw, Cap
8	0423-513	2	Knob, Adjuster	25	1506-380	1	Footrest - Right
9	8409-020	4	Screw, Cap		1506-379	1	Footrest - Left
10	0506-653	1	Channel, Bumper Mounting - Right	26	1406-298	2	Rod, Support
	1506-596	1	Channel, Bumper Mounting - Left	27	AC003-009	1	Headlight Assy. NIOX Left
11	1506-562	1	Bracket, Mounting - Bumper - Right	28	AC003-010	1	Headlight Assy. NIOX Right
	1506-563	1	Bracket, Mounting - Bumper - Left	29	AC003-145	1	Indicator, Left
12	8408-816	6	Screw, Cap	30	AC003-146	1	Indicator, Right
13	1506-195	1	Bumper	31	AC008-751	1	Mirror, Left
14	1406-360	1	Grille, Bumper	32	AC008-752	1	Mirror, Right
15	8477-616	2	Screw, Machine	33	AC008-753	1	Mirror Mounting Left
16	0423-101	14	Screw, Body	34	AC008-754	1	Mirror Mounting Right



FRAME AND RELATED PARTS (LE)

0739-953

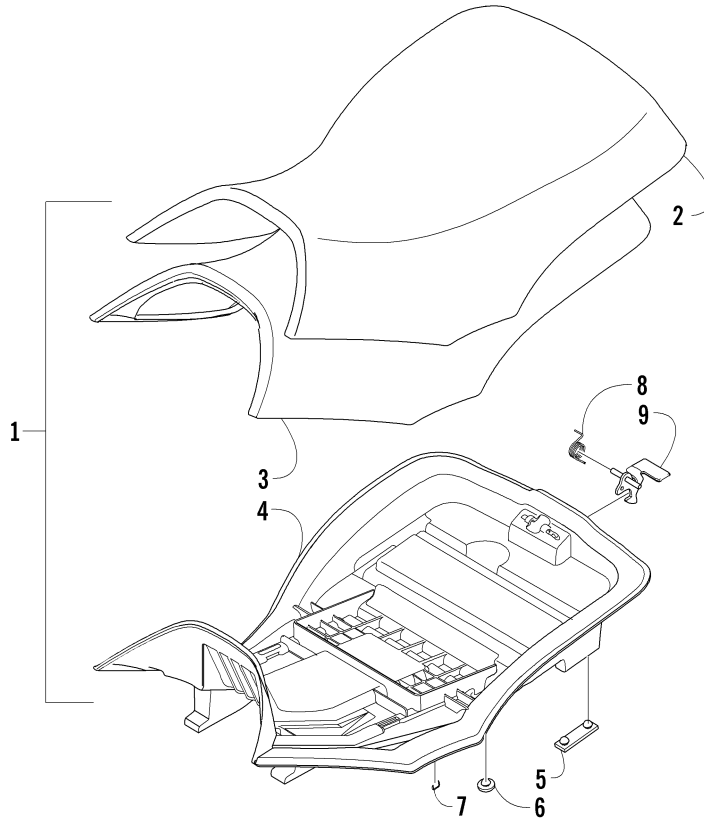
Ref.	Part No.	Qty.	Description	Ref.	Part No.	Qty.	Description
1	<u>1506-512</u>	1	Frame, Main	15	8424-805	2	Nut, Lock
2	<u>0509-016</u>	1	Headlight Assembly - Right (inc. 3-4)	16	<u>1506-667</u>	2	Strap, Bumper Support
	<u>0509-018</u>	1	Headlight Assembly - Left (inc. 3-4)	17	8468-845	2	Screw, Machine
3	<u>0409-055</u>	4	ø Bulb, Headlight	18	8428-002	2	Nut, Lock
4	<u>0423-452</u>	4	ø Socket, Mounting	19	<u>1506-429</u>	1	Brace, A-Arm
5	<u>0423-515</u>	4	Stud, Mounting - Headlight	20	8409-025	2	Screw, Cap
6	<u>0423-514</u>	2	Stud, Adjuster - Headlight	21	1406-425	1	Panel, Belly
7	<u>0423-522</u>	2	Spring, Adjuster	22	0423-101	14	Screw, Body
8	<u>0423-513</u>	2	Knob, Adjuster	23	<u>1506-615</u>	1	Bumper, Rear (inc. 24)
9	8409-020	4	Screw, Cap	24	0406-130	4	ø Cap, Bumper
10	0506-653	1	Channel, Bumper Mounting - Right	25	8424-802	8	Nut, Flange
	<u>1506-596</u>	1	Channel, Bumper Mounting - Left	26	1506-067	1	Foam, Frame
11	<u>1506-562</u>	1	Bracket, Mounting - Bumper - Right	27	0406-289	1	Pad, Frame
	<u>1506-563</u>	1	Bracket, Mounting - Bumper - Left	28	8409-016	4	Screw, Cap
12	8408-816	10	Screw, Cap	29	<u>1506-380</u>	1	Footrest - Right
13	<u>1506-666</u>	1	Bumper (inc. 14)		<u>1506-379</u>	1	Footrest - Left
14	<u>0411-814</u>	1	ø Decal, "Arctic Cat"	30	1406-298	2	Rod, Support



WINCH ASSEMBLY (LE)

0739-922R

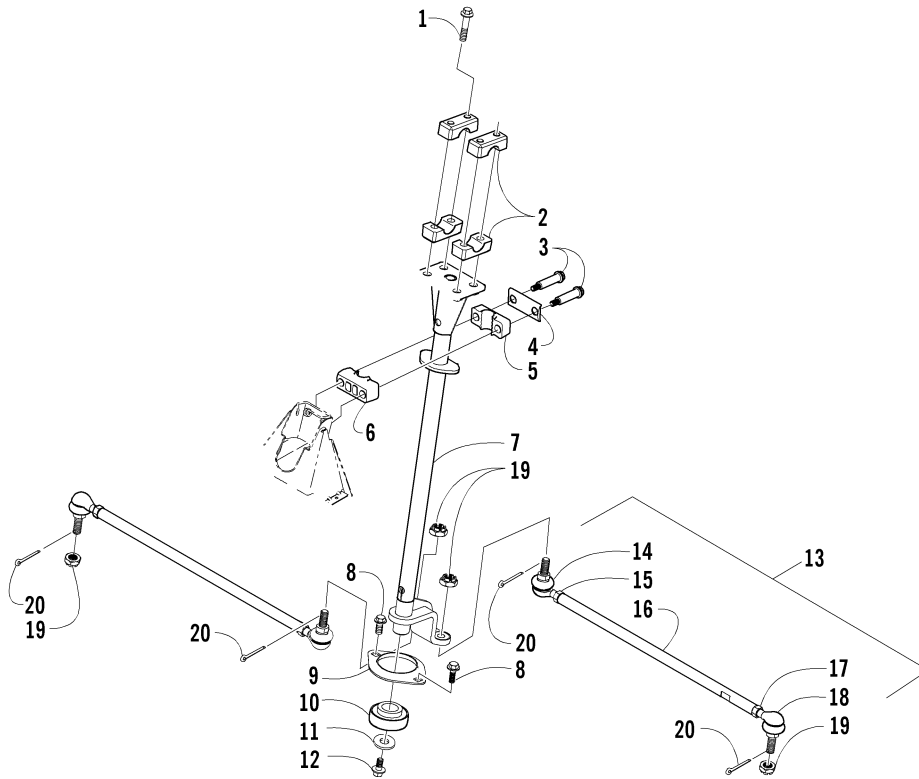
Ref.	Part No.	Qty.	Description	Ref.	Part No.	Qty.	Description
1	0441-490	1	Winch (inc. 2-3)	13	<u>1441-112</u>	1	Cable, Solenoid/Battery - Black
2	0441-061	1	ø Cable, Winch	14	<u>1441-113</u>	1	Cable, Solenoid/Battery - Red
3	0441-426	1	ø Hook, Winch	15	0441-060	6	Boot, Terminal
4	0441-403	1	Roller, Winch (inc. 5)	16	<u>0409-066</u>	1	Solenoid (inc. 17-18)
5	0411-474	1	ø Decal, Warning - Roller	17	0623-038	6	Nut w/Washer
6	8468-820	2	Screw, Machine	18	8476-625	2	Screw, Machine
7	8051-246	4	Washer, Lock	19	<u>0409-065</u>	1	Switch, Control
8	1623-131	4	Screw, Cap	20	0409-034	1	Holder, Control Switch
9	0411-433	1	Decal, Winch	21	0409-040	1	Cover, Switch
10	<u>1441-111</u>	1	Cable, Winch/Solenoid - Yellow	22	8051-212	1	Washer
11	<u>1441-110</u>	1	Cable, Winch/Solenoid - Blue	23	0423-382	1	Screw, Self-Tapping
12	0123-788	AR	Cable Tie - 7.5 in.	24	0623-204	2	Screw, Machine



SEAT ASSEMBLY

0739-690

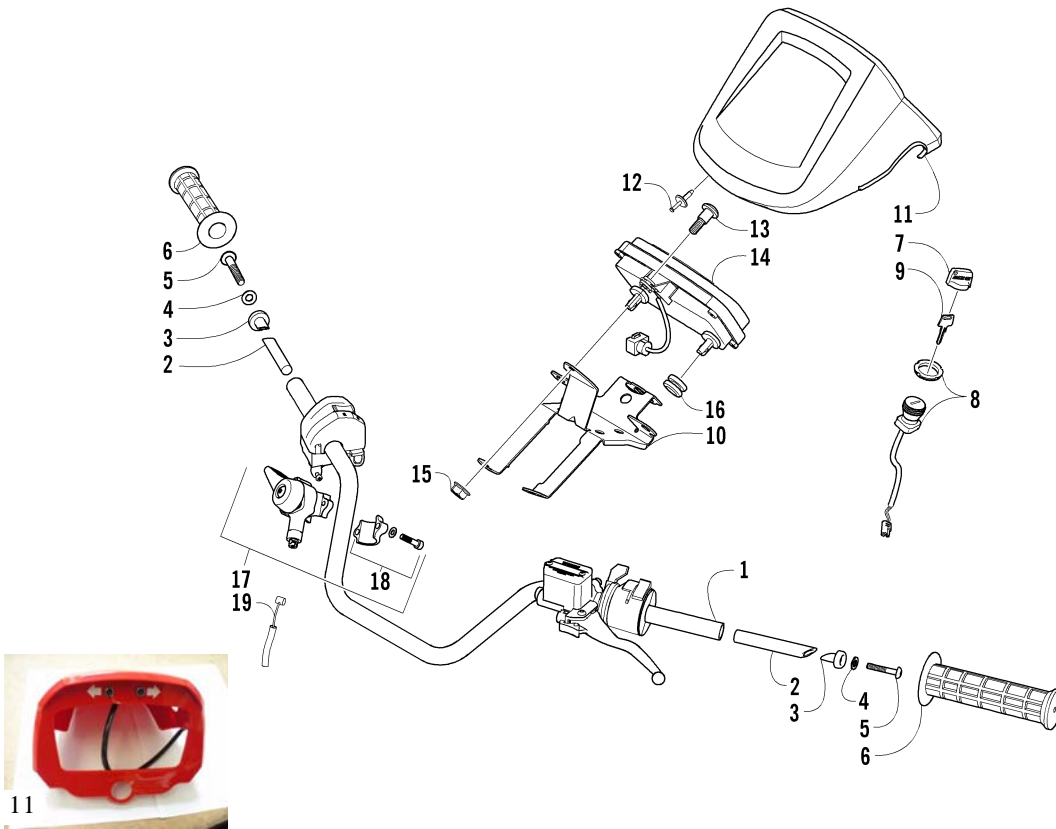
Ref.	Part No.	Qty.	Description	Ref.	Part No.	Qty.	Description
1	<u>1506-207</u>	1	Seat Assembly (inc. 2-9)	6	0406-877	4	ø ø Bumper, Seat - Front
2	<u>1506-209</u>	1	ø Cover, Seat	7	0624-528	AR	ø Staple
3	<u>1506-208</u>	1	ø Foam, Seat	8	<u>1406-592</u>	1	ø Spring, Seat Latch
4	<u>1406-362</u>	1	ø Base, Seat Assembly (inc. 5-6)	9	<u>1506-156</u>	1	ø Latch, Seat
5	0406-879	2	ø ø Bumper, Seat - Rear				



STEERING POST ASSEMBLY

0739-774

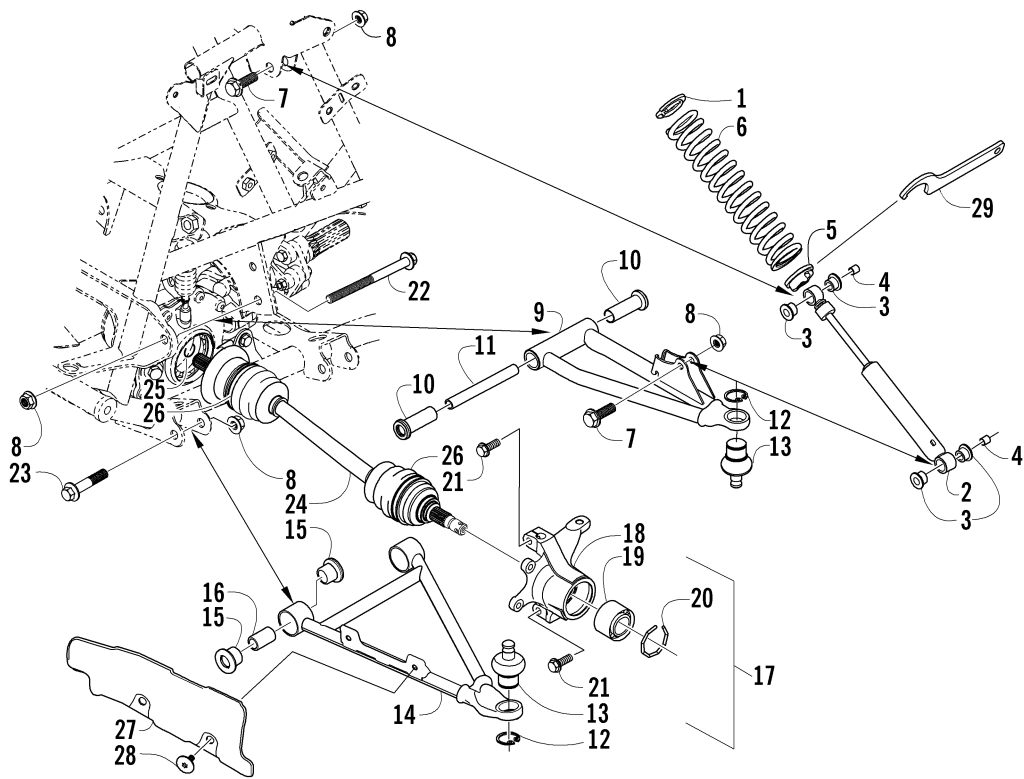
Ref.	Part No.	Qty.	Description	Ref.	Part No.	Qty.	Description
1	8408-860	4	Screw, Cap	11	0423-073	1	Washer
2	0405-035	4	Cap, Steering Adjuster	12	8409-020	1	Screw, Cap
3	0423-505	2	Screw, Shoulder	13	0505-408	2	Tie Rod - Assembly (inc. 14-18)
4	0405-166	1	Cap, Housing	14	0405-083	2	∅ Ball Joint, Tie Rod - Left
5	0405-138	1	Housing, Lower	15	0423-013	2	∅ Nut - Left
6	0405-139	1	Housing, Upper	16	0405-107	2	∅ Tie Rod
7	0505-451	1	Post, Steering	17	8420-002	2	∅ Nut - Right
8	8408-816	2	Screw, Cap	18	0405-082	2	∅ Ball Joint, Tie Rod - Right
9	0602-233	1	Flange, Bearing	19	0423-157	4	Nut, Top Lock
10	0405-052	1	Bearing w/Inverted Oil Seal	20	0623-175	4	Pin, Cotter



HANDLEBAR ASSEMBLY

0739-775R

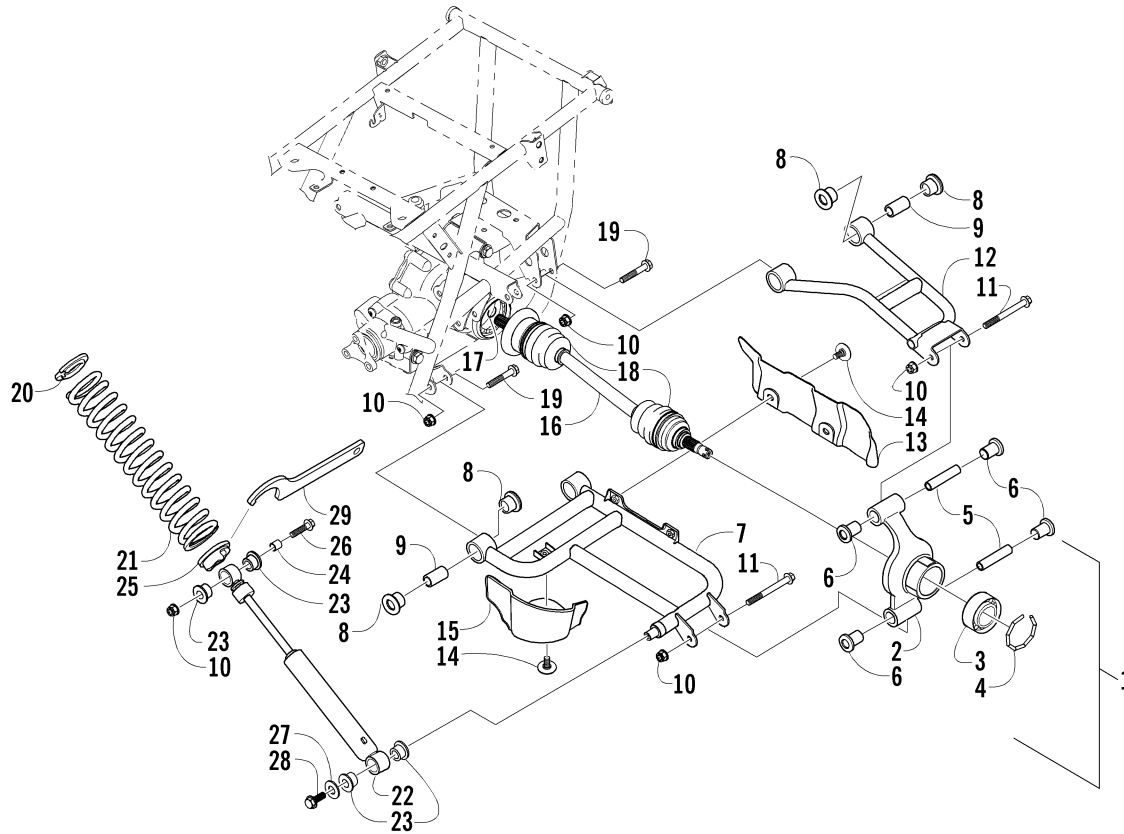
Ref.	Part No.	Qty.	Description	Ref.	Part No.	Qty.	Description
1	<u>0505-448</u>	1	Tube, Handlebar		0405-173	4	Instrument Pod (Cat-Green)
2	<u>0405-148</u>	2	Plug, Handlebar		AC005-024	1	Pod Speedo Assy. Red
3	<u>0405-149</u>	2	End Cap, Handlebar		AC005-025	1	Pod Speedo Assy. Green
4	8050-247	2	Washer		AC005-026	1	Pod Speedo Assy. Lime Green
5	8477-845	2	Screw, Machine		AC003-151	2	Control Indicator
6	<u>0405-147</u>	2	Grip, Handlebar	12	0623-362	2	Rivet, Reinstallable
7	0409-013	1	Cover, Key	13	0423-356	1	Screw, Shoulder
8	3430-040	1	Switch, Ignition - Assembly (inc. 9)	14	<u>0420-054</u>	1	Gauge, Digital
9	3409-007	1	ø Key, Ignition - Blank (C Series)	15	8424-602	1	Nut, Flange
	3409-011	1	ø Key, Ignition - Blank (D Series)	16	0423-448	2	Grommet
	3409-012	1	ø Key, Ignition - Blank (E Series)	17	<u>0502-527</u>	1	Control, Differential Lock (inc. 18)
	3409-013	1	ø Key, Ignition - Blank (F Series)	18	<u>0502-613</u>	1	ø Clamp, Differential Lock Control - Kit
10	<u>1506-592</u>	1	Bracket, Mounting - Instrument Pod	19	<u>0487-030</u>	1	Cable, Differential Lock
11	0405-171	4	Instrument Pod	20	0706-371	AR	Trim
	<u>0405-172</u>	4	Instrument Pod (Green)				



FRONT SUSPENSION ASSEMBLY

0739-603 *Not a Service Part

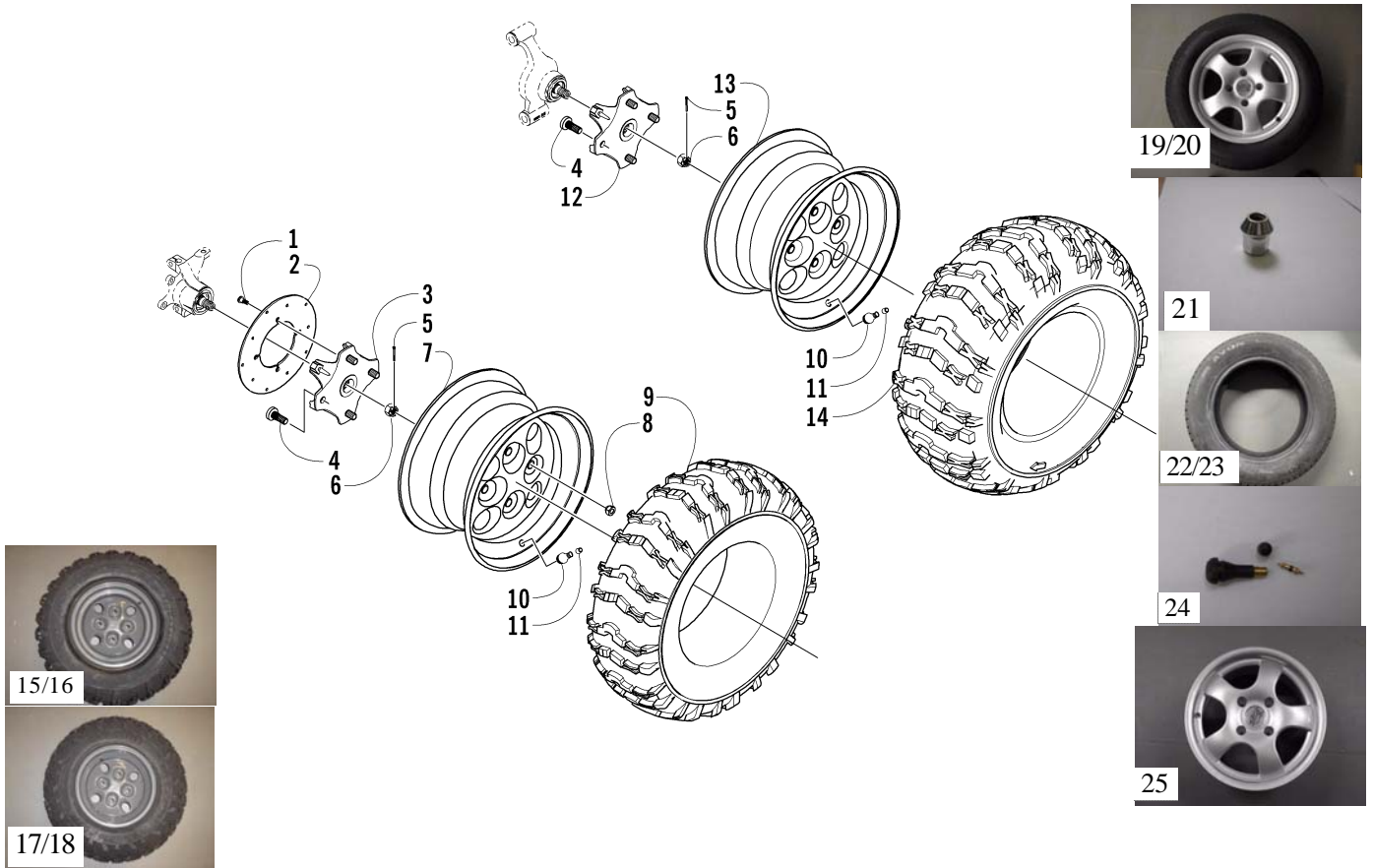
Ref.	Part No.	Qty.	Description	Ref.	Part No.	Qty.	Description
1	1603-889	2	Retainer, Spring	15	0403-115	8	ø Bushing
2	0403-127	2	Shock Absorber - Front (inc. 3-4)	16	0403-114	4	ø Collar
3	0604-310	8	ø Bushing, Shock Absorber	17	<u>0505-446</u>	1	Knuckle - Assembly - Right (inc. 18-20)
4	0403-028	4	ø Sleeve, Shock		<u>0505-447</u>	1	Knuckle - Assembly - Left (inc. 18-20)
5	0403-102	2	Cam, Spring Adjuster	18	*	1	ø Knuckle, Steering - Right
6	0403-129	2	Spring, Shock Absorber - Platinum		*	1	ø Knuckle, Steering - Left
	0403-128	2	Spring, Shock Absorber - Black (Green)	19	1402-027	2	ø Bearing, Wheel Hub
7	8409-040	4	Screw, Cap	20	0423-423	2	ø Ring, Retaining
8	8428-002	10	Nut, Lock	21	8409-030	4	Screw, Cap
9	<u>0503-272</u>	1	A-Arm, Upper Right - Platinum (inc. 10-13)	22	0423-334	2	Screw, Cap
	<u>0503-273</u>	1	A-Arm, Upper Left - Platinum (inc. 10-13)	23	8409-075	4	Screw, Cap
	<u>0503-196</u>	1	A-Arm, Upper Right - Black (inc. 10-13) (Green)	24	<u>0502-542</u>	1	Axle, Drive - Front - Right (inc. 25-26)
	<u>0503-197</u>	1	A-Arm, Upper Left - Black (inc. 10-13) (Green)		<u>0502-547</u>	1	Axle, Drive - Front - Left (inc. 25-26)
10	0403-081	4	ø Bushing	25	0441-400	2	ø Clip, Retaining
11	0403-080	2	ø Collar	26	0436-276	2	ø Repair Kit, Boot - Front Axle
12	0423-009	4	ø Clip, Ball Joint	27	<u>0441-752</u>	1	Guard, Boot - Axle - Right
13	0405-115	4	ø Ball Joint - Front		<u>0441-753</u>	1	Guard, Boot - Axle - Left
14	<u>0503-268</u>	1	A-Arm, Lower Right - Platinum (inc. 12-13 and 15-16)		<u>1441-002</u>	1	Guard, Boot - Axle - Right (Green)
	<u>0503-269</u>	1	A-Arm, Lower Left - Platinum (inc. 12-13 and 15-16)		<u>1441-003</u>	1	Guard, Boot - Axle - Left (Green)
	<u>0503-220</u>	1	A-Arm, Lower Right - Black (inc. 12-13 and 15-16) (Green)		<u>0441-756</u>	1	Guard, Boot - Axle - Right (Cat Green)
	<u>0503-221</u>	1	A-Arm, Lower Left - Black (inc. 12-13 and 15-16) (Green)		<u>0441-757</u>	1	Guard, Boot - Axle - Left (Cat Green)
				28	0423-101	4	Screw, Body
				29	0441-587	1	Wrench, Spanner



REAR SUSPENSION ASSEMBLY

0739-532 *Not a Service Part

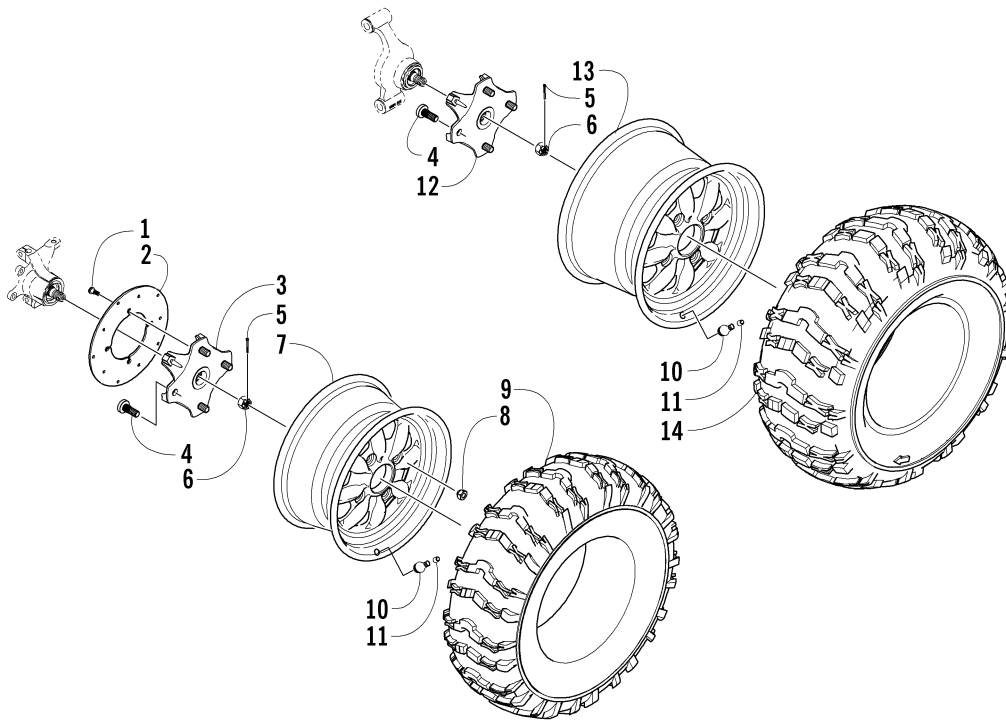
Ref.	Part No.	Qty.	Description	Ref.	Part No.	Qty.	Description
1	0504-312	1	Knuckle, Right Rear - Assembly (inc. 2-6)	13	<u>0441-754</u>	1	Guard, Boot - Right
	0504-313	1	Knuckle, Left Rear - Assembly (inc. 2-6)		<u>0441-755</u>	1	Guard, Boot - Left
2	*	1	ø Knuckle - Right		<u>1441-004</u>	1	Guard, Boot - Right (Green)
	*	1	ø Knuckle - Left		<u>1441-005</u>	1	Guard, Boot - Left (Green)
3	1402-027	2	ø Bearing, Wheel Hub		<u>0441-758</u>	1	Guard, Boot - Right (Cat Green)
4	0423-423	2	ø Ring, Retaining		<u>0441-759</u>	1	Guard, Boot - Left (Cat Green)
5	0403-038	4	ø Collar, Suspension Bushing	14	0423-101	6	Screw, Body
6	0403-032	8	ø Bushing, Suspension	15	1406-071	1	Guard, Boot - Right
7	<u>0504-326</u>	1	A-Arm, Rear - Lower Right - Platinum (inc. 8-9)		1406-072	1	Guard, Boot - Left
	<u>0504-327</u>	1	A-Arm, Rear - Lower Left - Platinum (inc. 8-9)	16	0502-596	2	Axle, Drive (inc. 17-18)
	0504-320	1	A-Arm, Rear - Lower Right - Black (inc. 8-9) (Green)	17	0441-400	2	ø Clip, Retaining
	0504-321	1	A-Arm, Rear - Lower Left - Black (inc. 8-9) (Green)	18	0436-276	2	ø Repair Kit, Boot - Rear Axle
8	0403-115	16	ø Bushing	19	8409-075	8	Screw, Cap
9	0403-114	8	ø Collar	20	1603-889	2	Retainer, Spring
10	8428-002	14	Nut, Lock	21	0404-074	2	Spring, Suspension - Platinum
11	8409-000	4	Screw, Cap		0404-065	2	Spring, Suspension - Black (Green)
12	<u>0504-330</u>	1	A-Arm, Rear - Upper Right - Platinum (inc. 8-9)	22	<u>0404-085</u>	2	Shock Absorber - Rear (inc. 23-24)
	<u>0504-331</u>	1	A-Arm, Rear - Upper Left - Platinum (inc. 8-9)	23	0604-310	8	ø Bushing, Shock Absorber
	0504-318	1	A-Arm, Rear - Upper Right - Black (inc. 8-9) (Green)	24	0403-028	2	ø Sleeve, Shock Absorber
	0504-319	1	A-Arm, Rear - Upper Left - Black (inc. 8-9) (Green)	25	0404-057	2	Cam, Spring Adjuster
				26	8409-040	2	Screw, Cap
				27	0423-087	2	Washer
				28	8408-820	2	Screw, Cap
				29	0441-587	1	Wrench, Spanner



WHEEL AND TIRE ASSEMBLY

0739-534

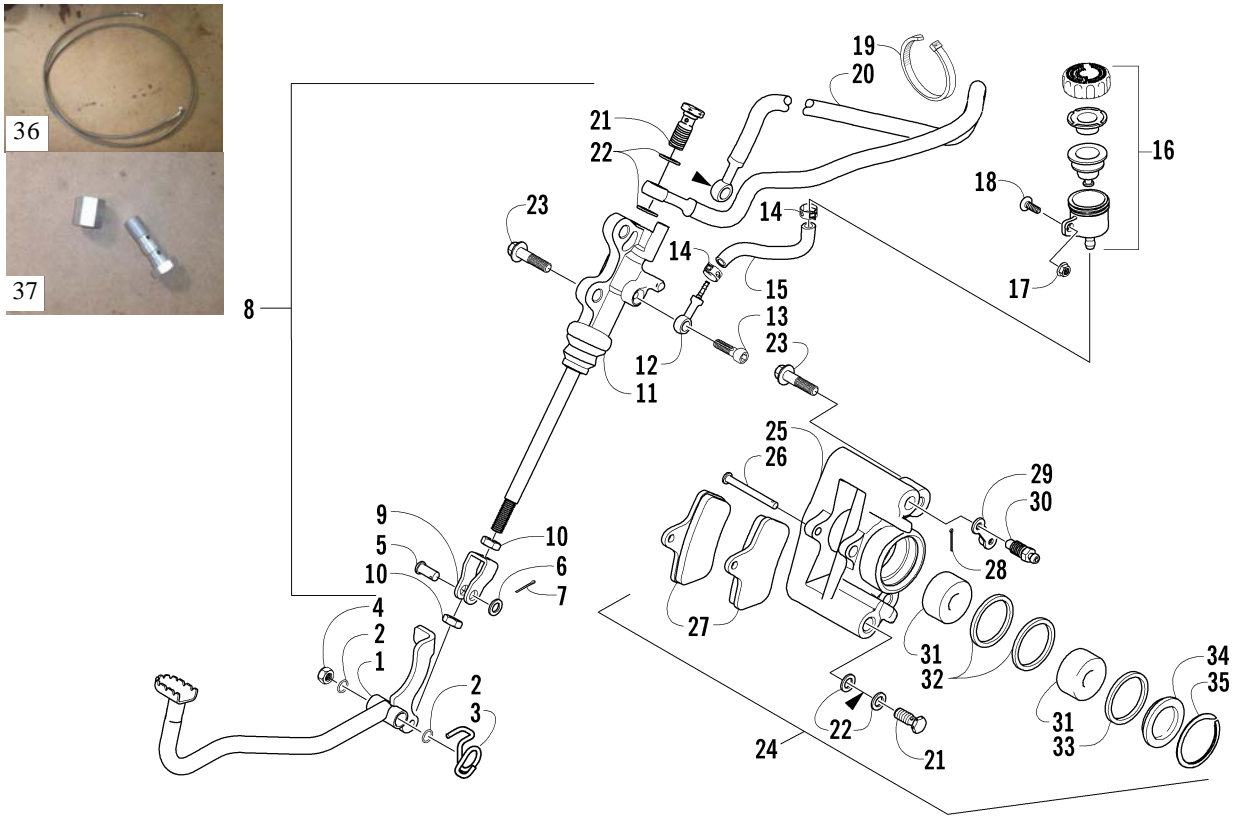
Ref.	Part No.	Qty.	Description	Ref.	Part No.	Qty.	Description
1	0423-029	12	Screw, Machine	14	0402-858	2	Wheel - Rear - Gray (Green)
2	1402-225	3	Disc, Brake	14	1402-137	2	Tire - Rear
3	0502-599	2	Hub, Wheel - Front (inc. 4)	15	0502-464	1	Wheel Assy. Gray RH 25x8-12
4	0402-974	16	ø Stud, Wheel Hub	16	0502-465	1	Wheel Assy. Gray LH 25x8-12
5	0423-407	4	Pin, Cotter	17	0502-505	1	Wheel Assy. Gray RH 25x11-12
6	0423-394	4	Nut, Castle	18	0502-506	1	Wheel Assy. Gray LH 25x11-12
7	1402-127	2	Wheel - Front - Platinum	19	AC007-203	2	Wheel Assy. Onroad Front (inc. 22, 24, 25)
	0402-856	2	Wheel - Front - Gray (Green)	20	AC007-216	2	Wheel Assy. Onroad Rear (inc. 23-25)
8	0423-408	16	Nut, Mounting - Wheel	21	AC007-217	16	Nut, Aluminium Rim Silver
9	1402-100	2	Tire - Front	22	AC007-202	1	Road Tire 185/65-15
10	0402-064	4	Stem, Valve (inc. 11)	23	AC007-215	1	Road Tire 205/60-15
11	0402-140	4	ø Cap, Valve Stem	24	AC007-209	1	Valve Wheel, Road Tire
12	0502-601	1	Hub, Wheel - Rear - Left (inc. 4)	25	AC007-221	1	Aluminium Rim Silver
	0502-599	1	Hub, Wheel - Rear - Right (inc. 4)				
13	1402-115	2	Wheel - Rear - Platinum				



WHEEL AND TIRE ASSEMBLY (LE)

0739-831R

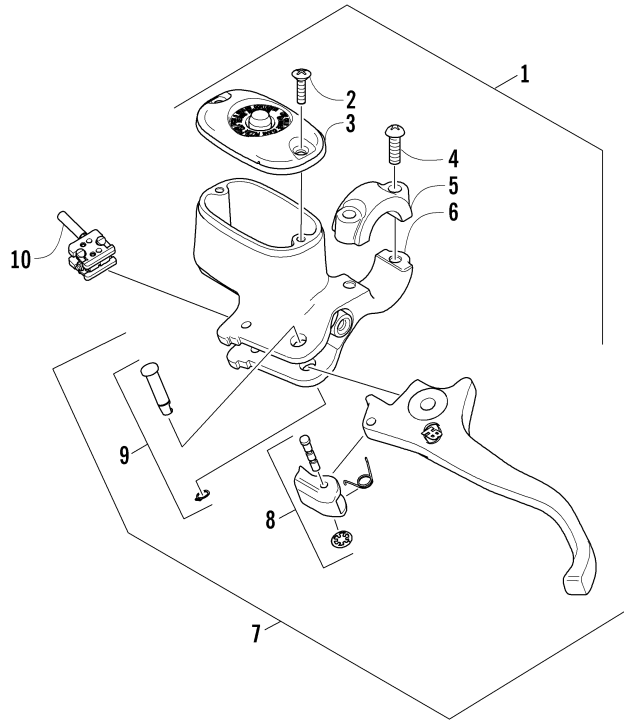
Ref.	Part No.	Qty.	Description	Ref.	Part No.	Qty.	Description
1	0423-029	12	Screw, Machine	9	0423-556	16	Nut, Mounting - Wheel
2	1402-225	3	Disc, Brake	10	0402-064	4	Stem, Valve (inc. 11)
3	0502-599	2	Hub, Wheel - Front (inc. 4)	11	0402-140	4	ø Cap, Valve Stem
4	0402-974	16	ø Stud, Wheel Hub	12	0502-601	1	Hub, Wheel - Rear - Left (inc. 4)
5	0423-407	4	Pin, Cotter		0502-599	1	Hub, Wheel - Rear - Right (inc. 4)
6	0423-394	4	Nut, Castle	13	1402-287	2	Wheel - Rear - Spoked (inc. two No. 8)
7	1402-286	2	Wheel - Front - Spoked (inc. two No. 8)	14	1402-100	2	Tire - Front
8	1402-325	4	ø Cap, Wheel	15	1402-101	2	Tire - Rear



AUXILIARY BRAKE ASSEMBLY

0739-792 *Not a Service Part

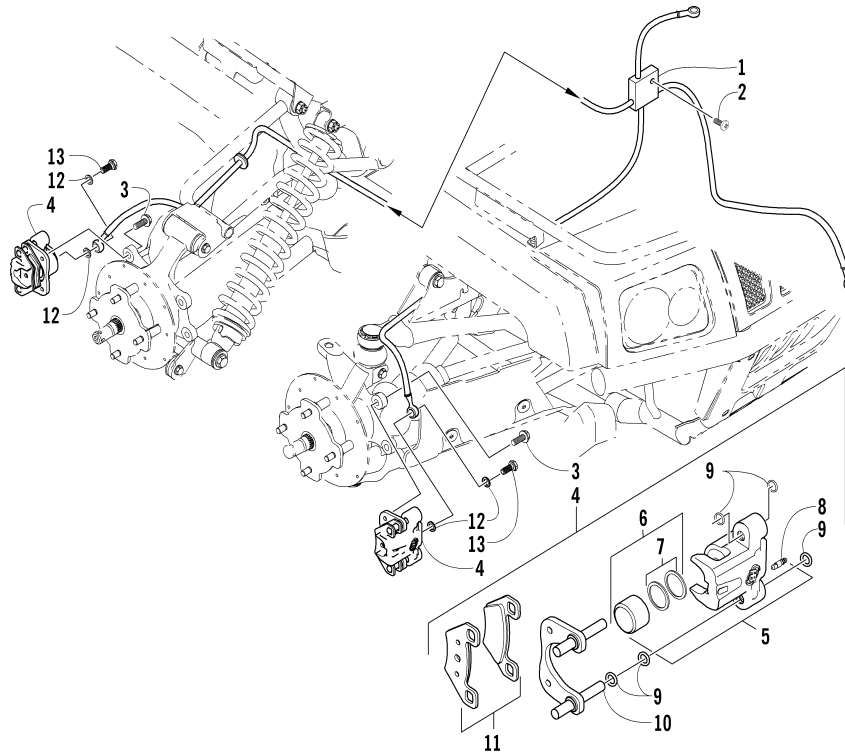
Ref.	Part No.	Qty.	Description	Ref.	Part No.	Qty.	Description
1	<u>0502-656</u>	1	Lever, Brake	20	1402-200	1	Hose, Brake
2	1602-213	2	O-Ring	21	0423-413	2	Bolt, Banjo Fitting
3	<u>0502-713</u>	1	Spring, Brake Lever	22	0423-178	4	Washer, Crush
4	8422-002	1	Nut	23	8408-825	4	Screw, Cap
5	0402-575	1	Pin, Clevis	24	<u>0502-457</u>	1	Caliper, Brake (inc. 25-35)
6	0402-583	1	Washer	25	*	1	∅ Housing, Caliper
7	0402-584	1	Pin, Cotter	26	0402-495	1	∅ Pin, Brake Caliper
8	<u>0502-665</u>	1	Brake Assembly (inc. 9-16)	27	<u>1402-126</u>	2	∅ Pad, Brake
9	0402-580	1	∅ Actuator, Push Rod	28	0423-495	1	∅ Pin, Cotter
10	0402-592	2	∅ Nut, Jam	29	0402-493	1	∅ Cap, Bleed Valve
11	*	1	∅ Master Cylinder	30	<u>1402-123</u>	1	∅ Valve, Bleed
12	<u>1402-277</u>	1	∅ Fitting, Banjo	31	<u>1402-125</u>	2	∅ Piston
13	<u>1402-278</u>	1	∅ Bolt, Banjo Fitting	32	0402-980	2	∅ O-Ring, Brake Caliper
14	<u>0423-525</u>	2	∅ Clamp, Hose	33	*	1	∅ O-Ring
15	<u>1402-266</u>	1	∅ Hose, Brake Reservoir	34	*	1	∅ Plug
16	<u>1402-257</u>	1	∅ Reservoir, Brake	35	*	1	∅ Ring, Retaining
17	8424-602	1	Nut, Flanged	36	AC002-252	1	Hose Brake 500/650
18	8476-616	1	Screw, Machine	37	AC002-254	1	Double Sealing Screw
19	0123-788	1	Cable Tie 7.5 in.				



HYDRAULIC HAND BRAKE ASSEMBLY

0739-479R

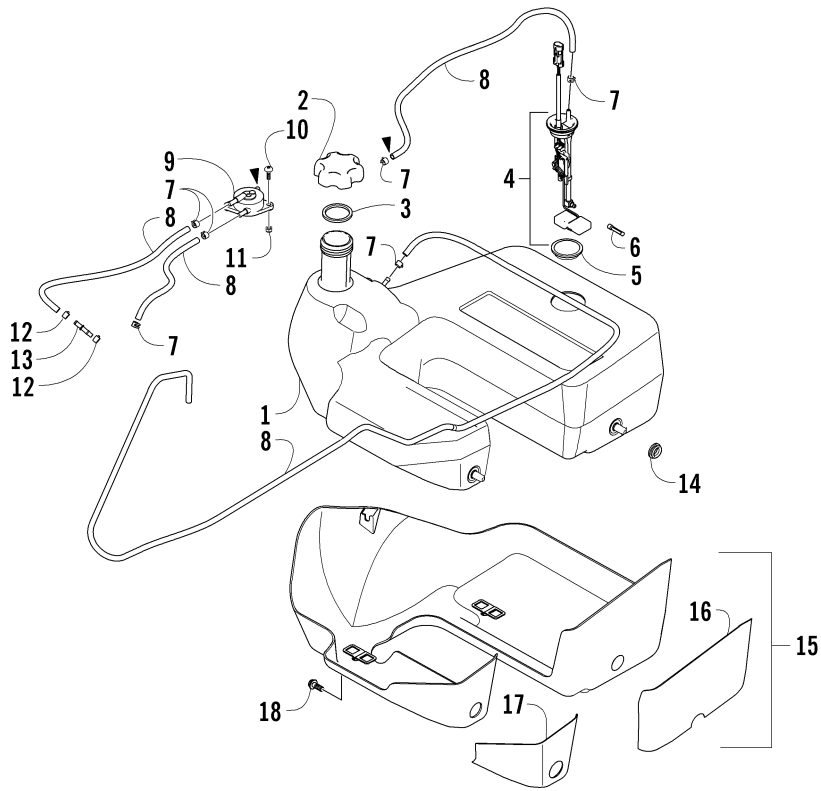
Ref.	Part No.	Qty.	Description	Ref.	Part No.	Qty.	Description
1	<u>0502-703</u>	1	Brake Assembly (inc. 2-10)	8	<u>0502-635</u>	1	∅ ∅ Lock, Brake Lever - Kit
2	<u>0502-566</u>	1	∅ Screw, Reservoir Cover - Kit	9	<u>0502-580</u>	1	∅ ∅ Lever Pin - Kit
3	<u>0502-706</u>	1	∅ Cover, Reservoir - Kit	10	<u>0502-564</u>	1	∅ Switch, Brake - Kit
4	<u>0502-568</u>	1	∅ Screw, Master Cylinder Clamp - Kit	11	<u>0423-178</u>	2	Washer, Crush
5	<u>0502-705</u>	1	∅ Clamp, Master Cylinder - Kit	12	<u>0423-413</u>	1	Bolt, Banjo Fitting
6	<u>0502-704</u>	1	∅ Master Cylinder Assembly - Kit	13	AC002-032	1	Protection Ball, Lever Brake
7	<u>0502-634</u>	1	∅ Lever Assembly - Kit (inc. 8-9)				



HYDRAULIC BRAKE ASSEMBLY

0739-796R

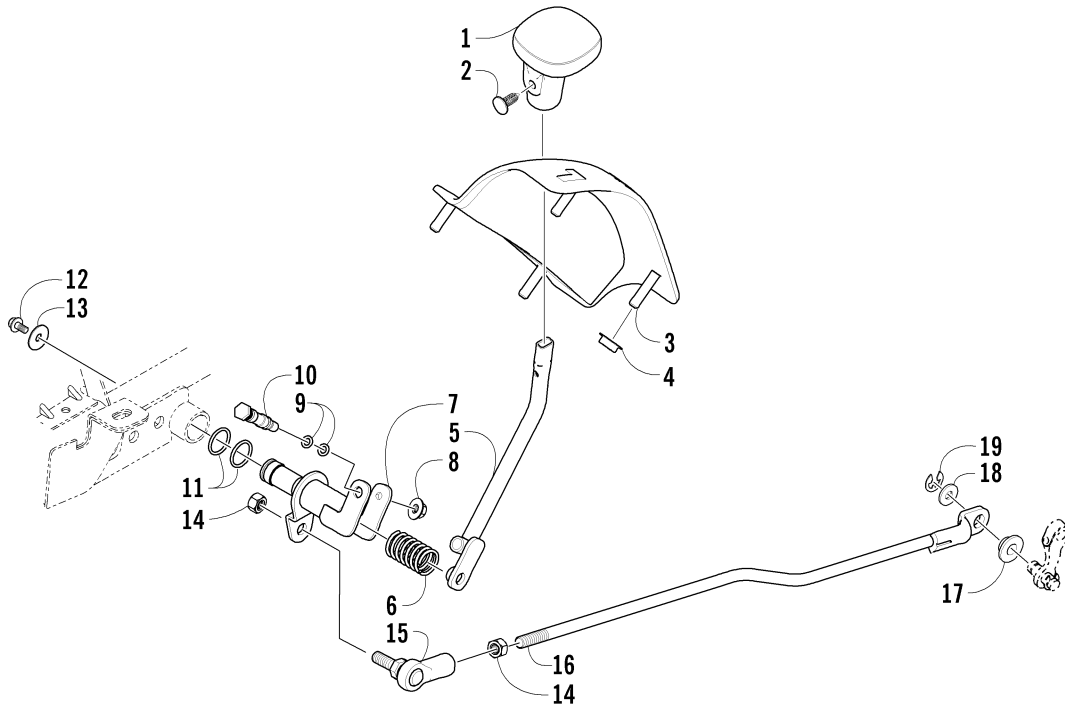
Ref.	Part No.	Qty.	Description	Ref.	Part No.	Qty.	Description
1	0502-627	1	Hose, Brake - Assembly	6	0502-606	3	∅ ∅ Piston/Seal Set (inc. 7)
2	8476-625	1	Screw, Cap	7	0502-607	3	∅ ∅ ∅ Seal Set
3	8408-820	6	Screw, Cap	8	0502-609	3	∅ ∅ Valve, Bleed
4	0502-602	1	Caliper, Brake - Right Front (inc. 5-11)	9	0502-608	3	∅ O-Ring, Guide - Set
	0502-610	2	Caliper, Brake - Left Front and Right Rear (inc. 5-11)	10	0502-605	3	∅ Bracket Assembly
5	0502-603	1	∅ Housing, Caliper - Assembly - Right Front (inc. 6-8)	11	0502-604	3	∅ Pad, Brake - Set
	0502-611	2	∅ Housing, Caliper - Assembly - Left Front and Right Rear (inc. 6-8)	12	0423-178	6	Washer, Crush
				13	0423-413	3	Bolt, Banjo Fitting
				14	0423-562	4	Spacer



GAS TANK ASSEMBLY

0739-695R

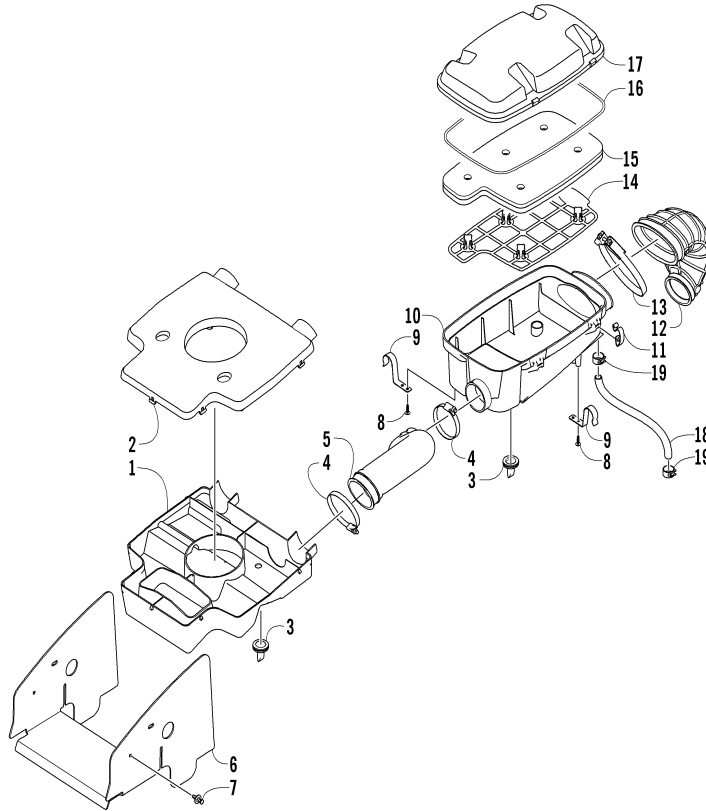
Ref.	Part No.	Qty.	Description	Ref.	Part No.	Qty.	Description
1	<u>0570-096</u>	1	Tank, Gas - Assembly (inc. 2-8)	11	<u>0470-519</u>	1	Pump, Fuel
2	0470-438	1	ø Cap, Gas Tank (inc. 3)	12	8476-620	2	Screw, Machine
3	0109-733	1	ø ø Gasket, Tank Cap	13	8422-602	2	Nut, Lock
4	<u>0570-098</u>	1	ø Sensor, Fuel Level (inc. 5-6)	14	<u>1623-233</u>	4	Clamp, Hose
5	<u>0470-521</u>	1	ø ø Seal, Fuel Level Sensor	15	<u>0470-527</u>	1	Fitting, Straight
6	<u>0470-475</u>	1	ø ø Filter, Fuel	16	0423-460	2	Grommet
7	<u>0470-546</u>	1	ø Plate, Mounting - Fuel Level Sensor	17	0570-081	1	Shield, Gas Tank (inc. 18-19)
8	1623-158	4	ø Screw, Self-Tapping	18	0470-499	1	ø Shield, Heat
9	0423-461	4	Clamp, Hose	19	0470-498	1	ø Shield, Heat
10	0410-070	AR	Hose, Gasline - 25 ft	20	8408-816	2	Screw, Cap



REVERSE SHIFT LEVER ASSEMBLY

0739-701

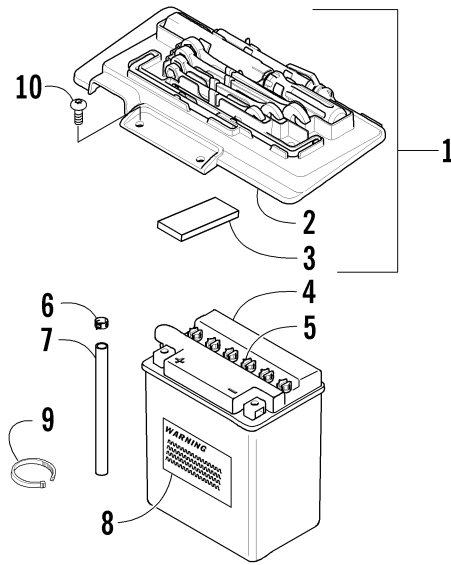
Ref.	Part No.	Qty.	Description	Ref.	Part No.	Qty.	Description
1	0402-843	1	Handle, Reverse Shift Lever	11	0423-299	2	O-Ring
2	0423-345	1	Clip, Push	12	8408-812	1	Screw, Cap
3	1402-110	1	Plate, Shift	13	0423-087	1	Washer
4	0423-357	4	Nut, Stamped	14	0623-294	2	Nut
5	0502-659	1	Lever, Reverse Shift	15	1402-270	1	End, Rod
6	0502-410	1	Spring, Reverse Shift Lever	16	0502-669	1	Linkage, Shift
7	0502-742	1	Axle, Reverse Shift Lever	17	0423-091	1	Bushing, Shift Linkage
8	8424-602	1	Nut	18	8050-242	1	Washer
9	0423-182	2	O-Ring	19	0423-169	1	E-Ring
10	0402-675	1	Axle, Pivot				



AIR INTAKE ASSEMBLY

0739-706R

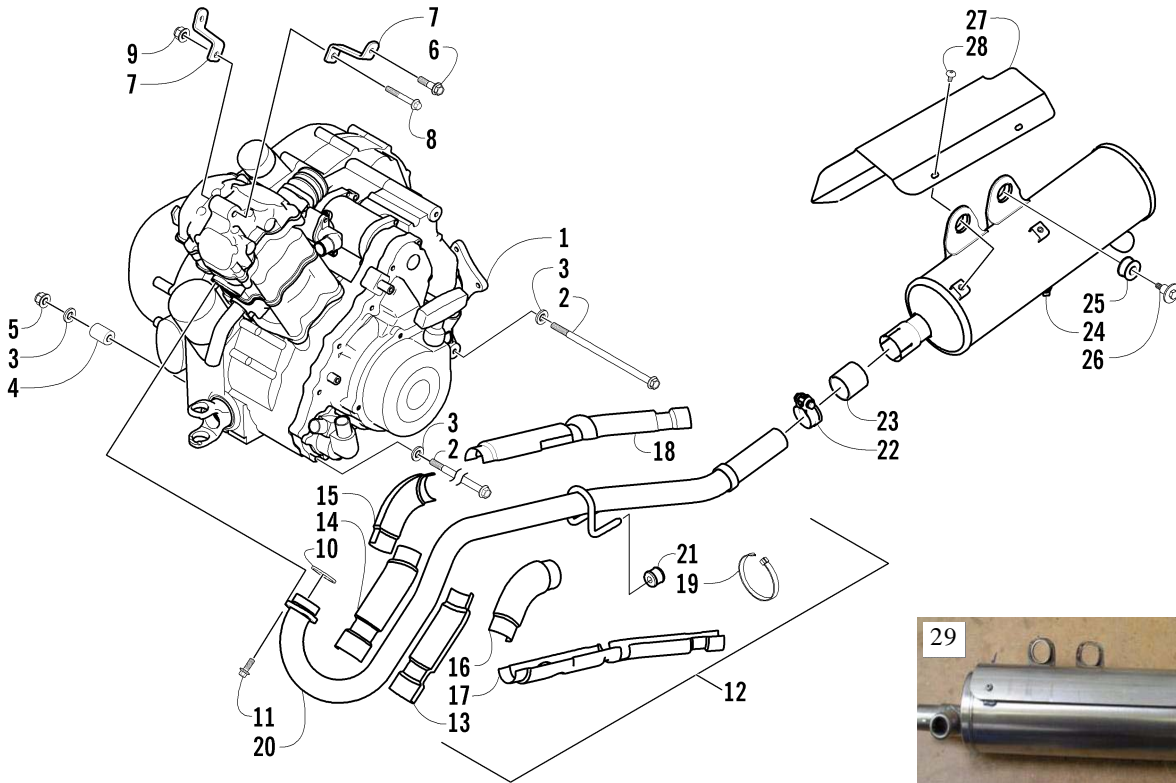
Ref.	Part No.	Qty.	Description	Ref.	Part No.	Qty.	Description
1	<u>0413-093</u>	1	Diverter, Air - Bottom	12	<u>0470-525</u>	1	Boot, Carburetor
2	<u>0413-091</u>	1	Diverter, Air - Top	13	<u>0423-554</u>	1	Clamp, Boot
3	<u>0470-442</u>	6	Valve, Drain	14	<u>0470-516</u>	1	Screen, Air Filter
4	<u>0423-380</u>	2	Clamp, Boot	15	<u>0470-494</u>	1	Filter, Air
5	<u>0470-529</u>	1	Boot, Air Intake	16	<u>0470-495</u>	1	Seal, Air Intake Cover
6	<u>1406-747</u>	1	Shroud, Splash	17	<u>0470-530</u>	1	Cover, Air Intake
7	<u>0623-362</u>	2	Rivet, Reinstallable	18	<u>0410-079</u>	1	Hose, Vent - Crankcase
8	<u>0423-342</u>	4	Screw, Self-Tapping	19	<u>0423-045</u>	2	Clamp, Hose
9	<u>0423-454</u>	2	Clip, Mounting - Air Intake	20	<u>0423-019</u>	1	Clamp, Boot
10	<u>0470-515</u>	1	Housing, Air Intake	21	<u>0470-533</u>	1	Carburetor
11	<u>0423-455</u>	4	Clip, Spring	22	<u>0510-592</u>	1	Hose, Carburetor Drain



BATTERY ASSEMBLY

0739-740 *Not Illustrated

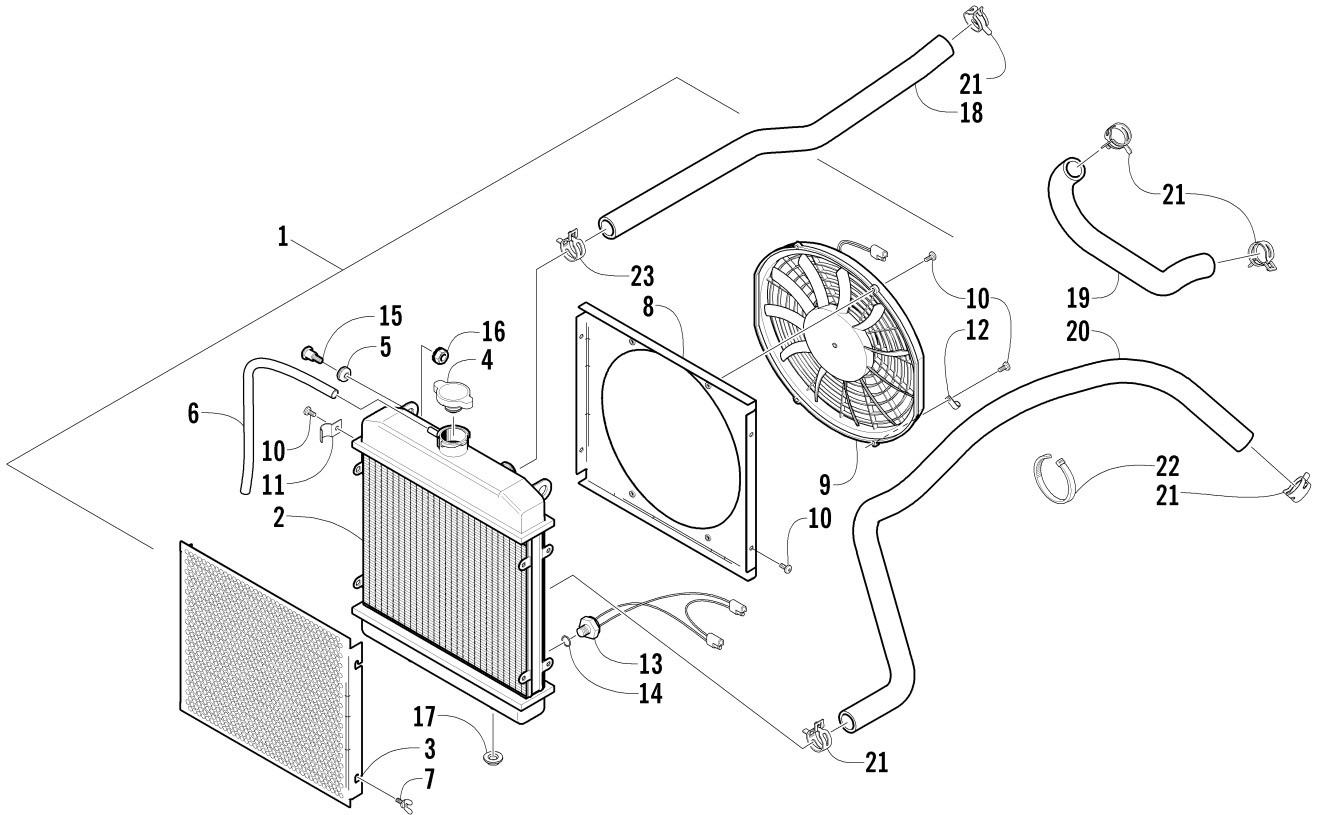
Ref.	Part No.	Qty.	Description	Ref.	Part No.	Qty.	Description
1	5990-839	1	Battery Cover/Tool Tray Assembly (inc. 2-3)	6	0645-152	1	ø Clamp, Hose
2	1406-507	1	ø Cover, Battery	7	0645-263	1	ø Hose, Battery Vent
3	0406-288	2	ø Pad, Battery	8	0645-151	1	ø Label, Warning - Battery
*	0444-122	1	Kit, Tool	9	0123-903	4	Cable Tie - 11.5 in.
4	0745-045	4	Battery Assembly (inc. 5-8)	10	8476-616	1	Screw, Machine
5	0645-045	6	ø Cap, Battery	11	AC003-005	1	Battery



ENGINE AND EXHAUST

0739-711

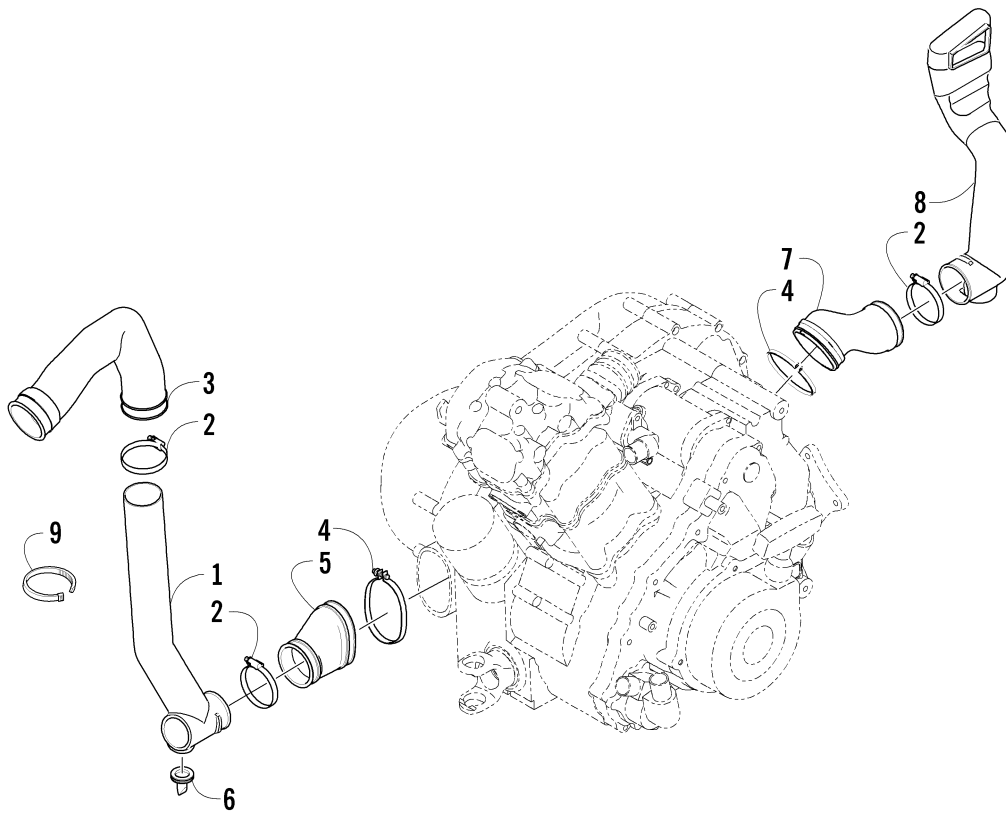
Ref.	Part No.	Qty.	Description	Ref.	Part No.	Qty.	Description
1	0462-029	1	Engine	15	<u>0412-261</u>	1	∅ Shield, Exhaust Pipe - Inner - Middle
2	0423-405	2	Screw, Cap	16	<u>0412-262</u>	1	∅ Shield, Exhaust Pipe - Outer - Middle
3	0423-426	4	Washer, Engine	17	<u>0412-264</u>	1	∅ Shield, Exhaust Pipe - Outer - Rear
4	0423-042	2	Spacer, Engine	18	<u>0412-263</u>	1	∅ Shield, Exhaust Pipe - Inner - Rear
5	8428-002	2	Nut, Lock	19	0423-317	5	∅ Clamp, Hose
6	8408-816	2	Screw, Cap	20	<u>0512-181</u>	1	∅ Pipe, Exhaust
7	<u>1506-632</u>	1	Bracket, Engine - Right	21	0412-215	2	Bushing, Exhaust Pipe
	<u>1506-633</u>	1	Bracket, Engine - Left	22	<u>0512-209</u>	4	Clamp, Muffler
8	8408-860	1	Screw, Cap	23	<u>0412-183</u>	4	Seal, Muffler
9	8424-802	3	Nut	24	<u>0512-180</u>	4	Muffler
10	0412-007	1	Seal, Exhaust	25	0412-253	2	Bushing, Muffler
11	8408-820	2	Screw, Cap	26	0423-476	2	Screw, Shoulder
12	<u>0512-214</u>	1	Pipe, Exhaust - Assembly (inc. 13-20)	27	<u>0412-242</u>	4	Cover, Muffler
13	<u>0412-260</u>	1	∅ Shield, Exhaust Pipe - Outer - Front	28	<u>8477-610</u>	4	Screw, Machine
14	<u>0412-259</u>	1	∅ Shield, Exhaust Pipe - Inner - Front	29	AC004-706	1	Exhaust ACE6 Stainless Steel



COOLING ASSEMBLY

0739-654

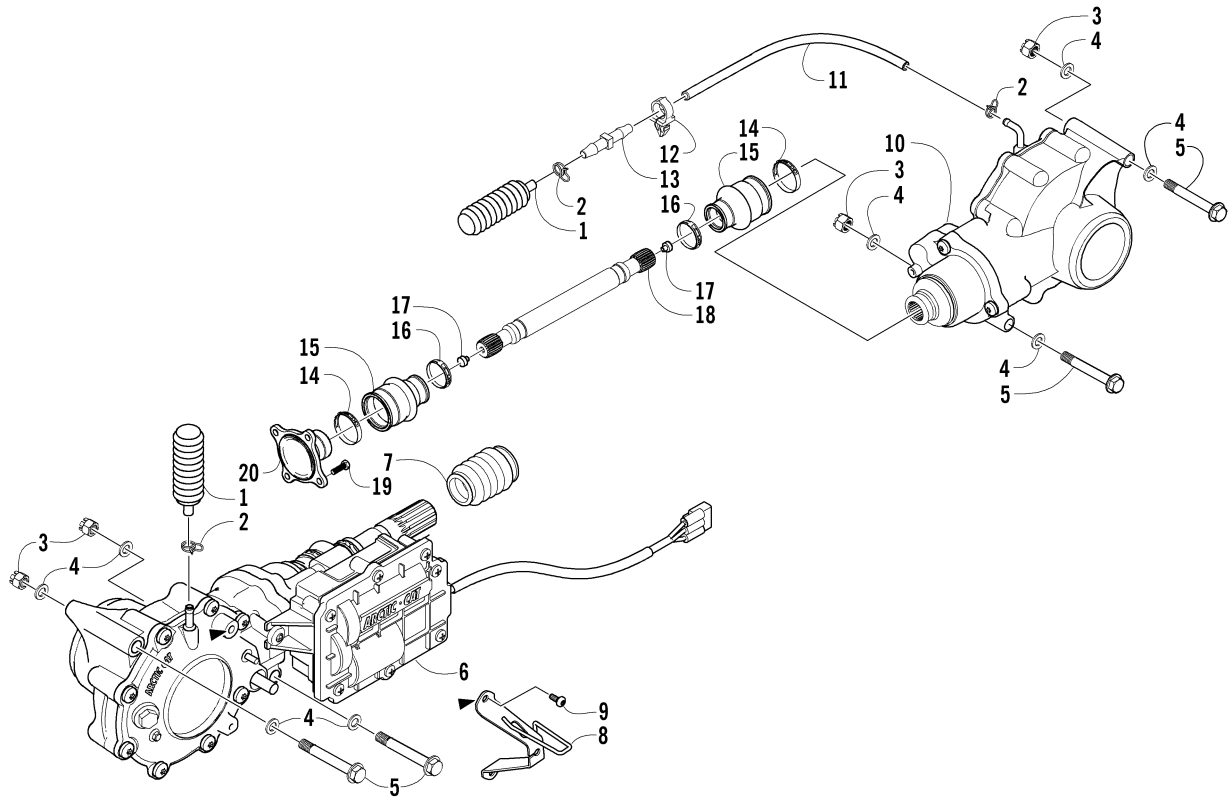
Ref.	Part No.	Qty.	Description	Ref.	Part No.	Qty.	Description
1	0413-038	1	Radiator Assembly (inc. 2-14)	12	0123-397	1	∅ Clamp, Cable
2	0413-043	1	∅ Radiator	13	0413-045	1	∅ Sender, Temperature - Coolant
3	0413-007	1	∅ Screen, Radiator	14	0423-390	1	∅ O-Ring
4	0413-002	1	∅ Cap, Radiator	15	0423-484	2	Screw, Shoulder
5	0423-030	2	∅ Grommet	16	0623-038	2	Nut w/Washer
6	0610-016	AR	∅ Hose - 25 ft	17	0423-028	2	Bushing, Stem
7	0413-009	4	∅ Screw, Thumb	18	0410-002	1	Hose, Coolant - Upper
8	0413-046	2	∅ Shroud, Fan	19	0410-022	1	Hose, Coolant - Crossover
9	0413-044	1	∅ Fan, Cooling	20	0410-041	1	Hose, Coolant - Lower
10	8475-512	8	∅ Screw, Machine	21	0423-496	6	Clamp, Hose
11	0423-351	1	∅ Clamp, Wire	22	0623-751	1	Cable Tie



CASE/BELT COOLING ASSEMBLY

0739-713R

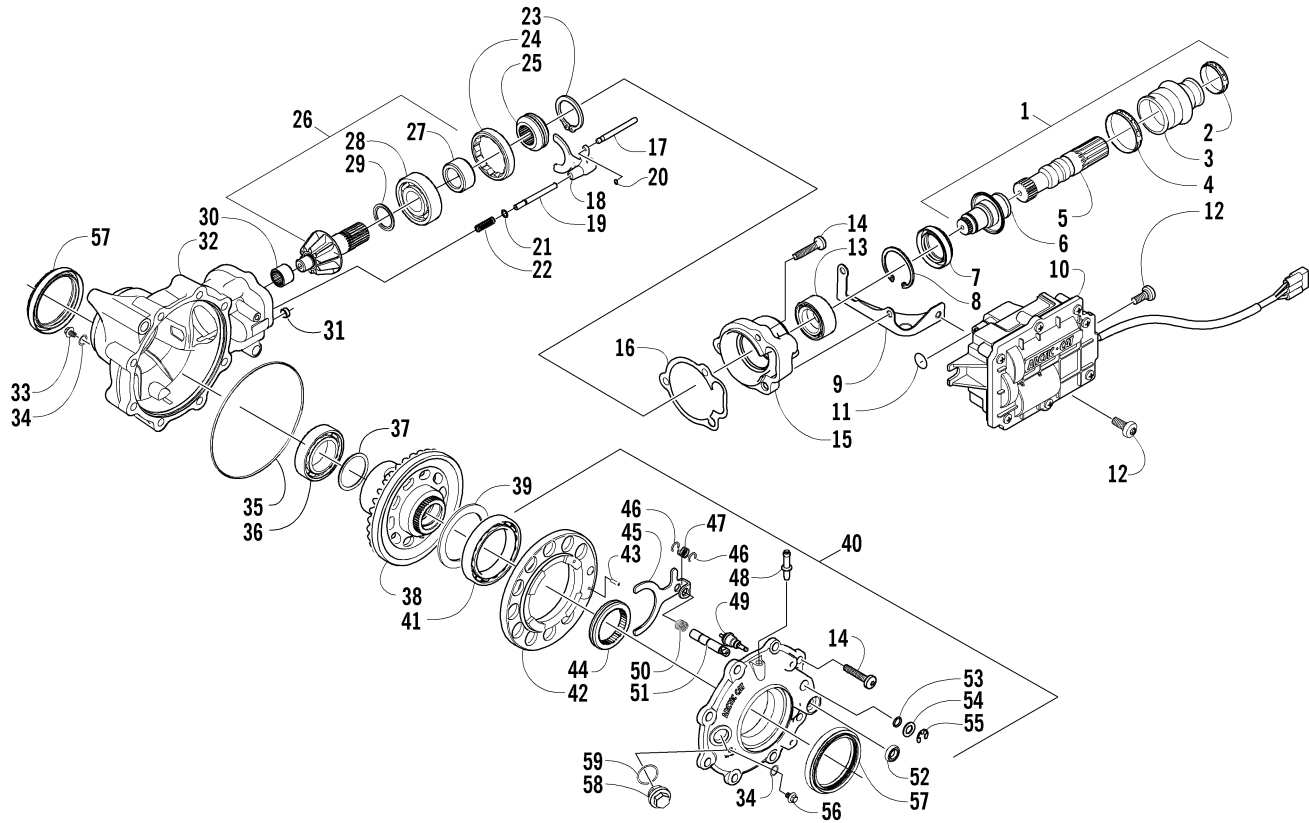
Ref.	Part No.	Qty.	Description	Ref.	Part No.	Qty.	Description
1	<u>0513-010</u>	1	Duct, Belt Cooling - Front	6	0470-442	2	Valve, Drain
2	<u>0423-380</u>	4	Clamp, Duct	7	0413-055	1	Boot, Duct - Rear
3	<u>0413-092</u>	1	Boot, Air-In	8	<u>0413-094</u>	1	Duct, Belt Cooling - Rear
4	<u>3402-449</u>	2	Clamp, Boot	9	0123-903	1	Cable Tie - 11.5 in.
5	<u>0413-113</u>	1	Boot, Duct - Front				



DRIVE TRAIN ASSEMBLY

0739-743

Ref.	Part No.	Qty.	Description	Ref.	Part No.	Qty.	Description
1	0402-147	2	Bladder, Gearcase	11	0410-049	AR	Hose, Vent
2	0423-315	4	Clamp, Fitting	12	0623-101	1	Clip, Routing - Snap-In
3	8428-002	4	Nut, Lock	13	0470-462	1	Fitting, Vent
4	0423-426	8	Washer	14	0423-393	2	Clamp, Boot
5	0423-404	4	Screw, Cap	15	0402-985	2	Boot
6	0502-444	1	Gearcase, Front	16	0423-411	2	Clamp, Boot
7	0402-966	1	Boot, Shaft	17	0673-618	2	Bumper, Propeller Shaft
8	0502-500	1	Plate, Cable	18	1402-233	1	Shaft, Propeller
9	0423-396	3	Screw, Self-Tapping	19	8408-820	4	Screw, Cap
10	0502-642	1	Gearcase, Rear	20	0402-950	1	Flange, Output

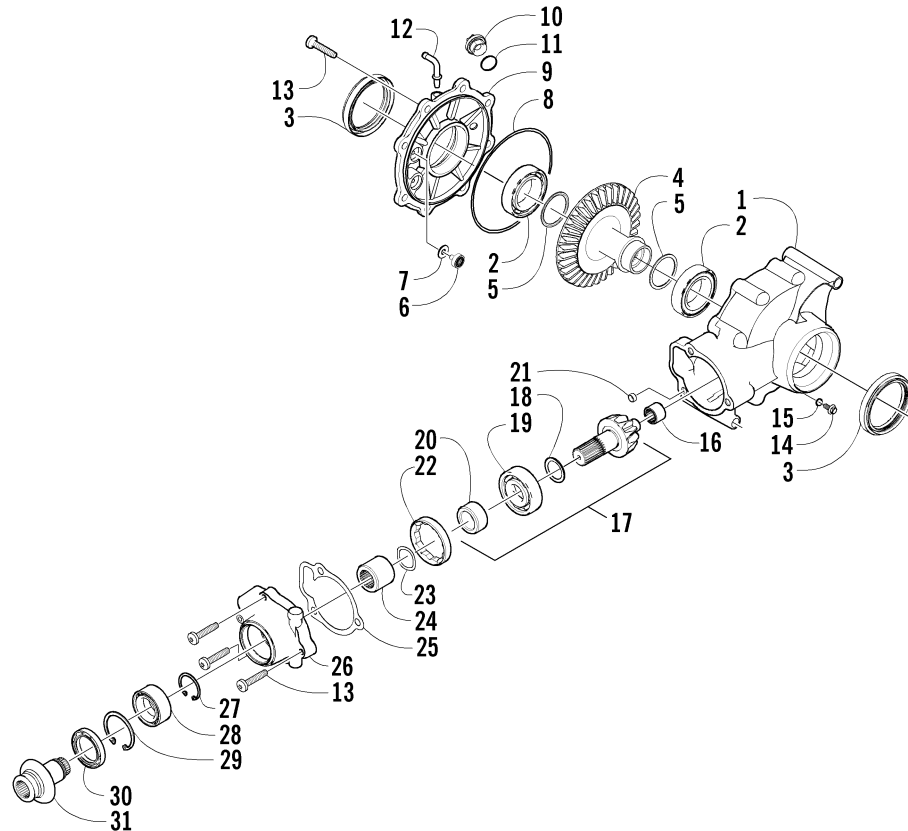


FRONT DRIVE GEARCASE ASSEMBLY

(Complete Assembly p/n 0502-444)

0739-579

Ref.	Part No.	Qty.	Description	Ref.	Part No.	Qty.	Description
1	0502-385	1	Shaft, Propeller - Assembly (inc. 2-6)	33	1402-210	1	Plug, Magnetic (inc. one No. 34)
2	0423-411	1	ø Clamp, Boot	34	0423-153	2	ø O-Ring
3	0402-985	1	ø Boot, Propeller Shaft	35	0423-149	1	O-Ring
4	0423-393	1	ø Clamp, Boot	36	0402-393	1	Bearing
5	1402-045	1	ø Shaft, Output	37	0402-405	AR	Shim
6	0502-407	1	ø Shaft, Input		0402-406	AR	Shim
7	1402-011	1	Seal		0402-407	AR	Shim
8	0423-423	1	Ring, Retaining		0402-408	AR	Shim
9	0502-347	1	Bracket, Actuator		0402-409	AR	Shim
10	0502-579	1	Actuator (inc. one No. 11)	38	0502-411	1	Gear, Ring - 36T
11	0423-498	2	ø O-Ring	39	1402-074	AR	Shim
12	0423-396	3	Screw, Self-Tapping		1402-075	AR	Shim
13	1402-043	1	Bearing		1402-076	AR	Shim
14	0423-118	11	Screw, Self-Tapping		1402-077	AR	Shim
15	0502-528	1	Housing, Pinion		1402-078	AR	Shim
16	0402-947	1	Gasket, Flange	40	0502-434	1	Cover, Gearcase (inc. one No. 34, 41-56, and one No. 57)
17	0402-997	1	Shaft, Selector	41	1402-053	1	ø Bearing
18	0402-998	1	Fork, Selector	42	0502-413	1	ø Flange, Bearing
19	0402-417	1	Shaft, Shuttle	43	1402-079	1	ø Pin, Parallel
20	0423-402	1	Ring, Retaining	44	1402-042	1	ø Collar, Sliding
21	0423-147	1	O-Ring	45	1402-054	1	ø Fork
22	0402-999	1	Spring, Return	46	1402-058	2	ø Ring, Retaining
23	0423-417	1	Ring, Retaining	47	1402-057	1	ø Spring
24	0402-357	1	Collar, Lock	48	1402-104	1	ø Fitting
25	0402-413	1	Coupler, Drive	49	0402-419	1	ø Switch, Indicator
26	0502-123	1	Gear, Pinion - Assembly - 10T (inc. 27-29)	50	1402-063	1	ø Spring
27	0402-336	1	ø Collar, Retaining	51	1402-055	1	ø Shaft, Lock
28	0402-327	1	ø Bearing	52	1402-056	1	ø Seal
29	0402-424	AR	ø Shim	53	0423-133	1	ø O-Ring
	0402-425	AR	ø Shim	54	0423-132	1	ø Washer
	0402-426	AR	ø Shim	55	0423-424	1	ø Ring, Retaining
	0402-427	AR	ø Shim	56	1402-211	1	ø Plug, Oil Level (inc. one No. 34)
	0402-428	AR	ø Shim	57	0402-394	2	ø Seal
30	0402-328	1	Bearing	58	0402-333	1	Plug, Fill (inc. 59)
31	0402-411	1	Pin, Dowel	59	0423-154	1	ø O-Ring
32	0502-514	1	Housing, Gearcase				

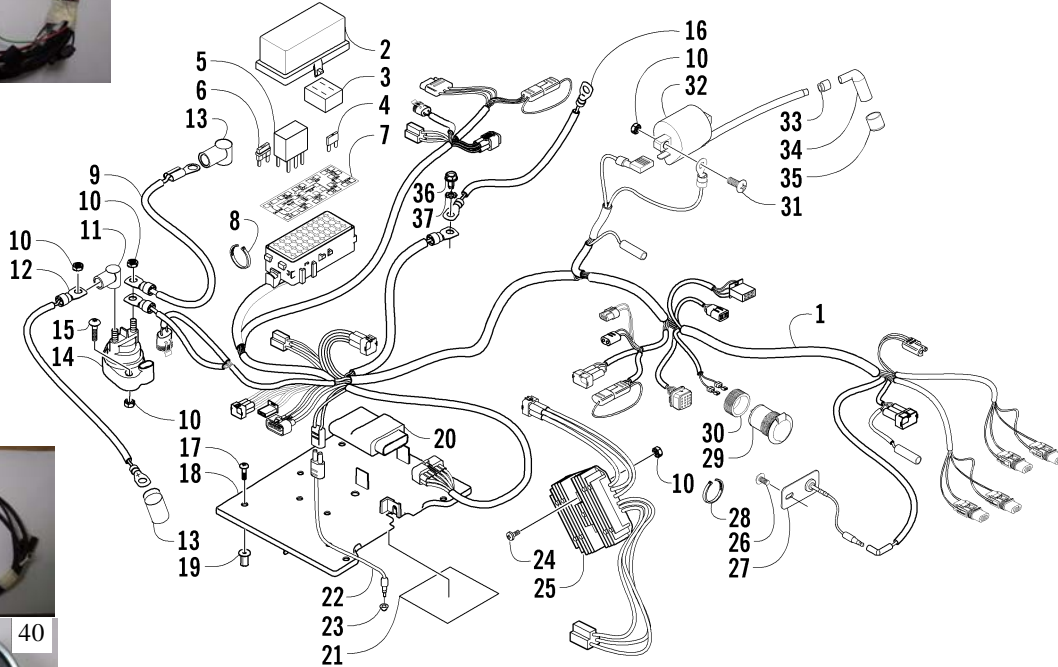


REAR DRIVE GEARCASE ASSEMBLY

(Complete Assembly p/n 0502-642)

0739-580

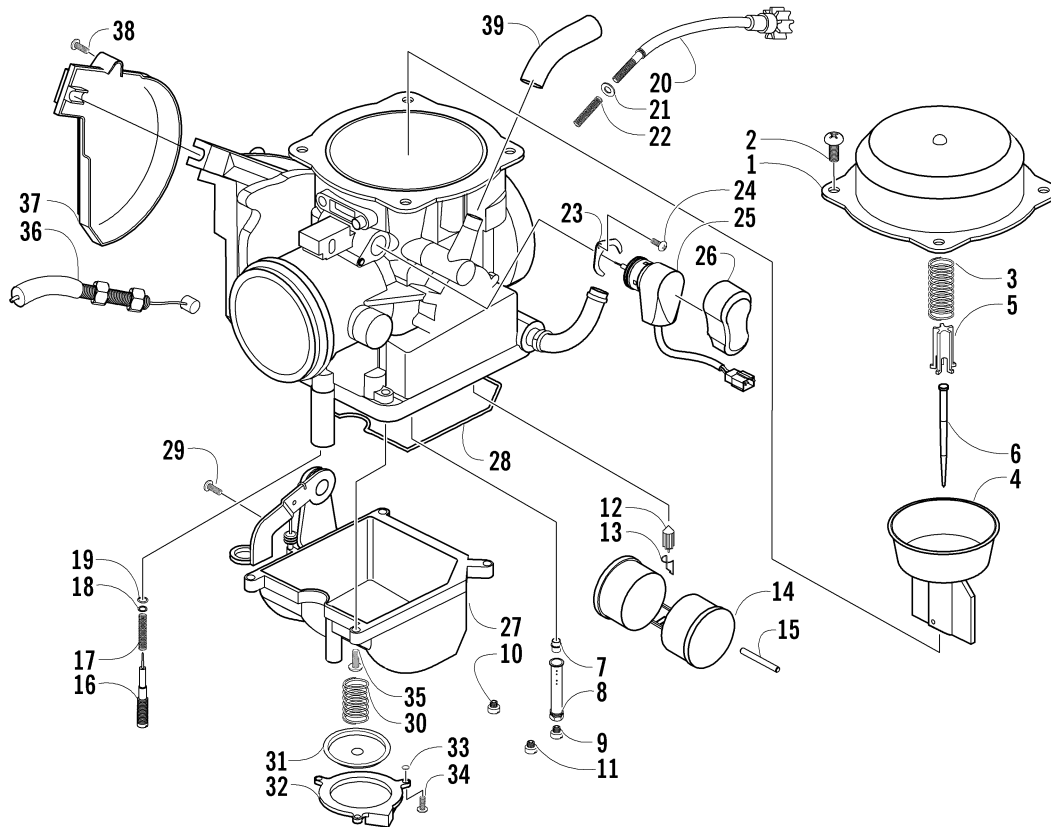
Ref.	Part No.	Qty.	Description	Ref.	Part No.	Qty.	Description
1	0502-352	1	Housing, Gearcase	15	0423-153	1	ø O-Ring
2	0402-393	2	Bearing	16	0402-328	1	Bearing
3	0402-394	2	Seal	17	0502-123	1	Gear, Pinion - Assembly - 10T (inc. 18-20)
4	1402-032	1	Gear, Ring - 36T	18	0402-424	AR	ø Shim
5	0402-405	AR	Shim		0402-425	AR	ø Shim
	0402-406	AR	Shim		0402-426	AR	ø Shim
	0402-407	AR	Shim		0402-427	AR	ø Shim
	0402-408	AR	Shim		0402-428	AR	ø Shim
	0402-409	AR	Shim	19	0402-327	1	ø Bearing
6	0402-326	1	Button, Thrust	20	0402-336	1	ø Collar, Retaining
7	0402-429	AR	Shim	21	0402-411	1	Pin, Dowel
	0402-430	AR	Shim	22	0402-331	1	Collar, Lock
	0402-431	AR	Shim	23	0402-982	1	Washer, Wave
	0402-432	AR	Shim	24	0402-981	1	Collar, Shaft
	0402-433	AR	Shim	25	0402-947	1	Gasket, Flange
8	0423-149	1	O-Ring	26	0502-529	1	Housing, Pinion
9	0502-346	1	Cover, Gearcase	27	0423-417	1	Ring, Retaining
10	0402-333	1	Plug, Fill (inc. 11)	28	1402-043	1	Bearing
11	0423-154	1	ø O-Ring	29	0423-423	1	Ring, Retaining
12	1402-102	1	Fitting	30	1402-011	1	Seal
13	0423-118	11	Screw, Self-Tapping	31	0502-407	1	Shaft, Input
14	0402-450	1	Plug, Magnetic (inc. 15)				



WIRING HARNESS ASSEMBLY

0739-716

Ref.	Part No.	Qty.	Description	Ref.	Part No.	Qty.	Description
1	<u>0486-158</u>	1	Harness, Main (inc. 2-7 and two No. 8)	20	3530-039	1	CDI Unit
2	0530-008	1	ø Cover, Fuse Block	21	<u>0412-291</u>	1	Shield, Heat
3	0430-037	1	ø Holder, Fuse	22	0409-009	1	Switch, Brake - Assembly
4	0430-034	3	ø Diode	23	0402-991	1	Retainer, Switch
5	0430-033	3	ø Relay	24	8476-630	2	Screw, Machine
6	0430-032	4	ø Fuse - 10 Amp	25	3530-028	1	Regulator, Voltage
	0430-031	3	ø Fuse - 15 Amp	26	8476-616	1	Screw, Machine
	0430-030	2	ø Fuse - 30 Amp	27	0509-011	1	Diode Assembly
7	<u>0411-828</u>	1	ø Decal, Fuse Block	28	0123-903	AR	Cable Tie - 11.5 in.
8	0123-788	AR	ø Cable Tie - 7.5 in.	29	0445-022	1	Receptacle, 12V (inc. 30)
9	<u>0445-044</u>	1	Cable, Solenoid/Starter	30	0445-034	1	ø Nut, Retainer
10	0623-038	7	Nut w/Washer	31	8476-620	1	Screw, Machine
11	0645-327	1	Boot, Terminal	32	3530-027	1	Coil, Ignition - Assembly
12	<u>0445-046</u>	1	Cable, Battery/Solenoid (inc. one No. 13)	33	3430-009	1	Seal, High Tension Wire
13	0645-019	2	ø Boot, Terminal	34	3430-007	1	Cap, Spark Plug
14	<u>0445-036</u>	1	Solenoid	35	3430-008	1	Seal, Spark Plug
15	8476-625	2	Screw, Machine	36	0623-966	1	Screw, Self-Tapping
16	<u>0445-045</u>	1	Cable, Battery/Ground	37	8053-212	1	Washer, Lock - External Tooth
17	0623-121	4	Screw, Machine	38 AC003-223	1	Harness 2006	
18	<u>1406-600</u>	1	Tray, Electrical	39 AC003-230	1	Harness Rear Light 2006	
19	0123-010	4	Nut, Expansion	40 AC003-158	1	Horn	

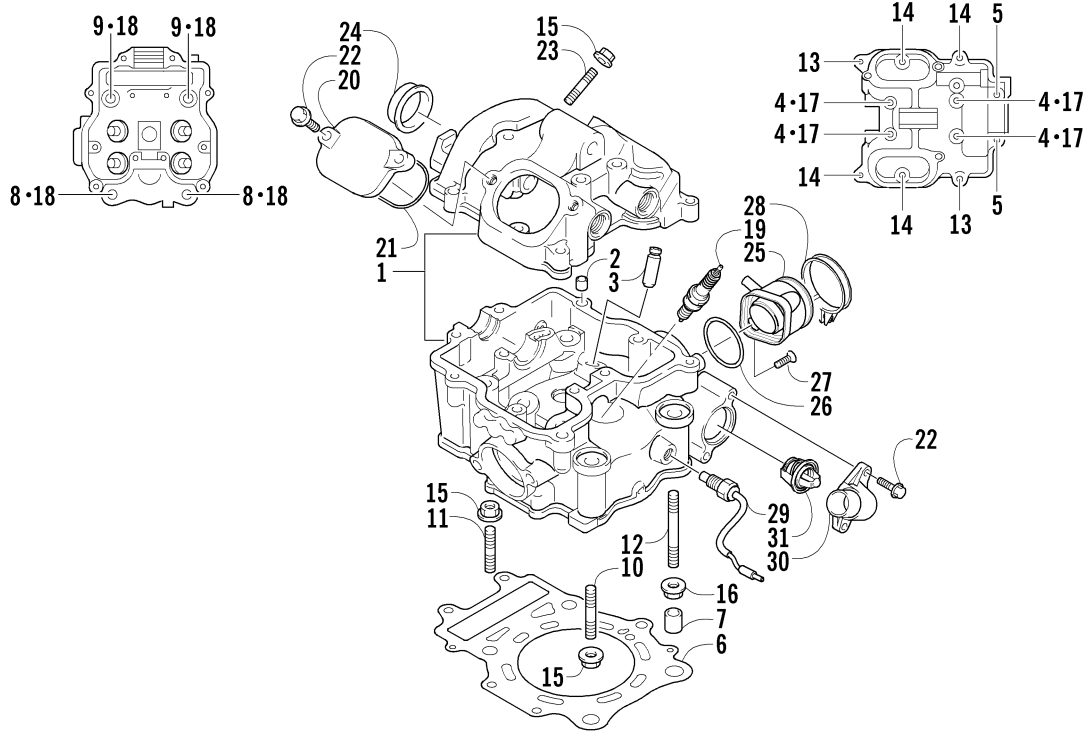


CARBURETOR

(Complete Assembly p/n 0470-533)

0739-656 *Not a Service Part **Optional

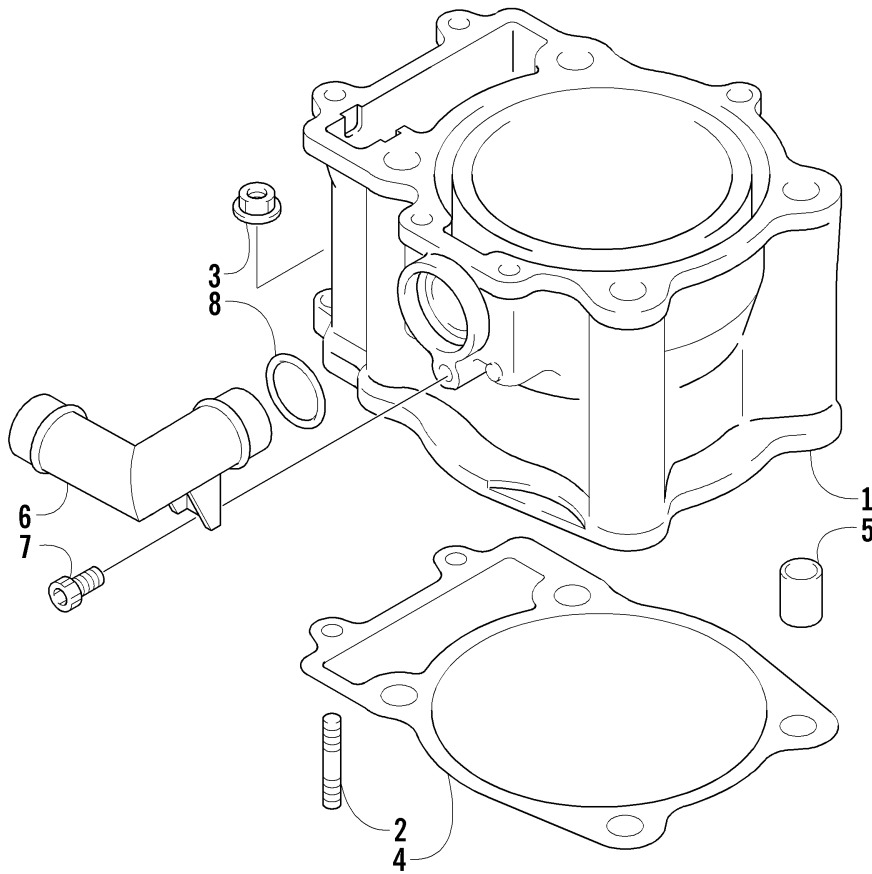
Ref.	Part No.	Qty.	Description	Ref.	Part No.	Qty.	Description
1	5507-001	1	Cover, Top	19	*	1	∅ O-Ring
2	5507-002	4	Screw, Top Cover	20	5507-027	1	Screw, Idle Adjust
3	5507-085	1	Spring	21	5507-028	1	Washer
4	5507-099	1	Piston, Vacuum	22	5507-029	1	Spring
5	5507-005	1	Seat, Spring	23	5507-115	1	Plate
6	<u>5507-184</u>	1	Jet Needle	24	5507-117	1	Screw
7	5507-007	1	Needle Jet	25	5507-113	1	Choke, Electric
8	5507-047	1	Holder, Needle Jet	26	5507-114	1	Cover, Electric Choke
9	5507-043	1	Main Jet - 142	27	5507-065	1	Chamber, Float - Assembly (inc. 28-34)
	5507-044	1	Main Jet - 140**	28	5507-067	1	∅ O-Ring, Float Chamber
	5507-041	1	Main Jet - 147**	29	5507-050	1	∅ Screw, Drain
	5507-086	1	Main Jet - 148**	30	5507-032	1	∅ Spring
	5507-009	1	Main Jet - 150**	31	5507-031	1	∅ Diaphragm Assembly
10	5507-101	1	Slow Jet	32	*	1	∅ Housing, Pump
11	5507-112	1	Starter Jet - 85	33	5507-034	1	∅ U-Ring
12	<u>5507-183</u>	1	Valve, Float - Set (inc. 13)	34	5507-035	3	∅ Screw
13	*	1	∅ Clip	35	5507-017	4	Screw
14	5507-039	1	Float Set (inc. 15)	36	0487-021	1	Cable, Throttle
15	*	1	∅ Pin, Float	37	5507-036	1	Cover
16	5507-111	1	Screw, Pilot Air - Set (inc. 17-19)	38	5507-037	1	Screw
17	*	1	∅ Spring	39	0410-056	1	Hose, Vent
18	*	1	∅ Washer				



CYLINDER HEAD ASSEMBLY

0739-959 *Not Illustrated

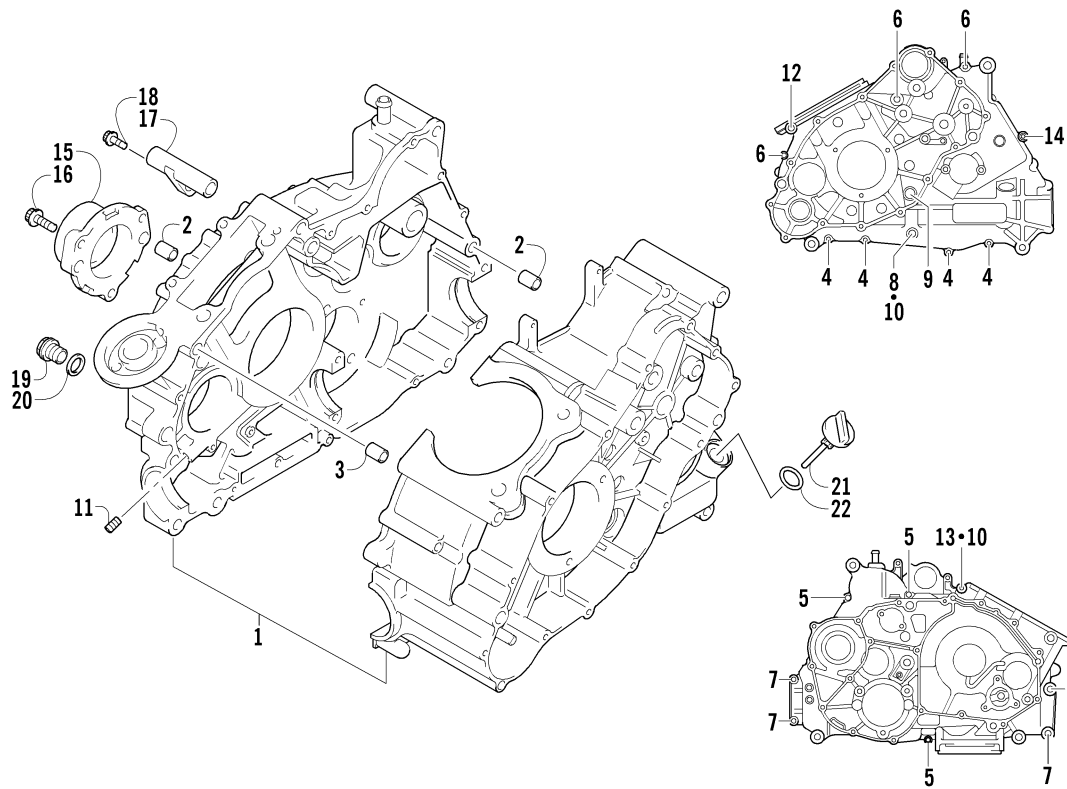
Ref.	Part No.	Qty.	Description	Ref.	Part No.	Qty.	Description
1	3402-098	1	Head, Cylinder - Assembly (inc. 2-5)	17	3003-290	4	Gasket
2	3423-043	2	∅ Pin, Dowel	18	3402-010	4	Gasket, Head Nut
3	3402-099	4	∅ Guide, Valve	19	0217-632	1	Spark Plug (NGK CR6E)
4	3423-006	4	∅ Screw, Cap	20	3402-100	2	Cap, Inspection
5	3008-376	2	∅ Screw, Cap	21	3402-101	2	O-Ring
6	3402-362	1	Gasket, Cylinder Head	22	3004-341	5	Screw, Cap
7	3423-088	2	Pin, Dowel	23	3423-383	1	Bolt, Stud
8	3423-015	2	Screw, Cap	24	3402-035	1	Plug, Cylinder Head
9	3423-016	2	Screw, Cap	25	0570-092	1	Manifold, Intake
10	3423-089	2	Bolt, Stud	26	0470-531	1	O-Ring
11	3423-087	2	Bolt, Stud	27	8476-620	2	Screw, Machine
12	3423-203	1	Bolt, Stud	28	0423-317	1	Clamp
13	3423-007	2	Screw, Cap	29	3530-038	1	Switch, Water Temperature - Assembly
14	3004-376	4	Screw, Cap	30	3413-004	1	Cover, Thermostat
15	3004-488	5	Nut	31	3413-012	1	Thermostat
16	3004-326	1	Nut	*	3402-048	1	Plug, Frost



CYLINDER ASSEMBLY

0732-301

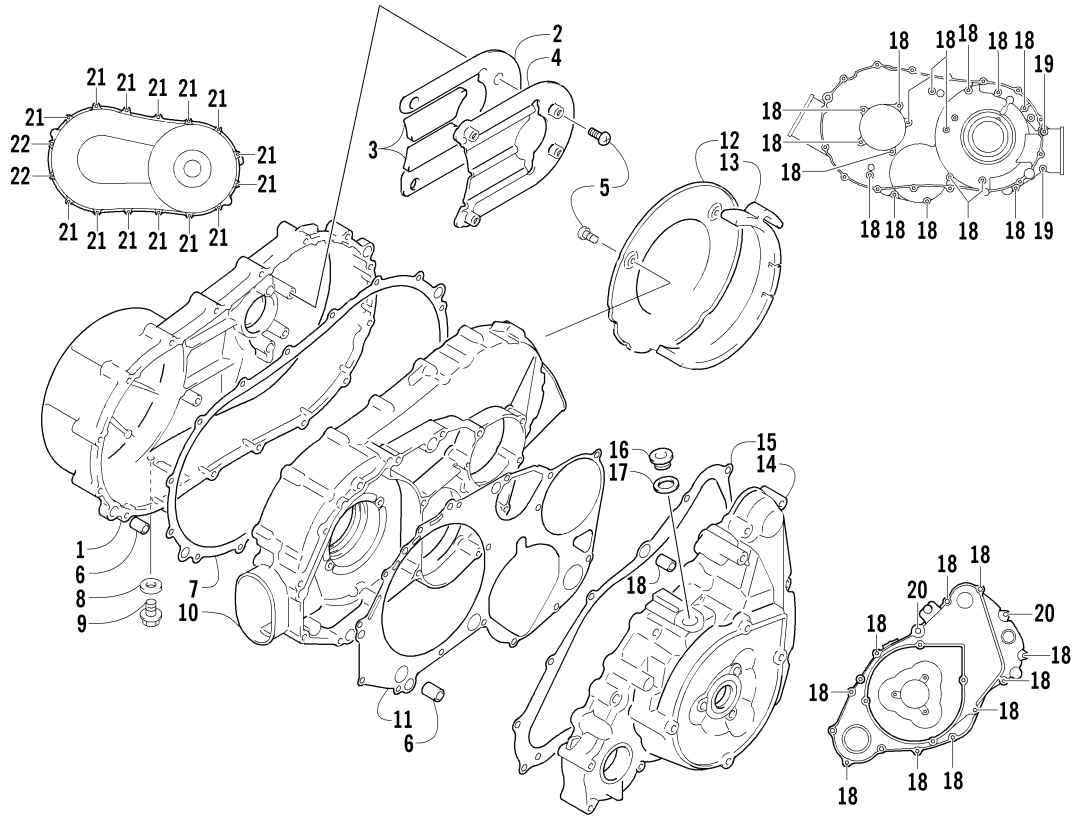
Ref.	Part No.	Qty.	Description	Ref.	Part No.	Qty.	Description
1	3402-707	1	Cylinder	5	3423-088	2	Pin, Dowel
2	3423-384	2	Bolt, Stud	6	3413-013	1	Union, Water Hose
3	3004-488	2	Nut	7	3423-121	1	Screw, Cap
4	3402-365	1	Gasket, Cylinder	8	3423-058	1	O-Ring



CRANKCASE ASSEMBLY

0737-757

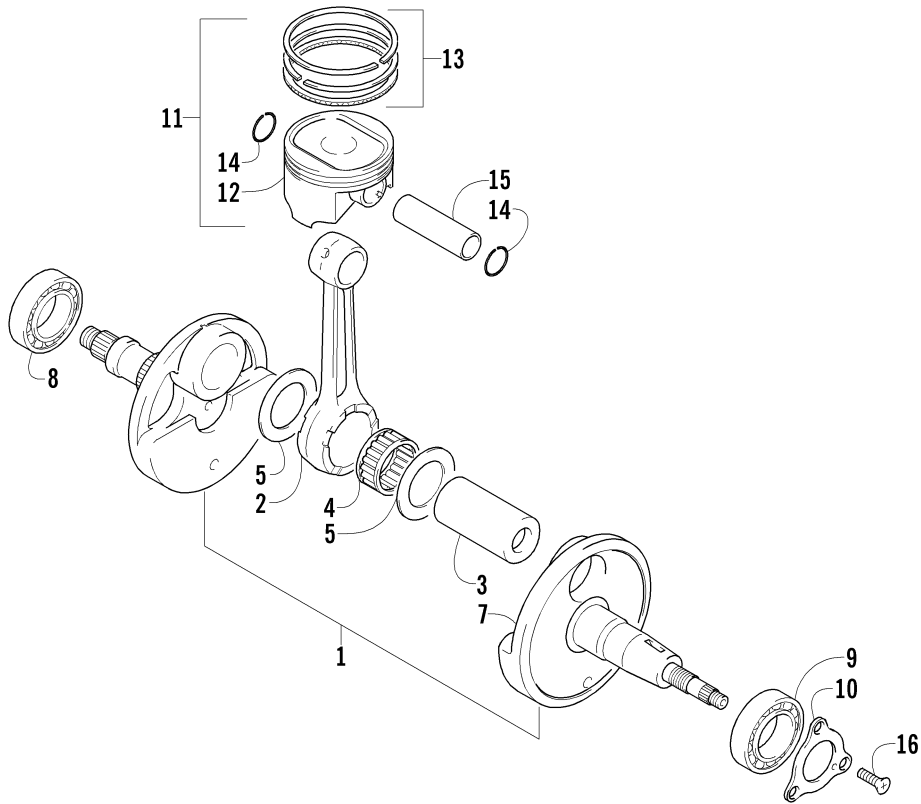
Ref.	Part No.	Qty.	Description	Ref.	Part No.	Qty.	Description
1	3402-708	1	Crankcase Assembly (inc. two No. 2 and 3-14)	12	3423-387	1	∅ Bolt
2	3423-088	4	∅ Pin, Dowel	13	3423-388	1	∅ Bolt
3	3004-822	1	∅ Pin, Dowel	14	3423-308	1	∅ Bolt
4	3423-091	4	∅ Bolt	15	3402-439	1	Housing, Secondary Shaft Bearing
5	3423-119	3	∅ Bolt	16	3423-506	3	Bolt
6	3423-092	3	∅ Bolt	17	3402-437	1	Pipe, Breather
7	3004-880	4	∅ Bolt	18	3423-389	1	Bolt, Breather Pipe
8	3005-332	1	∅ Bolt	19	3402-214	1	Plug, Oil Pressure
9	3423-385	1	∅ Bolt	20	3402-012	1	Gasket, Oil Pressure Plug
10	3402-436	2	∅ Gasket	21	3402-438	1	Stick, Oil Level
11	3423-386	1	∅ Plug	22	3423-055	1	O-Ring, Oil Level Stick



CLUTCH/V-BELT/MAGNETO COVER ASSEMBLY

0737-759

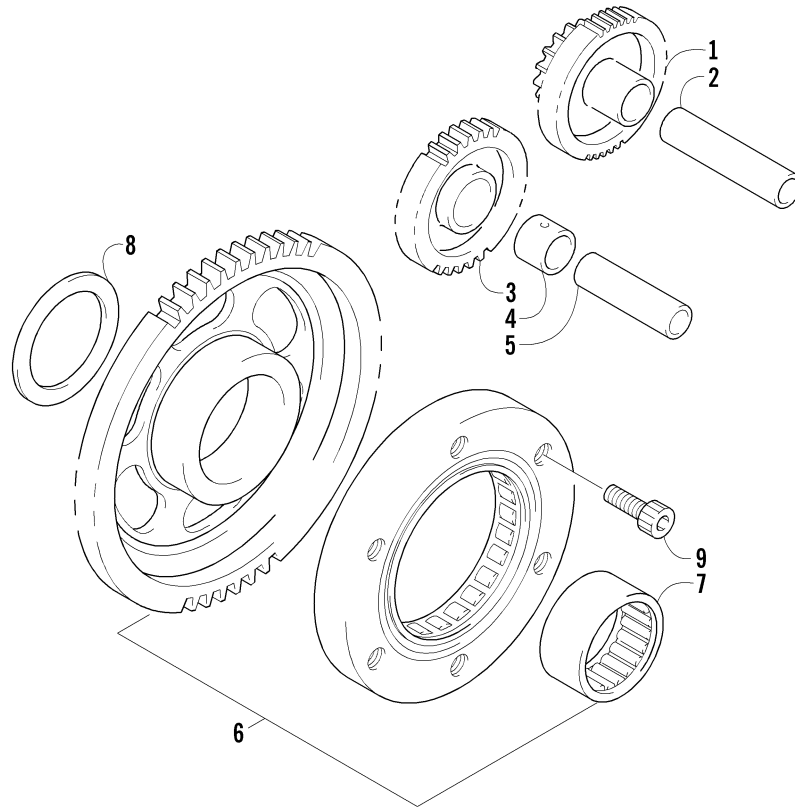
Ref.	Part No.	Qty.	Description	Ref.	Part No.	Qty.	Description
1	3402-710	1	Cover, V-Belt	12	3402-445	1	Plate, Air Intake
2	3402-711	1	Damper, V-Belt Cover	13	3402-699	1	Cushion, Air Intake Plate
3	3402-712	2	Damper, V-Belt Cover	14	3402-714	1	Cover, Magneto
4	3402-713	1	Plate, V-Belt Cover	15	3402-715	1	Gasket, Magneto Cover
5	3423-435	7	Screw	16	3402-041	1	Plug, Oil Filler
6	3423-088	6	Pin, Dowel	17	3402-013	1	Gasket, Oil Filler Plug
7	3402-443	1	Gasket, V-Belt Cover	18	3423-098	26	Bolt
8	3402-444	1	Gasket, Drain Plug	19	3423-092	2	Bolt
9	3004-705	1	Plug, Drain	20	3004-756	2	Bolt
10	3402-709	1	Cover, Clutch	21	3423-091	14	Bolt
11	3402-441	1	Gasket, Clutch Cover	22	3423-119	2	Bolt



CRANKSHAFT ASSEMBLY

0737-077

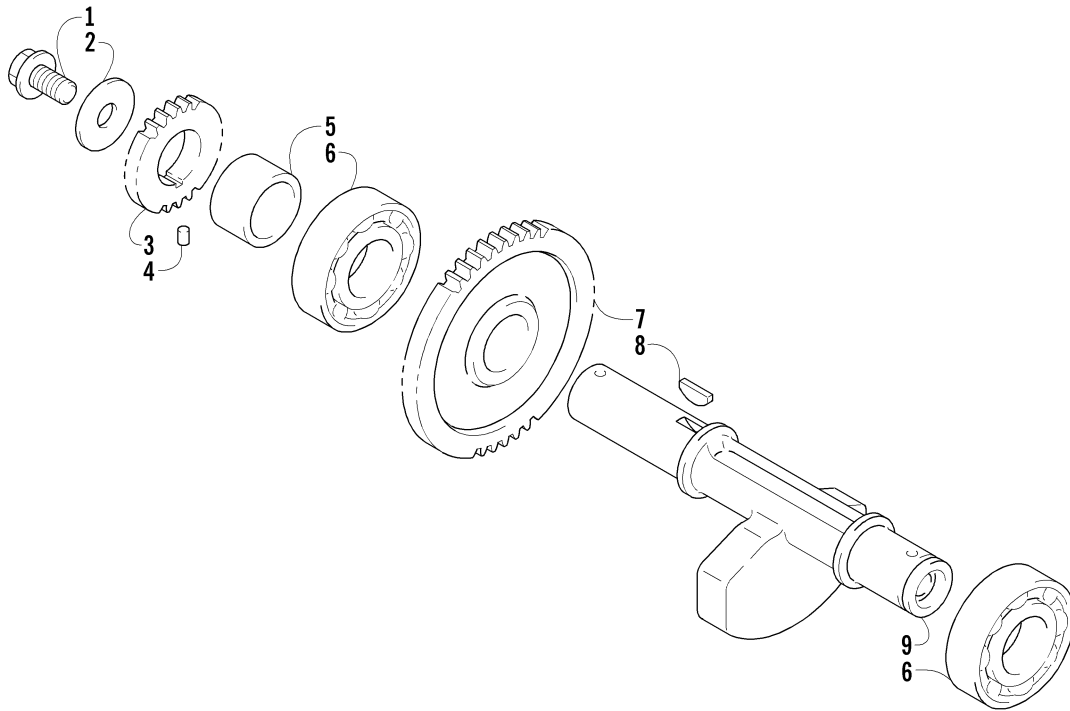
Ref.	Part No.	Qty.	Description	Ref.	Part No.	Qty.	Description
1	<u>3403-018</u>	1	Crankshaft Assembly (inc. 2-7)	9	3402-054	1	Bearing - Left
2	3402-376	1	∅ Rod, Connecting	10	3402-188	1	Retainer, Oil Seal - Left
3	3402-377	1	∅ Pin, Crank	11	3402-788	1	Piston Set (inc. 12-14)
4	3402-717	1	∅ Bearing	12	3402-719	1	∅ Piston
5	3423-351	2	∅ Washer	13	3402-720	1	∅ Ring, Piston - Set
6	<u>3403-025</u>	1	∅ Crankshaft - Right	14	3423-344	2	∅ Circlip, Piston Pin
7	3402-705	1	∅ Crankshaft - Left	15	3402-375	1	Pin, Piston
8	3402-058	1	Bearing - Right	16	3423-018	3	Screw



STARTER CLUTCH ASSEMBLY

0735-612

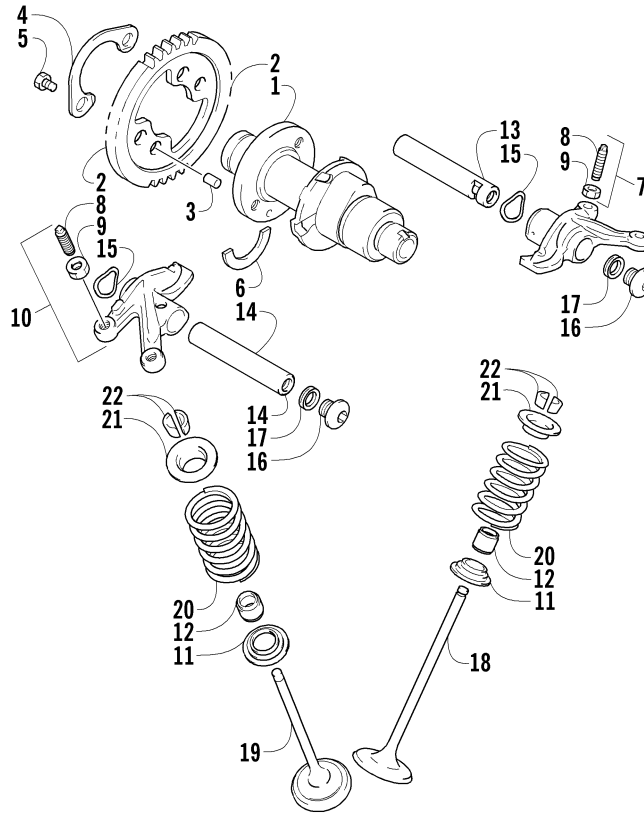
Ref.	Part No.	Qty.	Description	Ref.	Part No.	Qty.	Description
1	3402-813	1	Gear, Starter Idler - No. 1	6	3402-457	1	Clutch, Starter - Set (inc. 7)
2	3423-331	1	Pin	7	3402-063	1	ø Bearing
3	3402-349	1	Gear, Starter Idler - No. 2	8	3423-104	1	Washer
4	3423-396	1	Spacer, Starter Idler Gear No. 2	9	3423-509	6	Screw, Cap
5	3423-397	1	Pin				



CRANK BALANCER ASSEMBLY

0737-762

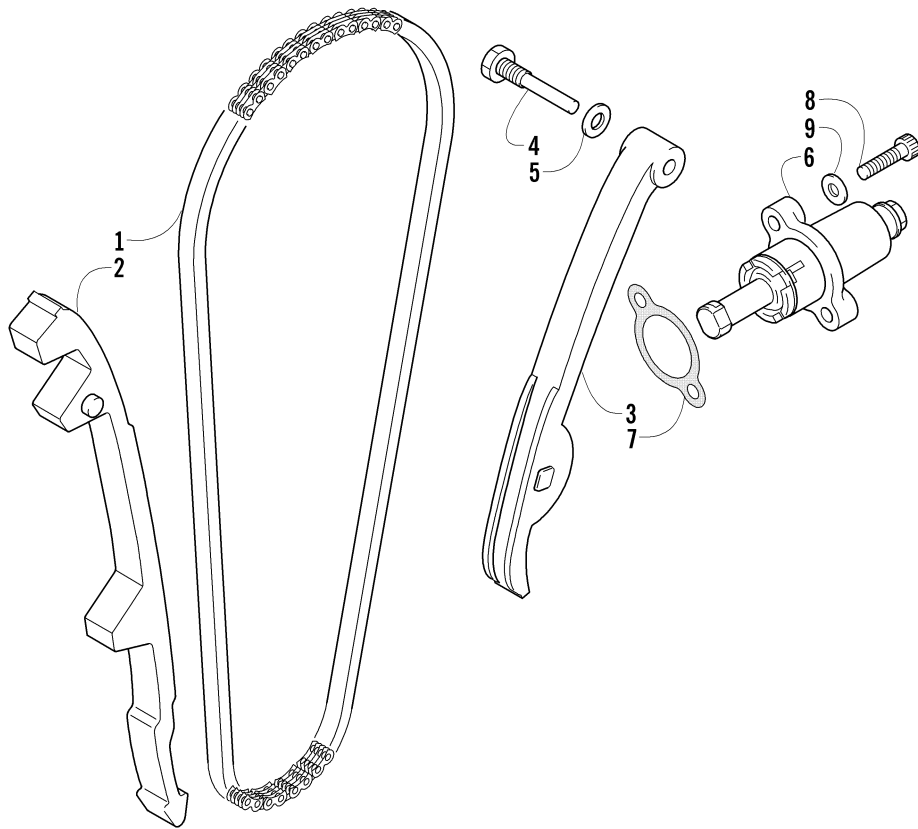
Ref.	Part No.	Qty.	Description	Ref.	Part No.	Qty.	Description
1	3423-555	1	Bolt	6	3402-050	2	Bearing
2	3423-401	1	Washer	7	3402-722	1	Gear, Driven
3	3402-390	1	Gear, Oil Pump Drive	8	3004-540	1	Key
4	3423-110	1	Pin	9	3402-458	1	Balancer, Crank
5	3402-461	1	Spacer				



CAMSHAFT/VALVE ASSEMBLY

0737-800

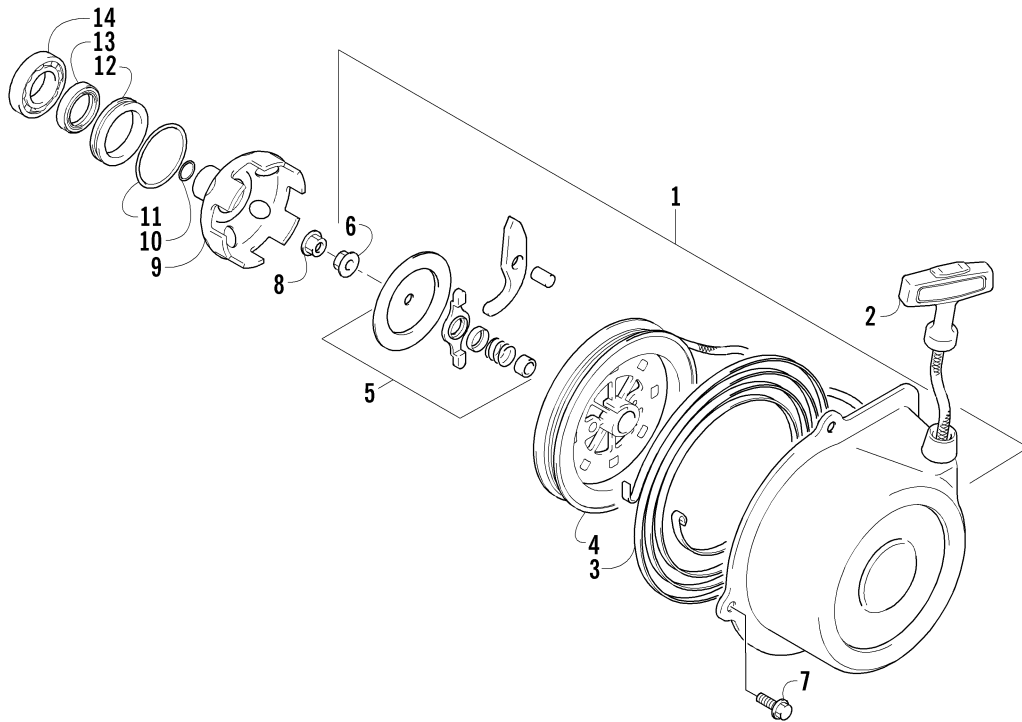
Ref.	Part No.	Qty.	Description	Ref.	Part No.	Qty.	Description
1	3402-723	1	Camshaft	11	3402-148	4	Seat, Spring
2	3402-352	1	Sprocket	12	3402-078	4	Seal, Oil
3	3423-047	1	Pin	13	3402-140	1	Shaft, Rocker Arm
4	3423-073	1	Washer	14	3402-141	1	Shaft, Rocker Arm
5	3423-013	2	Bolt	15	3423-031	2	Washer
6	3423-071	1	C-Ring	16	3402-040	2	Plug, Shaft
7	3402-805	1	Arm, Valve Rocker - Intake (inc. two No. 8-9)	17	3402-012	2	Gasket
8	3423-075	4	ø Screw	18	3402-725	2	Valve, Intake
9	3423-076	4	ø Nut	19	3402-143	2	Valve, Exhaust
10	3402-139	1	Arm, Valve Rocker - Exhaust (inc. two No. 8-9)	20	3402-726	4	Spring, Valve
				21	3423-541	4	Retainer, Spring
				22	3402-147	8	Cotter, Valve



CAM CHAIN ASSEMBLY

0732-308

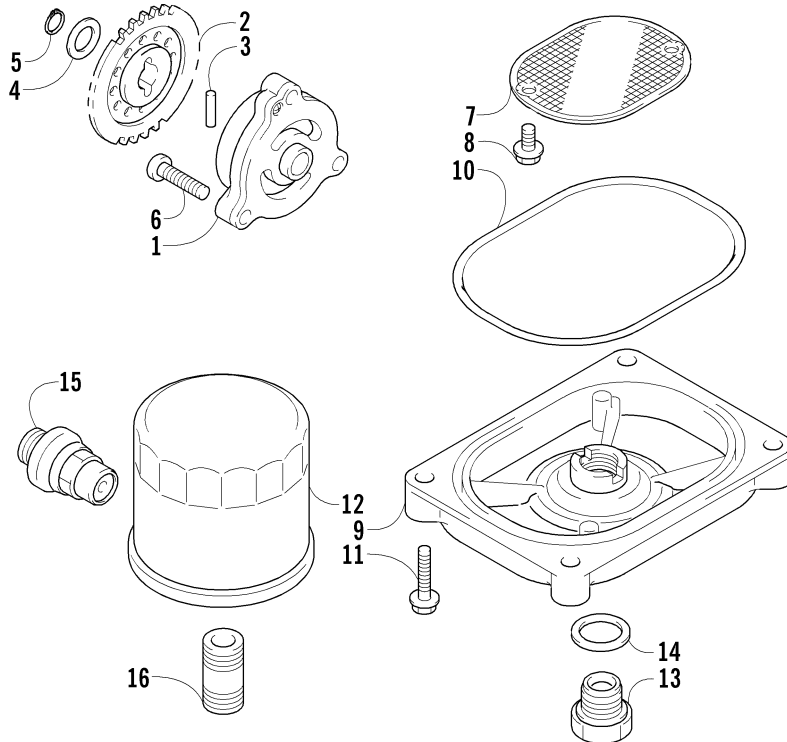
Ref.	Part No.	Qty.	Description	Ref.	Part No.	Qty.	Description
1	3402-353	1	Chain, Cam	6	3402-136	1	Adjuster, Tensioner - Assembly
2	3402-355	1	Guide, Chain	7	3402-137	1	Gasket
3	3402-356	1	Tensioner, Chain	8	3004-475	2	Screw, Cap
4	3423-074	1	Bolt	9	3003-290	2	Gasket
5	3003-188	1	Washer				



RECOIL STARTER ASSEMBLY

0737-764

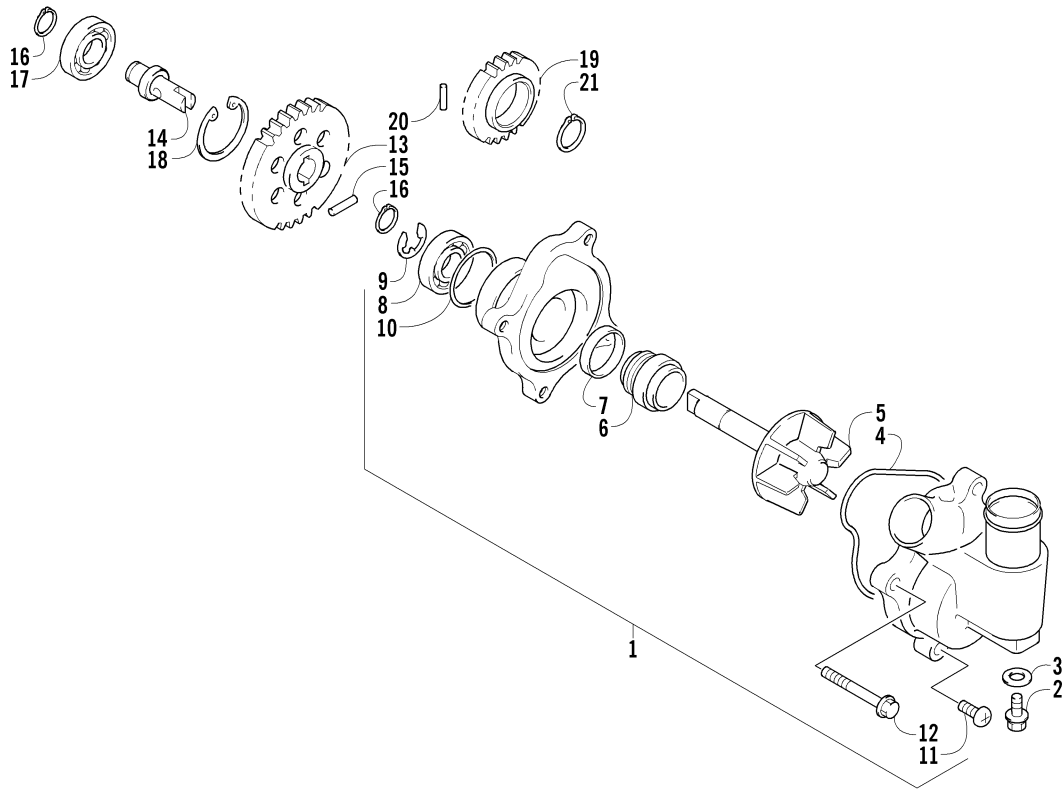
Ref.	Part No.	Qty.	Description	Ref.	Part No.	Qty.	Description
1	3445-003	1	Starter, Recoil - Assembly (inc. 2-6)	8	3004-491	1	Nut
2	3445-011	1	ø Rope Assembly	9	3445-029	1	Cup, Starter
3	3445-007	1	ø Spring, Spiral	10	3423-053	1	O-Ring
4	3445-004	1	ø Reel	11	3423-063	1	O-Ring
5	3445-016	1	ø Ratchet Assembly	12	3402-119	1	Spacer
6	3004-488	1	ø Nut	13	3402-070	1	Seal, Oil
7	3423-428	4	Screw, Cap	14	3402-051	1	Bearing



OIL FILTER/PUMP ASSEMBLY

0737-765

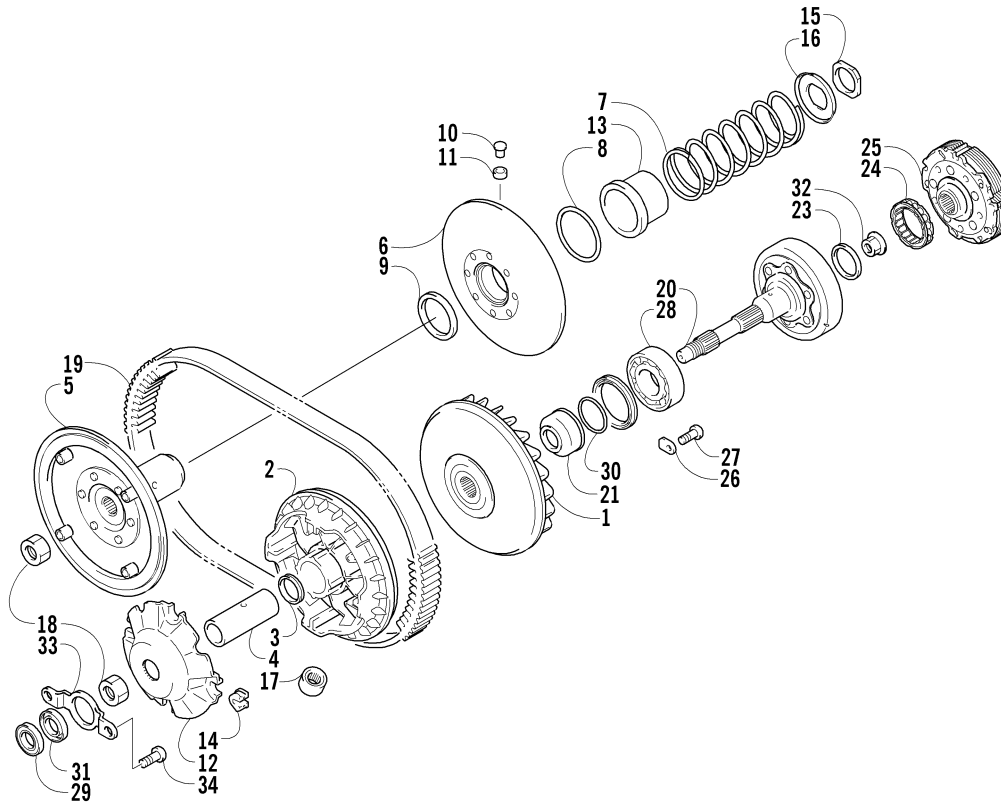
Ref.	Part No.	Qty.	Description	Ref.	Part No.	Qty.	Description
1	3402-727	1	Pump, Oil	9	3402-157	1	Cap, Oil Strainer
2	3402-463	1	Gear, Driven	10	3423-077	1	O-Ring
3	3423-046	1	Pin	11	3004-756	4	Screw, Cap
4	3423-443	1	Washer	12	0436-146	1	Filter, Oil
5	3423-184	1	Circlip	13	3402-036	1	Plug, Drain
6	3423-510	3	Screw, Cap	14	3402-012	1	Gasket, Drain Plug
7	3402-156	1	Strainer, Oil	15	3402-154	1	Valve, Oil Relief - Assembly
8	0693-389	2	Screw, Cap	16	3402-158	1	Union, Oil Filter



WATER PUMP ASSEMBLY

0737-766

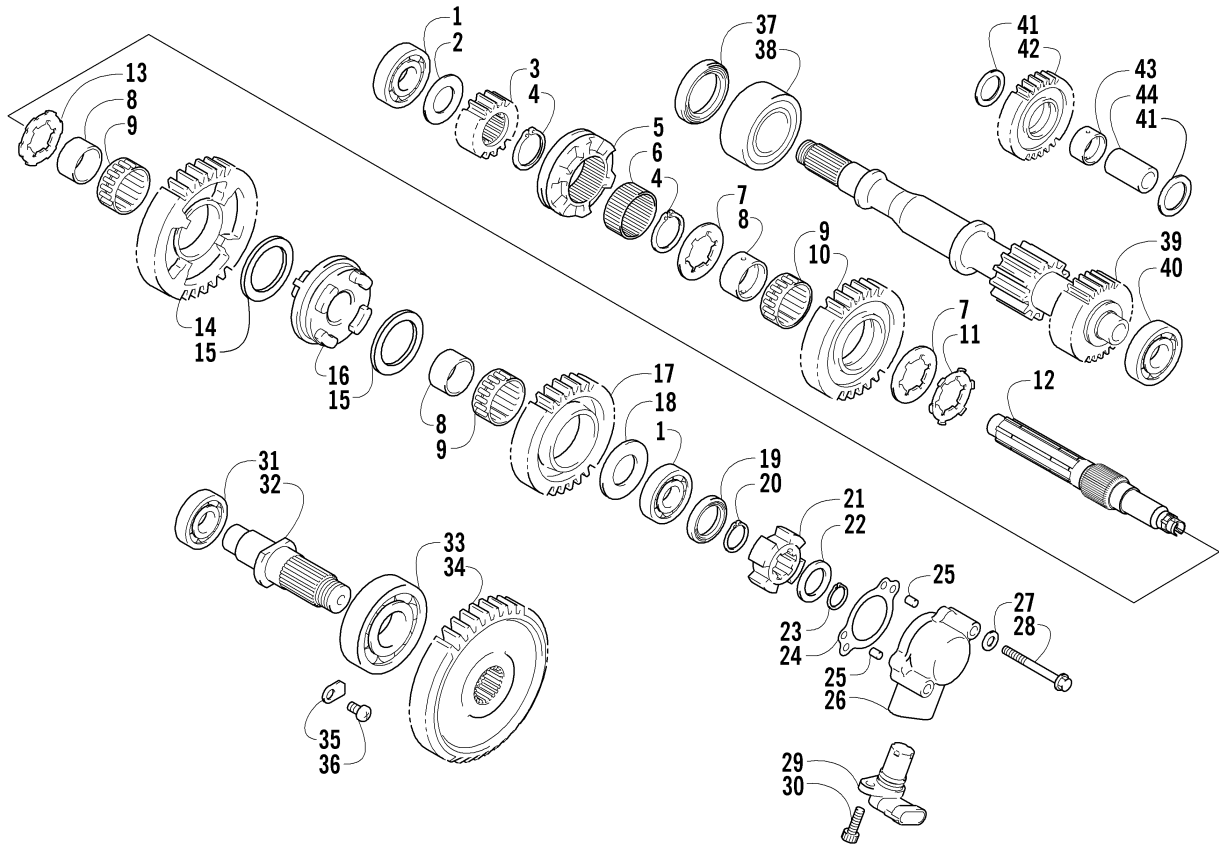
Ref.	Part No.	Qty.	Description	Ref.	Part No.	Qty.	Description
1	3402-464	1	Pump, Water - Assembly (inc. 2-11)	12	3423-308	2	Screw, Cap
2	3423-343	1	∅ Screw, Cap	13	3402-026	1	Gear, Driven
3	3003-188	1	∅ Gasket	14	3402-466	1	Shaft, Driven Gear
4	3423-402	1	∅ O-Ring	15	3423-046	1	Pin, Driven Gear
5	3413-014	1	∅ Impeller/Shaft	16	3423-184	2	Circlip, Driven Gear
6	3005-909	1	∅ Seal, Mechanical	17	3402-467	1	Bearing, Shaft
7	3402-465	1	∅ Seal, Oil	18	3423-405	1	Circlip, Shaft Bearing
8	3003-615	1	∅ Bearing	19	3402-390	1	Gear, Water Pump Drive
9	3423-403	1	∅ E-Ring	20	3423-110	1	Pin, Drive Gear
10	3423-404	1	∅ O-Ring	21	3423-189	1	Circlip, Drive Gear
11	3003-484	2	∅ Screw				



TRANSMISSION ASSEMBLY

0737-771

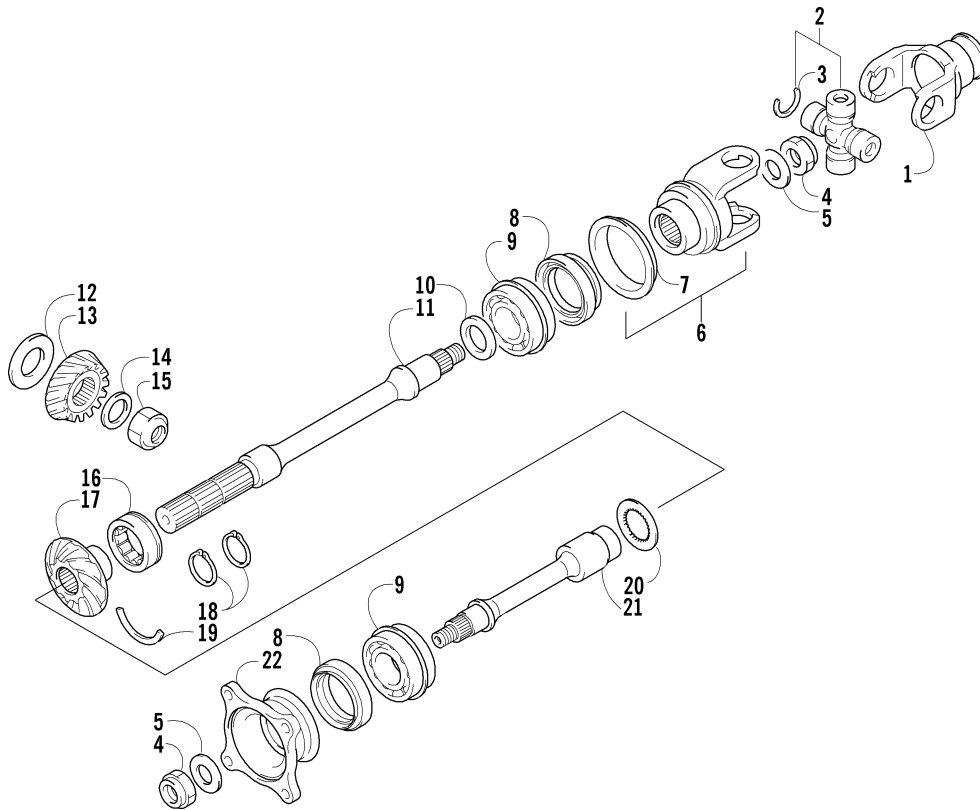
Ref.	Part No.	Qty.	Description	Ref.	Part No.	Qty.	Description
1	3402-750	1	Face, Fixed Drive	18	3423-514	2	Nut
2	3402-751	1	Face, Movable Drive	19	3402-757	1	V-Belt
3	3402-470	2	Seal, Movable Drive Face	20	3402-758	1	Housing, Clutch
4	3402-471	1	Spacer, Movable Drive Face	21	3402-544	1	Spacer, Fixed Drive Face
5	3402-752	1	Face, Fixed Driven	22	3402-808	1	Seal, Clutch Housing - Center
6	3402-753	1	Face, Movable Driven	23	3402-488	1	Seal, Clutch Housing - Left
7	3402-474	1	Spring, Movable Driven Face	24	3446-003	1	Clutch, One Way
8	3402-475	2	O-Ring, Movable Driven Face	25	3402-760	1	Shoe, Clutch - Assembly
9	3402-476	2	Seal, Movable Driven Face	26	3446-031	2	Retainer, Bearing
10	3402-477	4	Pin, Movable Driven Face	27	3423-435	2	Screw, Bearing Retainer
11	3402-478	4	Spacer, Movable Driven Face	28	3402-567	1	Bearing
12	3402-755	1	Plate, Movable Drive Face	29	3402-729	1	Bearing
13	3402-756	1	Sleeve, Movable Driven Face	30	3423-353	1	O-Ring
14	3402-481	4	Damper, Movable Drive Face	31	3402-761	2	Seal, Clutch Housing - Right
15	3423-406	1	Nut, Driven Pulley	32	3423-501	1	Nut
16	3402-482	1	Holder, Movable Driven Face Spring	33	3402-730	1	Retainer, Bearing
17	3402-483	8	Roller, Movable Drive Face	34	3423-018	2	Screw



SECONDARY TRANSMISSION ASSEMBLY

0738-929

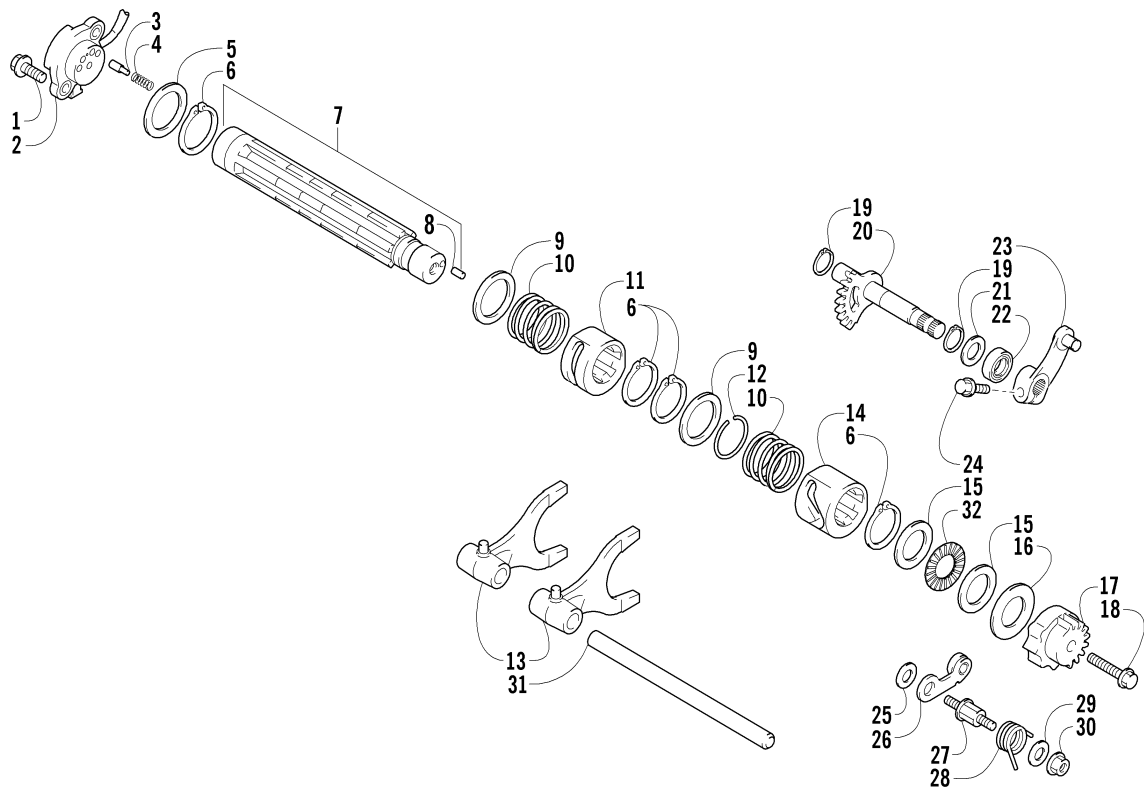
Ref.	Part No.	Qty.	Description	Ref.	Part No.	Qty.	Description
1	3402-045	2	Bearing, Shaft	23	3423-557	1	Circlip
2	3402-381	1	Washer, Drive Gear No. 2 - Right	24	3446-289	1	Gasket
3	3402-497	1	Gear, Drive - No. 2	25	3006-547	2	Pin
4	3423-066	2	Circlip	26	3446-355	1	Housing, Speedometer Sensor
5	3402-821	1	Dog, Reverse Driven Gear	27	3003-290	2	Gasket
6	3402-825	1	Spacer, Reverse Driven Gear	28	3423-091	2	Bolt
7	3423-263	2	Washer	29	3402-838	1	Sensor, Speedometer
8	3402-494	3	Bushing	30	3423-226	1	Bolt
9	3402-498	3	Bearing	31	3402-735	1	Bearing, Shaft
10	3402-822	1	Gear, Reverse Driven	32	3402-835	1	Shaft, Output
11	3423-266	1	Washer, Lock	33	3402-502	1	Bearing, Output Shaft
12	3402-820	1	Countershaft	34	3402-534	1	Gear, Driven - No. 2
13	3423-262	1	Washer, Lock	35	3446-031	2	Retainer, Bearing
14	3402-668	1	Gear, Driven - Low	36	3423-435	2	Screw, Bearing Retainer
15	3423-554	2	Washer, Driven Gear	37	3402-537	1	Seal, Driveshaft - Left
16	3402-824	1	Dog, Sliding	38	3402-499	1	Bearing, Driveshaft - Right
17	3402-733	1	Gear, Driven - High	39	3402-731	1	Driveshaft
18	3423-412	1	Washer, Drive Gear - Left	40	3003-261	1	Bearing, Driveshaft - Left
19	3402-836	1	Seal, Countershaft - Left	41	3402-195	2	Washer, Reverse Idle Gear
20	3423-518	1	Circlip	42	3402-503	1	Gear, Reverse Idle
21	3402-837	1	Rotor	43	3446-103	1	Bushing, Reverse Idle Gear
22	3423-556	1	Washer	44	3402-507	1	Shaft, Reverse Idle



SECONDARY DRIVE ASSEMBLY

0738-922

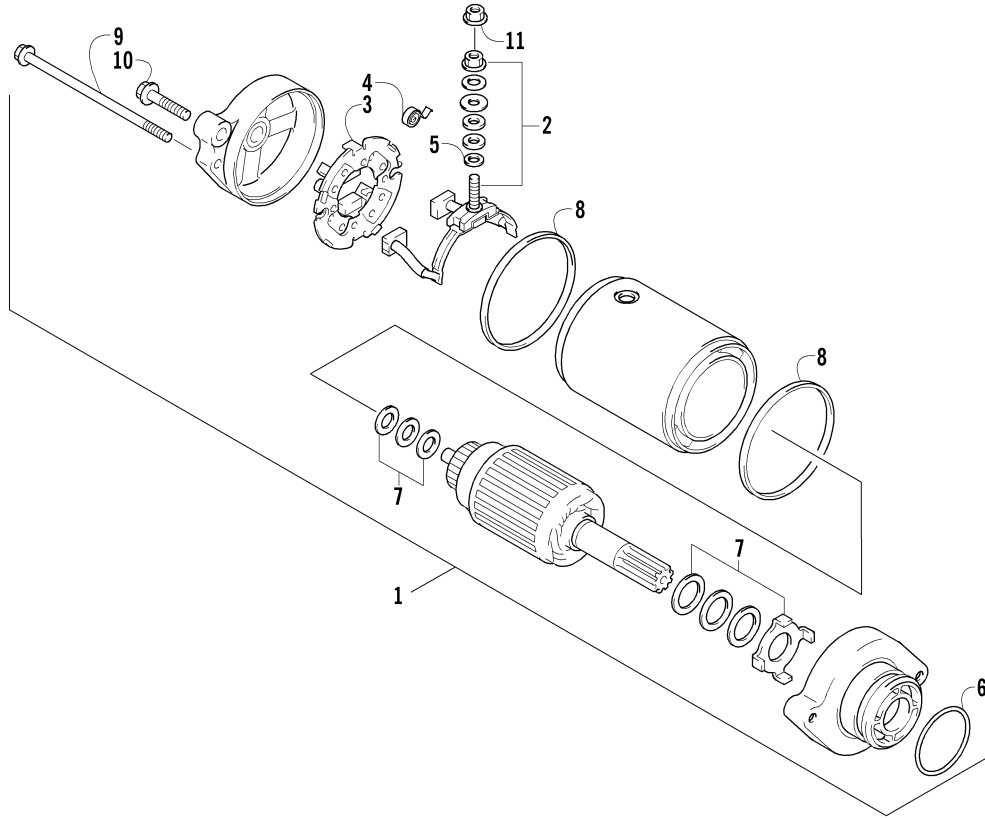
Ref.	Part No.	Qty.	Description	Ref.	Part No.	Qty.	Description
1	3402-744	1	Yoke, Propeller Shaft Joint	11	3402-740	1	Shaft, Secondary Driven - Front
2	3402-562	1	Joint, Universal - Set (inc. 3)	12	3446-035	1	Shim, Secondary Drive Gear - Set
3	3423-479	4	ø Circlip	13	3402-738	1	Gear, Secondary Drive
4	3423-025	2	Nut, Rear Output Joint	14	3005-372	1	Washer
5	3423-028	2	Washer, Rear Output Flange	15	3423-023	1	Nut
6	3402-742	1	Yoke, Drive Output - Front (inc. 7)	16	3402-515	1	Bearing, Driven Gear
7	3402-743	1	ø Plate, Output Yoke	17	3402-739	1	Gear, Secondary Driven
8	3402-072	2	Seal, Oil - Driven Shaft	18	3423-340	2	Circlip, Secondary Driven Gear
9	3402-067	2	Bearing, Driven Shaft	19	3423-072	1	Ring, Driven Bearing
10	3402-017	AR	Shim, 25 x 34 x 0.60 mm	20	3423-415	1	Washer, Driven Shaft
	3402-018	AR	Shim, 25 x 34 x 0.65 mm	21	3402-513	1	Shaft, Secondary Driven - Rear
	3402-019	AR	Shim, 25 x 34 x 0.70 mm	22	3402-514	1	Flange, Output Joint - Rear
	3402-020	AR	Shim, 25 x 34 x 0.75 mm				
	3402-021	AR	Shim, 25 x 34 x 0.80 mm				
	3402-022	AR	Shim, 25 x 34 x 0.85 mm				
	3402-023	AR	Shim, 25 x 34 x 0.90 mm				
	3402-024	AR	Shim, 25 x 34 x 0.95 mm				
	3402-025	AR	Shim, 25 x 34 x 1.00 mm				
	3402-028	AR	Shim, 25 x 34 x 1.05 mm				
	3402-029	AR	Shim, 25 x 34 x 1.10 mm				
	3402-030	AR	Shim, 25 x 34 x 1.15 mm				
	3402-031	AR	Shim, 25 x 34 x 1.20 mm				



GEAR SHIFTING ASSEMBLY

0737-777

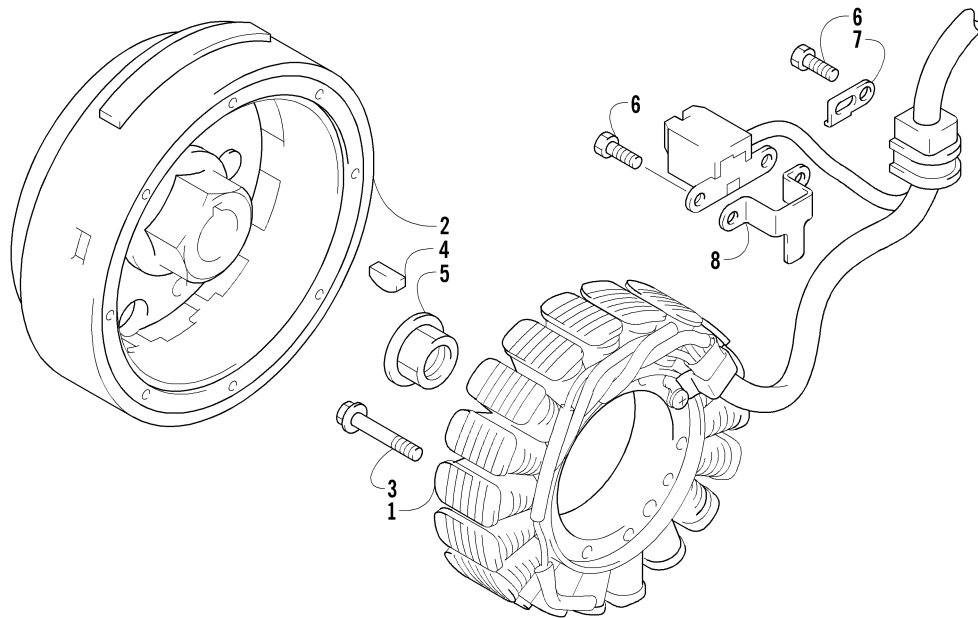
Ref.	Part No.	Qty.	Description	Ref.	Part No.	Qty.	Description
1	3423-418	2	Bolt	17	3402-642	1	Plate, Gear Shift Cam
2	3530-042	1	Base, Gear Shift - Assembly	18	3004-376	1	Bolt, Gear Shift Cam Plate
3	3423-044	2	Contact	19	3423-358	2	Circlip, Sub-Gear Shift Shaft
4	3402-087	2	Spring	20	3402-747	1	Shaft, Sub-Gear Shift
5	3423-421	1	Washer, Shift Shaft	21	1691-043	2	Washer, Sub-Gear Shift Shaft
6	3423-191	4	Circlip, Cam Spring	22	3402-076	1	Seal, Sub-Gear Shift Shaft
7	3402-826	1	Shaft, Gear Shift (inc. 8)	23	3402-434	1	Arm, Select
8	3423-114	1	ø Pin	24	3004-341	1	Bolt, Select Arm
9	3402-382	2	Washer, Cam Spring	25	3423-141	1	Washer, Cam Stopper
10	3446-280	2	Spring, Cam	26	3402-746	2	Stopper, Cam
11	3402-827	1	Cam, Reverse	27	3446-048	1	Support, Cam Stopper
12	3423-416	1	C-Ring, Cam	28	3423-511	1	Spring, Cam Stopper
13	3446-353	2	Fork, Shift	29	3423-438	2	Washer, Cam Stopper Spring
14	3402-828	1	Cam, Gear Shift	30	3004-488	1	Nut, Cam Stopper Spring
15	3402-381	2	Washer, Shift Shaft	31	3446-266	1	Shaft, Shift Fork
16	3423-446	1	Washer, Gear Shift Cam Plate	32	3402-829	1	Bearing



STARTER MOTOR ASSEMBLY

0737-779

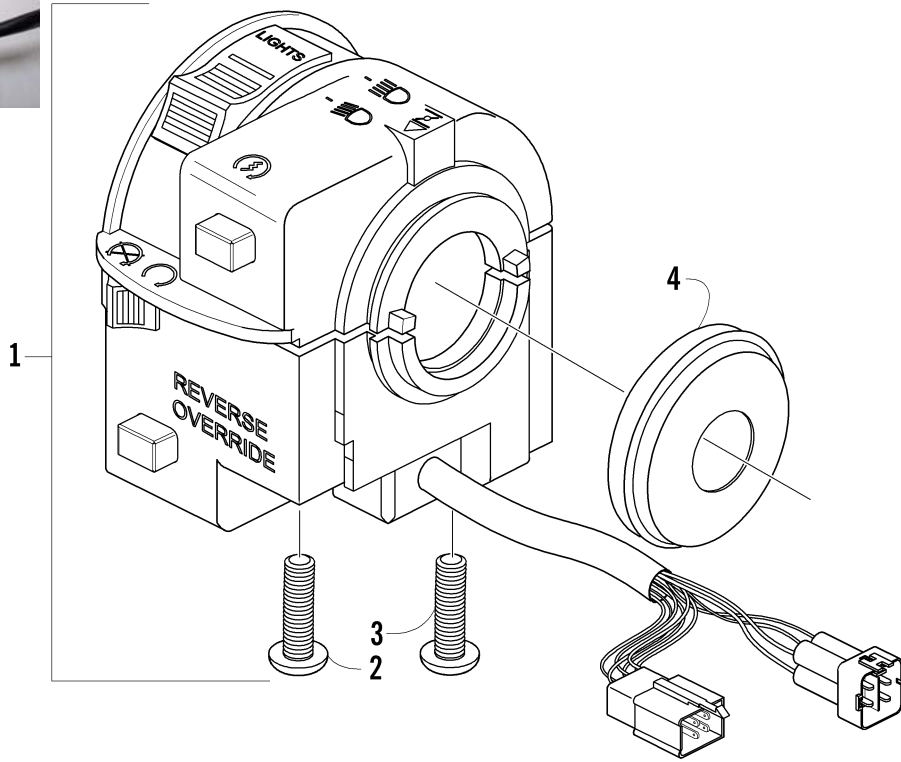
Ref.	Part No.	Qty.	Description	Ref.	Part No.	Qty.	Description
1	3545-015	1	Motor, Starter Assembly (inc. 2-9)	7	3436-001	1	∅ Washer Set
2	3008-094	1	∅ Terminal Set, Brush	8	3008-553	2	∅ O-Ring
3	3008-095	1	∅ Holder Set, Brush	9	3423-085	2	∅ Through-Bolt
4	3008-096	4	∅ Spring, Brush	10	3423-162	2	Screw, Cap
5	3008-164	1	∅ O-Ring	11	3423-195	1	Nut
6	3423-084	1	∅ O-Ring				



MAGNETO ASSEMBLY

0737-780

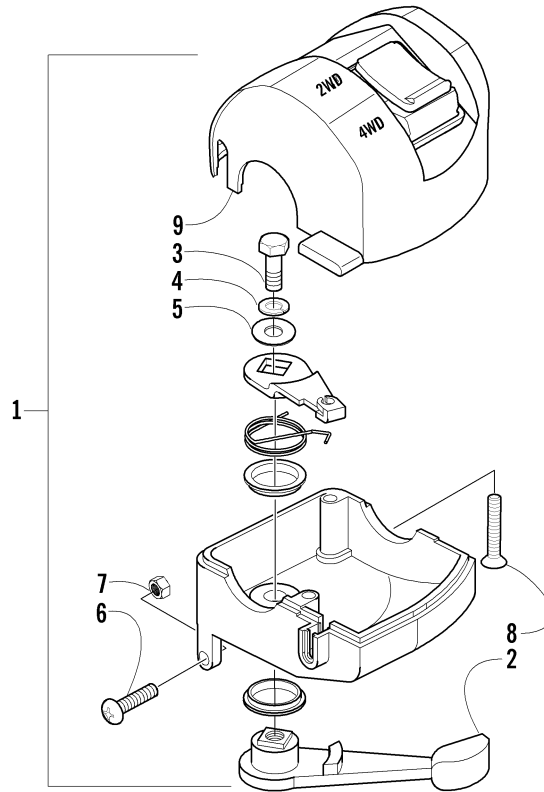
Ref.	Part No.	Qty.	Description	Ref.	Part No.	Qty.	Description
1	3430-058	1	Stator Assembly	5	3423-086	1	Nut
2	3430-046	1	Rotor/Flywheel	6	3423-005	3	Bolt
3	3423-162	3	Bolt	7	3430-006	1	Clamp - No. 1
4	0691-785	1	Key	8	3430-005	1	Clamp - No. 2



CONTROL SWITCH HOUSING ASSEMBLY

0739-980

Ref.	Part No.	Qty.	Description	Ref.	Part No.	Qty.	Description
1	0509-014	4	Switch, Control—Assembly (inc. 2-3)	4	3409-019	4	Cover, Choke-Lever
2	0409-027	4	⌀ Screw	5	AC003-018	1	Switch Combined
3	0409-028	4	⌀ Screw, Cap				



THROTTLE CASE ASSEMBLY

0738-414

Ref.	Part No.	Qty.	Description	Ref.	Part No.	Qty.	Description
1	0509-012	1	Case, Throttle - Assembly (inc. 2-9)	6	3423-014	1	∅ Screw
2	3409-001	1	∅ Lever	7	3423-327	1	∅ Nut
3	3004-533	1	∅ Screw, Cap	8	3423-199	2	∅ Screw
4	3004-447	1	∅ Washer, Lock	9	0409-048	1	∅ Cover, Throttle Case w/Switch
5	3003-030	1	∅ Washer				

RELATED ITEMS

2006 ATV 500 FIS (Automatic Transmission)

Red
Green
Cat Green

0436-479	Articulating Spool Mount	2257-180	Manual, Illustrated Parts
0436-548	Articulating Spool Receiver Mount Adapter	2257-034	Manual, Operator's (E)
0436-679	Bag, Fender - Black	2257-172	Manuel d'utilisation (F)
0436-660	Bag, Rack, Front - Black	0436-626	Rack Basket
0436-480	Bar, Utility/Gun Rack	0436-647	Rack Extension, 4 in. (Front)
0436-619	Brush Guard/Bumper	0436-646	Rack Extension, 8 in. (Rear)
0436-462	Bucket Holder	0436-629	Rapid Blind (Break-Up)
0436-620	Bumper (Rear)	0436-630	Rapid Blind (Shadow Grass)
0436-464	Camp Stove Cradle	0436-628	Rapid Shack (Blue Ice)
0436-454	Cargo Box	0436-511	Rod Holder - Adjustable
0436-625	Cargo Box Quick-Release Kit	0436-635	Snowplow Attachment Kit
0436-459	Carryall (9 x 12)	0436-228	Snowplow Blade, 50 in. - Straight
0436-460	Carryall (11 x 17)	0436-287	Snowplow Blade, 50 in. - One-Way
0436-652	Carryall (14 x 27)	0436-296	Snowplow Blade, 60 in. - Straight
0436-476	Chain Saw Lock	0436-360	Snowplow Blade, 60 in. - One-Way
0436-477	Cord Reel	0436-636	Snowplow, Push Frame
0436-664	Cover, Black and Green	0436-471	Speedclamp, Double
0436-668	Cover, Timber Camo	0436-624	Sprayer System
0436-005	Engine Oil - 10W40	0436-508	Sprayer Boom (120 in.)
0436-003	Engine Oil - 5W30	0436-465	Table, Expansion
0436-466	Fender Box	1402-028	Tire, Titan AT589 (25x8-12, Mud & Snow)
0436-538	Gear Cradle	0402-563	Tire, Titan AT589 (25x10-12, Mud & Snow)
0436-007	Gear Lube (Diff) - 80W90	0436-478	Tool Caddy
0436-501	Grease, High-Performance	0436-297	Tool Holder - Double
0436-627	Gun Scabbard Kit	0436-263	Tool Holder - Single
0436-706	Gun Scabbard Mount	0436-468	Tree Stand/Bow Case Holder
0436-505	Hand Guards - Black	0436-655	Winch, 2500 lb
0436-352	Hand/Thumb Warmers	0436-623	Windshield, Clear w/Black Accent
0436-639	Ice Auger Holder	0436-470	Workbase (8 in.)
0436-463	Light Bar		

■ **NOTE: For a complete list of related items, refer to the current accessory catalog.**