



**ARCTIC CAT**®

[www.ace.ag](http://www.ace.ag)

**650 3in1**

*STREET LEGAL*



**2006**

**Illustrated Parts Manual**

# TABLE OF CONTENTS

2006 650-H1 3in1

Red  
Green  
Lime Green

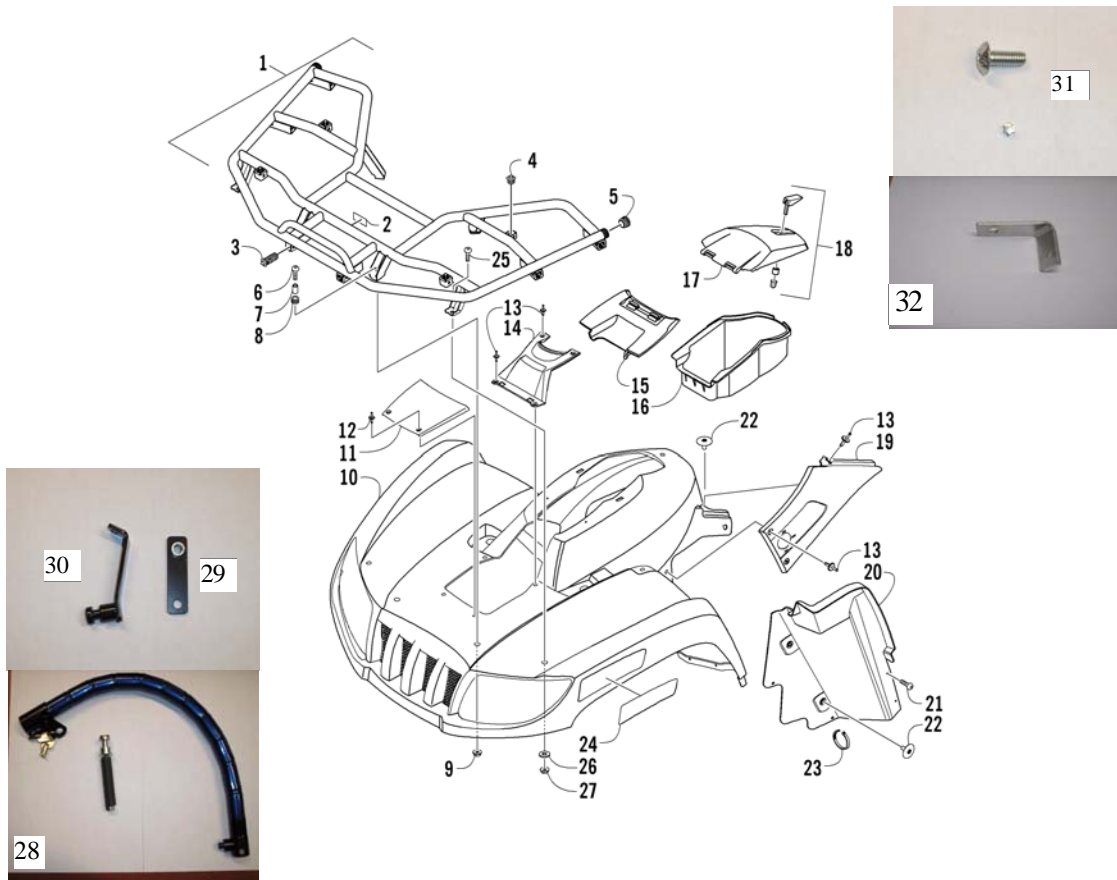
|  |            |
|--|------------|
| FRONT BODY PANEL ASSEMBLY .....            | 1          |
| REAR BODY PANEL ASSEMBLY .....             | 2          |
| TAILLIGHT ASSEMBLY .....                   | 3          |
| DECALS .....                               | 4          |
| FRAME AND RELATED PARTS .....              | 5          |
| SEAT AND BACKREST ASSEMBLY .....           | 6          |
| STEERING POST ASSEMBLY .....               | 7          |
| HANDLEBAR ASSEMBLY .....                   | 8          |
| FRONT SUSPENSION ASSEMBLY .....            | 9          |
| REAR SUSPENSION ASSEMBLY .....             | 10         |
| WHEEL AND TIRE ASSEMBLY .....              | 11         |
| AUXILIARY BRAKE ASSEMBLY .....             | 12         |
| HYDRAULIC HAND BRAKE ASSEMBLY .....        | 13         |
| HYDRAULIC BRAKE ASSEMBLY .....             | 14         |
| GAS TANK ASSEMBLY .....                    | 15         |
| REVERSE SHIFT LEVER ASSEMBLY .....         | 16         |
| AIR INTAKE ASSEMBLY .....                  | 17         |
| BATTERY ASSEMBLY .....                     | 18         |
| ENGINE AND EXHAUST .....                   | 19         |
| COOLING ASSEMBLY .....                     | 20         |
| CASE/BELT COOLING ASSEMBLY .....           | 21         |
| FRONT DRIVE GEARCASE ASSEMBLY .....        | 22         |
| REAR DRIVE GEARCASE ASSEMBLY .....         | 23         |
| WIRING HARNESS ASSEMBLY .....              | 24         |
| CARBURETOR .....                           | 25         |
| CYLINDER HEAD ASSEMBLY .....               | 26         |
| CYLINDER ASSEMBLY .....                    | 27         |
| CRANKCASE ASSEMBLY .....                   | 28         |
| CLUTCH/V-BELT/MAGNETO COVER ASSEMBLY ..... | 29         |
| CRANKSHAFT ASSEMBLY .....                  | 30         |
| STARTER CLUTCH ASSEMBLY .....              | 31         |
| CRANK BALANCER ASSEMBLY .....              | 32         |
| CAMSHAFT/VALVE ASSEMBLY .....              | 33         |
| CAM CHAIN ASSEMBLY .....                   | 34         |
| RECOIL STARTER ASSEMBLY .....              | 35         |
| OIL FILTER/PUMP ASSEMBLY .....             | 36         |
| WATER PUMP ASSEMBLY .....                  | 37         |
| TRANSMISSION ASSEMBLY .....                | 38         |
| SECONDARY TRANSMISSION ASSEMBLY .....      | 39         |
| SECONDARY DRIVE ASSEMBLY .....             | 40         |
| GEAR SHIFTING ASSEMBLY .....               | 41         |
| STARTER MOTOR ASSEMBLY .....               | 42         |
| MAGNETO ASSEMBLY .....                     | 43         |
| CONTROL SWITCH HOUSING ASSEMBLY .....      | 44         |
| THROTTLE CASE ASSEMBLY .....               | 45         |
| RELATED ITEMS .....                        | Back Cover |

■ NOTE: The illustrations used in this Parts Manual are for reference to replacement part numbers only and are not to be used for assembly. For assembly procedures, use an Arctic Cat Service Manual. Underlined part numbers are new for the 2006 model year.

2006 Arctic Cat AG

Printed March 2006

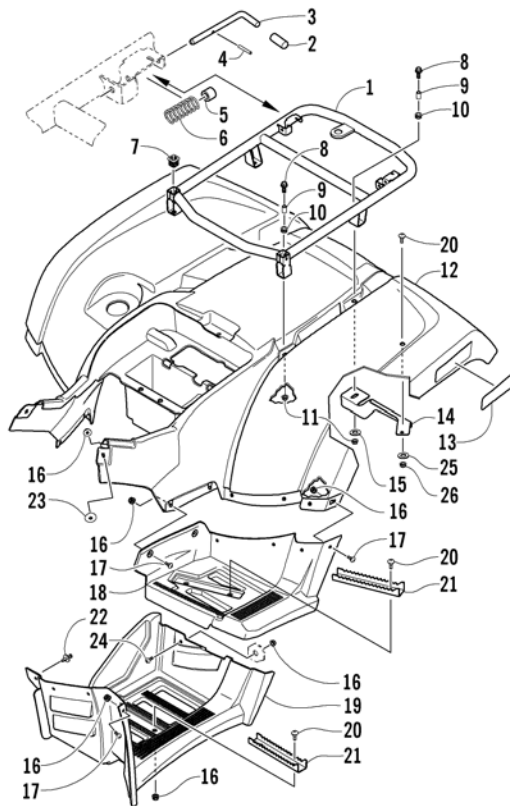
©™ Trademarks of Arctic Cat Inc., Thief River Falls, MN 56701



## FRONT BODY PANEL ASSEMBLY

0739-662

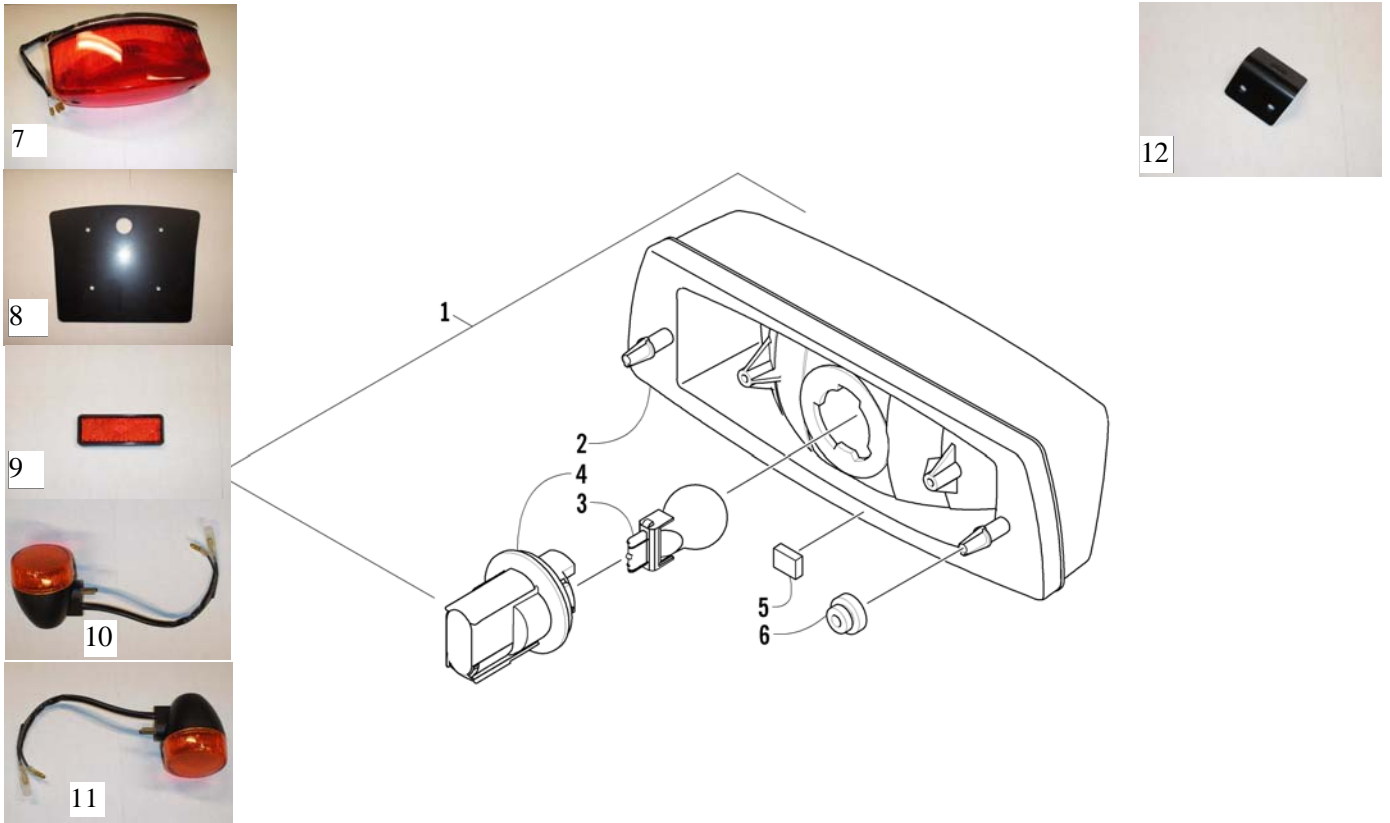
| Ref. | Part No.        | Qty. | Description                        | Ref.      | Part No.         | Qty.     | Description                      |
|------|-----------------|------|------------------------------------|-----------|------------------|----------|----------------------------------|
| 1    | 0541-272        | 1    | Rack - Front - Assembly (inc. 2-5) | 18        | 1406-599         | 1        | Latch, Storage Box               |
| 2    | 0411-576        | 1    | ∅ Decal, Warning - Front Rack Load | 19        | 1406-313         | 1        | Panel, Side - Right              |
| 3    | <u>2406-014</u> | 6    | ∅ Bushing, Rack                    |           | 1406-314         | 1        | Panel, Side - Left               |
| 4    | 0441-592        | 4    | ∅ Bushing, Rack                    | 20        | 1406-354         | 1        | Panel, Splash - Right            |
| 5    | 1441-049        | 2    | ∅ Plug, Rack                       |           | 1406-355         | 1        | Panel, Splash - Left             |
| 6    | <u>8410-830</u> | 4    | Screw, Machine                     | 21        | 0423-342         | 4        | Screw, Self-Tapping              |
| 7    | 0423-463        | 4    | Spacer                             | 22        | 0423-101         | 5        | Screw, Body                      |
| 8    | 0423-465        | 4    | Grommet                            | 23        | 0123-788         | AR       | Cable Tie - 7.5 in.              |
| 9    | 8432-802        | 4    | Nut, Lock                          | 24        | 0411-818         | 1        | Decal, Reflector - Front - Right |
| 10   | 1406-614        | 1    | Panel, Fender - Front              |           | 0411-819         | 1        | Decal, Reflector - Front - Left  |
|      | 1406-613        | 1    | Panel, Fender - Front (Green)      | 25        | 0423-355         | 2        | Screw, Shoulder                  |
|      | 1406-615        | 1    | Panel, Fender - Front (Cat Green)  | 26        | 8050-222         | 2        | Washer                           |
| 11   | 1406-358        | 1    | Cover, Access                      | 27        | 8424-602         | 2        | Nut, Lock                        |
| 12   | 0423-535        | 2    | Rivet, Reinstallable               | <b>28</b> | <b>AC008-790</b> | <b>1</b> | <b>Anti Theft Device</b>         |
| 13   | 0623-362        | 10   | Rivet, Reinstallable               | <b>29</b> | <b>AC008-793</b> | <b>1</b> | <b>Bracket Anti Theft Device</b> |
| 14   | 1406-484        | 1    | Cover, Steering Post               | <b>30</b> | <b>AC008-792</b> | <b>1</b> | <b>Holder Anti Theft Device</b>  |
| 15   | 0470-513        | 1    | Cover, Storage Box                 | <b>31</b> | <b>AC008-795</b> | <b>1</b> | <b>Star Screw</b>                |
| 16   | 1406-573        | 1    | Box, Storage                       | <b>32</b> | <b>AC008-011</b> | <b>1</b> | <b>Holder Panel Left</b>         |
| 17   | 0470-514        | 1    | Lid, Storage Box                   |           | <b>AC008-012</b> | <b>1</b> | <b>Holder Panel Right</b>        |



## REAR BODY PANEL ASSEMBLY

0740-915

| Ref. | Part No.        | Qty. | Description                           | Ref. | Part No.        | Qty. | Description                 |
|------|-----------------|------|---------------------------------------|------|-----------------|------|-----------------------------|
| 1    | <u>1506-873</u> | 1    | Rack, Rear - Assembly (inc. 2-7)      | 15   | <u>2506-093</u> | 1    | Bracket, Rear Fender - Left |
| 2    | 1441-317        | 2    | ø Cap, Vinyl                          | 15   | 0423-087        | 2    | Washer                      |
| 3    | <u>0541-448</u> | 2    | ø Pin - Assembly (inc. 4)             | 16   | 0423-540        | 34   | Nut, Lock                   |
| 4    | 0423-635        | 2    | ø ø Pin, Roll                         | 17   | 0423-419        | 22   | Screw, Machine              |
| 5    | 0423-036        | 2    | ø Collar                              | 18   | 2406-042        | 1    | Footwell, Rear - Right      |
| 6    | 0423-636        | 2    | ø Spring                              |      | 2406-043        | 1    | Footwell, Rear - Left       |
| 7    | 0441-592        | 4    | ø Bushing, Rack                       | 19   | 1506-813        | 1    | Footwell - Right            |
| 8    | 8410-830        | 4    | Screw, Machine                        |      | 1506-814        | 1    | Footwell - Left             |
| 9    | 0423-463        | 4    | Spacer                                | 20   | 0423-355        | 10   | Screw, Shoulder             |
| 10   | 0423-465        | 4    | Grommet                               | 21   | 1506-125        | 4    | Footpeg                     |
| 11   | 8432-802        | 4    | Nut, Lock                             | 22   | 0623-362        | 2    | Rivet, Reinstallable        |
| 12   | 2406-038        | 1    | Panel, Fender - Red                   | 23   | 0423-101        | 2    | Screw, Body                 |
|      | 2406-039        | 1    | Panel, Fender - Green (Green)         | 24   | 8477-620        | 2    | Screw, Machine              |
|      | 2406-040        | 1    | Panel, Fender - Cat Green (Cat Green) | 25   | 0623-184        | 2    | Washer                      |
| 13   | 0411-820        | 1    | Decal, Reflector - Right              | 26   | 8424-602        | 2    | Nut, Hex                    |
|      | 0411-821        | 1    | Decal, Reflector - Left               | 27   | <b>0470-404</b> | 2    | <b>Grommet</b>              |
| 14   | <u>2506-092</u> | 1    | Bracket, Rear Fender - Right          |      |                 |      |                             |

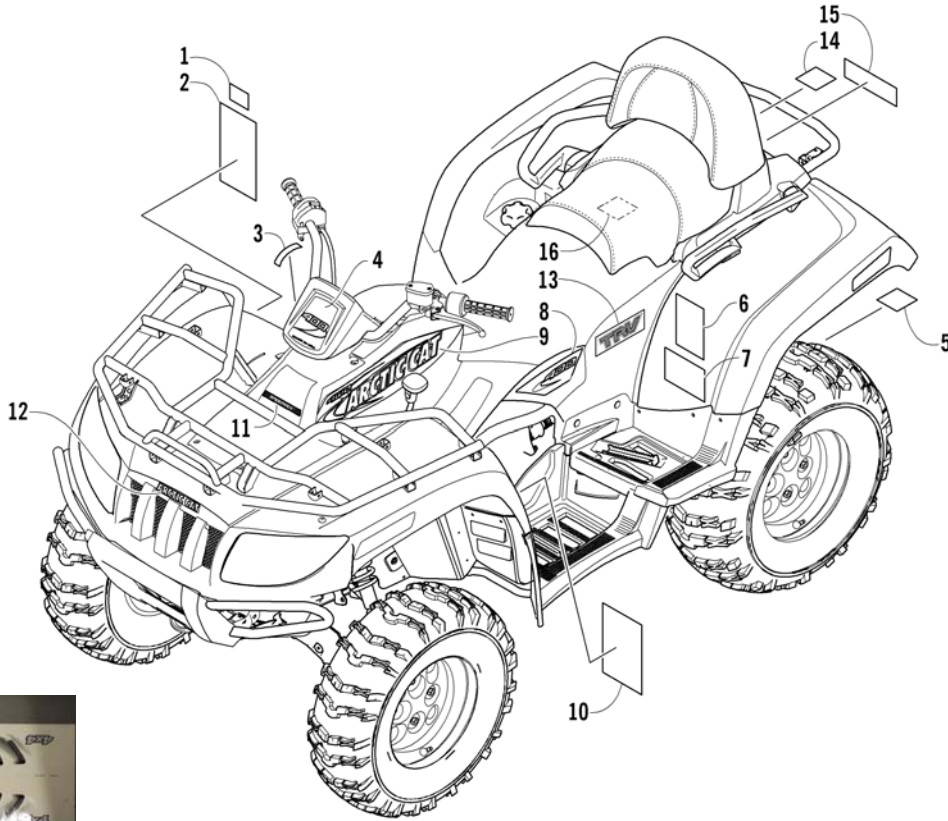


## TAILLIGHT ASSEMBLY

0739-987

| Ref. | Part No. | Qty. | Description                   | Ref. | Part No.  | Qty. | Description          |
|------|----------|------|-------------------------------|------|-----------|------|----------------------|
| 1    | 0509-022 | 4    | Taillight Assembly (inc. 2-4) | 7    | AC003-079 | 1    | Taillight New        |
| 2    | 0509-025 | 4    | ø Housing, Taillight          | 8    | AC008-231 | 1    | Bracket Number Plate |
| 3    | 0409-056 | 4    | ø Bulb, Taillight             | 9    | AC008-139 | 2    | Reflector            |
| 4    | 0409-057 | 4    | ø Socket, Taillight           | 10   | AC003-145 | 1    | Indicator, Left      |
| 5    | 1406-790 | 4    | Pad, Taillight                | 11   | AC003-146 | 1    | Indicator, Right     |
| 6    | 0423-534 | 2    | Grommet                       | 12   | AC008-223 | 2    | Bracket, Indicator   |

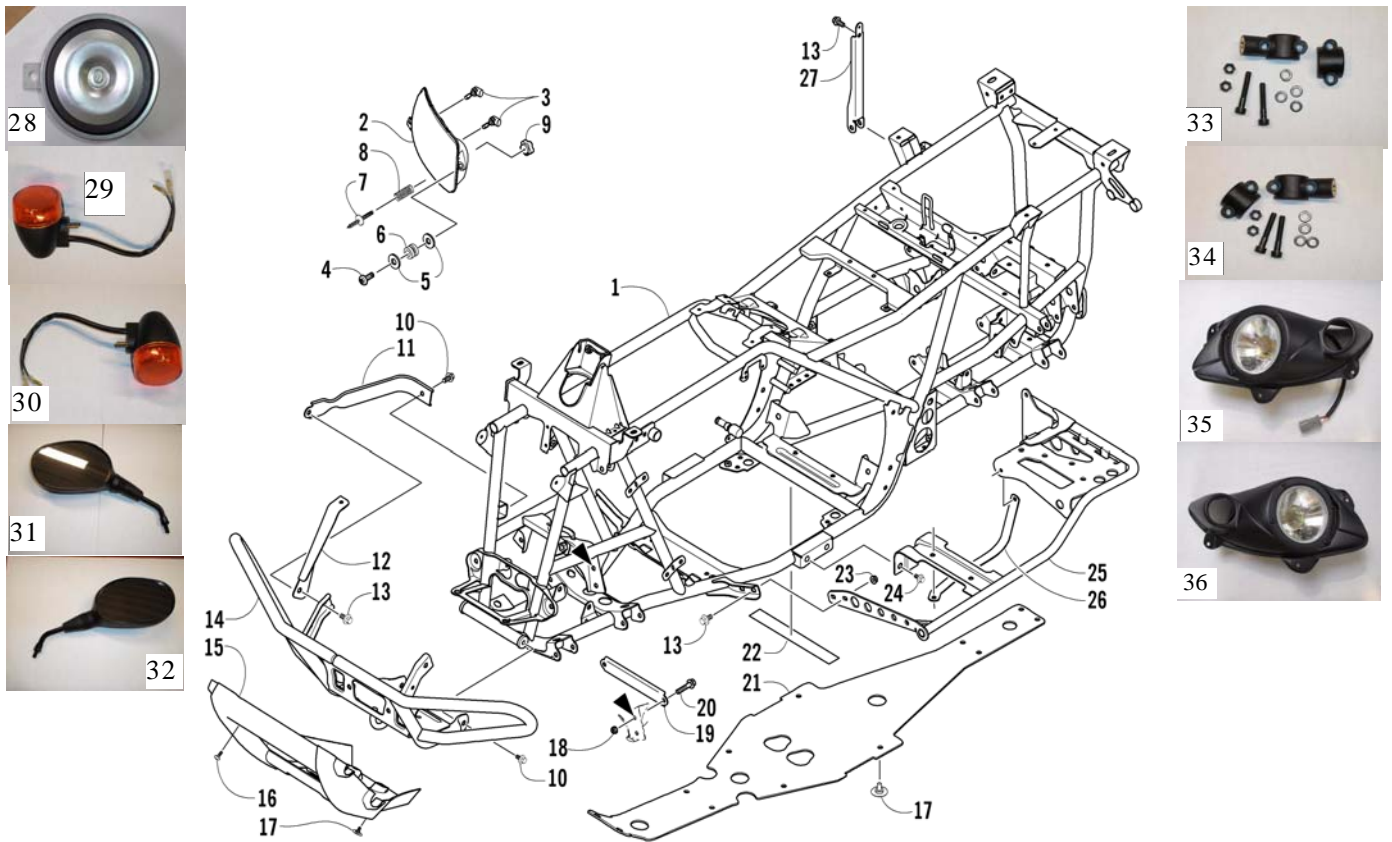
# 2006 650-H1 3in1 Automatic Transmission



## DECALS

0740-992 \*Included on Front/Rear Fender Panels

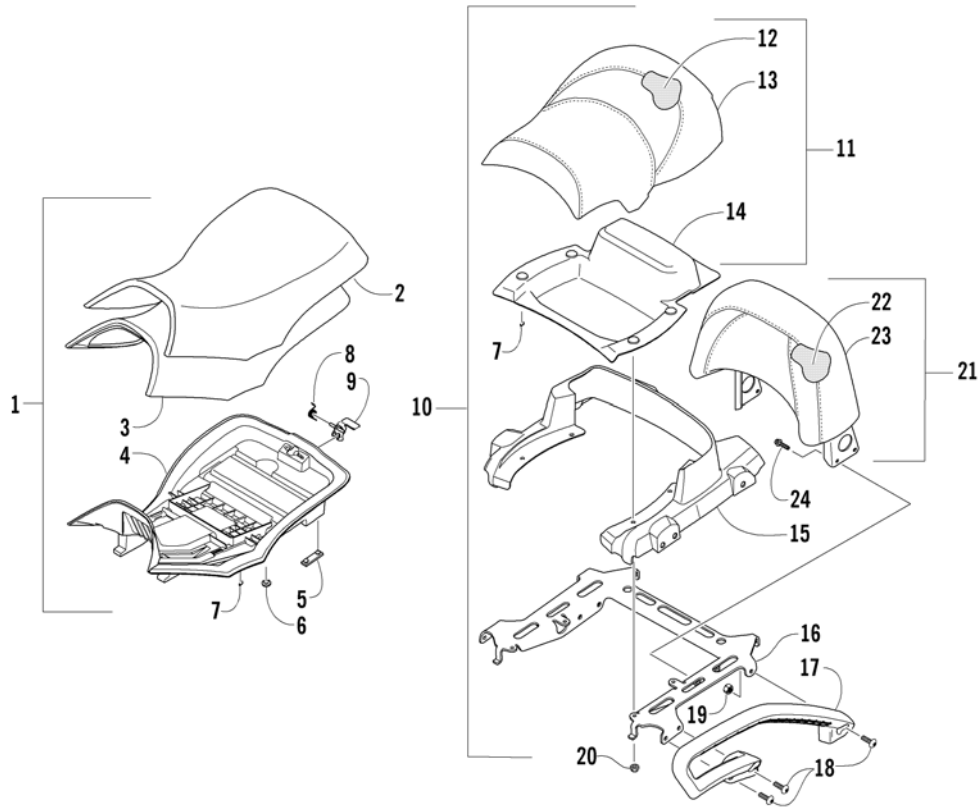
| Ref. | Part No.            | Qty. | Description                         | Ref. | Part No.            | Qty. | Description                         |
|------|---------------------|------|-------------------------------------|------|---------------------|------|-------------------------------------|
| 1    | 0411-666            | 4    | Decal, Warning—Reverse/Pre-Ride*    |      | <del>1411-015</del> | 4    | Decal, Side—Upper Left              |
| 2    | 0411-894            | 4    | Decal, Warning—Hill                 |      | <del>1411-016</del> | 4    | Decal, Side—Upper Right (Green)     |
| 3    | 0411-426            | 1    | Decal, Warning - Clutch Cover       |      | <del>1411-017</del> | 4    | Decal, Side—Upper Left (Green)      |
| 4    | <del>1411-047</del> | 4    | Decal, Instrument Pod               |      | <del>1411-018</del> | 4    | Decal, Side—Upper Right (Cat Green) |
|      | <del>1411-048</del> | 4    | Decal, Instrument Pod (Green)       |      | <del>1411-019</del> | 4    | Decal, Side—Upper Left (Cat Green)  |
|      | <del>1411-049</del> | 4    | Decal, Instrument Pod (Cat Green)   |      | <b>AC001-644</b>    | 1    | <b>ACE-Decal Side LH 500/650</b>    |
|      | <b>AC001-639</b>    | 1    | <b>Decal, Head 500/650</b>          |      | <b>AC001-645</b>    | 1    | <b>ACE-Decal Side RH 500/650</b>    |
| 5    | <del>1411-077</del> | 1    | Decal, Warning - Towing             | 10   | <del>0411-753</del> | 4    | Decal, Warning—Age/General*         |
| 6    | <del>0411-833</del> | 4    | Decal, Passenger                    | 11   | <del>1411-050</del> | 1    | Decal, "Speedrack"                  |
| 7    | 0411-832            | 1    | Decal, Warning - Tire Pressure      | 12   | <del>0411-840</del> | 4    | Decal, Front                        |
| 8    | <del>1411-252</del> | 4    | Decal, Side—Lower Right             |      | <del>0411-839</del> | 4    | Decal, Front (Green)                |
|      | <del>1411-253</del> | 4    | Decal, Side—Lower Left              |      | <del>0411-841</del> | 4    | Decal, Front (Cat Green)            |
|      | <del>1411-254</del> | 4    | Decal, Side—Lower Right (Green)     |      | <b>AC001-630</b>    | 1    | <b>ARTIC CAT, Decal Front</b>       |
|      | <del>1411-255</del> | 4    | Decal, Side—Lower Left (Green)      | 13   | <del>1411-264</del> | 2    | Decal, Graphic—TRV                  |
|      | <del>1411-136</del> | 4    | Decal, Side—Lower Right (Cat Green) |      | <del>1411-266</del> | 2    | Decal, Graphic—TRV (Green)          |
|      | <del>1411-137</del> | 4    | Decal, Side—Lower Left (Cat Green)  |      | <del>1411-262</del> | 2    | Decal, Graphic—TRV (Cat Green)      |
|      | <b>AC001-648</b>    | 1    | <b>ACE-Decal 650 LH</b>             | 14   | <del>1411-251</del> | 4    | Decal, Warning—Seat/Passenger       |
|      | <b>AC001-649</b>    | 1    | <b>ACE-Decal 650 RH</b>             | 15   | <del>0411-814</del> | 4    | Decal, "Arctic Cat"—White           |
| 9    | <del>1411-014</del> | 4    | Decal, Side—Upper Right             | 16   | <del>1411-269</del> | 4    | Decal, Warning—Passenger            |



## FRAME AND RELATED PARTS

0740-926

| Ref. | Part No.            | Qty. | Description                         | Ref. | Part No.         | Qty. | Description                      |
|------|---------------------|------|-------------------------------------|------|------------------|------|----------------------------------|
| 1    | <u>2506-047</u>     | 1    | Frame, Main                         | 19   | 1506-429         | 1    | Brace, A-Arm                     |
| 2    | <del>0509-034</del> | 4    | Headlight Assembly - Right (inc. 3) | 20   | 8409-025         | 2    | Screw, Cap                       |
| 3    | <del>0509-035</del> | 4    | Headlight Assembly - Left (inc. 3)  | 21   | <u>2406-091</u>  | 1    | Panel, Belly                     |
| 4    | <del>0409-055</del> | 4    | Bulb, Headlight                     | 22   | 0406-289         | 1    | Pad, Frame                       |
| 4    | <del>0623-785</del> | 4    | Screw, Self-Tapping                 | 23   | 8424-802         | 8    | Nut, Flange                      |
| 5    | <del>8050-217</del> | 8    | Washer                              | 24   | 8409-016         | 4    | Screw, Cap                       |
| 6    | <del>0423-447</del> | 4    | Grommet                             | 25   | <u>1506-846</u>  | 1    | Footrest - Right                 |
| 7    | <del>0423-514</del> | 2    | Stud, Adjuster - Headlight          |      | <u>1506-847</u>  | 1    | Footrest - Left                  |
| 8    | <del>0423-522</del> | 2    | Spring, Adjuster                    | 26   | <u>1506-994</u>  | 1    | Strap, Footrest - Right          |
| 9    | <del>0423-513</del> | 2    | Knob, Adjuster                      |      | <u>1506-995</u>  | 1    | Strap, Footrest - Left           |
| 10   | 8409-020            | 4    | Screw, Cap                          | 27   | 1506-548         | 1    | Channel, Shock Support           |
| 11   | 1506-725            | 1    | Channel, Bumper Mounting - Right    | 28   | <b>0430-053</b>  | 1    | <b>Horn</b>                      |
|      | 1506-725            | 1    | Channel, Bumper Mounting - Left     |      | <b>2406-031</b>  | 1    | <b>Bracket Mounting Horn</b>     |
| 12   | 1506-562            | 1    | Bracket, Mounting - Bumper - Right  | 29   | <b>AC003-145</b> | 1    | <b>Indicator Left</b>            |
|      | 1506-563            | 1    | Bracket, Mounting - Bumper - Left   | 30   | <b>AC003-146</b> | 1    | <b>Indicator Right</b>           |
| 13   | 8408-816            | 11   | Screw, Cap                          | 31   | <b>AC008-751</b> | 1    | <b>Mirror Left</b>               |
| 14   | <u>1506-855</u>     | 1    | Bumper                              | 32   | <b>AC008-752</b> | 1    | <b>Mirror Right</b>              |
| 15   | 1406-360            | 1    | Grille, Bumper                      | 33   | <b>AC008-753</b> | 1    | <b>Mirror Mounting Left</b>      |
| 16   | 0423-419            | 2    | Screw, Machine                      | 34   | <b>AC008-754</b> | 1    | <b>Mirror Mounting Right</b>     |
| 17   | 0423-101            | 16   | Screw, Body                         | 35   | <b>AC003-021</b> | 1    | <b>Headlight Assy Left 2006</b>  |
| 18   | 8428-002            | 2    | Nut, Lock                           | 36   | <b>AC003-022</b> | 1    | <b>Headlight Assy Right 2006</b> |

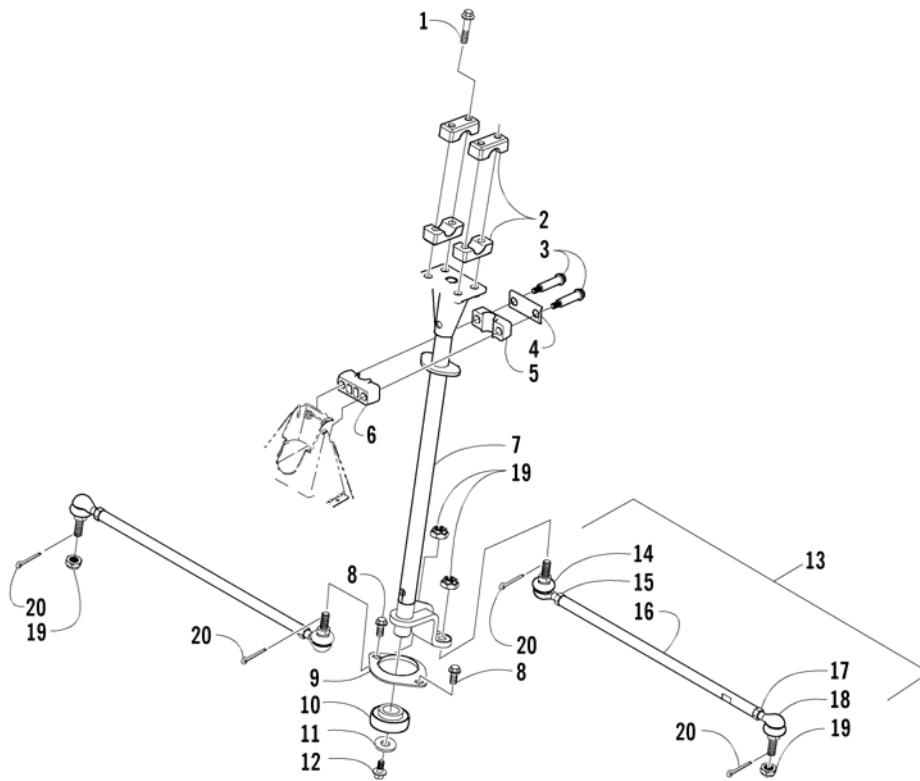


## SEAT AND BACKREST ASSEMBLY

0740-930

| Ref. | Part No.        | Qty. | Description   | Ref. | Part No.        | Qty. | Description                        |
|------|-----------------|------|---|------|-----------------|------|------------------------------------|
| 1    | <u>1506-937</u> | 1    | Seat Assembly (inc. 2-9)                            | 13   | <u>1506-815</u> | 1    | ø ø Cover, Seat - Passenger        |
| 2    | <u>1506-209</u> | 1    | ø Cover, Seat                                       | 14   | <u>2406-110</u> | 1    | ø ø Base, Seat - Inner             |
| 3    | <u>1506-208</u> | 1    | ø Foam, Seat  | 15   | <u>2406-044</u> | 1    | ø Base, Seat - Passenger           |
| 4    | <u>2406-144</u> | 1    | ø Base, Seat - Assembly (inc. 5-6)                  | 16   | <u>1506-932</u> | 1    | ø Bracket, Seat Support - Assembly |
| 5    | <u>0406-879</u> | 2    | ø ø Bumper, Seat - Rear                             | 17   | <u>2406-112</u> | 1    | ø Handhold, Passenger - Right      |
| 6    | <u>0406-877</u> | 4    | ø ø Bumper, Seat - Front                            |      | <u>2406-113</u> | 1    | ø Handhold, Passenger - Left       |
| 7    | <u>0624-528</u> | AR   | ø Staple  | 18   | <u>0423-362</u> | 6    | ø Screw                            |
| 8    | <u>1406-592</u> | 1    | ø Spring, Seat Latch                                | 19   | <u>8432-802</u> | 6    | ø Nut, Hex                         |
| 9    | <u>1506-156</u> | 1    | ø Latch, Seat                                       | 20   | <u>0624-250</u> | 4    | ø Nut, Lock                        |
| 10   | <u>1506-938</u> | 1    | Seat, Passenger - Assembly (inc. 11-20)             | 21   | <u>1506-939</u> | 1    | Backrest Assembly (inc. 22-23)     |
| 11   | <u>2506-064</u> | 1    | ø Seat, Passenger - Sub-Assembly (inc. 7 and 12-14) | 22   | <u>1506-818</u> | 1    | ø Foam, Backrest                   |
| 12   | <u>1506-816</u> | 1    | ø ø Foam, Seat - Passenger                          | 23   | <u>1506-817</u> | 1    | ø Cover, Backrest                  |
|      |                 |      |   | 24   | <u>8408-816</u> | 4    | Screw                              |

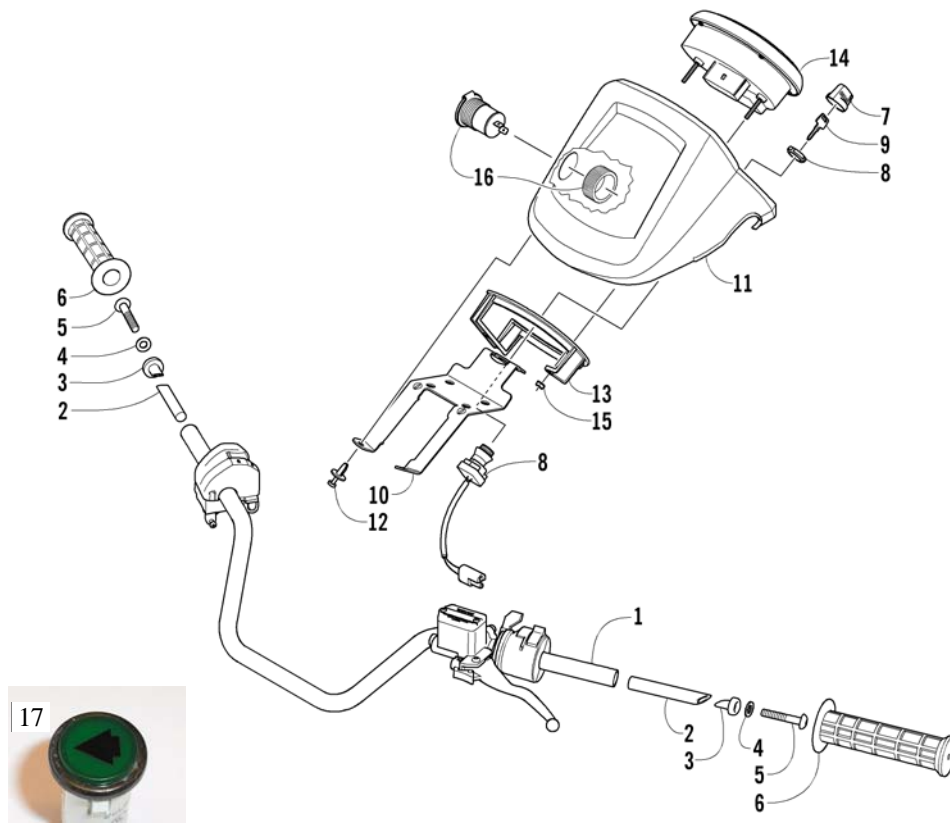




## STEERING POST ASSEMBLY

0739-774

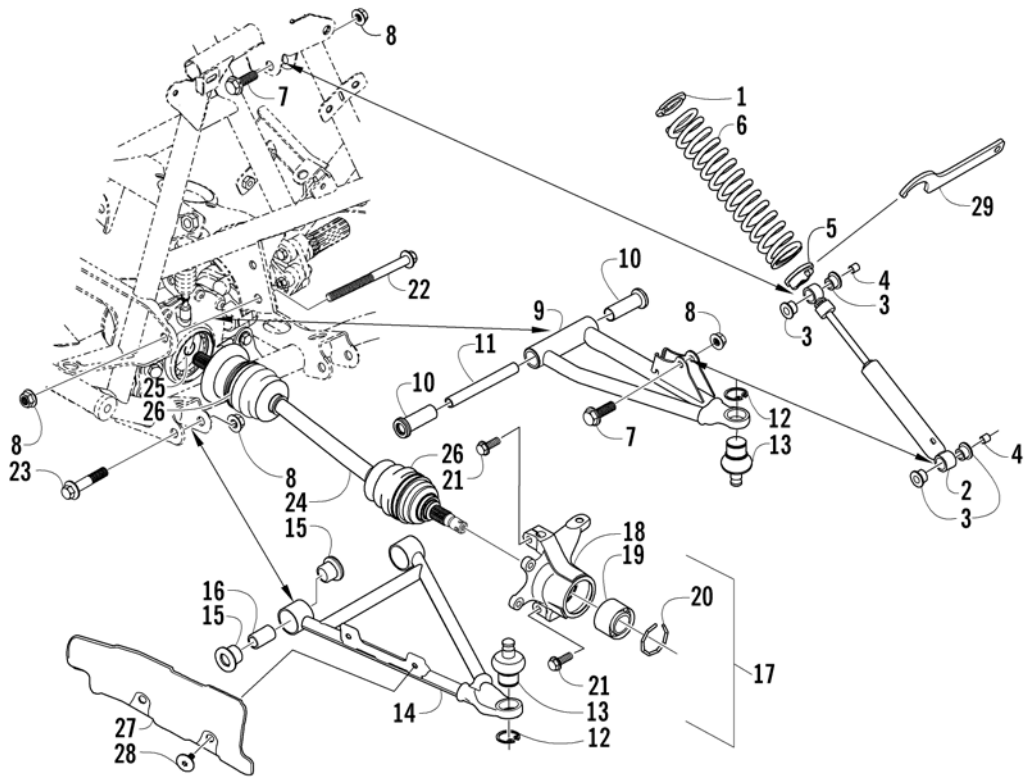
| Ref. | Part No. | Qty. | Description                 | Ref. | Part No. | Qty. | Description                     |
|------|----------|------|-----------------------------|------|----------|------|---------------------------------|
| 1    | 8408-860 | 4    | Screw, Cap                  | 11   | 0423-073 | 1    | Washer                          |
| 2    | 0405-035 | 4    | Cap, Steering Adjuster      | 12   | 8409-020 | 1    | Screw, Cap                      |
| 3    | 0423-505 | 2    | Screw, Shoulder             | 13   | 0505-408 | 2    | Tie Rod - Assembly (inc. 14-18) |
| 4    | 0405-166 | 1    | Cap, Housing                | 14   | 0405-083 | 2    | ∅ Ball Joint, Tie Rod - Left    |
| 5    | 0405-138 | 1    | Housing, Lower              | 15   | 0423-013 | 2    | ∅ Nut - Left                    |
| 6    | 0405-139 | 1    | Housing, Upper              | 16   | 0405-107 | 2    | ∅ Tie Rod                       |
| 7    | 0505-451 | 1    | Post, Steering              | 17   | 8420-002 | 2    | ∅ Nut - Right                   |
| 8    | 8408-816 | 2    | Screw, Cap                  | 18   | 0405-082 | 2    | ∅ Ball Joint, Tie Rod - Right   |
| 9    | 0602-233 | 1    | Flange, Bearing             | 19   | 0423-157 | 4    | Nut, Top Lock                   |
| 10   | 0405-052 | 1    | Bearing w/Inverted Oil Seal | 20   | 0623-175 | 4    | Pin, Cotter                     |



## HANDLEBAR ASSEMBLY

0740-932

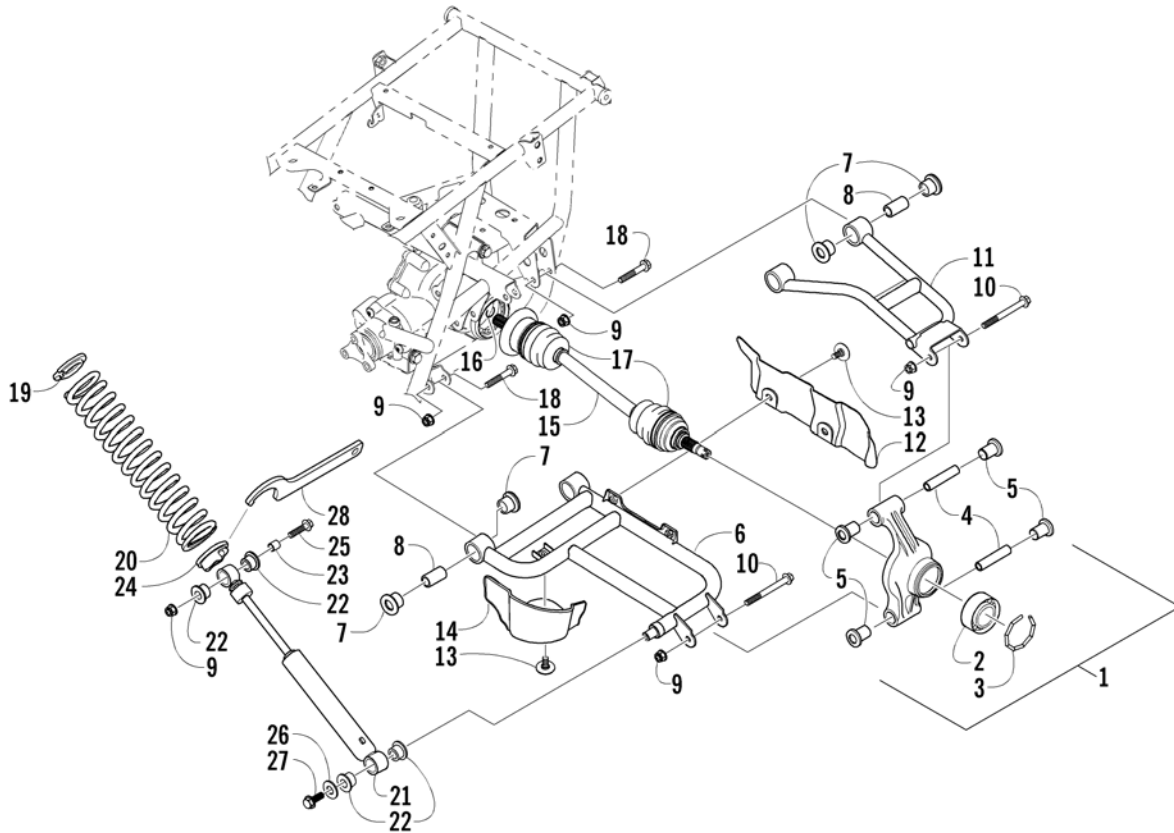
| Ref. | Part No. | Qty. | Description                          | Ref. | Part No.            | Qty. | Description                        |
|------|----------|------|--------------------------------------|------|---------------------|------|------------------------------------|
| 1    | 0505-482 | 1    | Tube, Handlebar                      | 10   | 1506-578            | 1    | Bracket, Mounting - Instrument Pod |
| 2    | 0405-218 | 2    | Plug, Handlebar                      | 11   | <del>0405-188</del> | 1    | Instrument Pod                     |
| 3    | 0405-149 | 2    | End Cap, Handlebar                   |      | <del>0405-189</del> | 1    | Instrument Pod (Green)             |
| 4    | 8050-247 | 2    | Washer                               |      | <del>0405-190</del> | 1    | Instrument Pod (Cat Green)         |
| 5    | 8477-845 | 2    | Screw, Machine                       | 12   | <del>0423-535</del> | 2    | Rivet, Reinstallable               |
| 6    | 0405-147 | 2    | Grip, Handlebar                      | 13   | <del>0420-065</del> | 1    | Clamp                              |
| 7    | 0409-013 | 1    | Cover, Key                           | 14   | <del>0520-014</del> | 4    | <del>Gauge, LCD</del>              |
| 8    | 3430-036 | 1    | Switch, Ignition - Assembly (inc. 9) |      | <b>0520-011</b>     | 1    | <b>Gauge, LCD</b>                  |
| 9    | 3409-007 | 1    | ø Key, Ignition - Blank (C Series)   | 15   | 0423-493            | 2    | Nut, Hex                           |
|      | 3409-011 | 1    | ø Key, Ignition - Blank (D Series)   | 16   | 0641-897            | 1    | Outlet, Accessory - 12V            |
|      | 3409-012 | 1    | ø Key, Ignition - Blank (E Series)   | 17   | <b>0420-072</b>     | 2    | <b>Light Indicator Turn Signal</b> |
|      | 3409-013 | 1    | ø Key, Ignition - Blank (F Series)   |      |                     |      |                                    |



## FRONT SUSPENSION ASSEMBLY

0739-603 \*Not a Service Part

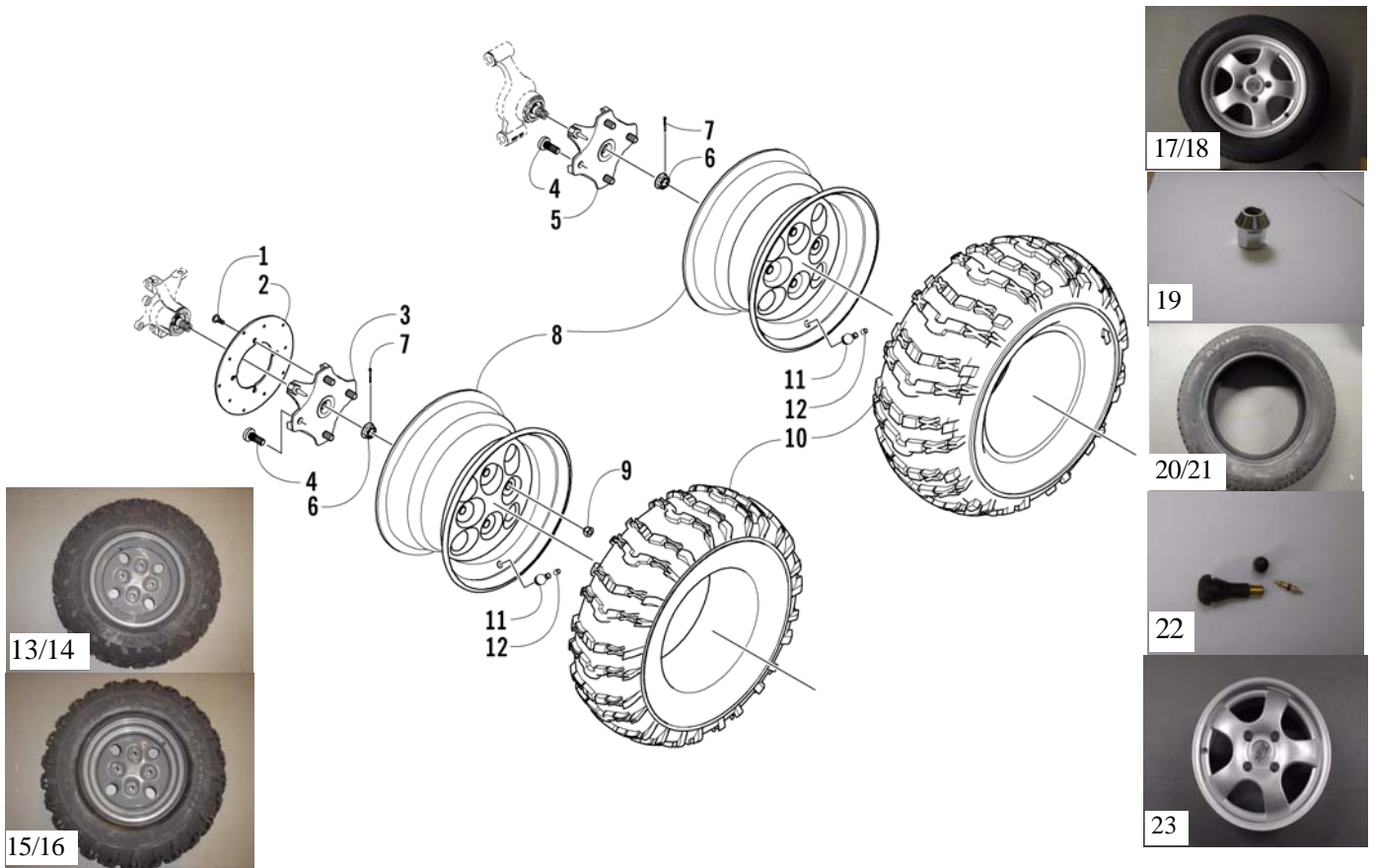
| Ref. | Part No.        | Qty. | Description  | Ref. | Part No.        | Qty. | Description                             |
|------|-----------------|------|--|------|-----------------|------|---|
| 1    | 1603-889        | 2    | Retainer, Spring   | 15   | 0403-115        | 8    | ∅ Bushing                               |
| 2    | 0403-137        | 2    | Shock Absorber - Front (inc. 3-4)                            | 16   | 0403-114        | 4    | ∅ Collar                                |
| 3    | 0604-310        | 8    | ∅ Bushing, Shock Absorber                                    | 17   | <u>0505-460</u> | 1    | Knuckle - Assembly - Right (inc. 18-20) |
| 4    | 0403-028        | 4    | ∅ Sleeve, Shock  |      | <u>0505-461</u> | 1    | Knuckle - Assembly - Left (inc. 18-20)  |
| 5    | 0403-102        | 2    | Cam, Spring Adjuster   | 18   | *               | 1    | ∅ Knuckle, Steering - Right             |
| 6    | <u>0503-318</u> | 2    | Spring, Shock Absorber - Platinum                            |      | *               | 1    | ∅ Knuckle, Steering - Left              |
|      | <u>0503-317</u> | 2    | Spring, Shock Absorber - Black (Green)                       | 19   | 1402-027        | 2    | ∅ Bearing, Wheel Hub                    |
| 7    | 8409-040        | 4    | Screw, Cap   | 20   | 0423-423        | 2    | ∅ Ring, Retaining                       |
| 8    | 8428-002        | 10   | Nut, Lock  | 21   | 8409-030        | 4    | Screw, Cap                              |
| 9    | <u>0503-272</u> | 1    | A-Arm, Upper Right - Platinum (inc. 10-13)                   | 22   | 0423-334        | 2    | Screw, Cap                              |
|      | <u>0503-273</u> | 1    | A-Arm, Upper Left - Platinum (inc. 10-13)                    | 23   | 8409-075        | 4    | Screw, Cap                              |
|      | <u>0503-196</u> | 1    | A-Arm, Upper Right - Black (inc. 10-13)<br>(Green)           | 24   | <u>0502-812</u> | 2    | Axle, Drive - Front (inc. 25-26)        |
|      | <u>0503-197</u> | 1    | A-Arm, Upper Left - Black (inc. 10-13)<br>(Green)            | 25   | 0441-400        | 2    | ∅ Clip, Retaining                       |
| 10   | 0403-081        | 4    | ∅ Bushing  | 26   | 0436-276        | 2    | ∅ Repair Kit, Boot                      |
| 11   | 0403-080        | 2    | ∅ Collar   | 27   | <u>0441-752</u> | 1    | Guard, Boot - Right                     |
| 12   | 0423-009        | 4    | ∅ Clip, Ball Joint   |      | <u>0441-753</u> | 1    | Guard, Boot - Left                      |
| 13   | 0405-115        | 4    | ∅ Ball Joint - Front   |      | <u>1441-002</u> | 1    | Guard, Boot - Right (Green)             |
| 14   | <u>0503-268</u> | 1    | A-Arm, Lower Right - Platinum<br>(inc. 12-13 and 15-16)      |      | <u>1441-003</u> | 1    | Guard, Boot - Left (Green)              |
|      | <u>0503-269</u> | 1    | A-Arm, Lower Left - Platinum<br>(inc. 12-13 and 15-16)       |      | <u>0441-756</u> | 1    | Guard, Boot - Right (Cat Green)         |
|      | <u>0503-220</u> | 1    | A-Arm, Lower Right - Black<br>(inc. 12-13 and 15-16) (Green) |      | <u>0441-757</u> | 1    | Guard, Boot - Left (Cat Green)          |
|      | <u>0503-221</u> | 1    | A-Arm, Lower Left - Black<br>(inc. 12-13 and 15-16) (Green)  | 28   | 0423-101        | 4    | Screw, Body                             |
|      |                 |      |  | 29   | 0441-587        | 1    | Wrench, Spanner                         |



## REAR SUSPENSION ASSEMBLY

0740-933

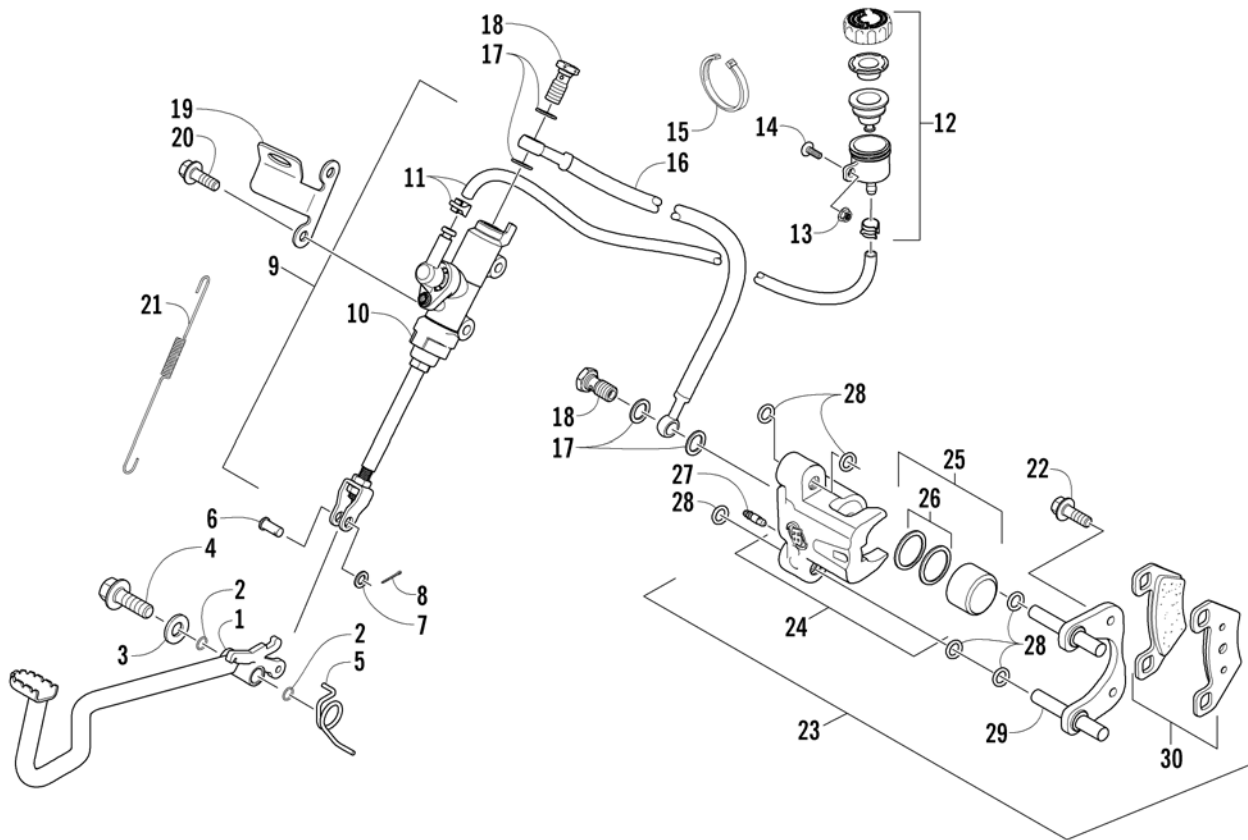
| Ref. | Part No.        | Qty. | Description  | Ref. | Part No.        | Qty. | Description                        |
|------|-----------------|------|--|------|-----------------|------|------------------------------------|
| 1    | 0504-372        | 1    | Knuckle, Right Rear - Assembly (inc. 2-5)            | 12   | <u>0441-754</u> | 1    | Guard, Boot - Right                |
|      | 0504-373        | 1    | Knuckle, Left Rear - Assembly (inc. 2-5)             |      | <u>0441-755</u> | 1    | Guard, Boot - Left                 |
| 2    | 1402-027        | 2    | ø Bearing, Wheel Hub                                 |      | <u>1441-004</u> | 1    | Guard, Boot - Right (Green)        |
| 3    | 0423-423        | 2    | ø Ring, Retaining                                    |      | <u>1441-005</u> | 1    | Guard, Boot - Left (Green)         |
| 4    | 0403-038        | 4    | ø Collar, Suspension Bushing                         |      | <u>0441-758</u> | 1    | Guard, Boot - Right (Cat Green)    |
| 5    | 0403-032        | 8    | ø Bushing, Suspension                                |      | <u>0441-759</u> | 1    | Guard, Boot - Left (Cat Green)     |
| 6    | <u>0504-326</u> | 1    | A-Arm, Rear - Lower Right - Platinum (inc. 7-8)      | 13   | 0423-101        | 6    | Screw, Body                        |
|      | <u>0504-327</u> | 1    | A-Arm, Rear - Lower Left - Platinum (inc. 7-8)       | 14   | 1406-071        | 1    | Guard, Boot - Right                |
|      | 0504-320        | 1    | A-Arm, Rear - Lower Right - Black (inc. 7-8) (Green) |      | 1406-072        | 1    | Guard, Boot - Left                 |
|      | 0504-321        | 1    | A-Arm, Rear - Lower Left - Black (inc. 7-8) (Green)  | 15   | <u>0502-811</u> | 2    | Axle, Drive - Rear (inc. 16-17)    |
| 7    | 0403-115        | 16   | ø Bushing  | 16   | 0441-400        | 2    | ø Clip, Retaining                  |
| 8    | 0403-114        | 8    | ø Collar   | 17   | 0436-276        | 2    | ø Repair Kit, Boot                 |
| 9    | 8428-002        | 14   | Nut, Lock  | 18   | 8409-075        | 8    | Screw, Cap                         |
| 10   | 8409-000        | 4    | Screw, Cap   | 19   | 1603-889        | 2    | Retainer, Spring                   |
| 11   | <u>0504-330</u> | 1    | A-Arm, Rear - Upper Right - Platinum (inc. 7-8)      | 20   | <u>0404-127</u> | 2    | Spring, Suspension - Platinum      |
|      | <u>0504-331</u> | 1    | A-Arm, Rear - Upper Left - Platinum (inc. 7-8)       |      | <u>0404-126</u> | 2    | Spring, Suspension - Black (Green) |
|      | 0504-318        | 1    | A-Arm, Rear - Upper Right - Black (inc. 7-8) (Green) | 21   | 0404-099        | 2    | Shock Absorber - Rear (inc. 22-23) |
|      | 0504-319        | 1    | A-Arm, Rear - Upper Left - Black (inc. 7-8) (Green)  | 22   | 0604-310        | 8    | ø Bushing, Shock Absorber          |
|      |                 |      |  | 23   | 0403-028        | 2    | ø Sleeve, Shock Absorber           |
|      |                 |      |  | 24   | 0404-057        | 2    | Cam, Spring Adjuster               |
|      |                 |      |  | 25   | 8409-050        | 2    | Screw, Cap                         |
|      |                 |      |  | 26   | 0423-087        | 2    | Washer                             |
|      |                 |      |  | 27   | 8408-820        | 2    | Screw, Cap                         |
|      |                 |      |  | 28   | 0441-587        | 1    | Wrench, Spanner                    |



## WHEEL AND TIRE ASSEMBLY

0740-358

| Ref. | Part No. | Qty. | Description                        | Ref. | Part No.  | Qty. | Description                                |
|------|----------|------|------------------------------------|------|-----------|------|--|
| 1    | 0423-557 | 12   | Screw, Shoulder w/Loctite          | 12   | 0402-140  | 4    | ø Cap, Valve Stem                          |
| 2    | 1402-225 | 3    | Disc, Brake                        | 13   | 0502-464  | 1    | Wheel, Gray RH 25x8-12                     |
| 3    | 0502-599 | 2    | Hub, Wheel - Front (inc. 4)        | 14   | 0502-465  | 1    | Wheel, Gray LH 25x8-12                     |
| 4    | 0402-974 | 16   | ø Stud, Wheel Hub                  | 15   | 0502-505  | 1    | Wheel, Gray RH 25x11-12                    |
| 5    | 0502-601 | 1    | Hub, Wheel - Rear - Left (inc. 4)  | 16   | 0502-506  | 1    | Wheel, Gray LH 25x11-12                    |
|      | 0502-599 | 1    | Hub, Wheel - Rear - Right (inc. 4) | 17   | AC007-203 | 2    | Wheel Assy. Onroad Front (inc. 20, 22, 23) |
| 6    | 0423-607 | 4    | Nut, Castle Flange                 | 18   | AC007-216 | 2    | Wheel Assy. Onroad Rear (inc. 21-23)       |
| 7    | 0423-407 | 4    | Pin, Cotter                        | 19   | AC007-217 | 16   | Nut, Aluminium Rim Silver                  |
| 8    | 1402-127 | 2    | Wheel - Front - Platinum           | 20   | AC007-202 | 1    | Road Tire 185/65-15                        |
|      | 1402-115 | 2    | Wheel - Rear - Platinum            | 21   | AC007-215 | 1    | Road Tire 205/60-15                        |
|      | 0402-856 | 2    | Wheel - Front - Gray               | 22   | AC007-209 | 1    | Valve Wheel, Road Tire                     |
|      | 0402-858 | 2    | Wheel - Rear - Gray                | 23   | AC007-221 | 1    | Aluminium Rim Silver                       |
| 9    | 0423-408 | 16   | Nut, Mounting - Wheel              |      |           |      |  |
| 10   | 1402-100 | 2    | Tire - Front                       |      |           |      |  |
|      | 1402-137 | 2    | Tire - Rear                        |      |           |      |  |
| 11   | 0402-064 | 4    | Stem, Valve (inc. 12)              |      |           |      |  |

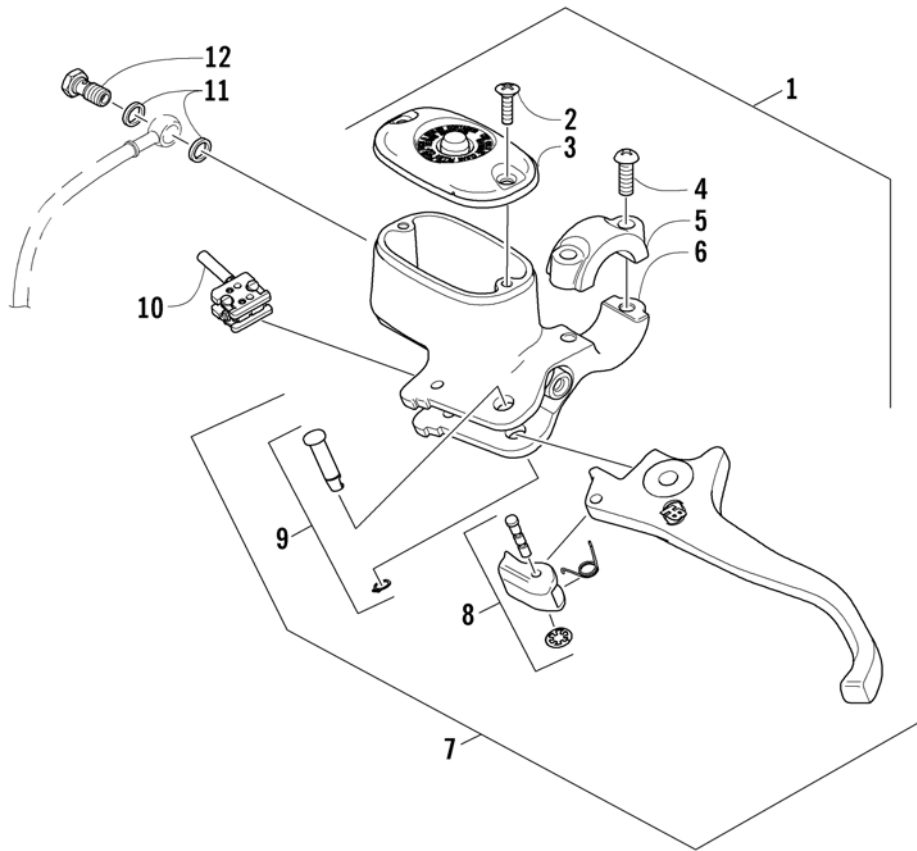


## AUXILIARY BRAKE ASSEMBLY

(Fully Bled Master Cylinder Replacement Kit p/n 0502-939)

0740-359 \*Not a Service Part

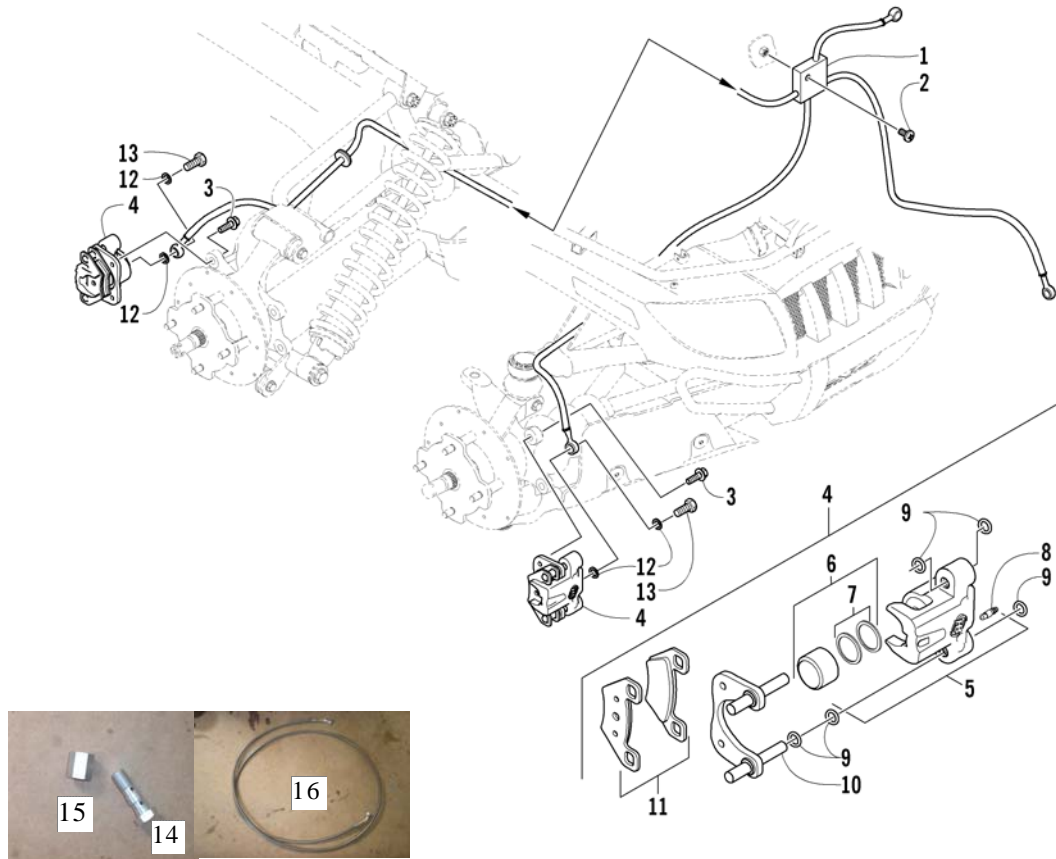
| Ref. | Part No.        | Qty. | Description                 | Ref. | Part No.        | Qty. | Description  |
|------|-----------------|------|-----------------------------|------|-----------------|------|--|
| 1    | <u>0502-805</u> | 1    | Lever, Brake                | 17   | 0423-178        | 4    | Washer, Crush  |
| 2    | 1602-213        | 2    | O-Ring                      | 18   | 0423-413        | 2    | Bolt, Banjo Fitting                                      |
| 3    | 8050-252        | 1    | Washer                      | 19   | <u>0502-840</u> | 1    | Bracket, Switch  |
| 4    | 8408-816        | 1    | Screw, Cap                  | 20   | 8408-625        | 2    | Screw, Cap   |
| 5    | <u>0502-807</u> | 1    | Spring, Brake Lever         | 21   | <u>0502-785</u> | 1    | Spring, Brake Switch                                     |
| 6    | 1402-377        | 1    | Pin, Clevis                 | 22   | 8408-820        | 2    | Screw, Cap   |
| 7    | 8050-217        | 1    | Washer                      | 23   | 0502-602        | 1    | Caliper, Brake (inc. 24-30)                              |
| 8    | 0402-584        | 1    | Pin, Cotter                 | 24   | 0502-603        | 1    | ∅ Housing, Caliper - Assembly - Right Front (inc. 25-27) |
| 9    | <u>0502-881</u> | 1    | Brake Assembly (inc. 10-12) | 25   | 0502-606        | 1    | ∅ ∅ Piston/Seal Set (inc. 26)                            |
| 10   | *               | 1    | ∅ Master Cylinder           | 26   | 0502-607        | 1    | ∅ ∅ Seal Set   |
| 11   | <u>0502-880</u> | 1    | ∅ Hose, Brake Reservoir     | 27   | 0502-609        | 1    | ∅ ∅ Valve, Bleed   |
| 12   | <u>0502-877</u> | 1    | ∅ Reservoir, Brake          | 28   | 0502-608        | 1    | ∅ O-Ring, Guide - Set                                    |
| 13   | 0623-038        | 1    | Nut, Flanged                | 29   | 0502-605        | 1    | ∅ Bracket Assembly                                       |
| 14   | 8476-616        | 1    | Screw, Machine              | 30   | <u>0502-875</u> | 1    | ∅ Pad, Brake - Set                                       |
| 15   | 0123-788        | 1    | Cable Tie - 7.5 in.         |      |                 |      |  |
| 16   | <u>1402-417</u> | 1    | Hose, Brake                 |      |                 |      |  |



## HYDRAULIC HAND BRAKE ASSEMBLY

0739-479

| Ref. | Part No.        | Qty. | Description                          | Ref. | Part No.        | Qty. | Description                       |
|------|-----------------|------|--------------------------------------|------|-----------------|------|-----------------------------------|
| 1    | <u>0502-914</u> | 1    | Brake Assembly (inc. 2-10)           | 7    | <u>0502-866</u> | 1    | ø Lever Assembly - Kit (inc. 8-9) |
| 2    | <u>0502-566</u> | 1    | ø Screw, Reservoir Cover - Kit       | 8    | <u>0502-867</u> | 1    | ø ø Lock, Brake Lever - Kit       |
| 3    | <u>0502-868</u> | 1    | ø Cover, Reservoir - Kit             | 9    | 0502-580        | 1    | ø ø Lever Pin - Kit               |
| 4    | <u>0502-568</u> | 1    | ø Screw, Master Cylinder Clamp - Kit | 10   | 0502-564        | 1    | ø Switch, Brake - Kit             |
| 5    | <u>0502-869</u> | 1    | ø Clamp, Master Cylinder - Kit       | 11   | 0423-178        | 2    | Washer, Crush                     |
| 6    | <u>0502-704</u> | 1    | ø Master Cylinder Assembly - Kit     | 12   | 0423-413        | 1    | Bolt, Banjo Fitting               |

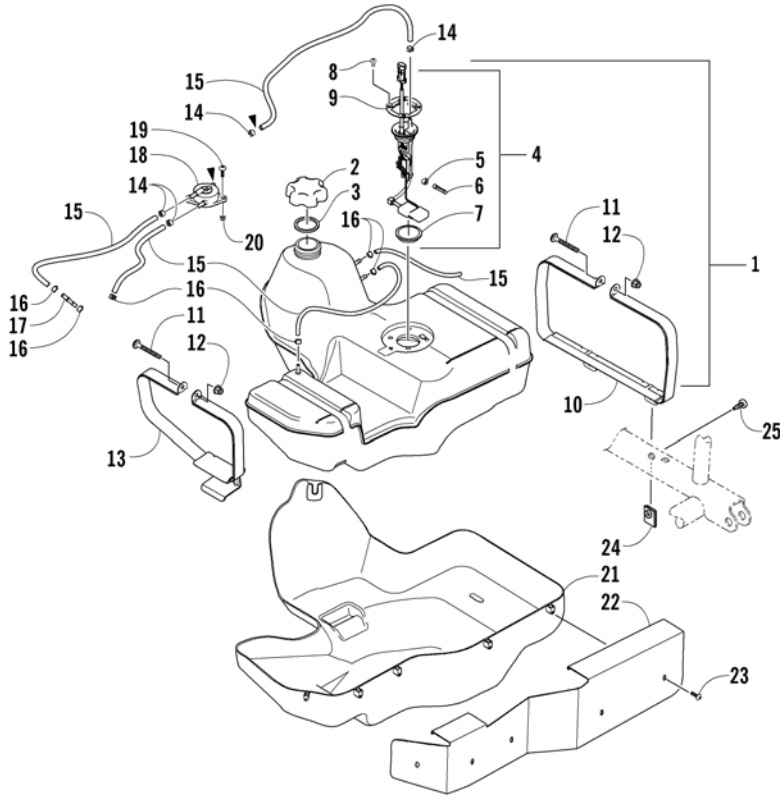


## HYDRAULIC BRAKE ASSEMBLY

0740-935

| Ref. | Part No.        | Qty. | Description  | Ref. | Part No.        | Qty. | Description                       |
|------|-----------------|------|--|------|-----------------|------|-----------------------------------|
| 1    | <u>1502-035</u> | 1    | Hose, Brake - Assembly   | 7    | 0502-607        | 3    | ∅ ∅ ∅ Seal Set                    |
| 2    | 8476-625        | 1    | Screw, Cap   | 8    | 0502-609        | 3    | ∅ ∅ Valve, Bleed                  |
| 3    | 8408-820        | 6    | Screw, Cap   | 9    | 0502-608        | 3    | ∅ O-Ring, Guide - Set             |
| 4    | 0502-602        | 1    | Caliper, Brake - Right Front (inc. 5-11)                             | 10   | 0502-605        | 3    | ∅ Bracket Assembly                |
|      | 0502-610        | 2    | Caliper, Brake - Left Front and Right Rear (inc. 5-11)               | 11   | <u>0502-875</u> | 3    | ∅ Pad, Brake - Set                |
| 5    | 0502-603        | 1    | ∅ Housing, Caliper - Assembly - Right Front (inc. 6-8)               | 12   | 0423-178        | 6    | Washer, Crush                     |
|      | 0502-611        | 2    | ∅ Housing, Caliper - Assembly - Left Front and Right Rear (inc. 6-8) | 13   | 0423-413        | 3    | Bolt, Banjo Fitting               |
| 6    | 0502-606        | 3    | ∅ ∅ Piston/Seal Set (inc. 7)   | 14   | <b>0423-610</b> | 1    | <b>Bolt, Double Banjo Fitting</b> |
|      |                 |      |  | 15   | <b>0423-676</b> | 1    | <b>Cap, Banjo M10x1.25 THDS</b>   |
|      |                 |      |  | 16   | <b>1402-539</b> | 1    | <b>Hose, Brake - 2181 LG</b>      |

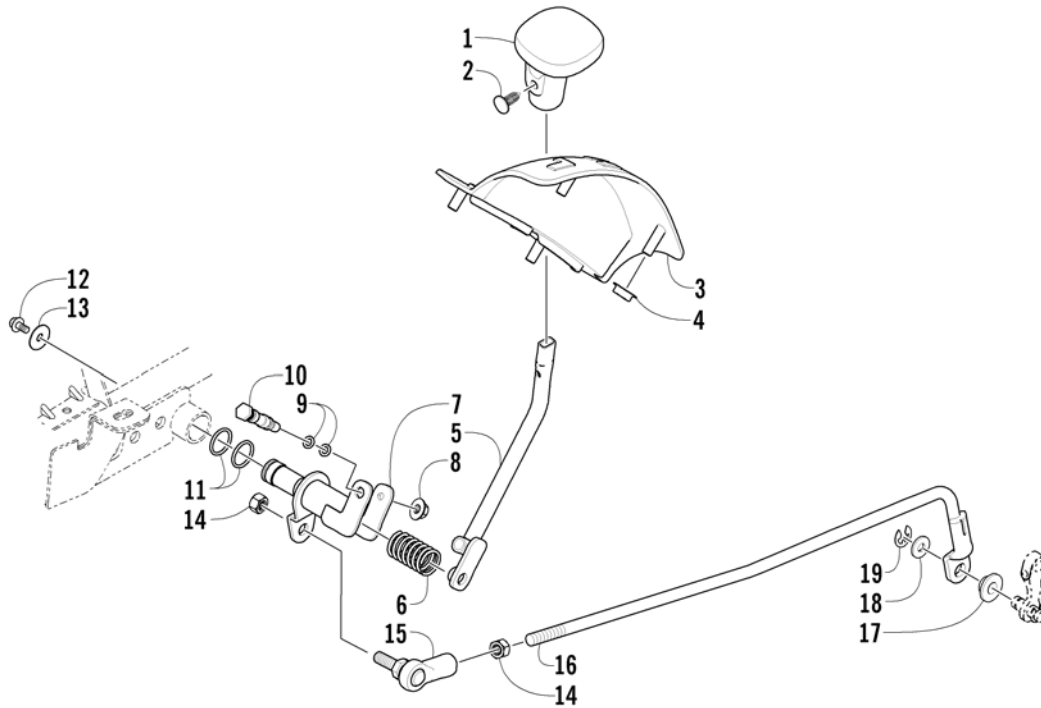




## GAS TANK ASSEMBLY

0740-936

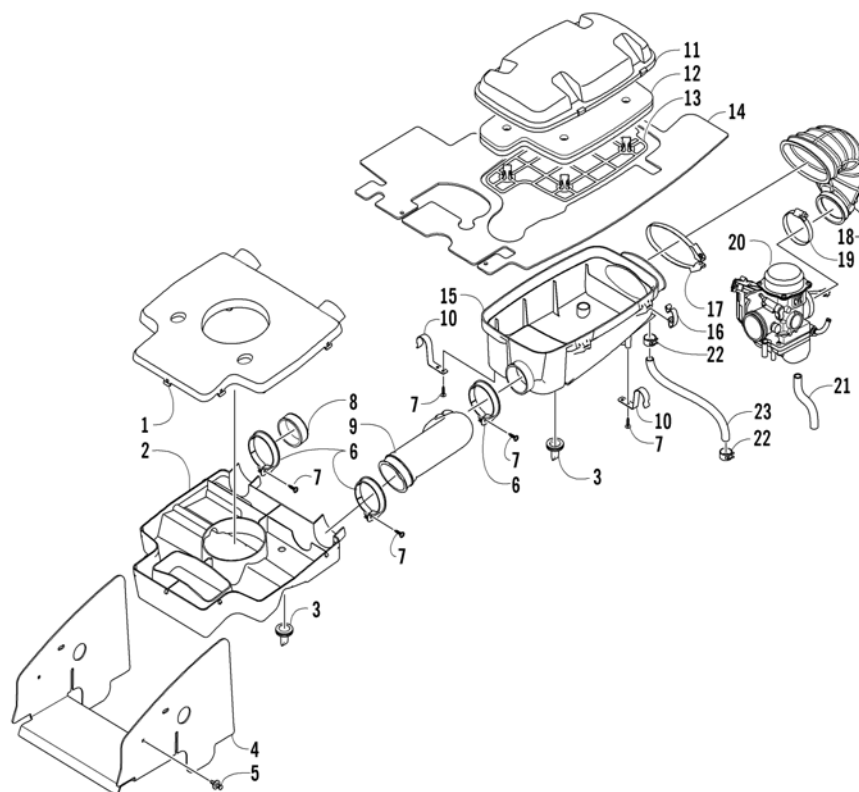
| Ref. | Part No.        | Qty. | Description                           | Ref. | Part No.        | Qty. | Description              |
|------|-----------------|------|---------------------------------------|------|-----------------|------|--------------------------|
| 1    | <u>0570-111</u> | 1    | Tank, Gas - Assembly (inc. 2-9)       | 14   | 0423-461        | 4    | Clamp, Hose              |
| 2    | 0470-438        | 1    | ø Cap, Gas Tank (inc. 3)              | 15   | 0410-070        | AR   | Hose, Gasline - 25 ft    |
| 3    | 0109-733        | 1    | ø ø Gasket, Gas Tank Cap              | 16   | 1623-233        | 6    | Clamp, Hose              |
| 4    | 0570-114        | 1    | ø Sensor, Fuel Level (inc. 5-7)       | 17   | 0470-527        | 1    | Fitting, Straight        |
| 5    | 0423-603        | 1    | ø ø Clamp, Hose                       | 18   | 0470-519        | 1    | Pump, Fuel               |
| 6    | 0470-475        | 1    | ø ø Filter, Fuel                      | 19   | 8476-620        | 2    | Screw, Machine           |
| 7    | 0470-521        | 1    | ø ø Seal, Fuel Level Sensor           | 20   | 0623-038        | 2    | Nut, Lock                |
| 8    | 1623-158        | 4    | ø Screw, Self-Tapping                 | 21   | 0470-479        | 1    | Shield, Heat             |
| 9    | <u>0470-567</u> | 1    | ø Plate, Mounting - Fuel Level Sensor | 22   | 0470-474        | 1    | Shield, Heat             |
| 10   | <u>0570-131</u> | 1    | Strap, Gas Tank Mounting              | 23   | 0623-791        | 5    | Screw, Self-Tapping      |
| 11   | 8476-650        | 2    | Screw, Machine                        | 24   | <u>0470-536</u> | 2    | Clip, Gas Tank Mounting  |
| 12   | 8427-602        | 2    | Nut                                   | 25   | 0423-609        | 2    | Screw, Gas Tank Mounting |
| 13   | <u>0570-132</u> | 1    | Strap, Gas Tank Mounting              |      |                 |      |                          |



## REVERSE SHIFT LEVER ASSEMBLY

0740-360

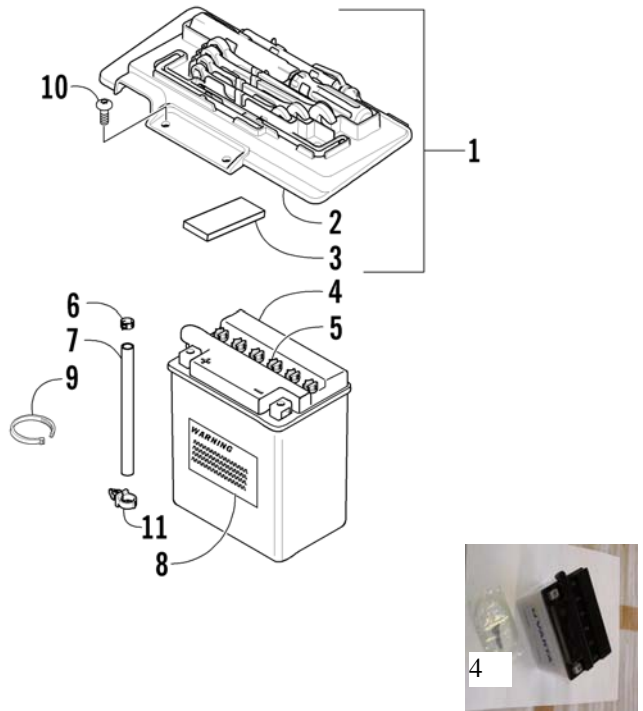
| Ref. | Part No. | Qty. | Description                 | Ref. | Part No. | Qty. | Description            |
|------|----------|------|-----------------------------|------|----------|------|------------------------|
| 1    | 0402-843 | 1    | Knob, Reverse Shift         | 11   | 0423-299 | 2    | O-Ring                 |
| 2    | 0423-345 | 1    | Clip, Push                  | 12   | 8408-812 | 1    | Screw, Cap             |
| 3    | 1402-110 | 1    | Plate, Shift                | 13   | 0423-087 | 1    | Washer                 |
| 4    | 0423-357 | 4    | Nut, Stamped                | 14   | 0623-294 | 2    | Nut                    |
| 5    | 0502-659 | 1    | Lever, Reverse Shift        | 15   | 1402-270 | 1    | End, Rod               |
| 6    | 0502-410 | 1    | Spring, Reverse Shift Lever | 16   | 0502-989 | 1    | Linkage, Shift         |
| 7    | 0502-742 | 1    | Axle, Reverse Shift Lever   | 17   | 0423-091 | 1    | Bushing, Shift Linkage |
| 8    | 8424-602 | 1    | Nut                         | 18   | 8050-242 | 1    | Washer                 |
| 9    | 0423-182 | 2    | O-Ring                      | 19   | 0423-169 | 1    | E-Ring                 |
| 10   | 0402-675 | 1    | Axle, Pivot                 |      |          |      |                        |



## AIR INTAKE ASSEMBLY

0740-746

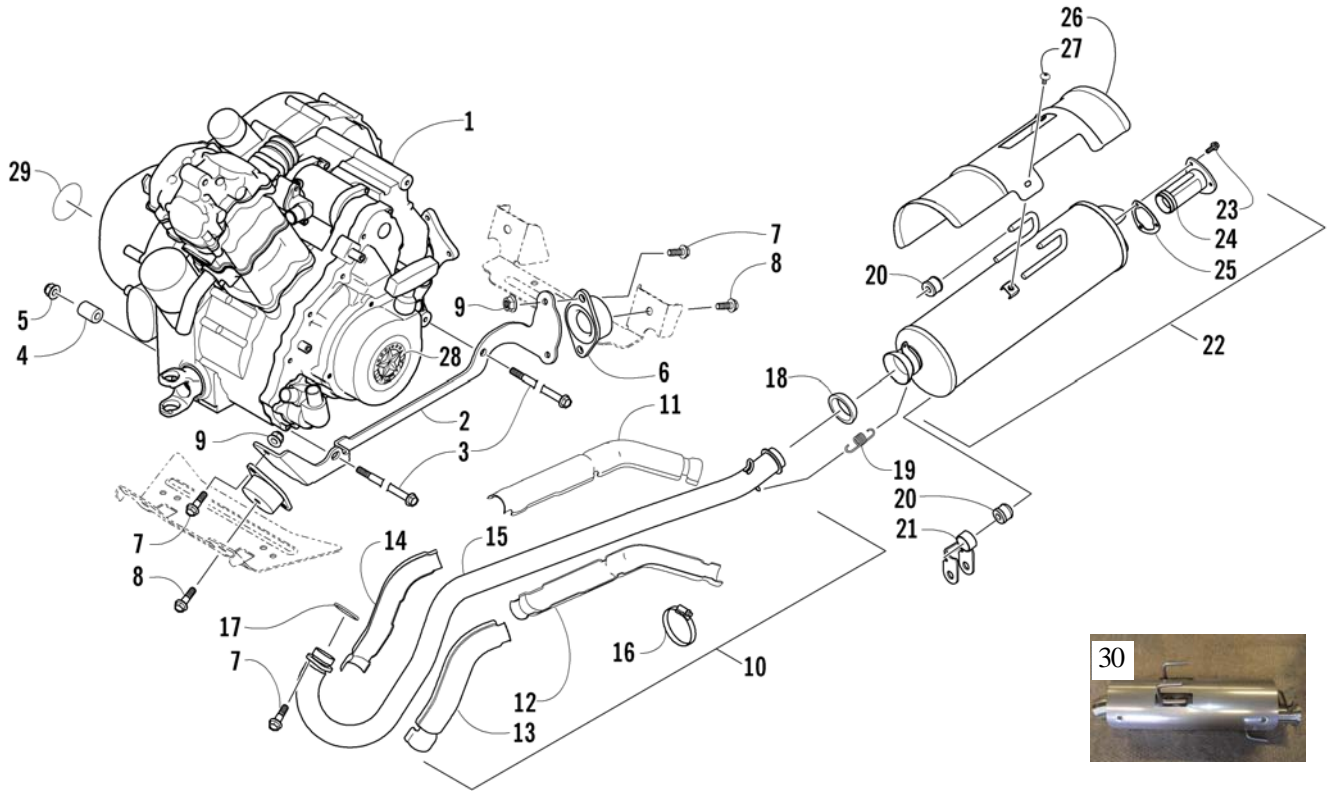
| Ref. | Part No. | Qty. | Description                 | Ref. | Part No. | Qty. | Description            |
|------|----------|------|-----------------------------|------|----------|------|------------------------|
| 1    | 0413-091 | 1    | Diverter, Air - Top         | 13   | 0470-516 | 1    | Screen, Air Filter     |
| 2    | 0413-093 | 1    | Diverter, Air - Bottom      | 14   | 2406-009 | 1    | Panel, Shield          |
| 3    | 0470-442 | 2    | Valve, Drain                | 15   | 0470-515 | 1    | Housing, Air Intake    |
| 4    | 1406-973 | 1    | Shroud, Splash              | 16   | 0423-455 | 4    | Clip, Spring           |
| 5    | 0623-362 | 2    | Rivet, Reinstallable        | 17   | 0423-554 | 1    | Clamp, Boot            |
| 6    | 0423-551 | 3    | Clamp                       | 18   | 0470-511 | 1    | Boot, Carburetor       |
| 7    | 0423-342 | 7    | Screw, Self-Tapping         | 19   | 0423-019 | 1    | Clamp, Boot            |
| 8    | 0413-096 | 1    | Cap, Air Intake - Diverter  | 20   | 0470-648 | 1    | Carburetor, CVK40-EC   |
| 9    | 0470-529 | 1    | Boot, Air Intake            | 21   | 0510-592 | 1    | Hose, Carburetor Drain |
| 10   | 0423-454 | 2    | Clip, Mounting - Air Intake | 22   | 0423-045 | 2    | Clamp, Hose            |
| 11   | 0470-554 | 1    | Cover, Air Intake           | 23   | 0410-079 | 1    | Hose, Vent - Crankcase |
| 12   | 0470-663 | 1    | Filter, Air                 |      |          |      |                        |



## BATTERY ASSEMBLY

0740-445 \*Not Illustrated

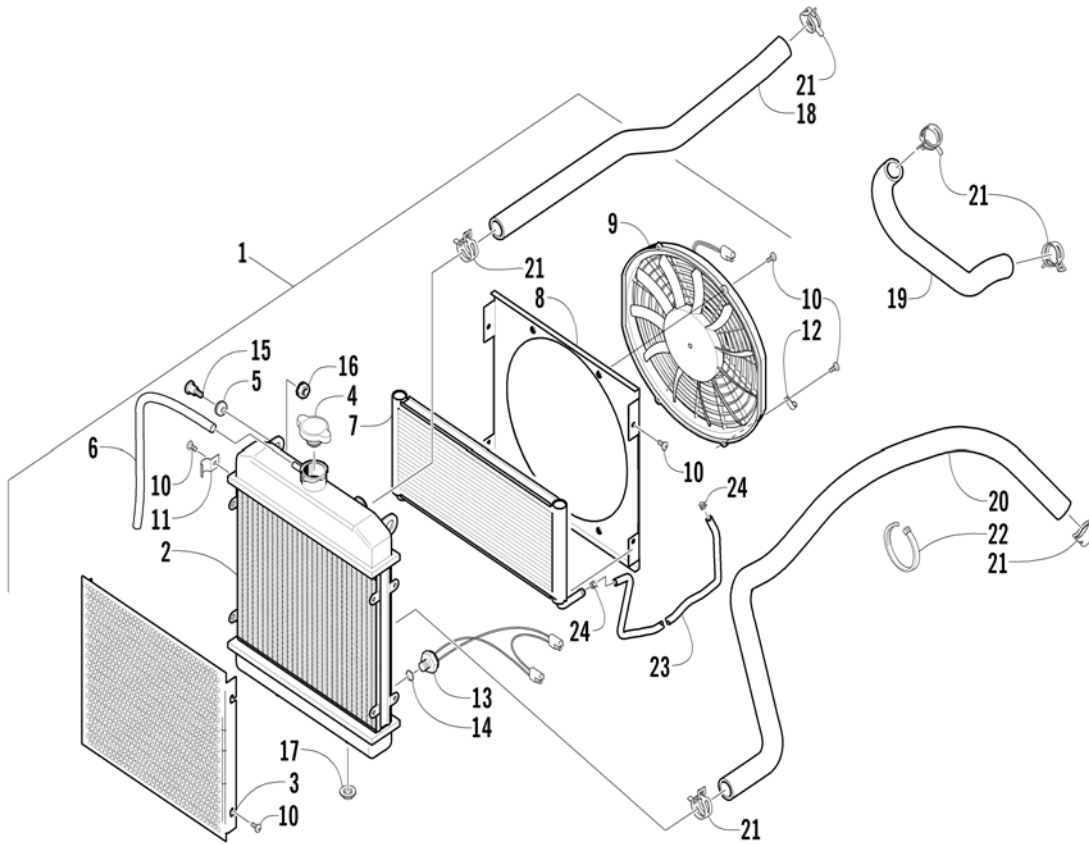
| Ref. | Part No.            | Qty. | Description                             | Ref. | Part No. | Qty. | Description                |
|------|---------------------|------|---|------|----------|------|----------------------------|
| 1    | 5990-839            | 1    | Battery Cover/Tool Tray Assy (inc. 2-3) | 6    | 0645-152 | 1    | ∅ Clamp, Hose              |
| 2    | 1406-507            | 1    | ∅ Cover, Battery                        | 7    | 0645-263 | 1    | ∅ Hose, Battery Vent       |
| 3    | 0406-288            | 2    | ∅ Pad, Battery                          | 8    | 0645-151 | 1    | ∅ Label, Warning - Battery |
| *    | 0444-122            | 1    | Kit, Tool                               | 9    | 0123-903 | 4    | Cable Tie - 11.5 in.       |
| 4    | <del>0745-045</del> | 4    | <del>Battery Assembly (inc. 5-8)</del>  | 10   | 8476-616 | 2    | Screw, Machine             |
|      | <b>AC003-005</b>    | 1    | <b>Battery</b>                          | 11   | 0623-101 | 1    | Routing Clip, Snap-In      |
| 5    | 0645-045            | 6    | ∅ Cap, Battery                          |      |          |      |                            |



## ENGINE AND EXHAUST

0741-108R

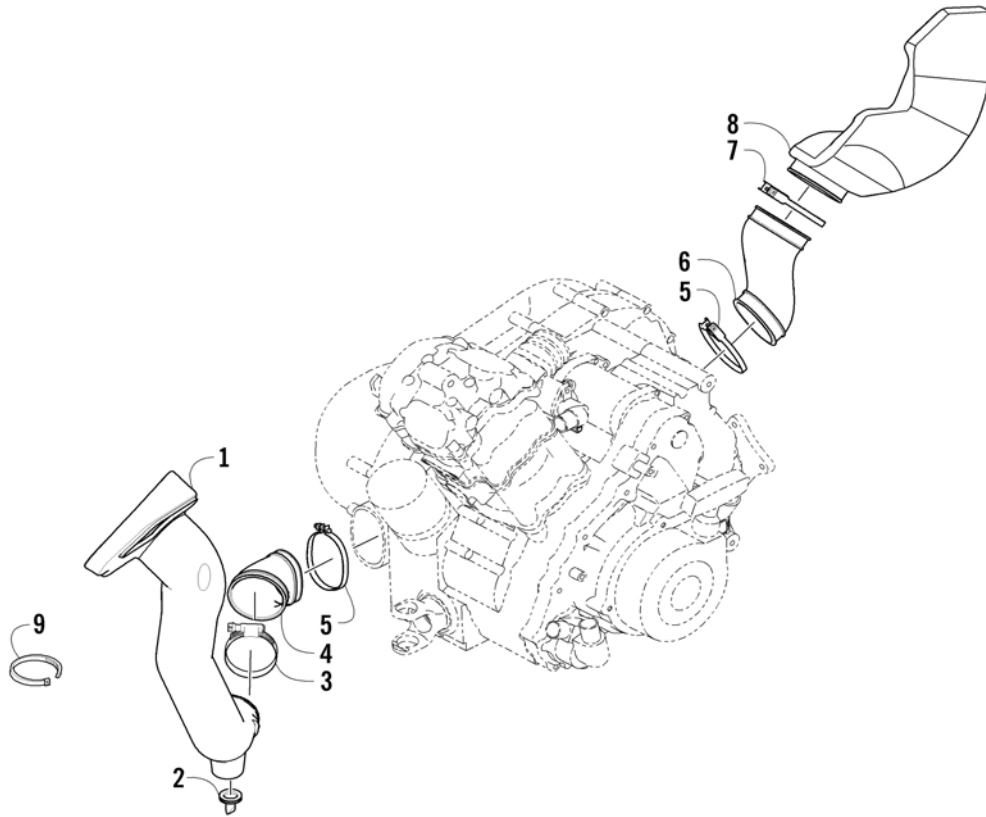
| Ref. | Part No.        | Qty. | Description                            | Ref. | Part No.            | Qty. | Description                              |
|------|-----------------|------|--|------|---------------------|------|--|
| 1    | 0800-016        | 1    | Engine                                 | 16   | 0423-317            | 3    | ∅ Hose Clamp                             |
| 2    | <u>1506-740</u> | 1    | Bracket, Engine - Right                | 17   | 0412-338            | 1    | Gasket, Exhaust Pipe                     |
| 3    | <u>1506-741</u> | 1    | Bracket, Engine - Left                 | 18   | 0412-256            | 1    | Seal, Exhaust                            |
| 4    | 0423-405        | 2    | Screw, Cap                             | 19   | 0612-668            | 2    | Spring, Extension                        |
| 5    | 0423-042        | 2    | Spacer, Engine                         | 20   | 0412-215            | 3    | Bushing, Exhaust Pipe                    |
| 6    | 8428-002        | 2    | Nut, Lock                              | 21   | <u>1506-732</u>     | 1    | Channel, Muffler Support                 |
| 7    | 2406-065        | 4    | Mount, Rubber - Engine                 | 22   | <del>0512-289</del> | 4    | <del>Muffler Assembly (inc. 23-25)</del> |
| 8    | 8408-820        | 10   | Screw, Cap                             | 23   | <del>8408-616</del> | 3    | <del>∅ Screw, Cap</del>                  |
| 9    | 8408-012        | 4    | Screw, Cap                             | 24   | <del>0512-249</del> | 4    | <del>∅ Arrestor, Spark Assembly</del>    |
| 10   | 8432-802        | 8    | Nut                                    | 25   | <del>0412-343</del> | 4    | <del>∅ Gasket, Spark Arrestor</del>      |
| 11   | <u>0512-362</u> | 1    | Pipe, Exhaust - Assembly (inc. 11-16)  | 26   | <del>0412-329</del> | 4    | <del>Cover, Muffler</del>                |
| 12   | 0412-355        | 1    | ∅ Shield, Exhaust Pipe - Outer - Rear  | 27   | 8477-610            | 4    | Screw, Machine                           |
| 13   | 0412-354        | 1    | ∅ Shield, Exhaust Pipe - Inner - Rear  | 28   | 1411-176            | 1    | Decal - "Duramatic"                      |
| 14   | 0412-349        | 1    | ∅ Shield, Exhaust Pipe - Inner - Front | 29   | 1411-177            | 1    | Decal - "USA"                            |
| 15   | 0412-348        | 1    | ∅ Shield, Exhaust Pipe - Outer - Front | 30   | <b>AC004-707</b>    | 1    | <b>Exhaust Model 2006</b>                |
| 16   | <u>0512-362</u> | 1    | ∅ Pipe, Exhaust                        |      |                     |      |  |



## COOLING ASSEMBLY

0740-369

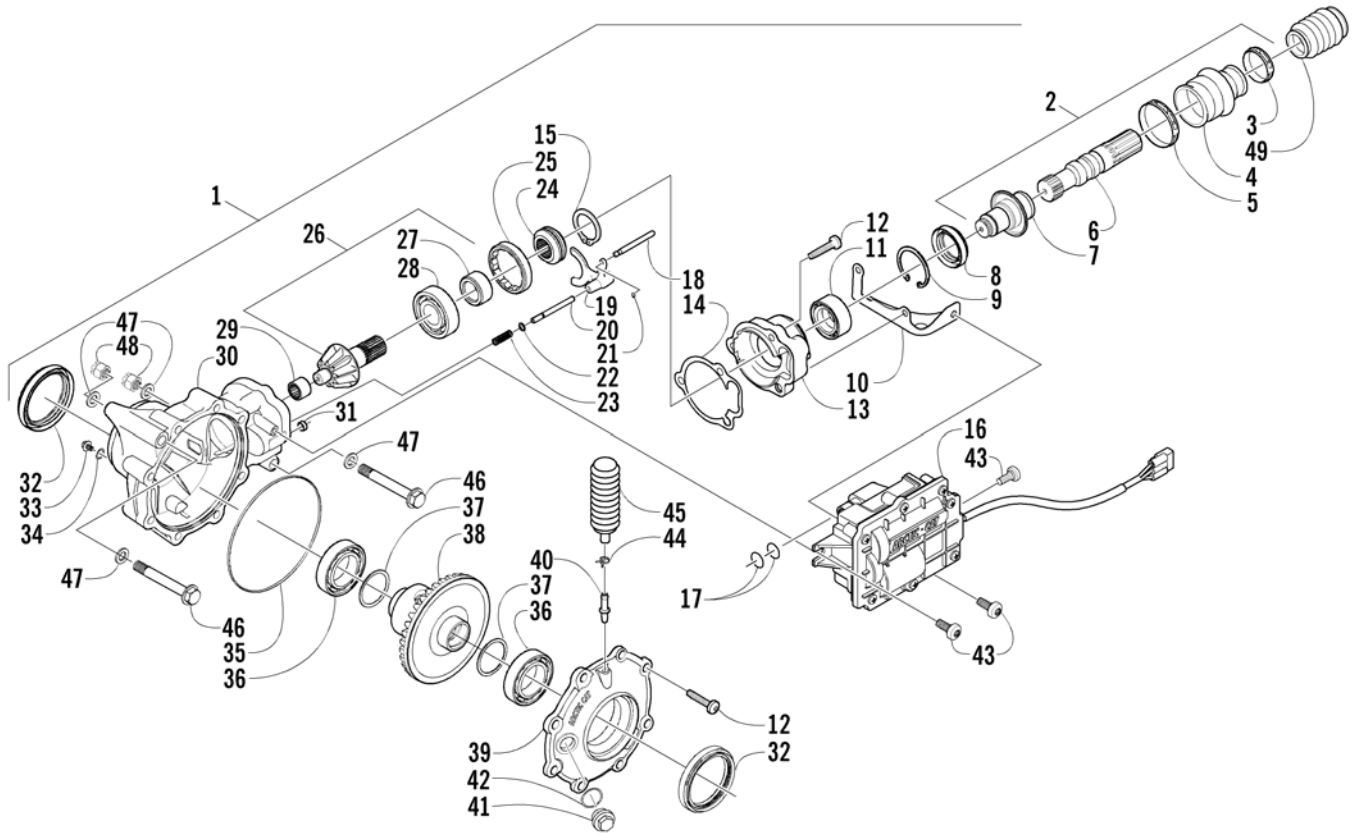
| Ref. | Part No. | Qty. | Description                   | Ref. | Part No. | Qty. | Description                     |
|------|----------|------|-------------------------------|------|----------|------|---------------------------------|
| 1    | 0413-116 | 1    | Radiator Assembly (inc. 2-14) | 13   | 0413-045 | 1    | ø Sender, Temperature - Coolant |
| 2    | 0413-043 | 1    | ø Radiator                    | 14   | 0423-390 | 1    | ø O-Ring                        |
| 3    | 0413-007 | 1    | ø Screen, Radiator            | 15   | 0423-484 | 2    | Screw, Shoulder                 |
| 4    | 0413-002 | 1    | ø Cap, Radiator               | 16   | 0623-038 | 2    | Nut w/Washer                    |
| 5    | 0423-030 | 2    | ø Grommet                     | 17   | 0423-028 | 2    | Bushing, Stem                   |
| 6    | 0610-016 | AR   | ø Hose - 25 ft                | 18   | 0410-002 | 1    | Hose, Coolant - Upper           |
| 7    | 0413-122 | 1    | ø Cooler, Oil                 | 19   | 0410-022 | 1    | Hose, Coolant - Crossover       |
| 8    | 0413-124 | 1    | ø Shroud, Fan                 | 20   | 0410-041 | 1    | Hose, Coolant - Lower           |
| 9    | 0413-123 | 1    | ø Fan, Cooling                | 21   | 0423-496 | 6    | Clamp, Hose                     |
| 10   | 8475-512 | 12   | ø Screw, Machine              | 22   | 0123-788 | 2    | Cable Tie                       |
| 11   | 0423-351 | 1    | ø Clamp, Wire                 | 23   | 0410-100 | 2    | Hose, Oil Cooler                |
| 12   | 0123-397 | 1    | ø Clamp, Cable                | 24   | 0423-632 | 4    | Clamp, Hose                     |



## CASE/BELT COOLING ASSEMBLY

0740-881

| Ref. | Part No. | Qty. | Description                | Ref. | Part No. | Qty. | Description               |
|------|----------|------|----------------------------|------|----------|------|---------------------------|
| 1    | 0413-115 | 1    | Duct, Belt Cooling - Front | 6    | 0413-097 | 1    | Boot, Duct - Rear         |
| 2    | 0470-442 | 1    | Valve, Drain               | 7    | 0423-554 | 1    | Clamp, Boot               |
| 3    | 0423-578 | 1    | Clamp, Boot                | 8    | 0413-119 | 1    | Duct, Belt Cooling - Rear |
| 4    | 0413-114 | 1    | Boot, Duct - Front         | 9    | 0123-903 | 1    | Cable Tie - 11.5 in.      |
| 5    | 0423-539 | 2    | Clamp, Boot                |      |          |      |                           |

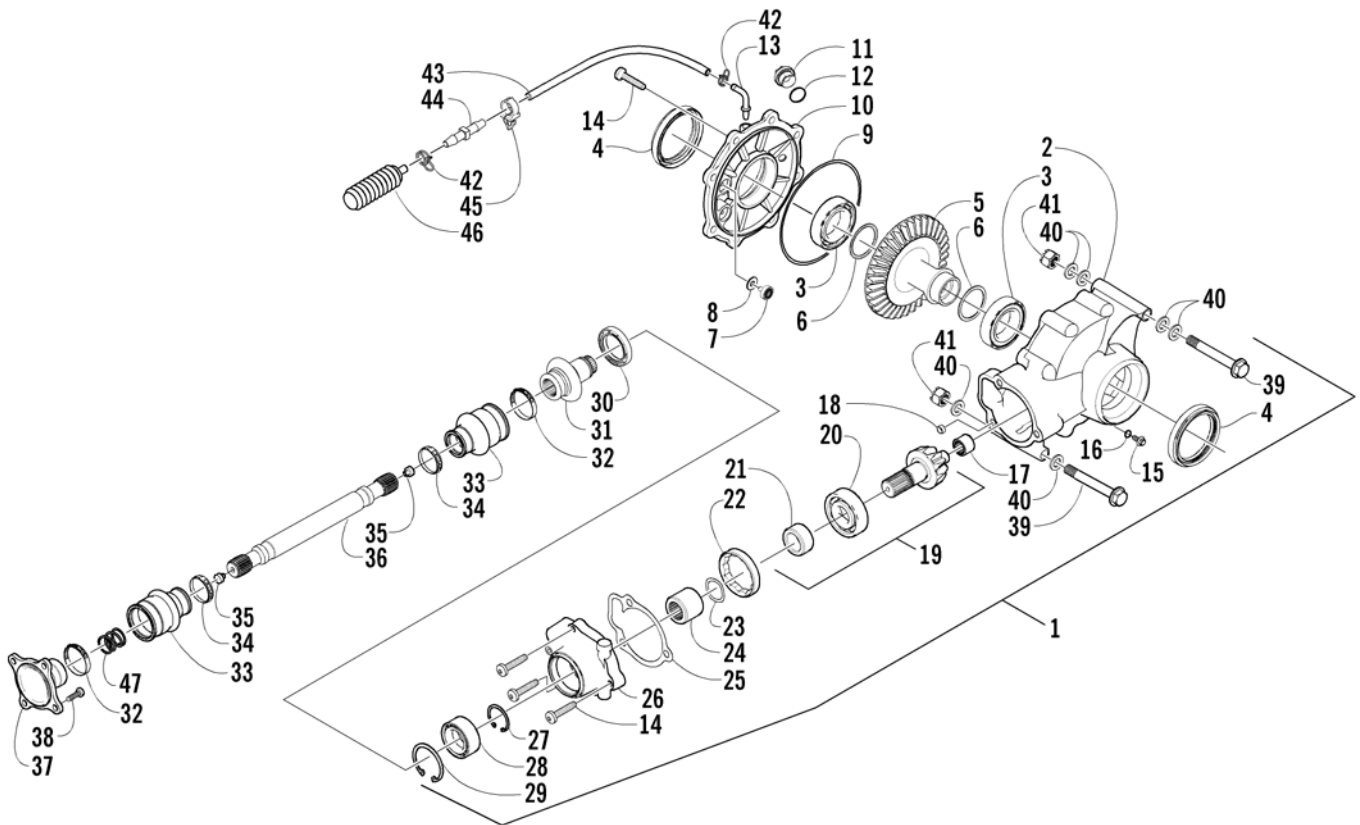


## FRONT DRIVE GEARCASE ASSEMBLY

0740-941

| Ref. | Part No. | Qty. | Description                                  | Ref. | Part No. | Qty. | Description                |
|------|----------|------|--|------|----------|------|----------------------------|
| 1    | 0502-816 | 1    | Gearcase, Front Drive - Assembly (inc. 2-43) | 27   | 0402-336 | 1    | ∅ ∅ Collar, Retaining      |
| 2    | 0502-385 | 1    | ∅ Shaft, Propeller - Assembly (inc. 3-7)     | 28   | 0402-327 | 1    | ∅ ∅ Bearing                |
| 3    | 0423-411 | 1    | ∅ ∅ Clamp, Boot                              | 29   | 0402-328 | 1    | ∅ Bearing                  |
| 4    | 0402-985 | 1    | ∅ ∅ Boot, Propeller Shaft                    | 30   | 0502-120 | 1    | ∅ Housing, Gearcase        |
| 5    | 0423-393 | 1    | ∅ ∅ Clamp, Boot                              | 31   | 0402-411 | 1    | ∅ Pin, Dowel               |
| 6    | 1402-045 | 1    | ∅ ∅ Shaft, Output                            | 32   | 0402-394 | 2    | ∅ Seal                     |
| 7    | 0502-407 | 1    | ∅ ∅ Shaft, Input                             | 33   | 0402-450 | 1    | ∅ Plug, Magnetic (inc. 34) |
| 8    | 1402-011 | 1    | ∅ Seal                                       | 34   | 0423-153 | 1    | ∅ ∅ O-Ring                 |
| 9    | 0423-423 | 1    | ∅ Ring, Retaining                            | 35   | 0423-149 | 1    | ∅ O-Ring                   |
| 10   | 0502-347 | 1    | ∅ Bracket, Actuator                          | 36   | 0402-393 | 2    | ∅ Bearing                  |
| 11   | 1402-043 | 1    | ∅ Bearing                                    | 37   | 0402-405 | AR   | ∅ Shim                     |
| 12   | 0423-118 | 11   | ∅ Screw, Self-Tapping                        |      | 0402-406 | AR   | ∅ Shim                     |
| 13   | 0502-528 | 1    | ∅ Housing, Pinion                            |      | 0402-407 | AR   | ∅ Shim                     |
| 14   | 0402-947 | 1    | ∅ Gasket, Flange                             |      | 0402-408 | AR   | ∅ Shim                     |
| 15   | 0423-417 | 1    | ∅ Ring, Retaining                            |      | 0402-409 | AR   | ∅ Shim                     |
| 16   | 0502-296 | 1    | ∅ Actuator (inc. one No. 17)                 | 38   | 0502-779 | 1    | ∅ Gear, Ring - 36T         |
| 17   | 0423-498 | 2    | ∅ ∅ O-Ring                                   | 39   | 0502-121 | 1    | ∅ Cover, Gearcase          |
| 18   | 0402-997 | 1    | ∅ Shaft, Selector                            | 40   | 1402-104 | 1    | ∅ Fitting                  |
| 19   | 0402-998 | 1    | ∅ Fork, Selector                             | 41   | 0402-333 | 1    | ∅ Plug, Fill (inc. 42)     |
| 20   | 0402-417 | 1    | ∅ Shaft, Shuttle                             | 42   | 0423-154 | 1    | ∅ ∅ O-Ring                 |
| 21   | 0423-402 | 1    | ∅ Ring, Retaining                            | 43   | 0423-396 | 3    | ∅ Screw, Self-Tapping      |
| 22   | 0423-147 | 1    | ∅ O-Ring                                     | 44   | 0423-315 | 1    | Clamp, Fitting             |
| 23   | 0402-999 | 1    | ∅ Spring, Return                             | 45   | 0402-147 | 1    | Bladder, Gearcase          |
| 24   | 0402-413 | 1    | ∅ Coupler, Drive                             | 46   | 0423-404 | 2    | Screw, Cap                 |
| 25   | 0402-357 | 1    | ∅ Collar, Lock                               | 47   | 0423-426 | 4    | Washer                     |
| 26   | 0502-783 | 1    | ∅ Gear, Pinion - Assembly - 10T (inc. 27-28) | 48   | 8428-002 | 2    | Nut, Lock                  |
|      |          |      |  | 49   | 0402-966 | 1    | Boot, Shaft                |

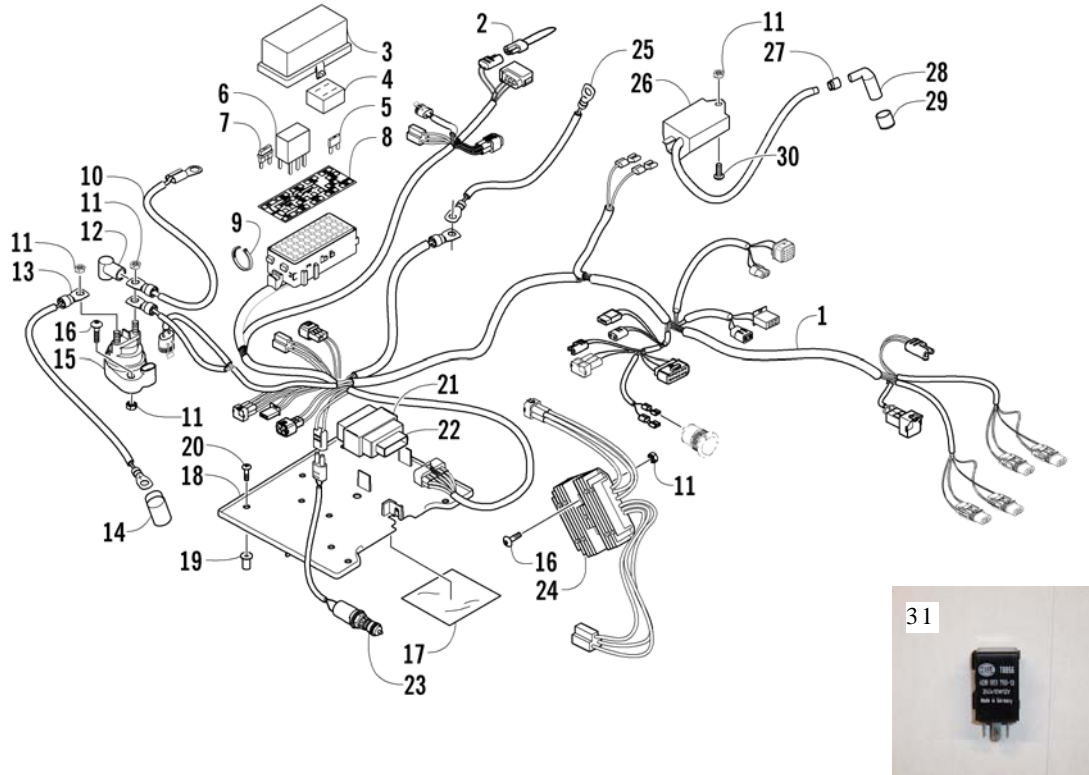




## REAR DRIVE GEARCASE ASSEMBLY

0740-972

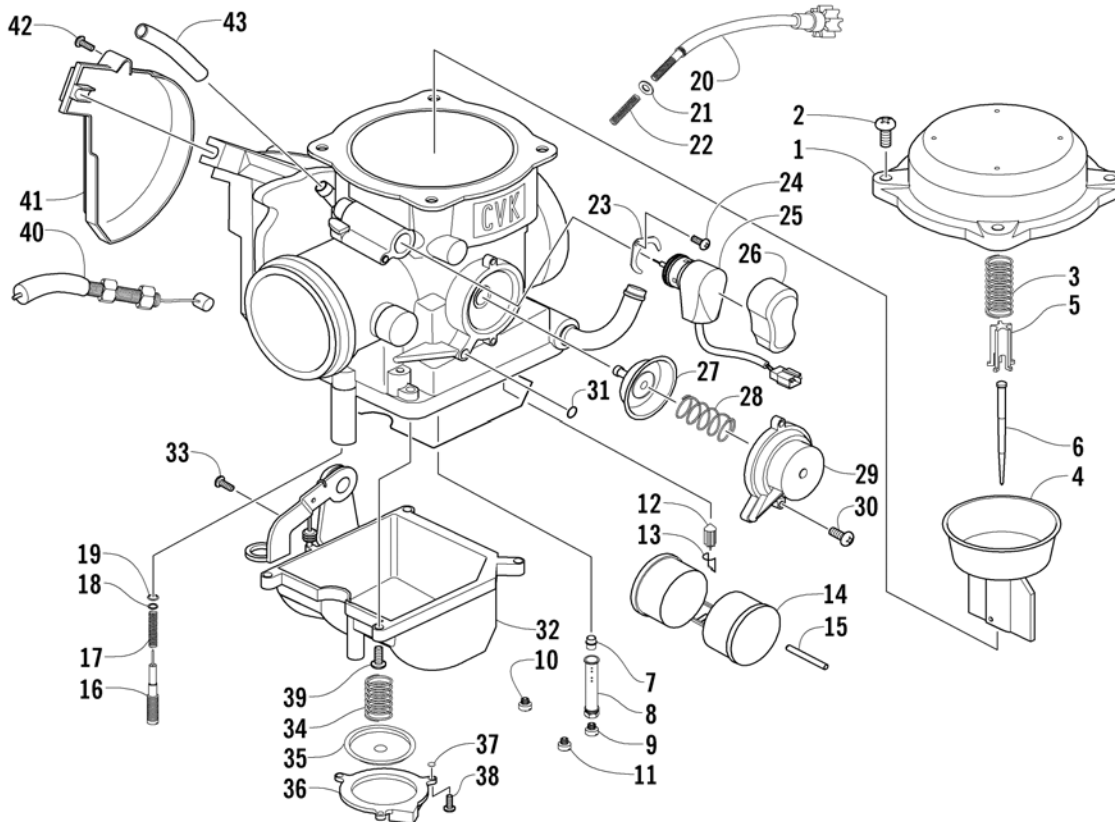
| Ref. | Part No. | Qty. | Description                                     | Ref. | Part No. | Qty. | Description             |
|------|----------|------|---|------|----------|------|-------------------------|
| 1    | 0502-820 | 1    | Gearcase, Rear Drive - Assembly<br>(inc. 2-31)  | 20   | 0402-327 | 1    | ø ø Bearing             |
| 2    | 0502-622 | 1    | ø Housing, Gearcase                             | 21   | 0402-336 | 1    | ø ø Collar, Retaining   |
| 3    | 0402-393 | 2    | ø Bearing                                       | 22   | 0402-331 | 1    | ø Collar, Lock          |
| 4    | 0402-394 | 2    | ø Seal  | 23   | 0402-982 | 1    | ø Washer, Wave          |
| 5    | 1402-032 | 1    | ø Gear, Ring - 36T                              | 24   | 0402-981 | 1    | ø Collar, Shaft         |
| 6    | 0402-405 | AR   | ø Shim  | 25   | 0402-947 | 1    | ø Gasket, Flange        |
|      | 0402-406 | AR   | ø Shim  | 26   | 0502-529 | 1    | ø Housing, Pinion       |
|      | 0402-407 | AR   | ø Shim  | 27   | 0423-417 | 1    | ø Ring, Retaining       |
|      | 0402-408 | AR   | ø Shim  | 28   | 1402-043 | 1    | ø Bearing               |
|      | 0402-409 | AR   | ø Shim  | 29   | 0423-423 | 1    | ø Ring, Retaining       |
| 7    | 0402-326 | 1    | ø Button, Thrust                                | 30   | 1402-011 | 1    | ø Seal                  |
| 8    | 0402-429 | AR   | ø Shim  | 31   | 0502-407 | 1    | ø Shaft, Input          |
|      | 0402-430 | AR   | ø Shim  | 32   | 0423-393 | 2    | Clamp, Boot             |
|      | 0402-431 | AR   | ø Shim  | 33   | 0402-985 | 2    | Boot                    |
|      | 0402-432 | AR   | ø Shim  | 34   | 0423-411 | 2    | Clamp, Boot             |
|      | 0402-433 | AR   | ø Shim  | 35   | 0673-618 | 2    | Bumper, Propeller Shaft |
| 9    | 0423-149 | 1    | ø O-Ring  | 36   | 1402-092 | 1    | Shaft, Propeller        |
| 10   | 0502-346 | 1    | ø Cover, Gearcase                               | 37   | 0402-950 | 1    | Flange, Output          |
| 11   | 0402-333 | 1    | ø Plug, Fill (inc. 12)                          | 38   | 8408-820 | 4    | Screw, Cap              |
| 12   | 0423-154 | 1    | ø ø O-Ring                                      | 39   | 0423-404 | 2    | Screw, Cap              |
| 13   | 1402-102 | 1    | ø Fitting                                       | 40   | 0423-426 | 6    | Washer                  |
| 14   | 0423-118 | 11   | ø Screw, Self-Tapping                           | 41   | 8428-002 | 2    | Nut, Lock               |
| 15   | 0402-450 | 1    | ø Plug, Magnetic (inc. 16)                      | 42   | 0423-315 | 3    | Clamp, Fitting          |
| 16   | 0423-153 | 1    | ø ø O-Ring                                      | 43   | 0410-049 | AR   | Hose, Vent              |
| 17   | 0402-328 | 1    | ø Bearing                                       | 44   | 0470-462 | 1    | Fitting, Vent           |
| 18   | 0402-411 | 1    | ø Pin, Dowel                                    | 45   | 0623-101 | 1    | Clip, Routing - Snap-In |
| 19   | 0502-783 | 1    | ø Gear, Pinion - Assembly - 10T<br>(inc. 20-21) | 46   | 0402-147 | 1    | Bladder, Gearcase       |
|      |          |      |   | 47   | 1402-026 | 1    | Spring                  |



## WIRING HARNESS ASSEMBLY

0741-110

| Ref. | Part No.                               | Qty.   | Description   | Ref. | Part No.            | Qty. | Description                         |
|------|--|--------|---|------|---------------------|------|-------------------------------------|
| 1    | <del>0486-193</del><br><b>0486-200</b> | 4<br>1 | Harness, Main (inc. 2-8 and two No. 9)<br><b>Harness, Main 06 Europe</b>    | 15   | 0445-036            | 1    | Solenoid                            |
| 2    | 0486-164                               | 1      | ø Tether, Accessory Connector   | 16   | 8476-625            | 4    | Screw, Machine                      |
| 3    | 0530-008                               | 1      | ø Cover, Fuse Block   | 17   | 0412-291            | 1    | Shield, Heat                        |
| 4    | 0430-037                               | 1      | ø Holder, Fuse  | 18   | 1406-787            | 1    | Tray, Electrical                    |
| 5    | 0430-034                               | 3      | ø Diode   | 19   | 0123-010            | 4    | Nut, Expansion                      |
| 6    | 0430-033                               | 3      | ø Relay   | 20   | 0623-121            | 4    | Screw, Machine                      |
| 7    | 0430-032                               | 4      | ø Fuse - 10 Amp   | 21   | 3402-684            | 1    | Cushion, CDI Unit                   |
|      | 0430-031                               | 3      | ø Fuse - 15 Amp   | 22   | 0824-034            | 1    | CDI Unit                            |
|      | 0430-030                               | 2      | ø Fuse - 30 Amp   | 23   | <del>0409-072</del> | 1    | Switch, Brake - Assembly            |
| 8    | 0411-828                               | 1      | ø Decal, Fuse Block   | 24   | 0824-037            | 1    | Regulator, Voltage                  |
| 9    | 0123-788                               | AR     | ø Cable Tie - 7.5 in.   | 25   | 0445-045            | 1    | Cable, Battery/Ground               |
| 10   | <del>0445-044</del><br><b>0445-053</b> | 4<br>1 | <del>Cable, Solenoid/Starter</del><br><b>Cable, Solenoid/Starter Europe</b> |      | <b>0445-054</b>     | 1    | <b>Cable, Battery/Ground Europe</b> |
| 11   | 0623-038                               | 7      | Nut w/Washer  | 26   | 0824-036            | 1    | Coil, Ignition - Assembly           |
| 12   | 0645-327                               | 1      | Boot, Terminal  | 27   | <del>3430-009</del> | 4    | <del>Seal, High Tension Wire</del>  |
| 13   | <del>0445-046</del><br><b>0445-055</b> | 4<br>1 | <del>Cable, Battery/Solenoid</del><br><b>Cable, Battery/Relay Europe</b>    | 28   | 0824-021            | 1    | Cap, Spark Plug                     |
| 14   | 0645-019                               | 1      | Boot, Terminal  | 29   | <del>3430-008</del> | 4    | <del>Seal, Spark Plug</del>         |
|      |  |        |   | 30   | 8476-620            | 1    | Screw, Machine                      |
|      |  |        |   | 31   | <b>AC003-149</b>    | 1    | <b>Relay, Indicator</b>             |

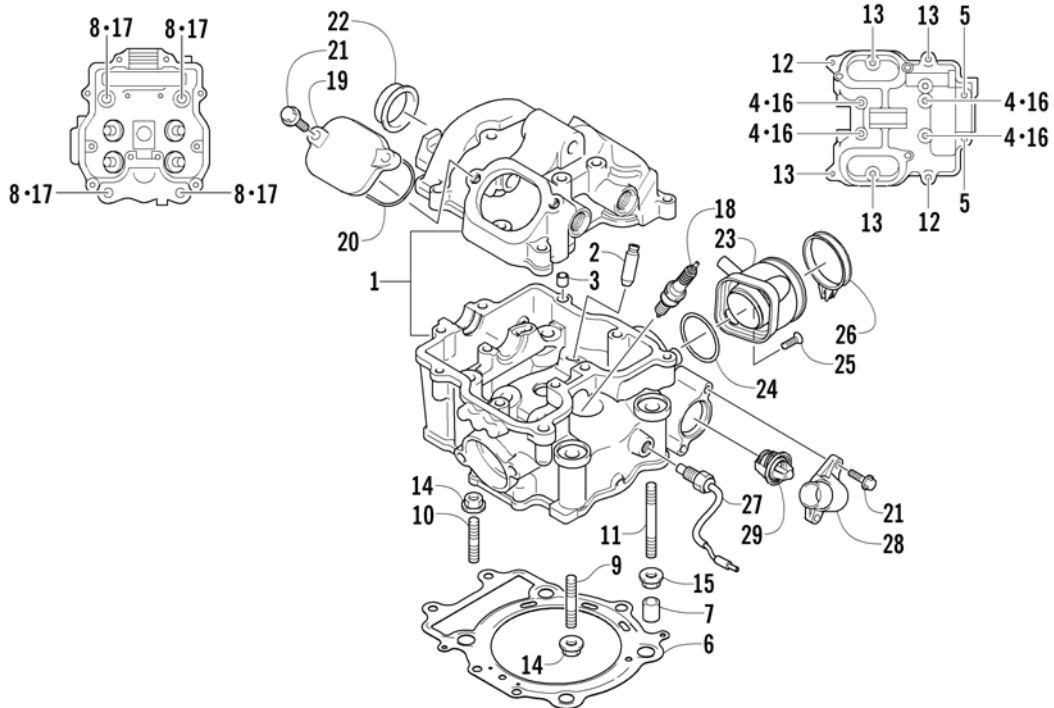


# CARBURETOR

CVK40-EC (Complete Assembly p/n 0470-648)

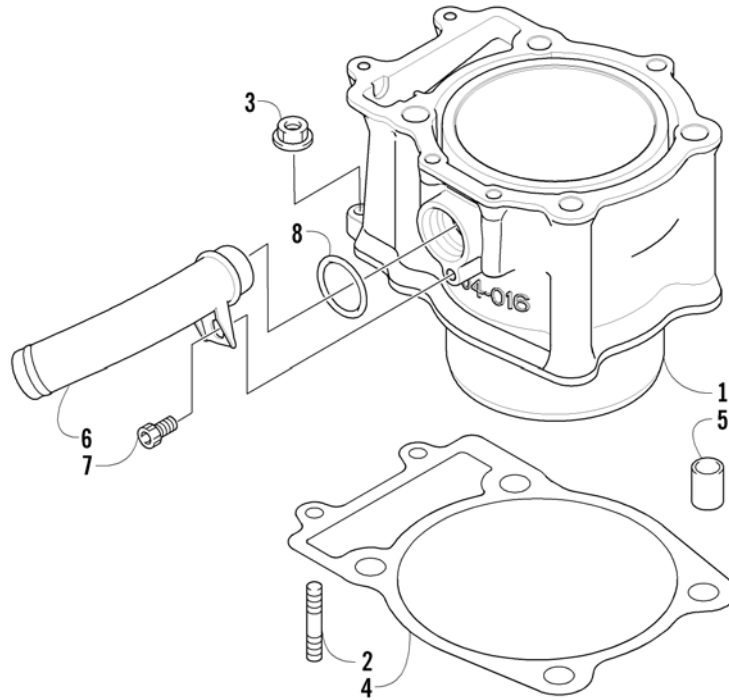
0740-600 \*Not a Service Part \*\*Optional

| Ref. | Part No. | Qty. | Description                         | Ref. | Part No. | Qty. | Description                            |
|------|----------|------|-------------------------------------|------|----------|------|--|
| 1    | 5507-186 | 1    | Cover, Top                          | 17   | *        | 1    | ∅ Spring                               |
| 2    | 5507-187 | 4    | Screw, Top Cover                    | 18   | *        | 1    | ∅ Washer                               |
| 3    | 5507-188 | 1    | Spring                              | 19   | *        | 1    | ∅ O-Ring                               |
| 4    | 5507-189 | 1    | Piston, Vacuum                      | 20   | 5507-027 | 1    | Screw, Idle Adjust                     |
| 5    | 5507-190 | 1    | Seat, Spring                        | 21   | 5507-028 | 1    | Washer                                 |
| 6    | 5507-191 | 1    | Jet Needle                          | 22   | 5507-029 | 1    | Spring                                 |
| 7    | 5507-192 | 1    | Needle Jet                          | 23   | 5507-115 | 1    | Plate                                  |
| 8    | 5507-193 | 1    | Holder, Needle Jet                  | 24   | 5507-117 | 1    | Screw                                  |
| 9    | 5507-076 | 1    | Main Jet - 138                      | 25   | 5507-196 | 1    | Choke, Electric                        |
|      | 5507-072 | 1    | Main Jet - 125**                    | 26   | 5507-114 | 1    | Cover, Electric Choke                  |
|      | 5507-073 | 1    | Main Jet - 128**                    | 27   | 5507-116 | 1    | Diaphragm Assembly                     |
|      | 5507-074 | 1    | Main Jet - 130**                    | 28   | 5507-104 | 1    | Spring                                 |
|      | 5507-075 | 1    | Main Jet - 132**                    | 29   | 5507-105 | 1    | Cover                                  |
|      | 5507-057 | 1    | Main Jet - 135**                    | 30   | 5507-106 | 2    | Screw                                  |
|      | 5507-043 | 1    | Main Jet - 142**                    | 31   | 5507-102 | 1    | U-Ring                                 |
|      | 5507-042 | 1    | Main Jet - 145**                    | 32   | *        | 1    | Chamber, Float - Assembly (inc. 33-39) |
|      | 5507-041 | 1    | Main Jet - 148**                    | 33   | 5507-195 | 1    | ∅ Screw, Drain                         |
|      | 5507-086 | 1    | Main Jet - 148**                    | 34   | 5507-032 | 1    | ∅ Spring                               |
|      | 5507-009 | 1    | Main Jet - 150**                    | 35   | 5507-197 | 1    | ∅ Diaphragm Assembly - Pump Housing    |
|      | 5507-077 | 1    | Main Jet - 152**                    | 36   | *        | 1    | ∅ Housing, Pump                        |
|      | 5507-078 | 1    | Main Jet - 155**                    | 37   | 5507-034 | 1    | ∅ U-Ring                               |
| 10   | 5507-194 | 1    | Slow Jet                            | 38   | 5507-035 | 3    | ∅ Screw                                |
| 11   | 5507-112 | 1    | Starter Jet - 85                    | 39   | 5507-067 | 1    | ∅ O-Ring, Float Chamber                |
| 12   | 5507-183 | 1    | Valve, Float - Set (inc. 13)        | 40   | 0487-021 | 1    | Cable, Throttle                        |
| 13   | *        | 1    | ∅ Clip                              | 41   | 5507-036 | 1    | Cover                                  |
| 14   | 5507-039 | 1    | Float Set (inc. 15)                 | 42   | 5507-037 | 1    | Screw                                  |
| 15   | *        | 1    | ∅ Pin, Float                        | 43   | 0410-056 | 1    | Hose, Vent                             |
| 16   | 5507-111 | 1    | Screw, Pilot Air - Set (inc. 17-19) | 44   | 5507-017 | 4    | Screw                                  |



## CYLINDER HEAD ASSEMBLY

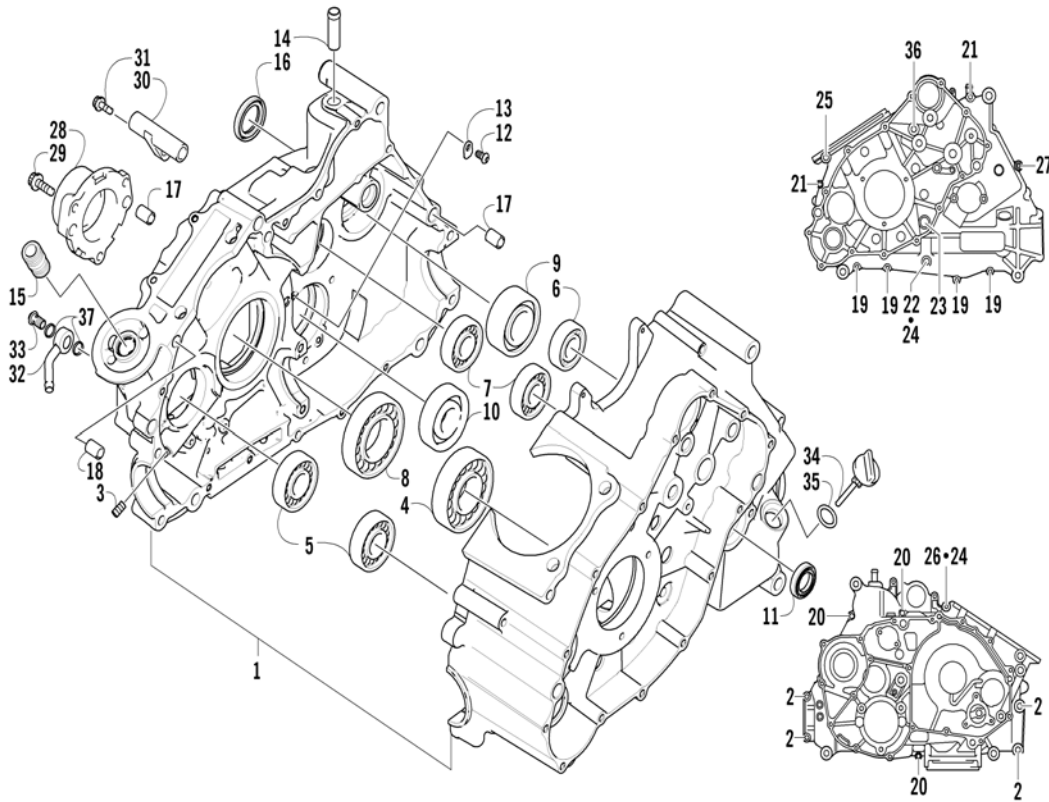
| Ref. | Part No. | Qty. | Description                          | Ref. | Part No. | Qty. | Description                          |
|------|----------|------|--------------------------------------|------|----------|------|--------------------------------------|
| 1    | 0808-047 | 1    | Head, Cylinder - Assembly (inc. 2-4) | 16   | 0830-107 | 4    | Gasket - Seal, Fastener              |
| 2    | 0808-002 | 4    | ø Guide, Valve                       | 17   | 0830-003 | 4    | Washer, Crush                        |
| 3    | 0829-001 | 2    | ø Dowel, Sleeve                      | 18   | 0217-727 | 1    | Spark Plug (RG6YC)                   |
| 4    | 0826-001 | 4    | ø Screw, Cap                         | 19   | 0808-003 | 2    | Cap, Inspection                      |
| 5    | 0826-002 | 2    | Screw, Cap                           | 20   | 0830-004 | 2    | O-Ring                               |
| 6    | 0830-124 | 1    | Gasket, Cylinder Head                | 21   | 0826-007 | 4    | Screw, Cap                           |
| 7    | 0829-002 | 2    | Pin, Dowel                           | 22   | 0808-077 | 1    | Plug, Cylinder Head                  |
| 8    | 0808-104 | 4    | Screw, Cap                           | 23   | 0570-101 | 1    | Pipe, Intake - Assembly              |
| 9    | 0827-030 | 2    | Bolt, Stud                           | 24   | 0830-090 | 1    | O-Ring                               |
| 10   | 0827-002 | 2    | Bolt, Stud                           | 25   | 0826-008 | 2    | Screw, Machine                       |
| 11   | 0827-031 | 1    | Bolt, Stud                           | 26   | 0423-066 | 1    | Clamp, Intercooler                   |
| 12   | 0826-005 | 2    | Screw, Cap                           | 27   | 0808-007 | 1    | Switch, Water Temperature - Assembly |
| 13   | 0826-006 | 4    | Screw, Cap                           | 28   | 0808-008 | 1    | Cover, Thermostat                    |
| 14   | 8424-604 | 4    | Nut                                  | 29   | 0808-078 | 1    | Thermostat                           |
| 15   | 8424-804 | 1    | Nut                                  |      |          |      |                                      |



## CYLINDER ASSEMBLY

0737-039

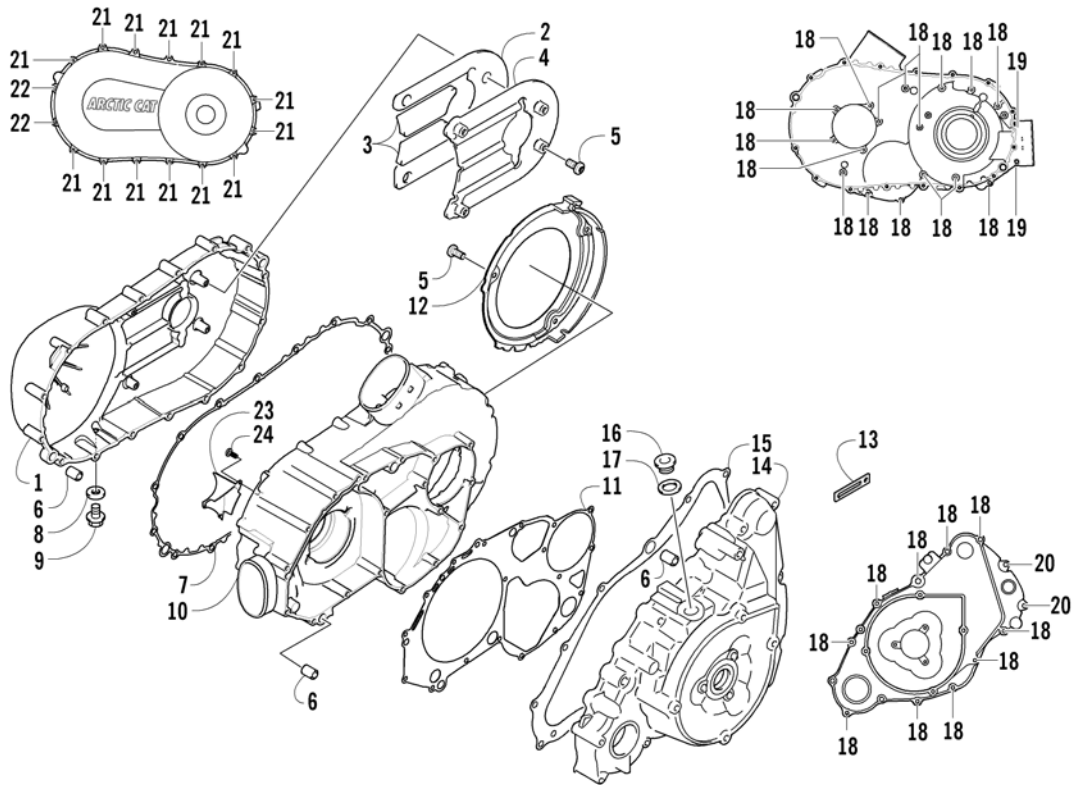
| Ref. | Part No. | Qty. | Description  | Ref. | Part No. | Qty. | Description       |
|------|----------|------|--------------|------|----------|------|-------------------|
| 1    | 0804-016 | 1    | Cylinder     | 5    | 0829-002 | 2    | Pin, Dowel        |
| 2    | 0827-002 | 2    | Bolt, Stud   | 6    | 0804-002 | 1    | Union, Water Hose |
| 3    | 8424-604 | 2    | Nut          | 7    | 8468-612 | 1    | Screw, Machine    |
| 4    | 0830-084 | 1    | Gasket, Base | 8    | 0830-007 | 1    | O-Ring            |



## CRANKCASE ASSEMBLY

0739-843

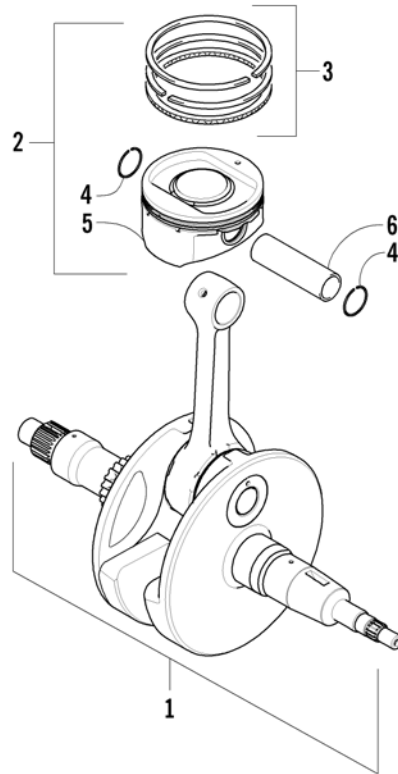
| Ref. | Part No. | Qty. | Description                    | Ref. | Part No. | Qty. | Description                      |
|------|----------|------|--------------------------------|------|----------|------|----------------------------------|
| 1    | 0801-056 | 1    | Crankcase Assembly (inc. 2-16) | 20   | 8468-655 | 3    | Screw, Machine                   |
| 2    | 8412-850 | 4    | ∅ Screw, Cap                   | 21   | 8468-675 | 2    | Screw, Machine                   |
| 3    | 0801-002 | 2    | ∅ Plug                         | 22   | 8412-860 | 1    | Screw, Cap                       |
| 4    | 0832-003 | 1    | ∅ Bearing                      | 23   | 0826-017 | 1    | Screw, Cap                       |
| 5    | 0832-005 | 2    | ∅ Bearing                      | 24   | 0830-008 | 2    | Gasket                           |
| 6    | 0832-013 | 1    | ∅ Bearing                      | 25   | 0826-019 | 1    | Screw, Cap                       |
| 7    | 0832-014 | 2    | ∅ Bearing                      | 26   | 0826-018 | 1    | Screw, Cap                       |
| 8    | 0832-002 | 1    | ∅ Bearing                      | 27   | 8468-695 | 1    | Screw, Machine                   |
| 9    | 0832-012 | 1    | ∅ Bearing                      | 28   | 0801-006 | 1    | Housing, Secondary Shaft Bearing |
| 10   | 0832-015 | 1    | ∅ Bearing                      | 29   | 0826-105 | 3    | Bolt                             |
| 11   | 0822-052 | 1    | ∅ Seal, Countershaft           | 30   | 0801-069 | 1    | Pipe, Breather                   |
| 12   | 0826-100 | 2    | ∅ Screw, Cap                   | 31   | 0826-038 | 1    | Bolt, Breather Pipe              |
| 13   | 0822-010 | 2    | ∅ Retainer, Bearing            | 32   | 0812-028 | 2    | Fitting, Oil Cooler              |
| 14   | 0801-028 | 1    | ∅ Pipe, Breather               | 33   | 0812-025 | 2    | Bolt, Oil Cooler Fitting         |
| 15   | 0812-008 | 1    | ∅ Union, Oil Filter            | 34   | 0801-005 | 1    | Stick, Oil Level                 |
| 16   | 0830-035 | 1    | ∅ Seal, Driveshaft             | 35   | 0830-010 | 1    | O-Ring, Oil Level Stick          |
| 17   | 0829-002 | 5    | Pin, Dowel                     | 36   | 8468-680 | 1    | Screw, Machine                   |
| 18   | 0829-003 | 1    | Pin, Dowel                     | 37   | 0812-026 | 4    | Gasket                           |
| 19   | 8468-645 | 4    | Screw, Machine                 |      |          |      |                                  |



## CLUTCH/V-BELT/MAGNETO COVER ASSEMBLY

0740-246

| Ref. | Part No. | Qty. | Description          | Ref. | Part No.        | Qty. | Description           |
|------|----------|------|----------------------|------|-----------------|------|-----------------------|
| 1    | 0806-014 | 1    | Cover, V-Belt        | 13   | 3002-964        | 1    | Clamp, Wire           |
| 2    | 0806-015 | 1    | Damper, V-Belt Cover | 14   | 0806-021        | 1    | Cover, Magneto        |
| 3    | 0806-016 | 2    | Damper, V-Belt Cover | 15   | <u>0830-128</u> | 1    | Gasket, Magneto Cover |
| 4    | 0806-017 | 1    | Plate, V-Belt Cover  | 16   | 0806-022        | 1    | Plug                  |
| 5    | 0826-029 | 7    | Screw                | 17   | 0830-015        | 1    | Gasket, Plug          |
| 6    | 0829-002 | 4    | Pin, Dowel           | 18   | 8468-640        | 26   | Screw, Machine        |
| 7    | 0830-012 | 1    | Gasket, V-Belt Cover | 19   | 8468-675        | 2    | Screw, Machine        |
| 8    | 0830-013 | 1    | Gasket               | 20   | 8468-625        | 2    | Screw, Machine        |
| 9    | 8408-812 | 1    | Screw, Cap           | 21   | 8468-645        | 13   | Screw, Machine        |
| 10   | 0806-013 | 1    | Cover, Clutch        | 22   | 8468-655        | 2    | Screw, Machine        |
| 11   | 0830-116 | 1    | Gasket, Clutch Cover | 23   | <u>8470-645</u> | 1    | Screw, Machine        |
| 12   | 0806-048 | 1    | Plate, Air Intake    |      |                 |      |                       |

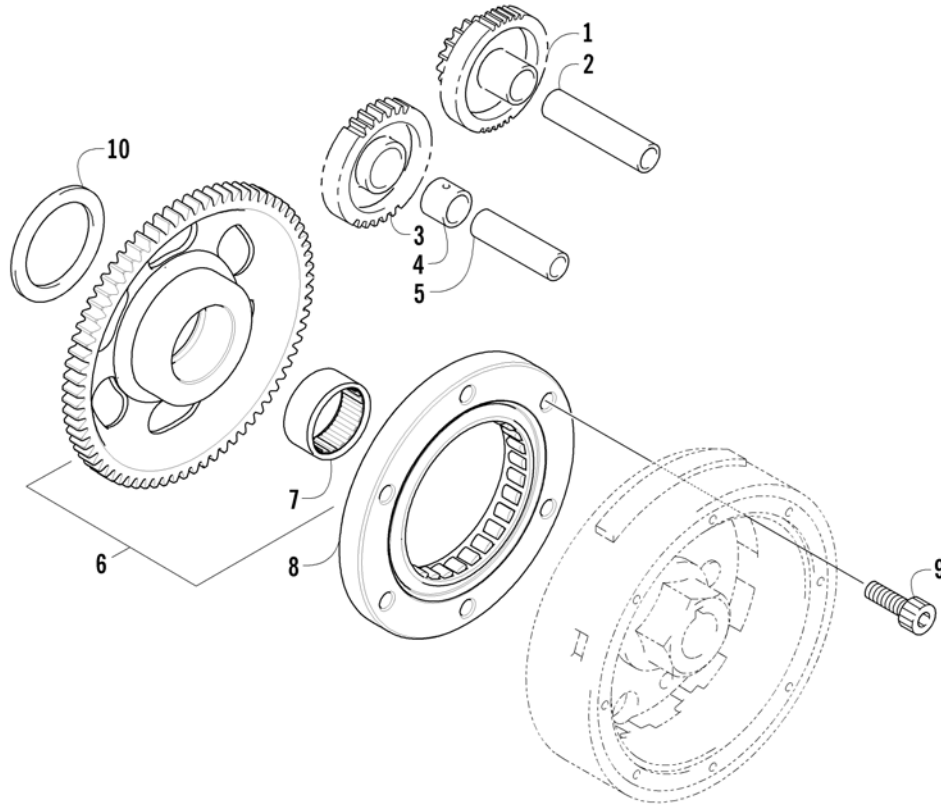


## CRANKSHAFT ASSEMBLY

0740-242 \*Optional

| Ref. | Part No. | Qty. | Description           | Ref. | Part No. | Qty. | Description           |
|------|----------|------|-----------------------|------|----------|------|-----------------------|
| 1    | 0805-032 | 1    | Crankshaft Assembly   | 4    | 0831-001 | 2    | ø Circlip, Piston Pin |
| 2    | 0805-035 | 1    | Piston Set (inc. 3-6) | 5    | 0805-010 | 1    | ø Piston              |
| 3    | 0805-011 | 1    | ø Ring, Piston - Set  | 6    | 0805-012 | 1    | ø Pin, Piston         |

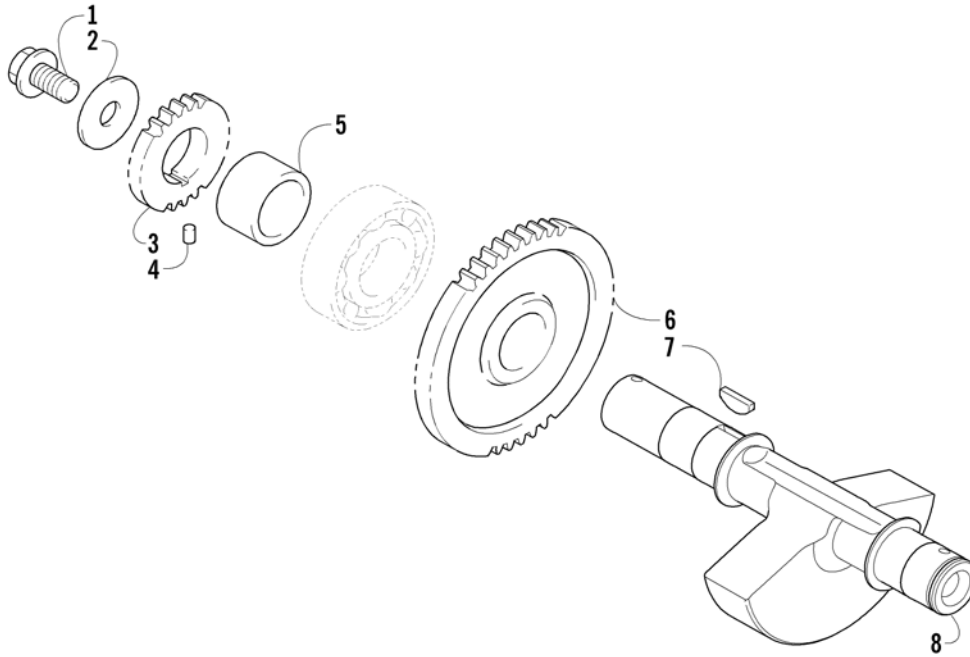




## STARTER CLUTCH ASSEMBLY

0737-043

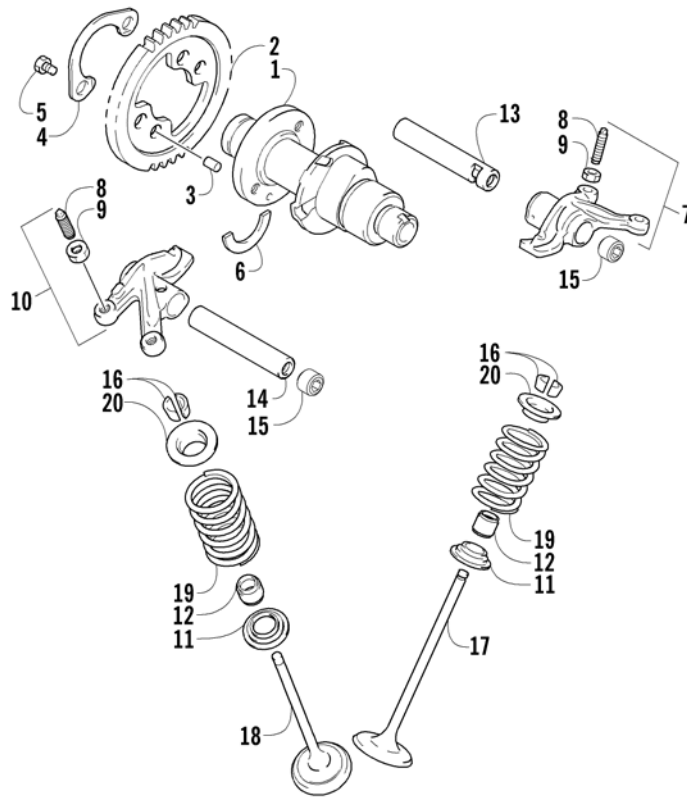
| Ref. | Part No. | Qty. | Description                      | Ref. | Part No. | Qty. | Description                   |
|------|----------|------|----------------------------------|------|----------|------|-------------------------------|
| 1    | 0815-001 | 1    | Gear, Starter Idler - No. 1      | 6    | 0815-004 | 1    | Gear, Starter Clutch (inc. 7) |
| 2    | 0829-031 | 1    | Shaft, Starter Gear              | 7    | 0832-004 | 1    | ø Bearing                     |
| 3    | 0815-002 | 1    | Gear, Starter Idler - No. 2      | 8    | 0802-035 | 1    | Clutch, Starter               |
| 4    | 0815-003 | 1    | Spacer, Starter Idler Gear No. 2 | 9    | 0826-069 | 6    | Screw, Machine                |
| 5    | 0829-032 | 1    | Shaft, Starter Gear              | 10   | 0828-002 | 1    | Washer                        |



## CRANK BALANCER ASSEMBLY

0737-050

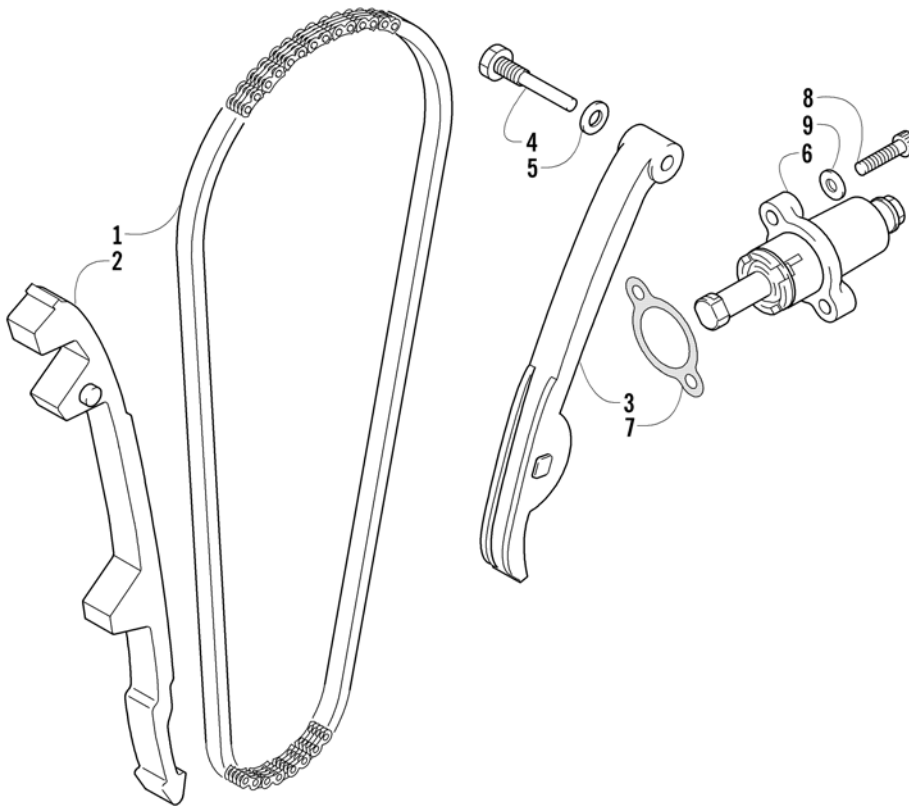
| Ref. | Part No. | Qty. | Description          | Ref. | Part No. | Qty. | Description     |
|------|----------|------|----------------------|------|----------|------|-----------------|
| 1    | 0826-033 | 1    | Screw, Cap           | 5    | 0811-004 | 1    | Spacer          |
| 2    | 0828-003 | 1    | Washer               | 6    | 0811-002 | 1    | Gear, Driven    |
| 3    | 0811-003 | 1    | Gear, Oil Pump Drive | 7    | 0829-006 | 1    | Key             |
| 4    | 0829-007 | 1    | Pin, Dowel - Solid   | 8    | 0811-017 | 1    | Balancer, Crank |



## CAMSHAFT/VALVE ASSEMBLY

0739-847

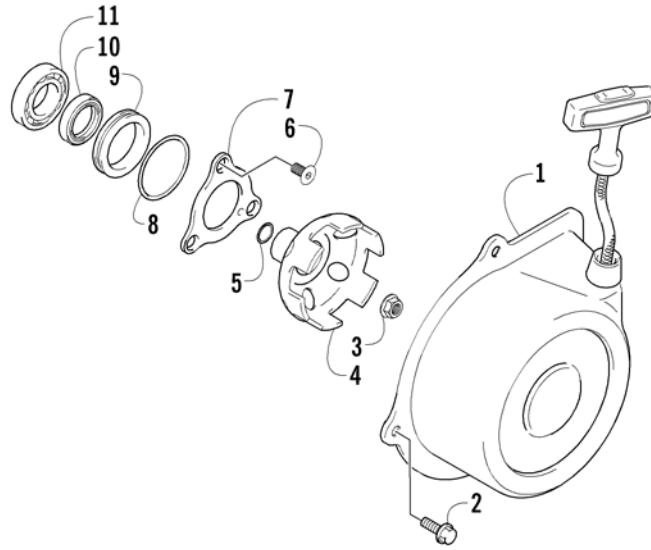
| Ref. | Part No.        | Qty. | Description                                       | Ref. | Part No.        | Qty. | Description       |
|------|-----------------|------|---|------|-----------------|------|-------------------|
| 1    | <u>0809-128</u> | 1    | Camshaft  | 11   | 0809-006        | 4    | Seat, Spring      |
| 2    | 0809-002        | 1    | Sprocket  | 12   | 0830-016        | 4    | Seal, Oil         |
| 3    | 0829-008        | 1    | Pin   | 13   | 0809-007        | 1    | Shaft, Rocker Arm |
| 4    | 0828-004        | 1    | Washer  | 14   | 0809-008        | 1    | Shaft, Rocker Arm |
| 5    | 0826-034        | 2    | Bolt  | 15   | 0831-041        | 2    | Plug, Shaft       |
| 6    | 0809-003        | 1    | C-Ring  | 16   | 0809-014        | 8    | Cotter, Valve     |
| 7    | <u>0809-134</u> | 1    | Arm, Valve Rocker - Intake<br>(inc. two No. 8-9)  | 17   | 0809-039        | 2    | Valve, Intake     |
| 8    | 0809-033        | 4    | ø Screw   | 18   | 0809-040        | 2    | Valve, Exhaust    |
| 9    | 0827-007        | 4    | ø Nut   | 19   | <u>0809-138</u> | 4    | Spring, Valve     |
| 10   | <u>0809-136</u> | 1    | Arm, Valve Rocker - Exhaust<br>(inc. two No. 8-9) | 20   | 0809-013        | 4    | Retainer, Spring  |



## CAM CHAIN ASSEMBLY

0737-051

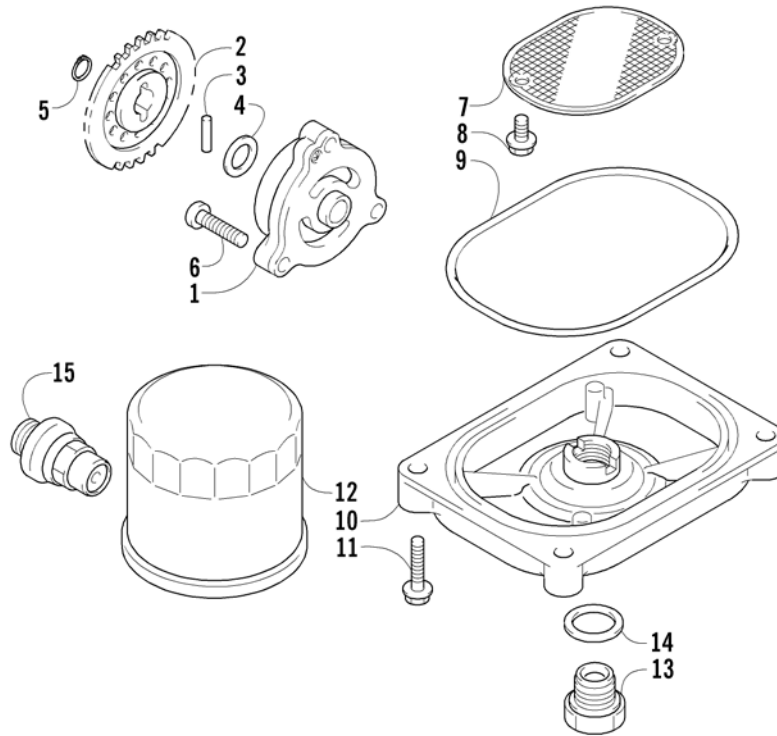
| Ref. | Part No. | Qty. | Description      | Ref. | Part No. | Qty. | Description                    |
|------|----------|------|------------------|------|----------|------|--------------------------------|
| 1    | 0810-001 | 1    | Chain, Cam       | 6    | 0810-004 | 1    | Adjuster, Tensioner - Assembly |
| 2    | 0810-002 | 1    | Guide, Chain     | 7    | 0830-018 | 1    | Gasket                         |
| 3    | 0810-003 | 1    | Tensioner, Chain | 8    | 8468-625 | 2    | Screw, Machine                 |
| 4    | 0826-036 | 1    | Bolt             | 9    | 0830-107 | 2    | Gasket                         |
| 5    | 0830-025 | 1    | Washer           |      |          |      |                                |



## RECOIL STARTER ASSEMBLY

0737-034

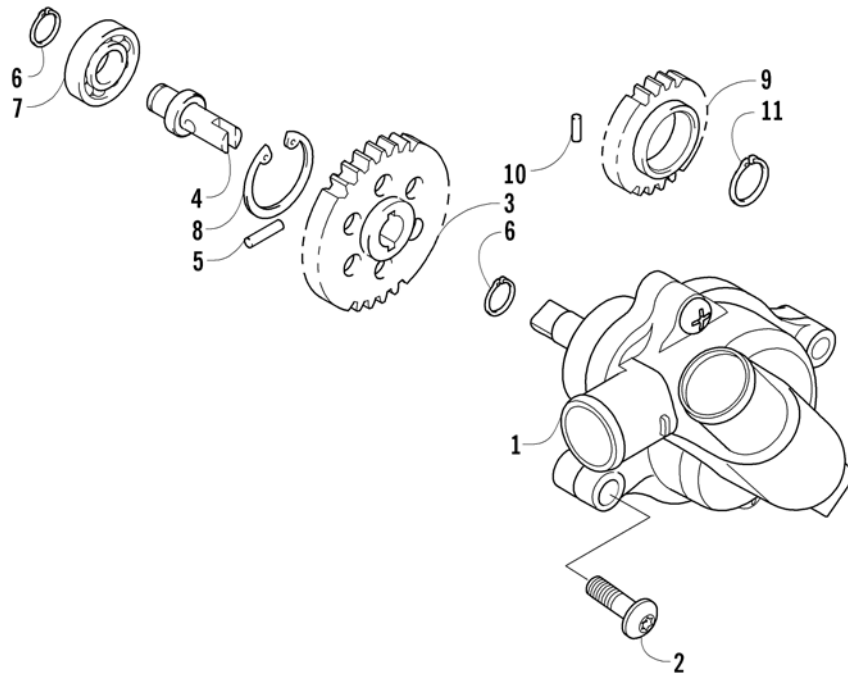
| Ref. | Part No. | Qty. | Description                | Ref. | Part No. | Qty. | Description        |
|------|----------|------|----------------------------|------|----------|------|--------------------|
| 1    | 0820-001 | 1    | Starter, Recoil - Assembly | 7    | 0805-008 | 1    | Retainer, Oil Seal |
| 2    | 0826-038 | 4    | Screw, Machine             | 8    | 0830-021 | 1    | O-Ring             |
| 3    | 0827-008 | 1    | Nut                        | 9    | 0820-007 | 1    | Spacer             |
| 4    | 0820-036 | 1    | Cup, Starter               | 10   | 0830-022 | 1    | Seal, Oil          |
| 5    | 0830-108 | 1    | O-Ring                     | 11   | 0832-006 | 1    | Bearing            |
| 6    | 0826-031 | 3    | Screw                      |      |          |      |                    |



## OIL FILTER/PUMP ASSEMBLY

0737-035

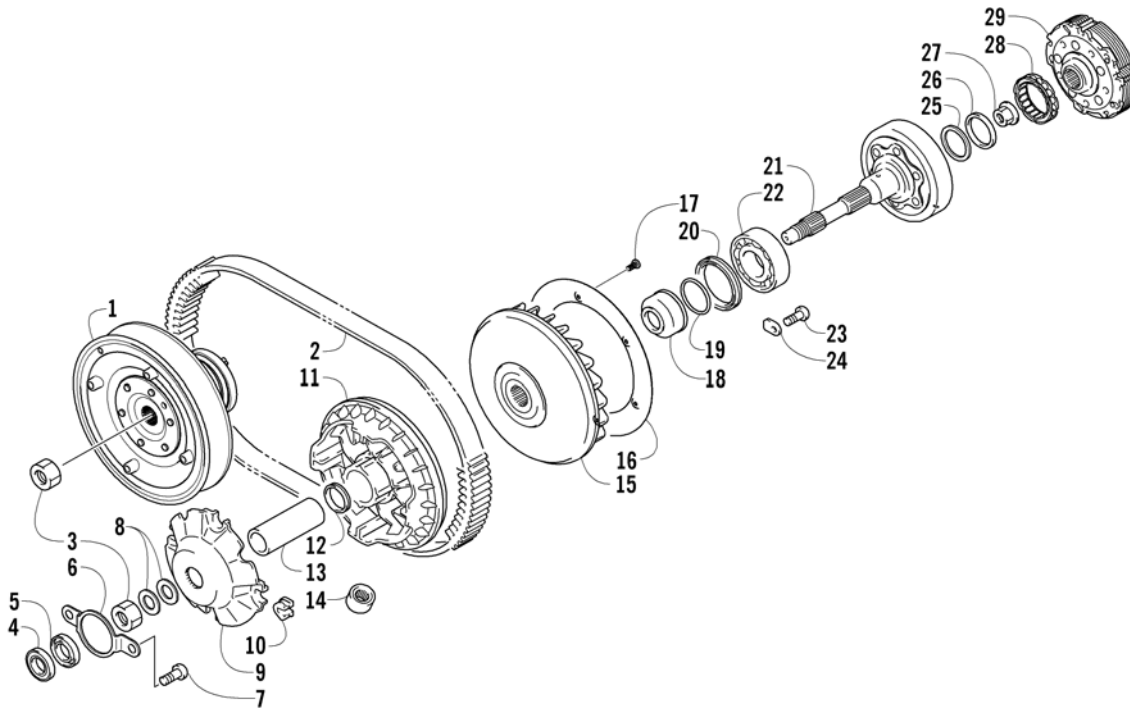
| Ref. | Part No. | Qty. | Description    | Ref. | Part No. | Qty. | Description                  |
|------|----------|------|----------------|------|----------|------|------------------------------|
| 1    | 0812-023 | 1    | Pump, Oil      | 9    | 0830-023 | 1    | O-Ring                       |
| 2    | 0812-002 | 1    | Gear, Driven   | 10   | 0812-004 | 1    | Cap, Oil Strainer            |
| 3    | 0829-009 | 1    | Pin            | 11   | 8468-625 | 4    | Screw, Machine               |
| 4    | 0828-007 | 1    | Washer         | 12   | 0812-029 | 1    | Filter, Oil                  |
| 5    | 0831-002 | 1    | Circlip        | 13   | 0812-006 | 1    | Plug, Drain                  |
| 6    | 0826-039 | 3    | Screw, Cap     | 14   | 0830-017 | 1    | Gasket, Drain Plug           |
| 7    | 0812-003 | 1    | Strainer, Oil  | 15   | 0812-007 | 1    | Valve, Oil Relief - Assembly |
| 8    | 0826-040 | 2    | Screw, Machine |      |          |      |                              |



## WATER PUMP ASSEMBLY

0737-052

| Ref. | Part No. | Qty. | Description            | Ref. | Part No. | Qty. | Description            |
|------|----------|------|------------------------|------|----------|------|------------------------|
| 1    | 0813-001 | 1    | Pump, Water - Assembly | 7    | 0832-008 | 1    | Bearing, Shaft         |
| 2    | 8468-665 | 2    | Screw, Machine         | 8    | 0831-004 | 1    | Circlip, Shaft Bearing |
| 3    | 0813-004 | 1    | Gear, Driven           | 9    | 0811-003 | 1    | Gear, Water Pump Drive |
| 4    | 0813-005 | 1    | Shaft, Driven Gear     | 10   | 0829-007 | 1    | Pin, Drive Gear        |
| 5    | 0829-009 | 1    | Pin, Driven Gear       | 11   | 0831-005 | 1    | Circlip, Drive Gear    |
| 6    | 0831-002 | 2    | Circlip, Driven Gear   |      |          |      |                        |

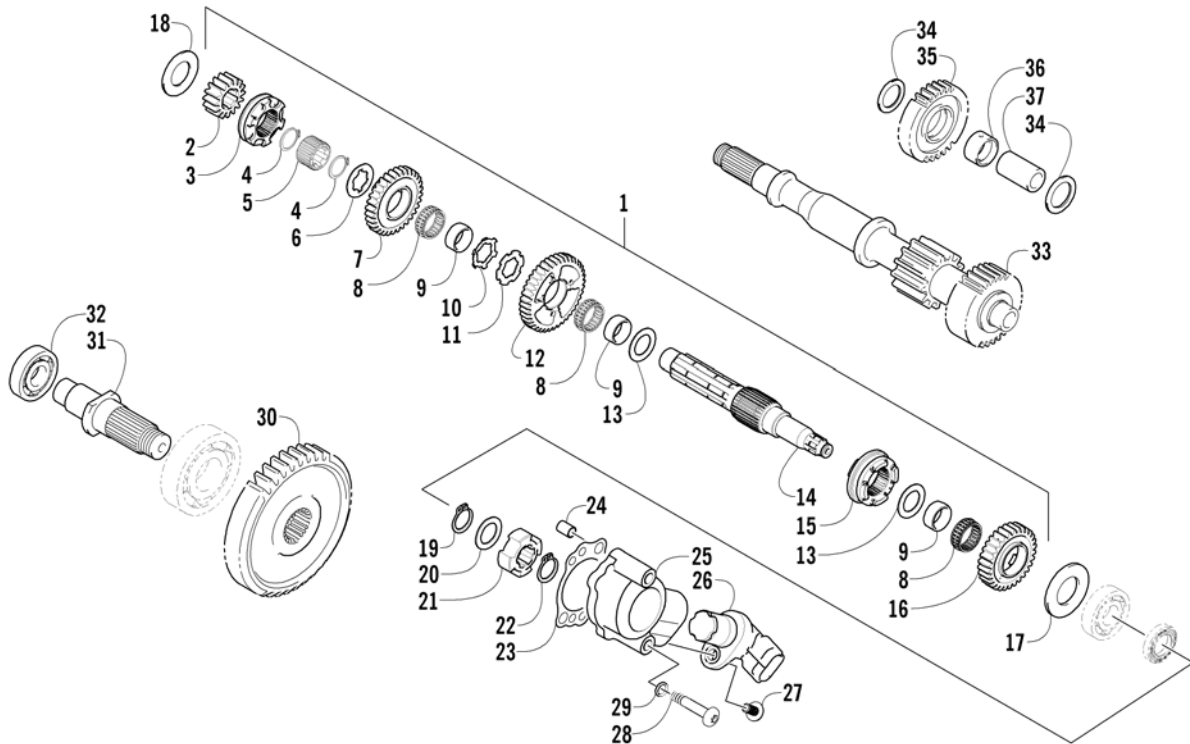


## TRANSMISSION ASSEMBLY

0739-848

| Ref. | Part No.        | Qty. | Description                  | Ref. | Part No.        | Qty. | Description                   |
|------|-----------------|------|------------------------------|------|-----------------|------|-------------------------------|
| 1    | <u>0823-157</u> | 1    | Pulley, Driven - Assembly    | 17   | 0623-914        | 6    | Screw, Self-Tapping           |
| 2    | <u>0823-176</u> | 3    | Shoe, Cam                    | 18   | 0823-015        | 1    | Spacer, Fixed Drive Face      |
| 3    | <u>0823-177</u> | 3    | Screw, Cam Shoe              | 19   | 0470-531        | 1    | O-Ring                        |
| 4    | 0832-010        | 1    | Bearing                      | 20   | 0830-034        | 1    | Seal, Clutch Housing - Right  |
| 5    | 0823-016        | 1    | Seal, Clutch Housing - Right | 21   | 0823-096        | 1    | Housing, Clutch               |
| 6    | 0823-020        | 1    | Retainer, Bearing            | 22   | 0832-009        | 1    | Bearing                       |
| 7    | 0826-031        | 2    | Screw                        | 23   | 0826-029        | 2    | Screw, Bearing Retainer       |
| 8    | 0827-010        | 1    | Nut                          | 24   | 0822-010        | 2    | Retainer, Bearing             |
| 9    | 0823-008        | 1    | Plate, Movable Drive Face    | 25   | 0828-075        | 1    | Shim                          |
| 10   | 0823-010        | 4    | Damper, Movable Drive Face   | 26   | 0823-017        | 1    | Seal, Clutch Housing - Left   |
| 11   | <u>0823-159</u> | 1    | Face, Movable Drive          | 27   | 0827-011        | 1    | Nut                           |
| 12   | 0823-013        | 1    | Belt, Drive                  | 28   | 0823-018        | 1    | Clutch, One-Way               |
| 13   | <u>0823-149</u> | 1    | Spacer, Movable Drive Face   | 29   | 0823-098        | 1    | Clutch, Centrifugal - 6 Plate |
| 14   | 0823-012        | 8    | Roller, Movable Drive Face   | 30   | <u>0823-178</u> | 1    | Nut, Driven Pulley            |
| 15   | 0823-001        | 1    | Face, Fixed Drive            | 31   | <u>0828-076</u> | 1    | Shim                          |
| 16   | 0823-131        | 1    | Shroud, Drive Face           |      |                 |      |                               |

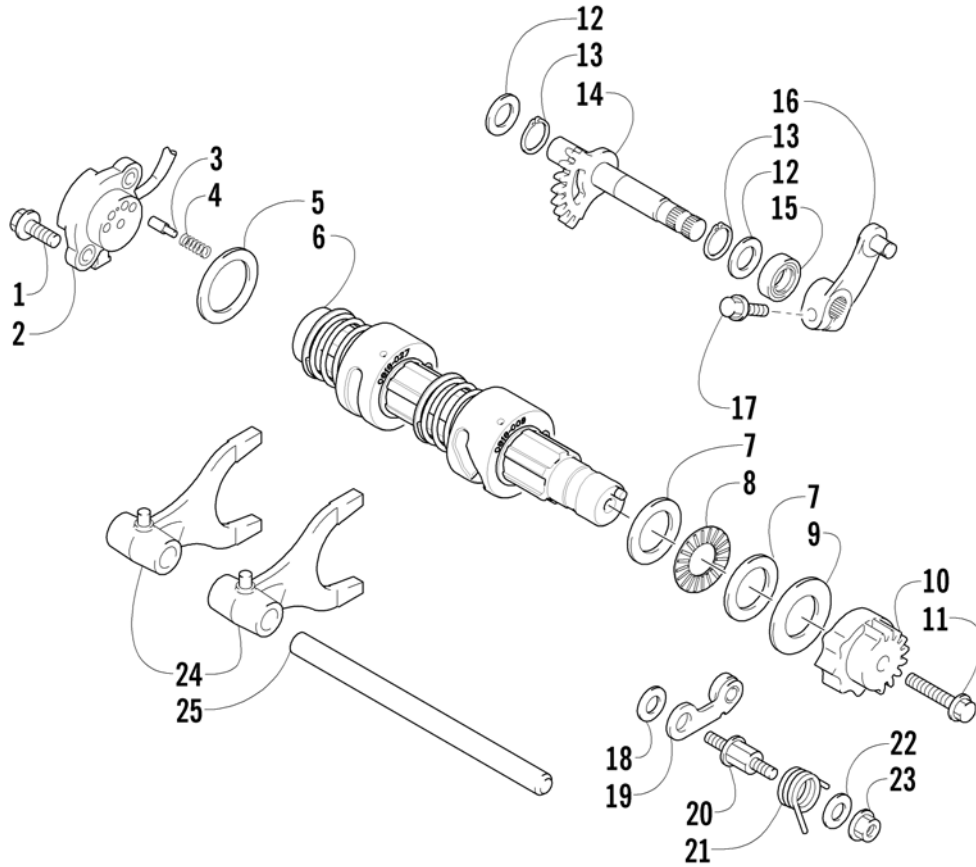




## SECONDARY TRANSMISSION ASSEMBLY

0740-752

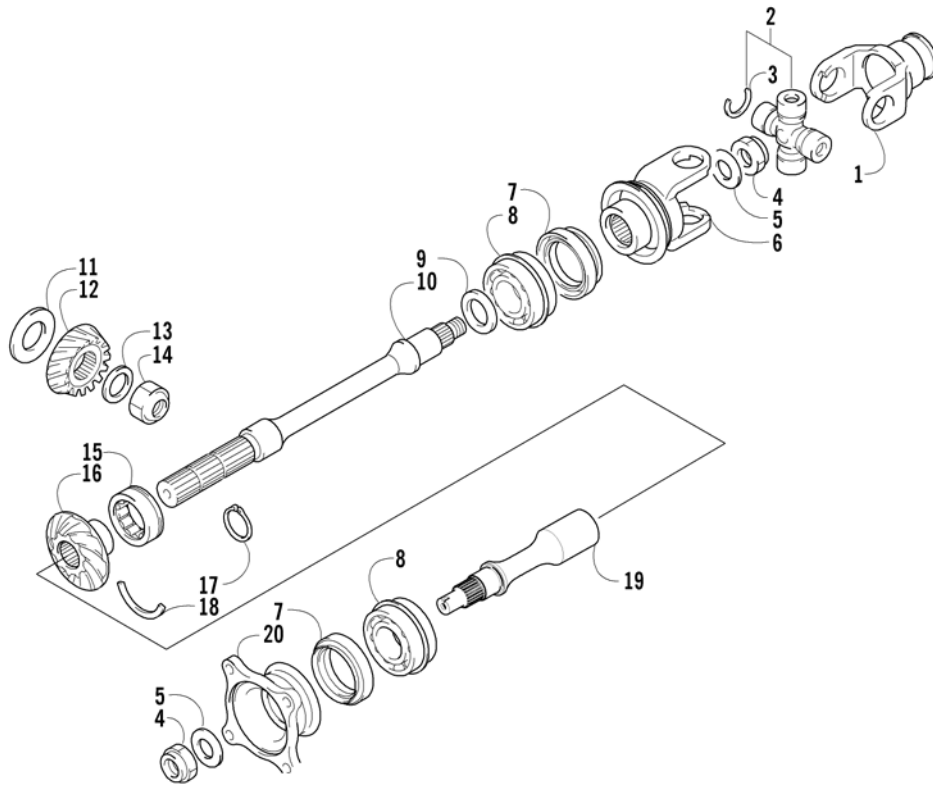
| Ref. | Part No. | Qty. | Description                       | Ref. | Part No. | Qty. | Description                 |
|------|----------|------|-----------------------------------|------|----------|------|-----------------------------|
| 1    | 0822-048 | 1    | Countershaft Assembly (inc. 2-16) | 20   | 0828-069 | 1    | Washer, Thrust              |
| 2    | 0822-008 | 1    | ø Gear, Drive - No. 2             | 21   | 0822-050 | 1    | Trigger, Speedometer Sensor |
| 3    | 0822-014 | 1    | ø Dog, Reverse Driven Gear        | 22   | 0831-039 | 1    | Ring, Retaining             |
| 4    | 0831-011 | 2    | ø Circlip                         | 23   | 0830-129 | 1    | Gasket                      |
| 5    | 0822-045 | 1    | ø Spacer, Reverse Driven Gear     | 24   | 0829-023 | 2    | Pin, Dowel                  |
| 6    | 0828-008 | 2    | ø Washer                          | 25   | 0822-049 | 1    | Housing, Speedometer Sensor |
| 7    | 0822-013 | 1    | ø Gear, Reverse Driven            | 26   | 0824-015 | 1    | Sensor, Speedometer         |
| 8    | 0832-011 | 3    | ø Bearing                         | 27   | 8468-620 | 1    | Screw, Machine              |
| 9    | 0822-005 | 3    | ø Bushing                         | 28   | 8468-645 | 2    | Screw, Machine              |
| 10   | 0828-014 | 1    | ø Washer, Lock                    | 29   | 0830-107 | 2    | Seal, Fastener              |
| 11   | 0828-015 | 1    | ø Washer, Lock                    | 30   | 0822-009 | 1    | Gear, Driven - No. 2        |
| 12   | 0822-004 | 1    | ø Gear, Driven - Low              | 31   | 0822-037 | 1    | Shaft, Output               |
| 13   | 0822-046 | 2    | ø Washer, Driven Gear             | 32   | 0832-014 | 1    | Bearing                     |
| 14   | 0822-003 | 1    | ø Countershaft                    | 33   | 0822-001 | 1    | Driveshaft                  |
| 15   | 0822-007 | 1    | ø Dog, Sliding                    | 34   | 0828-016 | 2    | Washer, Reverse Idle Gear   |
| 16   | 0822-006 | 1    | ø Gear, Driven - High             | 35   | 0822-011 | 1    | Gear, Reverse Idle          |
| 17   | 0828-011 | 1    | Washer, Drive Gear - Left         | 36   | 0822-012 | 1    | Bushing, Reverse Idle Gear  |
| 18   | 0828-010 | 1    | Washer, Drive Gear - Right        | 37   | 0822-015 | 1    | Shaft, Reverse Idle         |
| 19   | 0831-040 | 1    | Ring, Retaining                   |      |          |      |                             |



## GEAR SHIFTING ASSEMBLY

0737-055

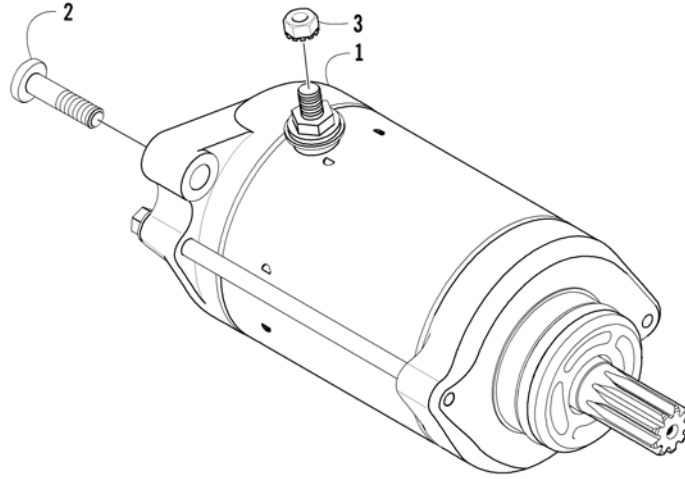
| Ref. | Part No. | Qty. | Description                   | Ref. | Part No. | Qty. | Description                |
|------|----------|------|-------------------------------|------|----------|------|----------------------------|
| 1    | 8470-520 | 2    | Screw, Machine                | 14   | 0818-007 | 1    | Shaft, Sub-Gear Shift      |
| 2    | 0818-049 | 1    | Base, Gear Shift - Assembly   | 15   | 0830-044 | 1    | Seal, Sub-Gear Shift Shaft |
| 3    | 0818-013 | 2    | Contact                       | 16   | 0818-014 | 1    | Arm, Select                |
| 4    | 0818-017 | 2    | Spring                        | 17   | 8468-620 | 1    | Screw, Machine             |
| 5    | 0828-040 | 1    | Washer, Shift Shaft           | 18   | 0828-038 | 1    | Washer, Cam Stopper        |
| 6    | 0818-046 | 1    | Shaft, Gear Shift - Assembly  | 19   | 0818-002 | 1    | Stopper, Cam               |
| 7    | 0828-067 | 2    | Washer, Shift Shaft           | 20   | 0818-004 | 1    | Support, Cam Stopper       |
| 8    | 0832-034 | 1    | Bearing                       | 21   | 0818-028 | 1    | Spring, Cam Stopper        |
| 9    | 0828-037 | 1    | Washer, Gear Shift Cam Plate  | 22   | 0828-035 | 1    | Washer, Cam Stopper Spring |
| 10   | 0818-005 | 1    | Plate, Gear Shift Cam         | 23   | 8424-602 | 1    | Nut, Cam Stopper Spring    |
| 11   | 0826-006 | 1    | Bolt, Gear Shift Cam Plate    | 24   | 0818-045 | 2    | Fork, Shift                |
| 12   | 0828-036 | 2    | Washer, Sub-Gear Shift Shaft  | 25   | 0818-006 | 1    | Shaft, Shift Fork          |
| 13   | 0831-010 | 2    | Circlip, Sub-Gear Shift Shaft |      |          |      |                            |



## SECONDARY DRIVE ASSEMBLY

0737-056

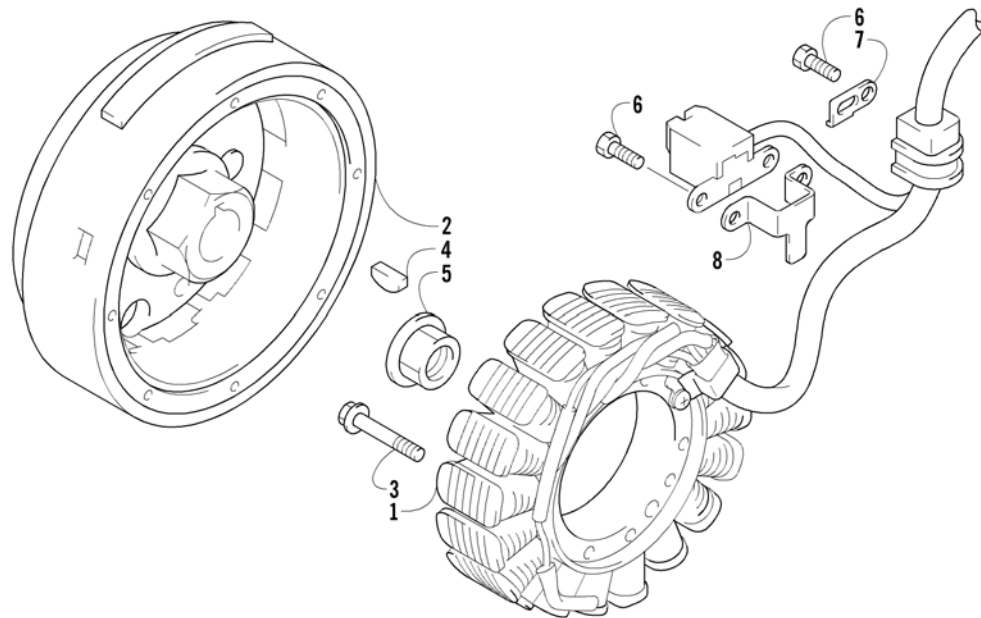
| Ref. | Part No. | Qty. | Description                     | Ref. | Part No. | Qty. | Description                    |
|------|----------|------|---------------------------------|------|----------|------|--------------------------------|
| 1    | 0819-063 | 1    | Yoke, Propeller Shaft Joint     | 11   | 0828-030 | AR   | Shim, 24 x 34 x 0.25 mm        |
| 2    | 1402-164 | 1    | Joint, Universal - Set (inc. 3) |      | 0828-031 | AR   | Shim, 24 x 34 x 0.30 mm        |
| 3    | 0423-450 | 4    | ø Circlip                       |      | 0828-032 | AR   | Shim, 24 x 34 x 0.35 mm        |
| 4    | 0827-013 | 2    | Nut, Rear Output Joint          |      | 0828-033 | AR   | Shim, 24 x 34 x 0.90 mm        |
| 5    | 0828-020 | 2    | Washer, Rear Output Flange      |      | 0828-018 | AR   | Shim, 24 x 34 x 0.95 mm        |
| 6    | 0819-061 | 1    | Yoke, Drive Output - Front      |      | 0828-062 | AR   | Shim, 24 x 34 x 1.00 mm        |
| 7    | 0830-043 | 2    | Seal, Oil - Driven Shaft        |      | 0828-063 | AR   | Shim, 24 x 34 x 1.05 mm        |
| 8    | 0832-017 | 2    | Bearing, Driven Shaft           |      | 0828-064 | AR   | Shim, 24 x 34 x 1.10 mm        |
| 9    | 0828-021 | AR   | Shim, 25 x 34 x 0.25 mm         |      | 0828-065 | AR   | Shim, 24 x 34 x 1.15 mm        |
|      | 0828-022 | AR   | Shim, 25 x 34 x 0.30 mm         | 12   | 0819-001 | 1    | Gear, Secondary Drive          |
|      | 0828-023 | AR   | Shim, 25 x 34 x 0.70 mm         | 13   | 0828-019 | 1    | Washer                         |
|      | 0828-024 | AR   | Shim, 25 x 34 x 0.90 mm         | 14   | 0827-012 | 1    | Nut                            |
|      | 0828-025 | AR   | Shim, 25 x 34 x 0.95 mm         | 15   | 0832-016 | 1    | Bearing, Driven Gear           |
|      | 0828-026 | AR   | Shim, 25 x 34 x 1.00 mm         | 16   | 0819-002 | 1    | Gear, Secondary Driven         |
|      | 0828-027 | AR   | Shim, 25 x 34 x 1.05 mm         | 17   | 0831-008 | 1    | Circlip, Secondary Driven Gear |
|      | 0828-028 | AR   | Shim, 25 x 34 x 1.10 mm         | 18   | 0819-011 | 1    | Ring, Driven Bearing           |
|      | 0828-029 | AR   | Shim, 25 x 34 x 1.15 mm         | 19   | 0819-053 | 1    | Shaft, Secondary Driven - Rear |
| 10   | 0819-003 | 1    | Shaft, Secondary Driven - Front | 20   | 0819-005 | 1    | Flange, Output Joint - Rear    |



## STARTER MOTOR ASSEMBLY

0737-033

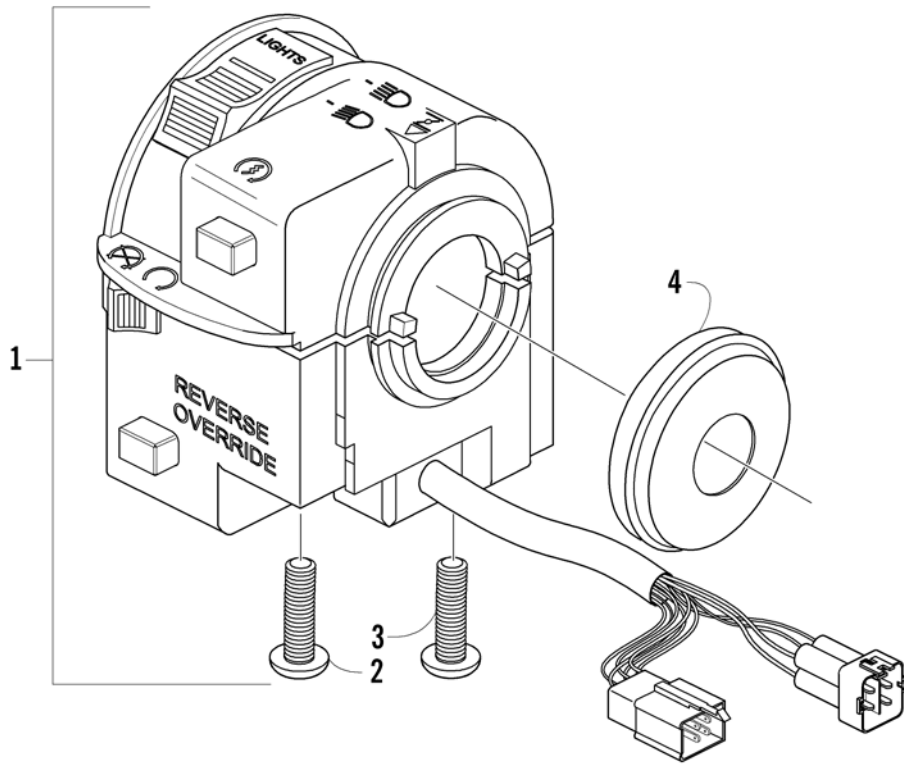
| Ref. | Part No. | Qty. | Description               | Ref. | Part No. | Qty. | Description  |
|------|----------|------|---------------------------|------|----------|------|--------------|
| 1    | 0825-001 | 1    | Motor, Starter - Assembly | 3    | 0623-038 | 1    | Nut w/Washer |
| 2    | 8468-630 | 2    | Screw, Machine            |      |          |      |              |



## MAGNETO ASSEMBLY

0738-459

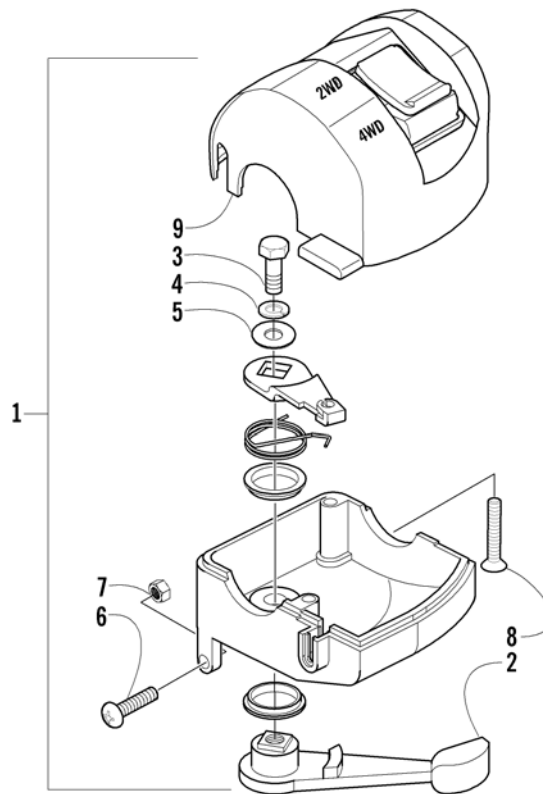
| Ref. | Part No. | Qty. | Description       | Ref. | Part No. | Qty. | Description    |
|------|----------|------|-------------------|------|----------|------|----------------|
| 1    | 0802-037 | 1    | Stator - Assembly | 5    | 0827-014 | 1    | Nut            |
| 2    | 0802-036 | 1    | Rotor/Flywheel    | 6    | 8470-510 | 3    | Screw, Machine |
| 3    | 0826-102 | 3    | Screw, Machine    | 7    | 0802-015 | 1    | Clamp - No. 1  |
| 4    | 0829-012 | 1    | Key               | 8    | 0802-016 | 1    | Clamp - No. 2  |



## CONTROL SWITCH HOUSING ASSEMBLY

0738-414

| Ref. | Part No. | Qty. | Description                           | Ref. | Part No. | Qty. | Description        |
|------|----------|------|---------------------------------------|------|----------|------|--------------------|
| 1    | 0509-014 | 4    | Switch, Control—Assembly (inc. 2-3)   | 3    | 0409-028 | 4    | Ø-Screw            |
|      | 0409-081 | 1    | Switch, Control - Assyembly Europe 06 | 4    | 3409-019 | 4    | Cover, Choke Lever |
| 2    | 0409-027 | 4    | Ø-Screw                               |      |          |      |                    |



## THROTTLE CASE ASSEMBLY

| Ref. | Part No. | Qty. | Description                          | Ref. | Part No. | Qty. | Description                     |
|------|----------|------|--------------------------------------|------|----------|------|---------------------------------|
| 1    | 0509-012 | 1    | Case, Throttle - Assembly (inc. 2-9) | 6    | 3423-014 | 1    | ∅ Screw                         |
| 2    | 3409-001 | 1    | ∅ Lever                              | 7    | 3423-327 | 1    | ∅ Nut                           |
| 3    | 3004-533 | 1    | ∅ Screw, Cap                         | 8    | 3423-199 | 2    | ∅ Screw                         |
| 4    | 3004-447 | 1    | ∅ Washer, Lock                       | 9    | 0409-048 | 1    | ∅ Cover, Throttle Case w/Switch |
| 5    | 3003-030 | 1    | ∅ Washer                             |      |          |      |                                 |

# RELATED ITEMS

## 2006 650-H1 3in1

Red Green Lime Green

|          |                                   |          |  |
|----------|-----------------------------------|----------|--|
| 0436-660 | Bag, Rack, Front, Black           | 2257-300 | Manual, Operator's (E)                           |
| 0436-480 | Bar, Utility                      | 2257-314 | Manuel d'utilisation (F)                         |
| 0436-619 | Brush Guard/Bumper - Deluxe       | 0652-024 | Paint, Metal - Black                             |
| 0436-757 | Bumper - Rear                     | 0436-635 | Plow Attachment Kit                              |
| 0436-827 | Cargo Box                         | 0436-228 | Plow Blade, 50 in. - Straight                    |
| 0436-459 | Carryall (9 x 12)                 | 0436-287 | Plow Blade, 50 in. - One-Way                     |
| 0436-460 | Carryall (11 x 17)                | 0436-296 | Plow Blade, 60 in. - Straight                    |
| 0436-462 | Carryall (10 D)                   | 0436-360 | Plow Blade, 60 in. - One-Way                     |
| 0436-477 | Cord Reel                         | 0436-636 | Plow, Push Frame                                 |
| 0436-726 | Cover, Trailerable                | 0436-626 | Rack Basket                                      |
| 0436-087 | Electrical Plug                   | 0436-798 | Rack - Rear                                      |
| 0436-035 | Engine Block Heater               | 0436-026 | Tire Chains, Size B<br>(24 in. and 25 in. Tires) |
| 0436-466 | Fender Box                        | 0436-027 | Tire Chains, Size C<br>(25 in. and 26 in. Tires) |
| 0436-538 | Gear Cradle                       | 1402-028 | Tire, Titan AT589<br>(25x8-12, Mud & Snow)       |
| 0436-501 | Grease, High-Performance          | 0402-563 | Tire, Titan AT589<br>(25x10-12, Mud & Snow)      |
| 0436-464 | Grill Cradle                      | 0436-656 | Winch Accessories Kit                            |
| 0436-828 | Gun Holder - Pro-Grip             | 0436-655 | Winch Kit, 2500 lb                               |
| 0436-352 | Hand/Thumb Warmers                | 0436-703 | Windshield, Clear                                |
| 0436-463 | Light Bar                         | 0436-623 | Windshield, Clear w/Accent                       |
| 0436-516 | Light Mount, Portable - Cargo Box | 0436-470 | Workbase (8 in.)                                 |
| 0436-040 | Light, Portable - Spotlight       |          |  |
| 0436-039 | Light, Portable - Work            |          |  |
| 0436-122 | Lunch Pack, Black                 |          |  |
| 2257-458 | Manual, Illustrated Parts         |          |  |

■ **NOTE:** For a complete list of related items, refer to the current accessory catalog.