



ARCTIC CAT[®]

www.ace.ag

650 V2

STREET LEGAL



2006

Illustrated Parts Manual

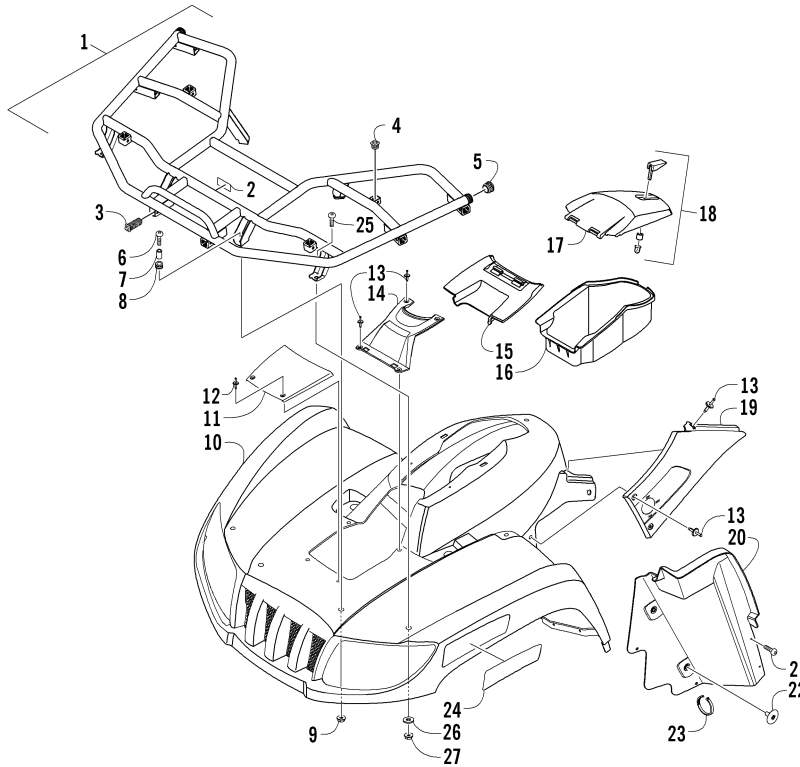
TABLE OF CONTENTS

2006 ATV 650 V-Twin FIS (Automatic Transmission)

Red
Green
Cat Green

FRONT BODY PANEL ASSEMBLY	1
REAR BODY PANEL ASSEMBLY	2
TAILLIGHT ASSEMBLY	3
DECALS	4
FRAME AND RELATED PARTS	5
FRAME AND RELATED PARTS (LE)	6
WINCH ASSEMBLY (LE)	7
SEAT ASSEMBLY	8
STEERING POST ASSEMBLY	9
HANDLEBAR ASSEMBLY	10
THROTTLE CASE AND CONTROL SWITCH ASSEMBLIES	11
FRONT SUSPENSION ASSEMBLY	12
REAR SUSPENSION ASSEMBLY	13
WHEEL AND TIRE ASSEMBLY	14
WHEEL AND TIRE ASSEMBLY (LE)	15
AUXILIARY BRAKE ASSEMBLY	16
HYDRAULIC HAND BRAKE ASSEMBLY	17
HYDRAULIC BRAKE ASSEMBLY	18
GAS TANK ASSEMBLY	19
REVERSE SHIFT LEVER ASSEMBLY	20
AIR INTAKE ASSEMBLY	21
ENGINE AND EXHAUST	22
COOLING ASSEMBLY	23
CASE/BELT COOLING ASSEMBLY	24
DRIVE TRAIN ASSEMBLY	25
FRONT DRIVE GEARCASE ASSEMBLY	26
REAR DRIVE GEARCASE ASSEMBLY	27
WIRING HARNESS ASSEMBLY	28
BATTERY AND SOLENOID ASSEMBLY	29
CARBURETOR	30
CYLINDER HEAD ASSEMBLY	31
CYLINDER/PISTON ASSEMBLY	32
VALVE ASSEMBLY	33
CAMSHAFTS/TENSIONER ASSEMBLY	34
CRANKSHAFT ASSEMBLY	35
TRANSMISSION ASSEMBLY	36
GEAR SHIFTING ASSEMBLY	37
DRIVE CLUTCH	38
DRIVEN CLUTCH	39
CLUTCH COVER	40
CRANKCASE ASSEMBLY	41
ENGINE COVERS	42
OIL PUMP ASSEMBLY	43
MAGNETO	44
STARTER MOTOR	45
WATER PUMP/THERMOSTAT ASSEMBLY	46
RECOIL STARTER	47
FRONT BEVEL GEAR	48
RELATED ITEMS	Back Cover

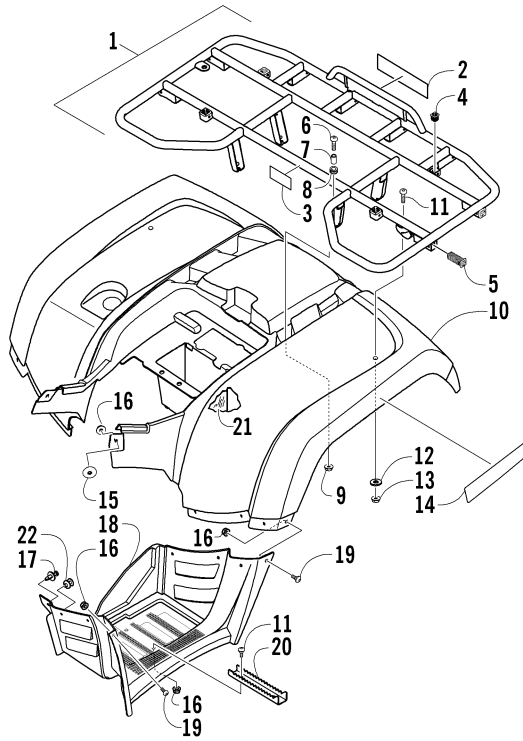
■ **NOTE:** The illustrations used in this Parts Manual are for reference to replacement part numbers only and are not to be used for assembly. For assembly procedures, use an Arctic Cat Service Manual. Underlined part numbers are new for the 2006 model year.



FRONT BODY PANEL ASSEMBLY

0739-662R

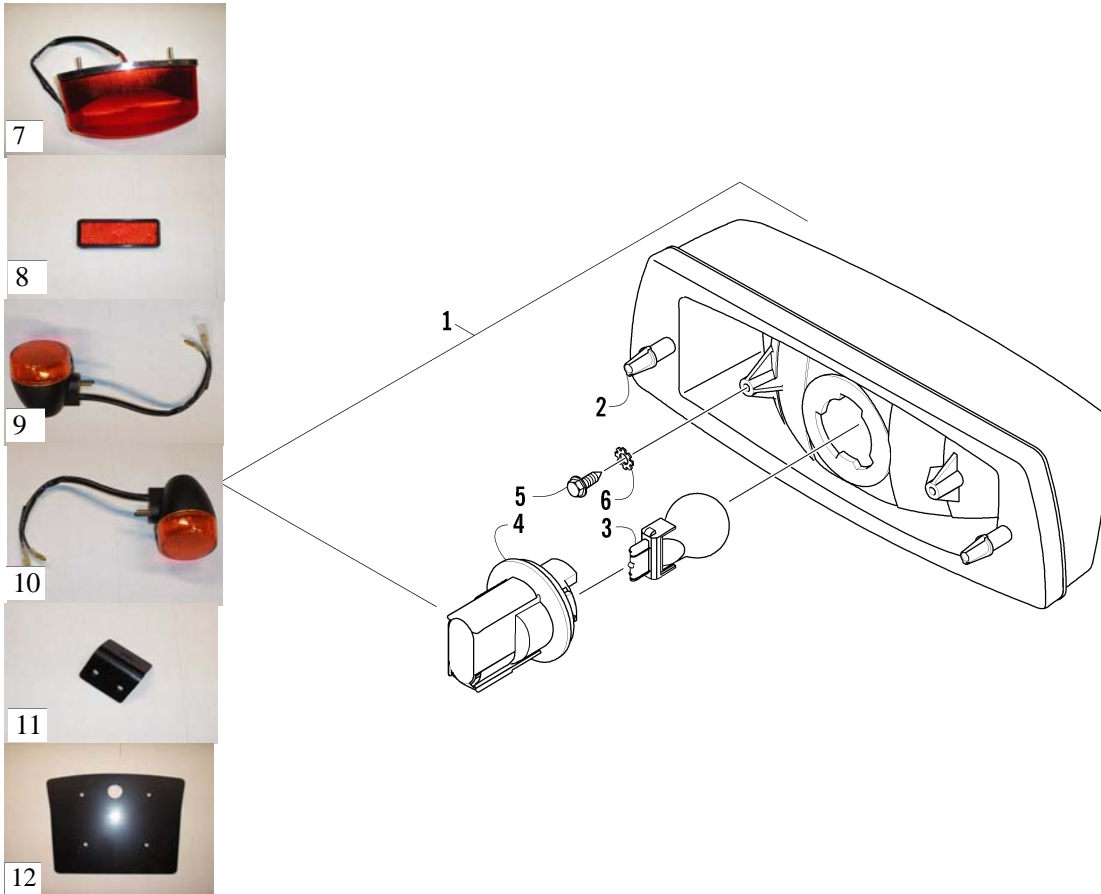
Ref.	Part No.	Qty.	Description	Ref.	Part No.	Qty.	Description
1	<u>0541-272</u>	1	Rack - Front - Assembly (inc. 2-5)	18	1406-599	1	Latch, Storage Box
2	0411-576	1	ø Decal, Warning - Front Rack Load	19	<u>1406-313</u>	1	Panel, Side - Right
3	0441-556	4	ø Bushing, Rack		<u>1406-314</u>	1	Panel, Side - Left
4	0441-592	6	ø Bushing, Rack	20	<u>1406-354</u>	1	Panel, Splash - Right
5	<u>1441-049</u>	2	ø Plug, Rack		<u>1406-355</u>	1	Panel, Splash - Left
6	0423-362	4	Screw, Machine	21	0423-342	4	Screw, Self-Tapping
7	0423-463	4	Spacer	22	0423-101	5	Screw, Body
8	0423-465	4	Grommet	23	0123-788	AR	Cable Tie - 7.5 in.
9	8432-802	4	Nut, Lock	24	<u>0411-818</u>	1	Decal, Reflector - Amber - Right
10	<u>1406-609</u>	1	Panel, Fender - Front		<u>0411-819</u>	1	Decal, Reflector - Amber - Left
	<u>1406-608</u>	1	Panel, Fender - Front (Green)	25	0423-355	2	Screw, Shoulder
	<u>1406-610</u>	1	Panel, Fender - Front (Cat Green)	26	8050-222	2	Washer
11	<u>1406-358</u>	1	Cover, Access - Radiator	27	8424-602	2	Nut, Lock
12	<u>0423-535</u>	2	Rivet, Reinstallable	28	AC008-790	1	Anti Theft Device
13	0623-362	10	Rivet, Reinstallable	29	AC008-793	1	Bracket, Anti Theft Device
14	<u>1406-484</u>	1	Cover, Steering Post	30	AC008-792	1	Holder, Anti Theft Device
15	<u>0470-513</u>	1	Cover, Storage Box	31	AC008-795	1	Star Screw, Anti Theft Device
16	<u>1406-573</u>	1	Box, Storage	32	AC008-011	1	Holder Panel Left
17	<u>0470-514</u>	1	Lid, Storage Box	33	AC008-012	1	Holder Panel Right



REAR BODY PANEL ASSEMBLY

0740-260

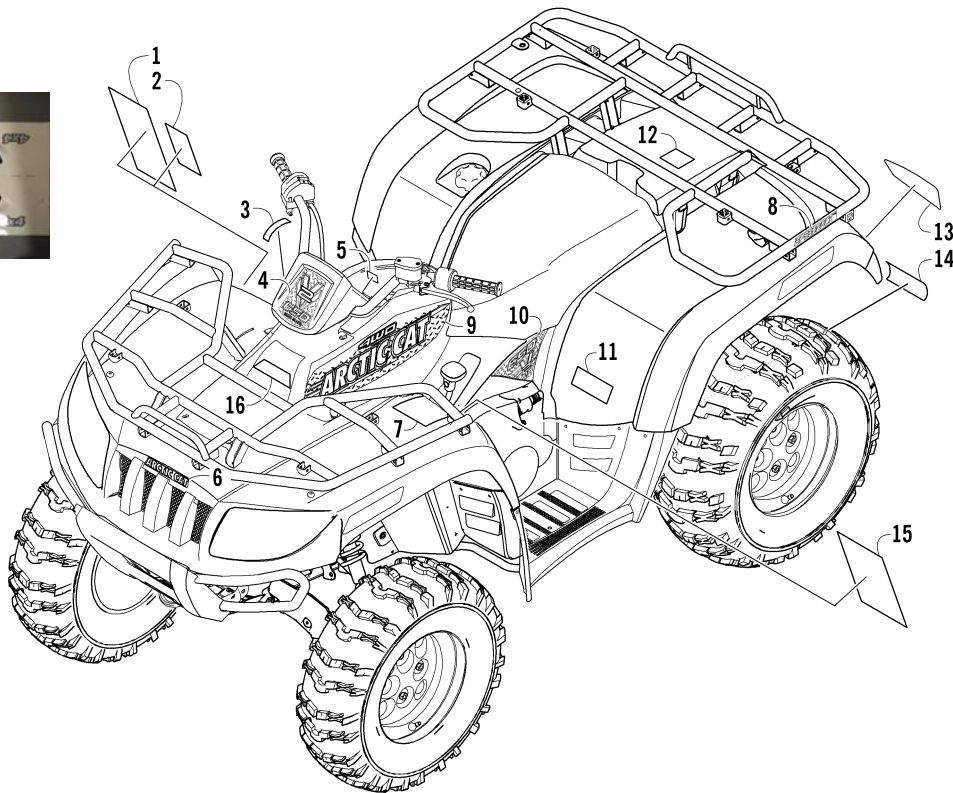
Ref.	Part No.	Qty.	Description	Ref.	Part No.	Qty.	Description
1	<u>0541-275</u>	1	Rack - Rear - Assembly (inc. 2-5)	12	8050-222	2	Washer
	<u>0541-285</u>	1	Rack - Rear - Assembly (inc. 2-5) (LE)	13	<u>8424-602</u>	2	Nut, Lock
2	<u>0411-814</u>	1	ø Decal, "Arctic Cat"	14	<u>0411-820</u>	1	Decal, Reflector - Red - Right
	<u>0411-947</u>	1	ø Decal, "Arctic Cat" (LE)		<u>0411-821</u>	1	Decal, Reflector - Red - Left
3	0411-648	1	ø Decal, Warning - Rear Rack Load	15	0423-101	2	Screw, Body
4	0441-592	4	ø Bushing, Rack	16	<u>0423-540</u>	10	Nut, Lock
5	0441-556	8	ø Bushing, Rack	17	0623-362	2	Rivet, Reinstallable
6	0423-362	4	Screw, Machine	18	<u>1406-517</u>	1	Footwell - Right
7	0423-463	4	Spacer		<u>1406-519</u>	1	Footwell - Left
8	0423-465	4	Grommet	19	0423-419	4	Screw, Machine
9	<u>8432-802</u>	4	Nut, Lock	20	<u>1506-125</u>	2	Footpeg
10	<u>1406-284</u>	1	Panel, Fender - Rear	21	<u>0412-296</u>	1	Shield, Heat
	<u>1406-603</u>	1	Panel, Fender - Rear (Green)	22	0423-046	12	Rivet, Plastic
	<u>1406-604</u>	1	Panel, Fender - Rear (Cat Green)	23	0470-404	2	Grommet
11	0423-355	6	Screw, Shoulder				



TAILLIGHT ASSEMBLY

0739-667

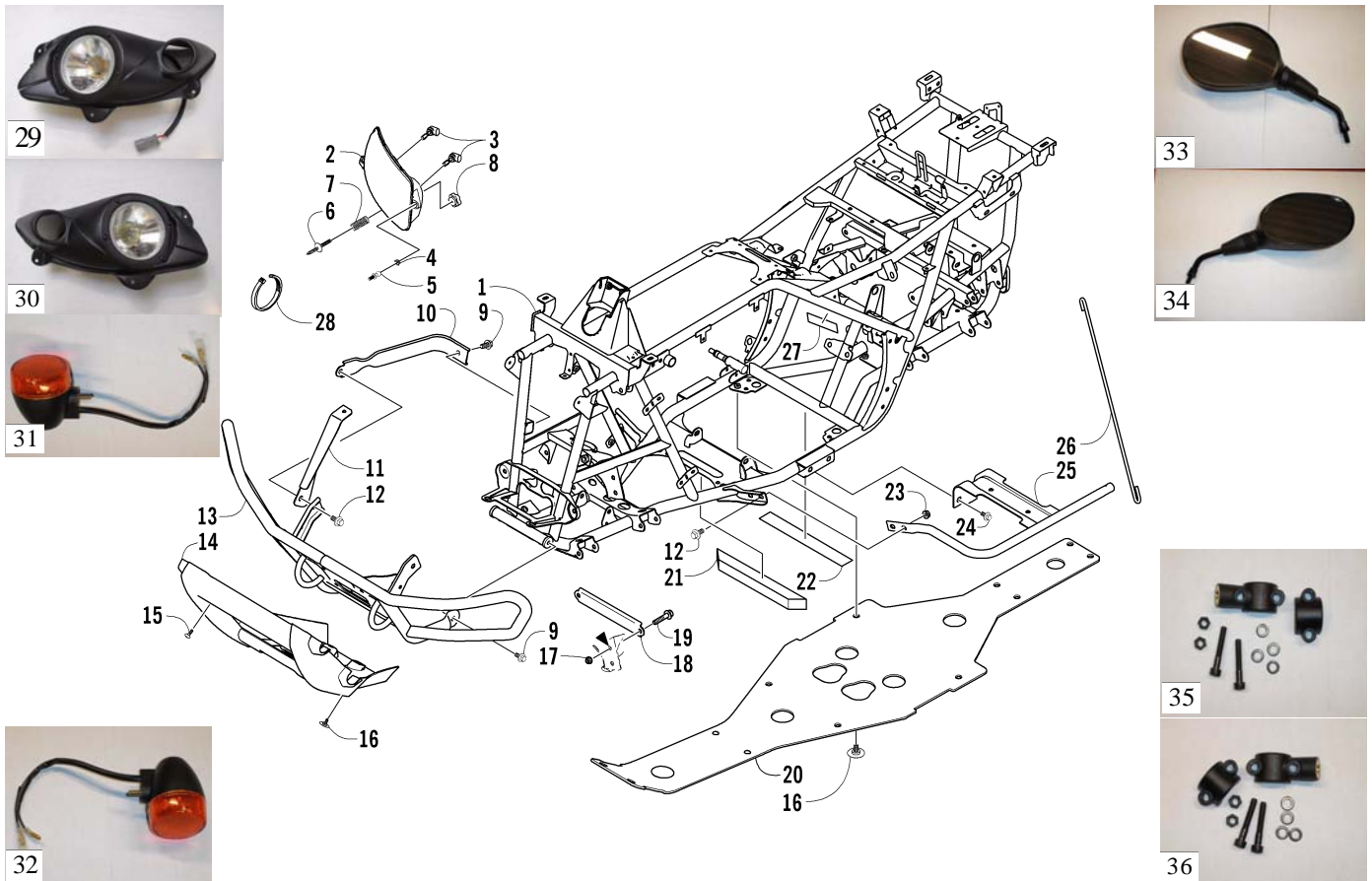
Ref.	Part No.	Qty.	Description	Ref.	Part No.	Qty.	Description
1	0509-022	4	Taillight Assembly (inc. 2-4)	7	AC003-079	1	Taillight, New
2	0509-025	4	ø Housing, Taillight	8	AC008-139	2	Reflector
3	0409-056	4	ø Bulb, Taillight	9	AC003-145	1	Indicator Left
4	0409-057	4	ø Socket, Taillight	10	AC003-146	1	Indicator Right
5	0623-304	2	Screw, Self-Tapping	11	AC008-223	2	Bracket Indicator 500/650
6	8053-242	2	Washer, Lock-External-Tooth	12	AC008-231	1	Bracket Number Plate 500/650



DECALS

0739-812

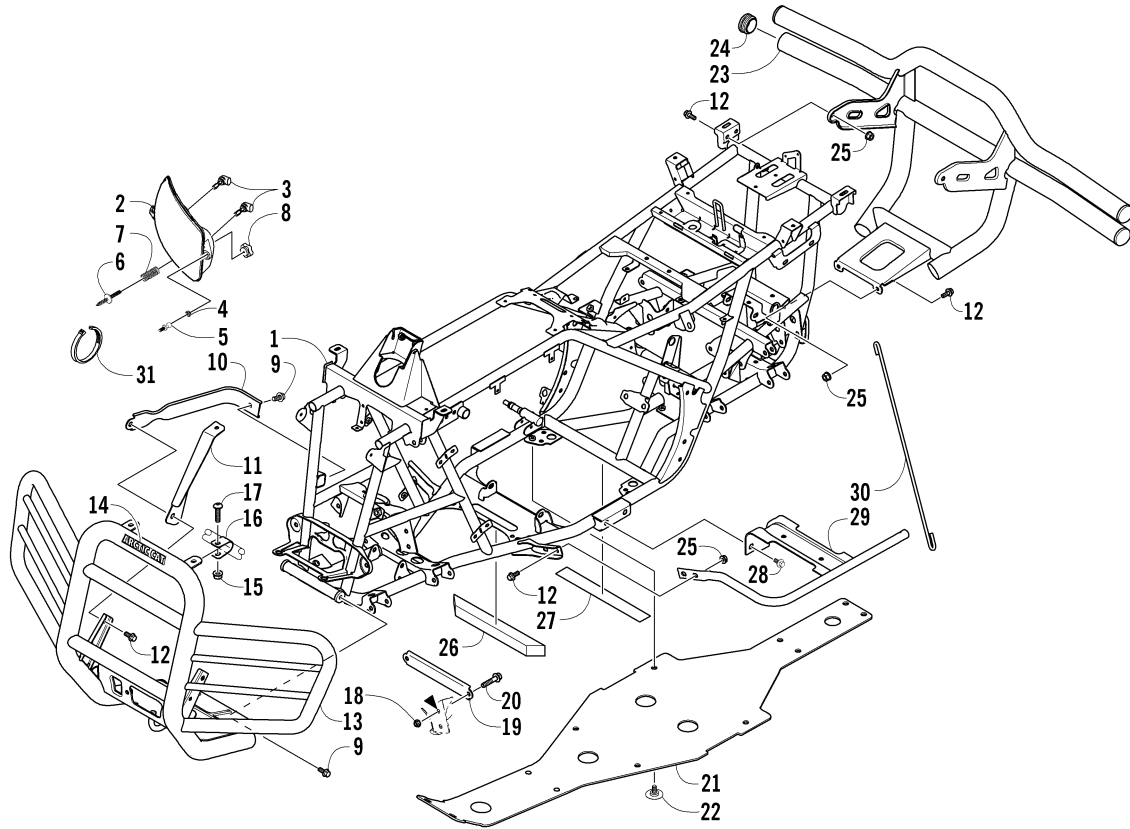
Ref.	Part No.	Qty.	Description	Ref.	Part No.	Qty.	Description
1	0411-008	4	Decal, Warning - Reverse/Pre-Ride	10	AC001-645	1	ACE, Decal Side RH 500/650
2	0411-835	4	Decal, Warning - Turn		0411-884	4	Decal, Side - Lower Right
3	0411-426	1	Decal, Warning - Clutch Cover		0411-885	4	Decal, Side - Lower Left
4	0411-850	4	Decal, Instrument Pod		0411-882	4	Decal, Side - Lower Right (Green)
	0411-849	4	Decal, Instrument Pod (Green)		0411-883	4	Decal, Side - Lower Left (Green)
	0411-851	4	Decal, Instrument Pod (Cat Green)		0411-886	4	Decal, Side - Lower Right (Cat Green)
	AC001-639	1	ACE, Decal Head 500/650		0411-887	4	Decal, Side - Lower Left (Cat Green)
5	0411-966	1	Decal, Warning - Differential Lock		AC001-648	1	ACE, Decal 650 LH
6	0411-840	1	Decal, Front		AC001-649	1	ACE, Decal 650 RH
	0411-839	1	Decal, Front (Green)	11	0411-430	1	Decal, Warning - Tire Pressure
	0411-841	1	Decal, Front (Cat Green)	12	0411-435	1	Decal, Passenger
7	0411-401	1	Decal, Warning - Age	13	0411-890	4	Decal, Rear - Right
8	0411-965	2	Decal, "SpeedRack"		0411-891	4	Decal, Rear - Left
9	0411-854	4	Decal, Side - Upper Right		0411-888	4	Decal, Rear - Right (Green)
	0411-855	4	Decal, Side - Upper Left		0411-889	4	Decal, Rear - Left (Green)
	0411-852	4	Decal, Side - Upper Right (Green)		0411-892	4	Decal, Rear - Right (Cat Green)
	0411-853	4	Decal, Side - Upper Left (Green)		0411-893	4	Decal, Rear - Left (Cat Green)
	0411-856	4	Decal, Side - Upper Right (Cat Green)	14	0411-267	1	Decal, Warning - Towing
	0411-857	4	Decal, Side - Upper Left (Cat Green)	15	0411-218	4	Decal, Warning - General
	AC001-644	1	ACE, Decal Side LH 500/650	16	0411-964	1	Decal, Crest - "SpeedRack"



FRAME AND RELATED PARTS

0739-816

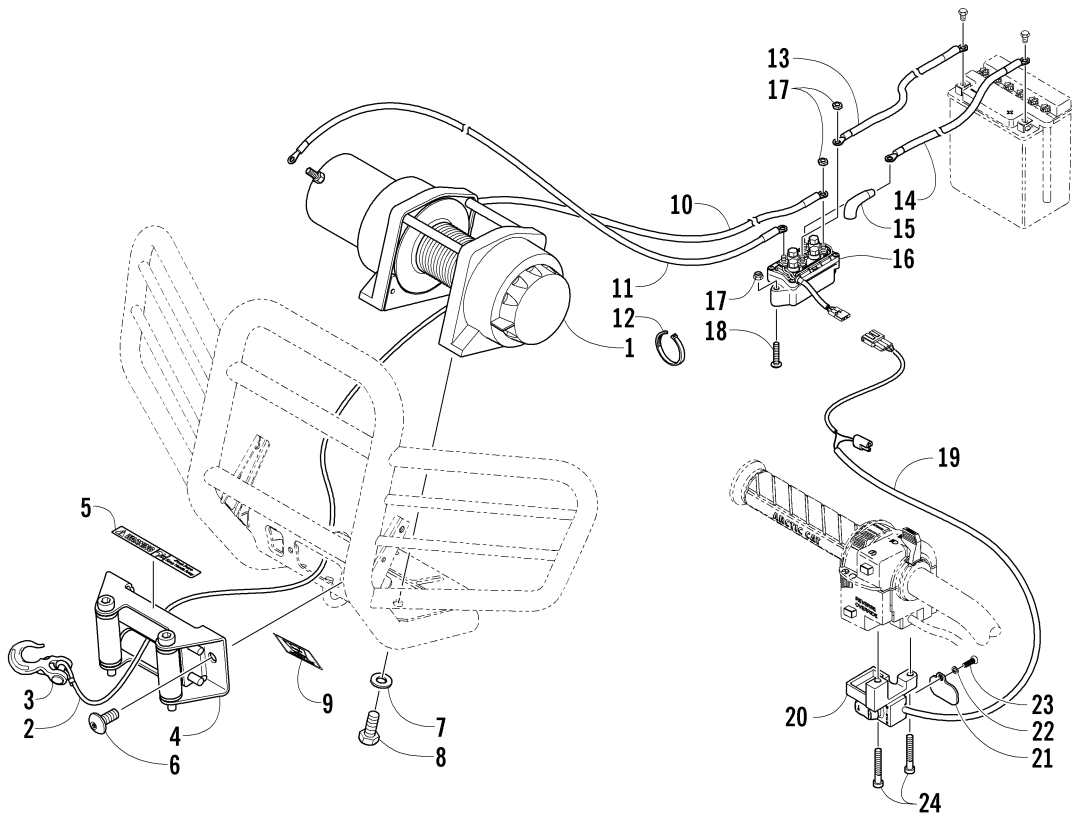
Ref.	Part No.	Qty.	Description	Ref.	Part No.	Qty.	Description
1	1506-437	1	Frame, Main	18	1506-429	1	Brace, A-Arm
2	0509-016	4	Headlight Assembly - Right (inc. 3-4)	19	8409-025	2	Screw, Cap
	0509-018	4	Headlight Assembly - Left (inc. 3-4)	20	1406-425	1	Panel, Belly
3	0409-055	4	ø Bulb, Headlight	21	1506-067	1	Foam, Frame
4	0423-452	4	ø Socket, Mounting	22	0406-289	1	Pad, Frame - Battery Top
5	0423-515	4	Stud, Mounting - Headlight	23	8424-802	4	Nut, Flange
6	0423-514	2	Stud, Adjuster - Headlight	24	8409-016	4	Screw, Cap
7	0423-522	2	Spring, Adjuster	25	1506-380	1	Footrest - Right
8	0423-513	2	Knob, Adjuster		1506-379	1	Footrest - Left
9	8409-020	4	Screw, Cap	26	1406-298	2	Rod, Support
10	0506-653	1	Channel, Bumper Mounting - Right	27	0412-298	1	Heat Shield
	1506-596	1	Channel, Bumper Mounting - Left	28	0623-751	1	Cable Tie
11	1506-562	1	Bracket, Mounting - Bumper - Right	29	AC003-009	1	Headlight Assy. NIOX 500/650 Left
	1506-563	1	Bracket, Mounting - Bumper - Left	30	AC003-010	1	Headlight Assy. NICX 500/650 Right
12	8408-816	6	Screw, Cap	31	AC003-145	1	Indicator, Left
13	1506-195	1	Bumper	32	AC003-146	1	Indicator, Right
14	1406-360	1	Grille, Bumper	33	AC008-751	1	Mirror Left
15	0423-419	2	Screw, Machine	34	AC008-752	1	Mirror Right
16	0423-101	16	Screw, Body	35	AC008-753	1	Mirror Mounting Left
17	8428-002	2	Nut, Lock	36	AC008-754	1	Mirror Mounting Right



FRAME AND RELATED PARTS (LE)

0739-906

Ref.	Part No.	Qty.	Description	Ref.	Part No.	Qty.	Description
1	1506-437	1	Frame, Main	16	1506-667	2	Strap, Bumper Support
2	0509-016	1	Headlight Assembly - Right (inc. 3-4)	17	8468-845	2	Screw, Machine
	0509-018	1	Headlight Assembly - Left (inc. 3-4)	18	8428-002	2	Nut, Lock
3	0409-055	4	∅ Bulb, Headlight	19	1506-429	1	Brace, A-Arm
4	0423-452	4	∅ Socket, Mounting	20	8409-025	2	Screw, Cap
5	0423-515	4	Stud, Mounting - Headlight	21	1406-425	1	Panel, Belly
6	0423-514	2	Stud, Adjuster - Headlight	22	0423-101	16	Screw, Body
7	0423-522	2	Spring, Adjuster	23	1506-615	1	Bumper, Rear (inc. 24)
8	0423-513	2	Knob, Adjuster	24	0406-130	4	∅ Cap, Bumper
9	8409-020	4	Screw, Cap	25	8424-802	8	Nut, Flange
10	0506-653	1	Channel, Bumper Mounting - Right	26	1506-067	1	Foam, Frame
	1506-596	1	Channel, Bumper Mounting - Left	27	0406-289	1	Pad, Frame - Battery Top
11	1506-562	1	Bracket, Mounting - Bumper - Right	28	8409-016	4	Screw, Cap
	1506-563	1	Bracket, Mounting - Bumper - Left	29	1506-380	1	Footrest - Right
12	8408-816	10	Screw, Cap		1506-379	1	Footrest - Left
13	1506-666	1	Bumper (inc. 14)	30	1406-298	2	Rod, Support
14	0411-501	1	∅ Decal, "Arctic Cat"	31	0623-751	1	Cable Tie
15	8424-805	2	Nut, Lock				

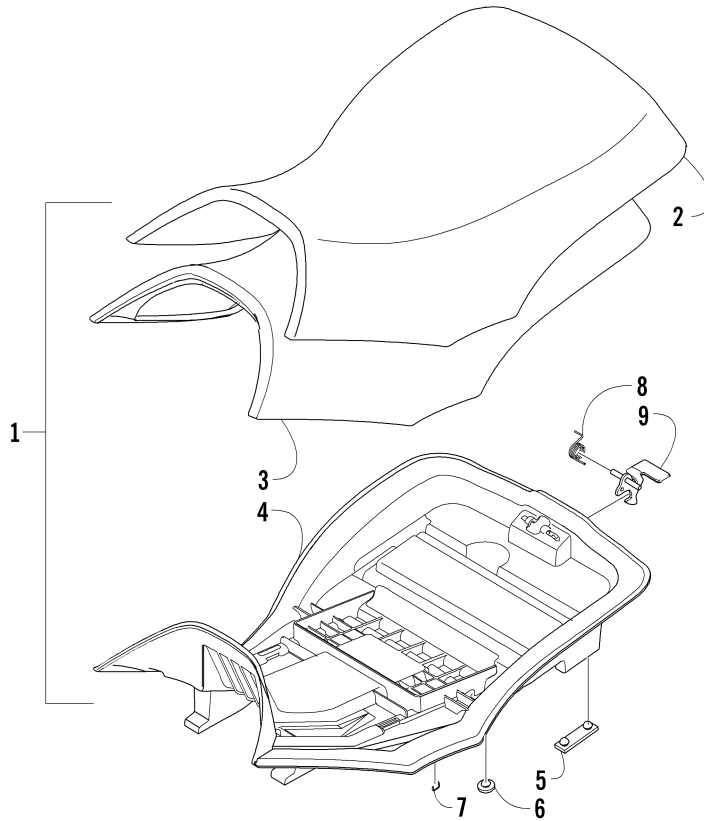


WINCH ASSEMBLY (LE)

Complete Winch Kit - 2500 lb (p/n 0436-655)

0739-922

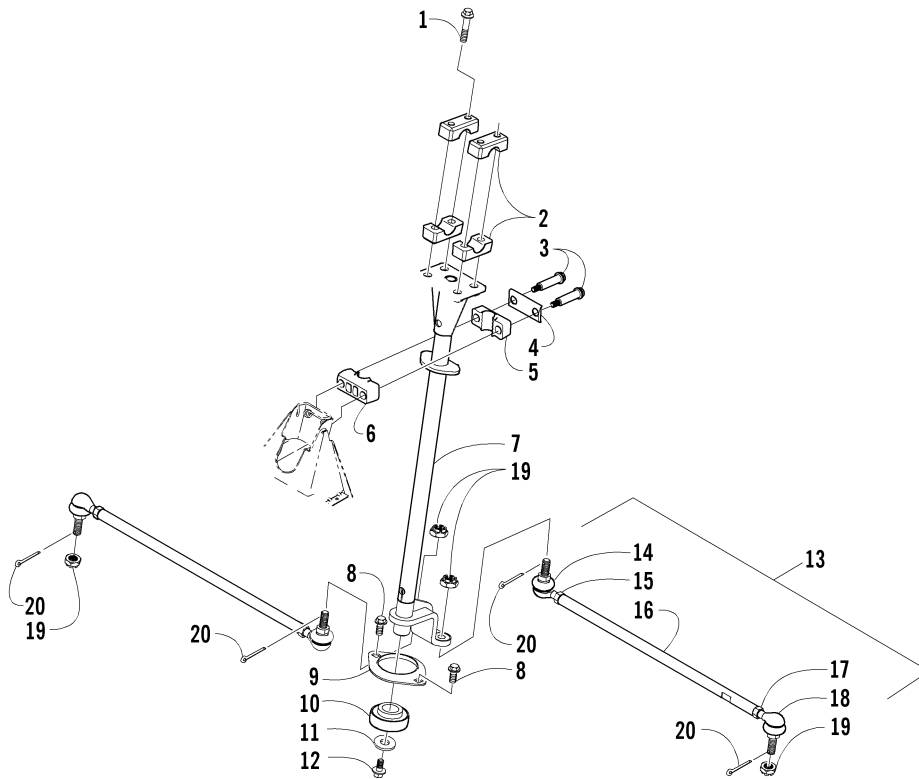
Ref.	Part No.	Qty.	Description	Ref.	Part No.	Qty.	Description
1	0441-490	1	Winch (inc. 2-3)	13	<u>1441-112</u>	1	Cable, Solenoid/Battery - Black
2	0441-061	1	∅ Cable, Winch	14	<u>1441-113</u>	1	Cable, Solenoid/Battery - Red
3	1441-131	1	∅ Hook, Winch	15	0441-060	3	Boot, Terminal
4	0441-403	1	Roller, Winch (inc. 5)	16	<u>0409-066</u>	1	Solenoid
5	0411-474	1	∅ Decal, Warning - Roller	17	<u>0623-038</u>	6	Nut w/Washer
6	<u>8468-820</u>	2	Screw, Machine	18	8476-625	2	Screw, Machine
7	<u>8051-246</u>	4	Washer, Lock	19	<u>0409-065</u>	1	Switch, Control
8	1623-131	4	Screw, Cap	20	<u>0409-034</u>	1	Holder, Control Switch
9	0411-433	1	Decal, Winch	21	<u>0409-040</u>	1	Cover, Switch
10	<u>1441-111</u>	1	Cable, Winch/Solenoid - Yellow	22	<u>8051-212</u>	1	Washer
11	<u>1441-110</u>	1	Cable, Winch/Solenoid - Blue	23	<u>0423-382</u>	1	Screw, Self-Tapping
12	0123-788	AR	Cable Tie - 7.5 in.	24	<u>8464-560</u>	2	Screw, Machine



SEAT ASSEMBLY

0739-690

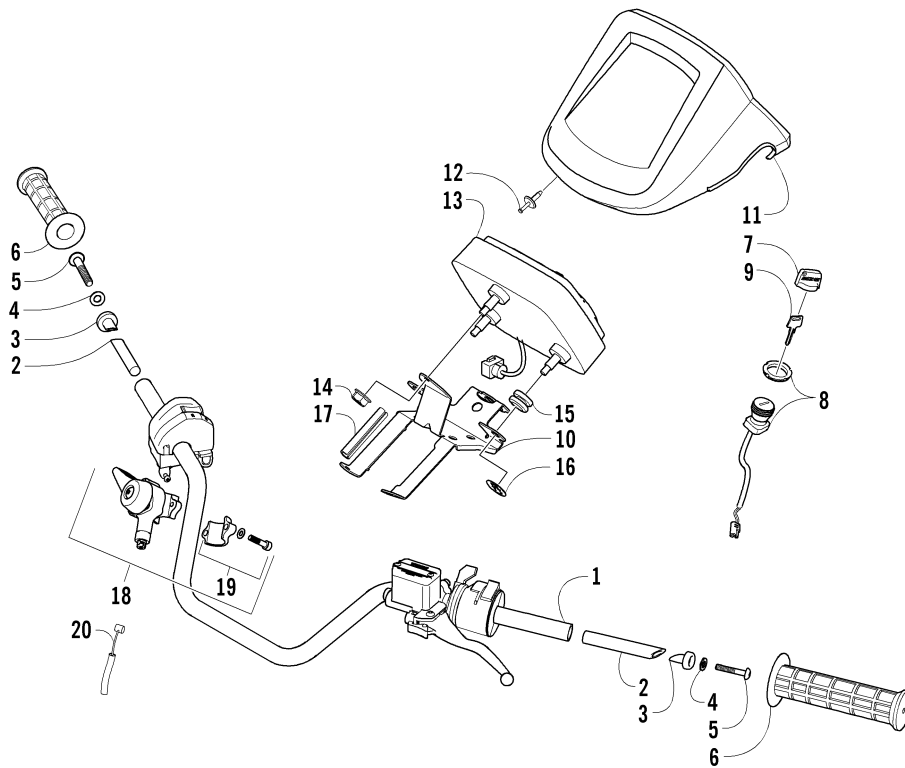
Ref.	Part No.	Qty.	Description	Ref.	Part No.	Qty.	Description
1	<u>1506-207</u>	1	Seat Assembly (inc. 2-9)	6	0406-877	4	ø ø Bumper, Seat - Front
2	<u>1506-209</u>	1	ø Cover, Seat	7	0624-528	AR	ø Staple
3	<u>1506-208</u>	1	ø Foam, Seat	8	<u>1406-592</u>	1	ø Spring, Seat Latch
4	<u>1406-362</u>	1	ø Base, Seat Assembly (inc. 5-6)	9	<u>1506-156</u>	1	ø Latch, Seat
5	0406-879	2	ø ø Bumper, Seat - Rear				



STEERING POST ASSEMBLY

0739-774

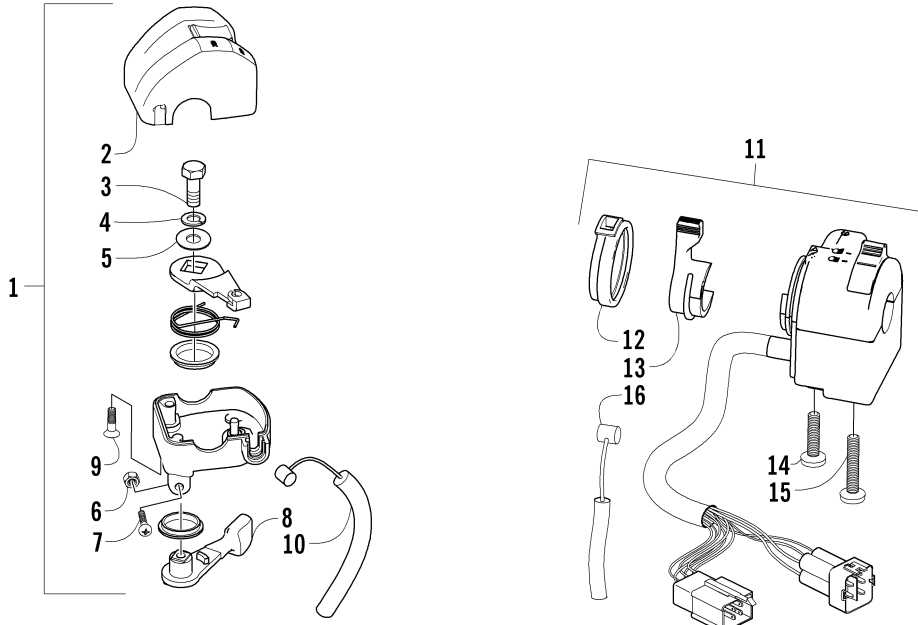
Ref.	Part No.	Qty.	Description	Ref.	Part No.	Qty.	Description
1	8408-860	4	Screw, Cap	11	0423-073	1	Washer
2	0405-035	4	Cap, Steering Adjuster	12	8409-020	1	Screw, Cap
3	0423-505	2	Screw, Shoulder	13	0505-408	2	Tie Rod - Assembly (inc. 14-18)
4	0405-166	1	Cap, Housing	14	0405-083	2	∅ Ball Joint, Tie Rod - Left
5	0405-138	1	Housing, Lower	15	0423-013	2	∅ Nut - Left
6	0405-139	1	Housing, Upper	16	0405-107	2	∅ Tie Rod
7	0505-451	1	Post, Steering	17	8420-002	2	∅ Nut - Right
8	8408-816	2	Screw, Cap	18	0405-082	2	∅ Ball Joint, Tie Rod - Right
9	0602-233	1	Flange, Bearing	19	0423-157	4	Nut, Top Lock
10	0405-052	1	Bearing w/Inverted Oil Seal	20	0623-175	4	Pin, Cotter



HANDLEBAR ASSEMBLY

0739-822

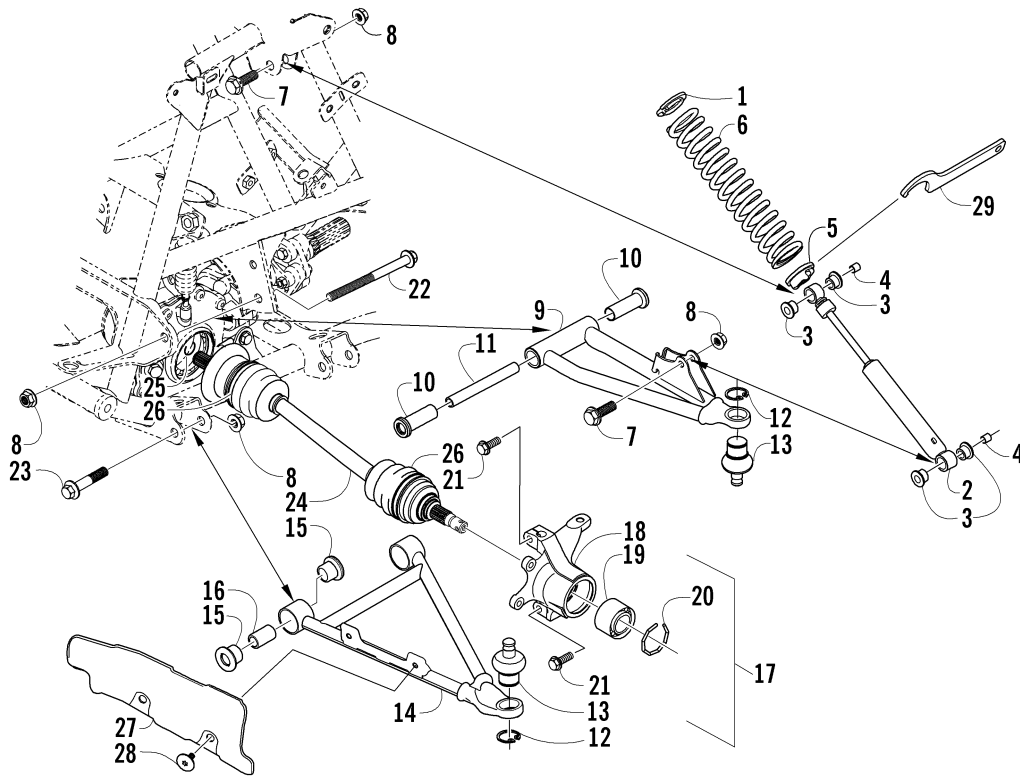
Ref.	Part No.	Qty.	Description	Ref.	Part No.	Qty.	Description
1	0505-448	1	Tube, Handlebar	0405-163	4	Instrument Pod (Cat Green)	
2	0405-148	2	Plug, Handlebar	AC005-027	1	Pod Speedo Assy. Red	
3	0405-149	2	End Cap, Handlebar	AC005-028	1	Pod Speedo Assy. Green	
4	8050-247	2	Washer	AC005-029	1	Pod Speedo Assy. Lime Green	
5	8477-845	2	Screw, Machine	AC003-151	2	Control Indicator	
6	0405-147	2	Grip, Handlebar	AC003-014	1	Control Light Blue	
7	0409-013	1	Cover, Key	12	0623-362	2	Rivet, Reinstallable
8	0430-036	1	Switch, Ignition - Assembly (inc. 9)	13	0420-048	1	Gauge, Digital
9	3409-007	1	ø Key, Ignition - Blank (C Series)	14	8424-502	1	Nut, Flange
	3409-011	1	ø Key, Ignition - Blank (D Series)	15	0423-447	3	Grommet
	3409-012	1	ø Key, Ignition - Blank (E Series)	16	0624-466	2	Retainer, Push-On
	3409-013	1	ø Key, Ignition - Blank (F Series)	17	0706-371	AR	Trim
10	1506-428	1	Bracket, Mounting - Instrument Pod	18	0502-527	1	Control, Differential Lock (inc. 19)
11	0405-142	4	Instrument Pod	19	0502-613	1	ø Clamp, Differential Lock Control - Kit
	0405-162	4	Instrument Pod (Green)	20	0487-030	1	Cable, Differential Lock



THROTTLE CASE AND CONTROL SWITCH ASSEMBLIES

0739-893

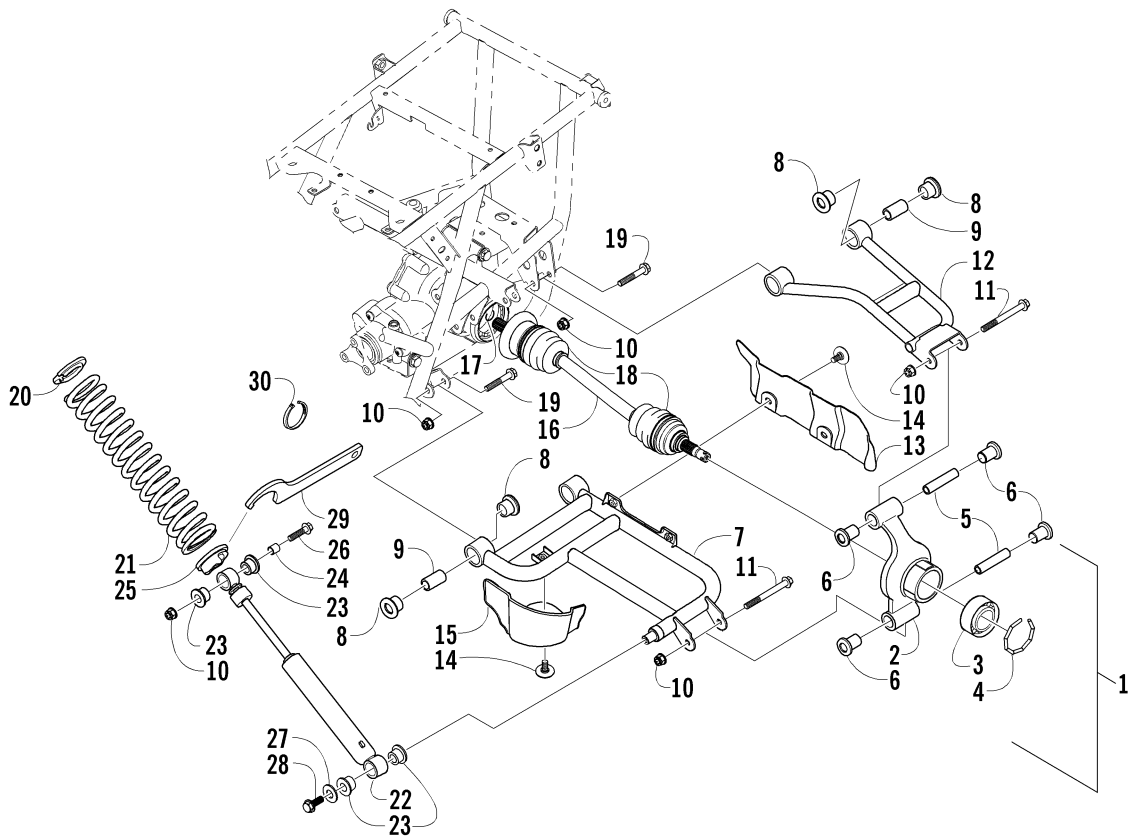
Ref.	Part No.	Qty.	Description	Ref.	Part No.	Qty.	Description
1	0509-012	1	Case, Throttle - Assembly (inc. 2-9)	10	0487-032	1	Cable, Throttle
2	0409-048	1	ø Cover, Throttle Case w/Switch	11	0409-022	4	Switch, Control - Assembly (inc. 12-15)
3	3004-533	1	ø Screw, Cap	12	0409-026	4	ø Cover, Choke Lever
4	3004-447	1	ø Washer, Lock	13	0409-025	4	ø Lever, Choke
5	3003-030	1	ø Washer	14	0409-028	4	ø Screw
6	3423-327	1	ø Nut	15	0409-027	4	ø Screw, Cap
7	3423-014	1	ø Screw	16	0487-033	1	Cable, Choke
8	3409-001	1	ø Lever	17	AC003-018	1	Switch Combined
9	3423-199	2	ø Screw				



FRONT SUSPENSION ASSEMBLY

0739-603 *Not a Service Part

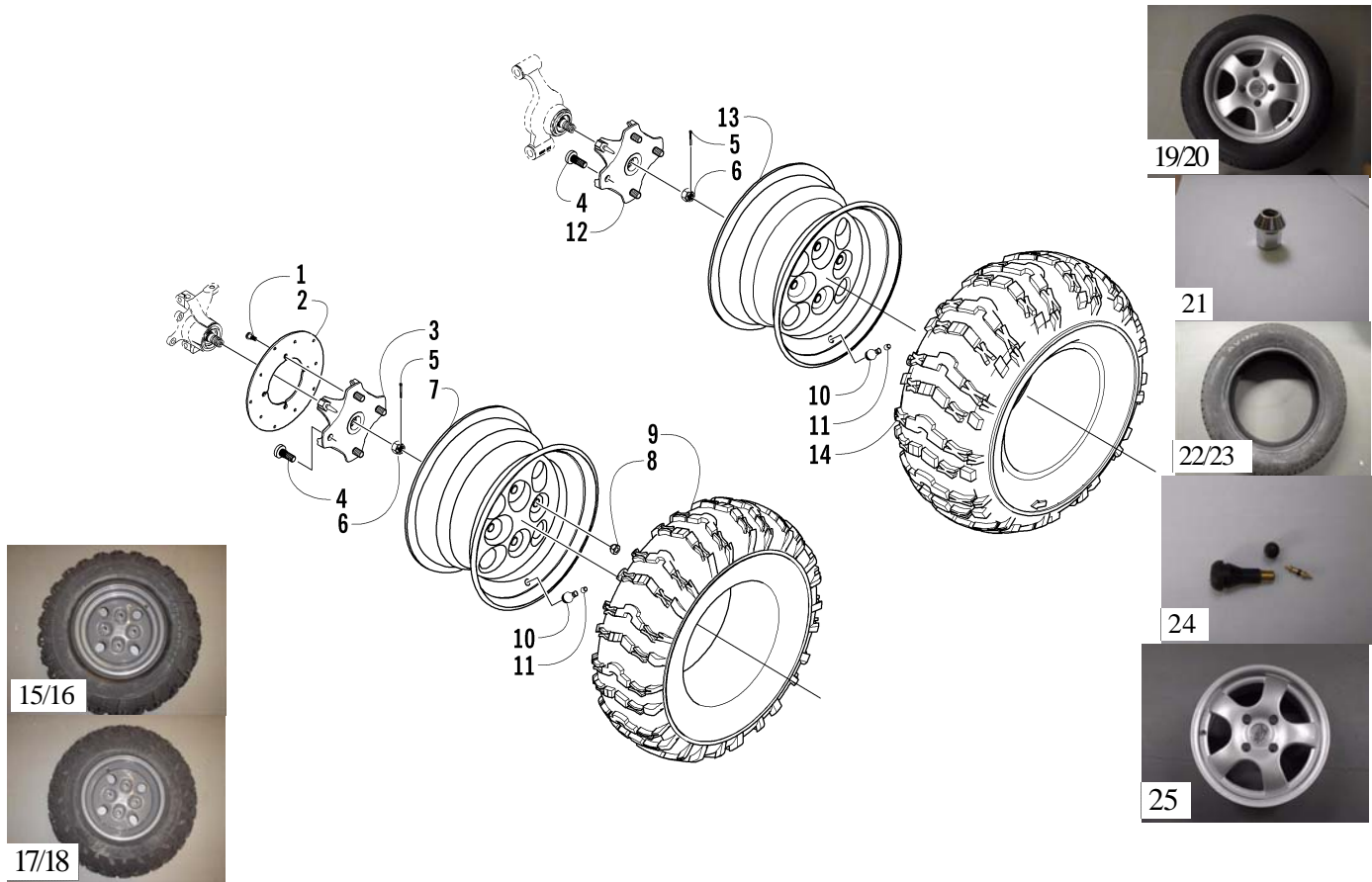
Ref.	Part No.	Qty.	Description	Ref.	Part No.	Qty.	Description
1	1603-889	2	Retainer, Spring	15	0403-115	8	∅ Bushing
2	0403-127	2	Shock Absorber - Front (inc. 3-4)	16	0403-114	4	∅ Collar
3	0604-310	8	∅ Bushing, Shock Absorber	17	0505-446	1	Knuckle - Assembly - Right (inc. 18-20)
4	0403-028	4	∅ Sleeve, Shock	17	0505-447	1	Knuckle - Assembly - Left (inc. 18-20)
5	0403-102	2	Cam, Spring Adjuster	18	*	1	∅ Knuckle, Steering - Right
6	0403-129	2	Spring, Shock Absorber - Platinum	18	*	1	∅ Knuckle, Steering - Left
	0403-128	2	Spring, Shock Absorber - Black (Green)	19	1402-027	2	∅ Bearing, Wheel Hub
7	8409-040	4	Screw, Cap	20	0423-423	2	∅ Ring, Retaining
8	8428-002	10	Nut, Lock	21	8409-030	4	Screw, Cap
9	0503-272	1	A-Arm, Upper Right - Platinum (inc. 10-13)	22	0423-334	2	Screw, Cap
	0503-273	1	A-Arm, Upper Left - Platinum (inc. 10-13)	23	8409-075	4	Screw, Cap
	0503-196	1	A-Arm, Upper Right - Black (inc. 10-13) (Green)	24	0502-542	1	Axle, Drive - Front - Right (inc. 25-26)
	0503-197	1	A-Arm, Upper Left - Black (inc. 10-13) (Green)	24	0502-547	1	Axle, Drive - Front - Left (inc. 25-26)
10	0403-081	4	∅ Bushing	25	0441-400	2	∅ Clip, Retaining
11	0403-080	2	∅ Collar	26	0436-276	2	∅ Repair Kit, Boot - Front Axle
12	0423-009	4	∅ Clip, Ball Joint	27	0441-752	1	Guard, Boot - Axle - Right
13	0405-115	4	∅ Ball Joint - Front		0441-753	1	Guard, Boot - Axle - Left
14	0503-268	1	A-Arm, Lower Right - Platinum (inc. 12-13 and 15-16)		1441-002	1	Guard, Boot - Axle - Right (Green)
	0503-269	1	A-Arm, Lower Left - Platinum (inc. 12-13 and 15-16)		1441-003	1	Guard, Boot - Axle - Left (Green)
	0503-220	1	A-Arm, Lower Right - Black (inc. 12-13 and 15-16) (Green)		0441-756	1	Guard, Boot - Axle - Right (Cat Green)
	0503-221	1	A-Arm, Lower Left - Black (inc. 12-13 and 15-16) (Green)		0441-757	1	Guard, Boot - Axle - Left (Cat Green)
				28	0423-101	4	Screw, Body
				29	0441-587	1	Wrench, Spanner



REAR SUSPENSION ASSEMBLY

0740-276 *Not a Service Part

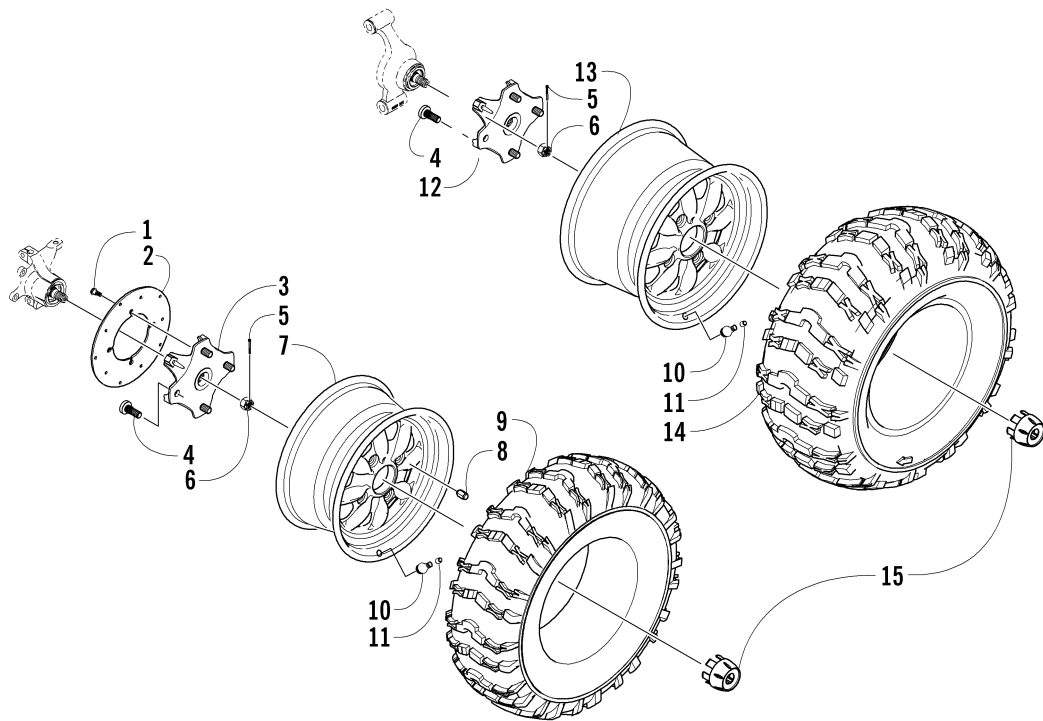
Ref.	Part No.	Qty.	Description	Ref.	Part No.	Qty.	Description
1	<u>0504-372</u>	1	Knuckle, Right Rear - Assembly (inc. 2-6)	13	<u>0441-754</u>	1	Guard, Boot - Right
	<u>0504-373</u>	1	Knuckle, Left Rear - Assembly (inc. 2-6)		<u>0441-755</u>	1	Guard, Boot - Left
2	*	1	ø Knuckle - Right		<u>1441-004</u>	1	Guard, Boot - Right (Green)
	*	1	ø Knuckle - Left		<u>1441-005</u>	1	Guard, Boot - Left (Green)
3	1402-027	2	ø Bearing, Wheel Hub		<u>0441-758</u>	1	Guard, Boot - Right (Cat Green)
4	0423-423	2	ø Ring, Retaining		<u>0441-759</u>	1	Guard, Boot - Left (Cat Green)
5	0403-038	4	ø Collar, Suspension Bushing	14	0423-101	6	Screw, Body
6	0403-032	8	ø Bushing, Suspension	15	1406-071	1	Guard, Boot - Right
7	<u>0504-326</u>	1	A-Arm, Rear - Lower Right - Platinum (inc. 8-9)	15	1406-072	1	Guard, Boot - Left
	<u>0504-327</u>	1	A-Arm, Rear - Lower Left - Platinum (inc. 8-9)	16	<u>0502-596</u>	2	Axle, Drive (inc. 17-18)
	0504-320	1	A-Arm, Rear - Lower Right - Black (inc. 8-9) (Green)	17	0441-400	2	ø Clip, Retaining
	0504-321	1	A-Arm, Rear - Lower Left - Black (inc. 8-9) (Green)	18	0436-276	2	ø Repair Kit, Boot - Rear Axle
8	0403-115	16	ø Bushing	19	8409-075	8	Screw, Cap
9	0403-114	8	ø Collar	20	1603-889	2	Retainer, Spring
10	8428-002	14	Nut, Lock	21	0404-074	2	Spring, Suspension - Platinum
11	8409-000	4	Screw, Cap		0404-065	2	Spring, Suspension - Black (Green)
12	<u>0504-330</u>	1	A-Arm, Rear - Upper Right - Platinum (inc. 8-9)	22	0404-077	2	Shock Absorber - Rear (inc. 23-24)
	<u>0504-331</u>	1	A-Arm, Rear - Upper Left - Platinum (inc. 8-9)	23	0604-310	8	ø Bushing, Shock Absorber
	0504-318	1	A-Arm, Rear - Upper Right - Black (inc. 8-9) (Green)	24	0403-028	2	ø Sleeve, Shock Absorber
	0504-319	1	A-Arm, Rear - Upper Left - Black (inc. 8-9) (Green)	25	0404-057	2	Cam, Spring Adjuster
				26	8409-040	2	Screw, Cap
				27	0423-087	2	Washer
				28	8408-820	2	Screw, Cap
				29	0441-587	1	Wrench, Spanner
				30	0123-788	2	Cable Tie



WHEEL AND TIRE ASSEMBLY

0739-534

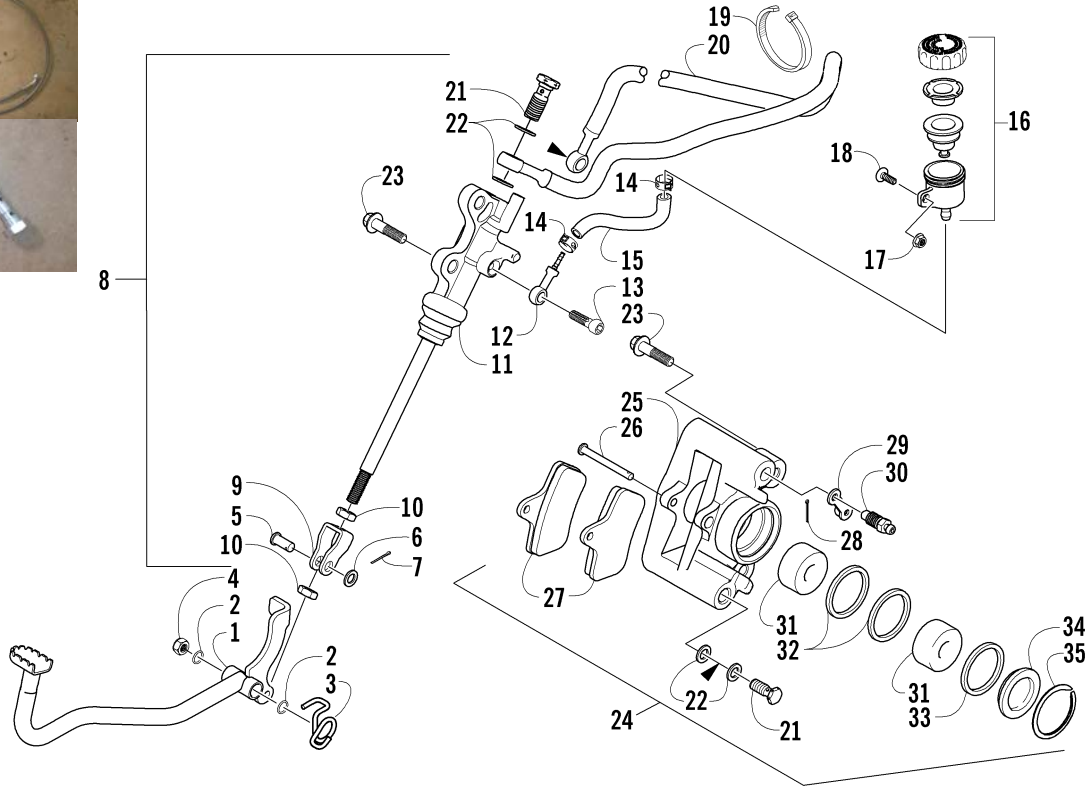
Ref.	Part No.	Qty.	Description	Ref.	Part No.	Qty.	Description
1	0423-029	12	Screw, Machine	14	0402-858	2	Wheel - Rear - Gray (Green)
2	1402-225	3	Disc, Brake	15	1402-202	2	Tire - Rear
3	0502-599	2	Hub, Wheel - Front (inc. 4)	16	0502-464	1	Wheel Assy. Gray RH 25x8-12
4	0402-974	16	∅ Stud, Wheel Hub	17	0502-465	1	Wheel Assy. Gray LH 25x8-12
5	0423-407	4	Pin, Cotter	18	0502-505	1	Wheel Assy. Gray RH 25x11-12
6	0423-394	4	Nut, Castle	19	0502-506	1	Wheel Assy. Gray LH 25x11-12
7	1402-127	2	Wheel - Front - Platinum	20	AC007-203	2	Wheel Assy. Onroad Front (inc. 22, 24, 25)
	0402-856	2	Wheel - Front - Gray (Green)	21	AC007-216	2	Wheel Assy. Onroad Rear (inc. 23-25)
8	0423-408	16	Nut, Mounting - Wheel	22	AC007-217	16	Nut, Aluminium Rim Silver
9	1402-201	2	Tire - Front	23	AC007-202	1	Road Tire 185/65-15
10	0402-064	4	Stem, Valve (inc. 11)	24	AC007-215	1	Road Tire 205/60-15
11	0402-140	4	∅ Cap, Valve Stem	25	AC007-209	1	Valve Wheel, Road Tire
12	0502-601	1	Hub, Wheel - Rear - Left (inc. 4)	26	AC007-221	1	Aluminium Rim Silver
	0502-599	1	Hub, Wheel - Rear - Right (inc. 4)				
13	1402-115	2	Wheel - Rear - Platinum				



WHEEL AND TIRE ASSEMBLY (LE)

0740-263R

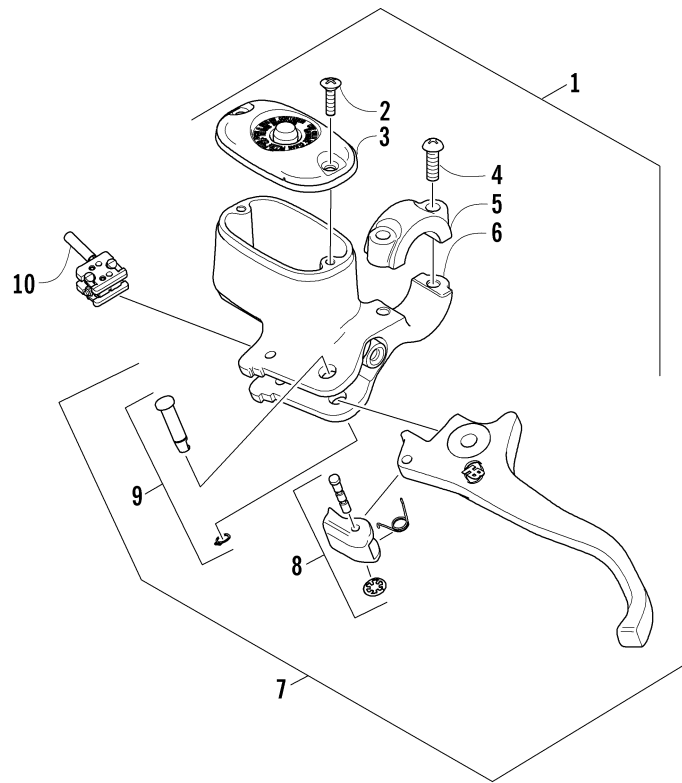
Ref.	Part No.	Qty.	Description	Ref.	Part No.	Qty.	Description
1	0423-029	12	Screw, Machine	8	1402-286	2	Wheel - Front - Spoked
2	1402-225	3	Disc, Brake		1402-287	2	Wheel - Rear - Spoked
3	0502-599	2	Hub, Wheel - Front (inc. 4)	9	1402-325	4	ø Cap, Wheel
4	0402-974	16	ø Stud, Wheel Hub	10	0423-556	16	Nut, Mounting - Wheel
5	0502-601	1	Hub, Wheel - Rear - Left (inc. 4)	11	1402-202	2	Tire
	0502-599	1	Hub, Wheel - Rear - Right (inc. 4)	12	0402-064	4	Stem, Valve (inc. 13)
6	0423-394	4	Nut, Castle	13	0402-140	4	ø Cap, Valve Stem
7	0423-407	4	Pin, Cotter				



AUXILIARY BRAKE ASSEMBLY

0739-792 *Not a Service Part

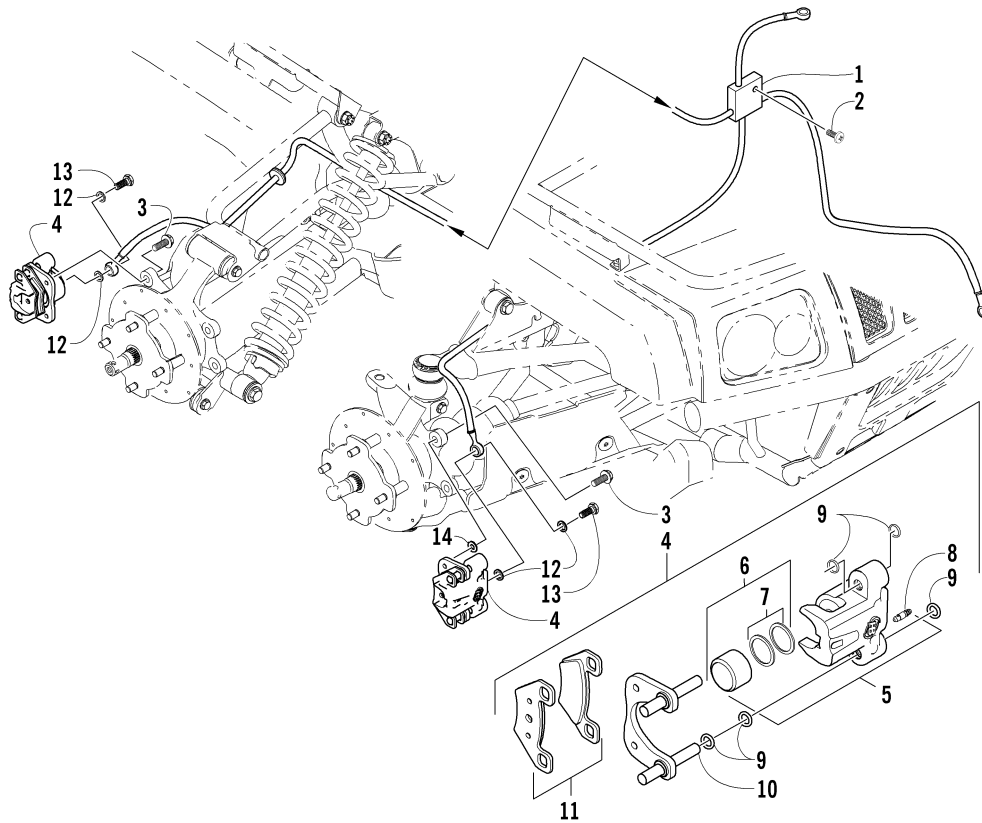
Ref.	Part No.	Qty.	Description	Ref.	Part No.	Qty.	Description
1	<u>0502-656</u>	1	Lever, Brake	20	1402-200	1	Hose, Brake
2	1602-213	2	O-Ring	21	0423-413	2	Bolt, Banjo Fitting
3	<u>0502-713</u>	1	Spring, Brake Lever	22	0423-178	4	Washer, Crush
4	8422-002	1	Nut	23	<u>8408-825</u>	2	Screw, Cap
5	0402-575	1	Pin, Clevis	24	<u>0502-457</u>	1	Caliper, Brake (inc. 25-35)
6	0402-583	1	Washer	25	*	1	∅ Housing, Caliper
7	0402-584	1	Pin, Cotter	26	0402-495	1	∅ Pin, Brake Caliper
8	<u>0502-665</u>	1	Brake Assembly (inc. 9-16)	27	<u>1402-126</u>	2	∅ Pad, Brake
9	0402-580	1	∅ Actuator, Push Rod	28	0423-495	1	∅ Pin, Cotter
10	0402-592	2	∅ Nut, Jam	29	0402-493	1	∅ Cap, Bleed Valve
11	*	1	∅ Master Cylinder	30	<u>1402-123</u>	1	∅ Valve, Bleed
12	<u>1402-277</u>	1	∅ Fitting, Banjo	31	<u>1402-125</u>	2	∅ Piston
13	<u>1402-278</u>	1	∅ Bolt, Banjo Fitting	32	0402-980	2	∅ O-Ring, Brake Caliper
14	<u>0423-525</u>	2	∅ Clamp, Hose	33	*	1	∅ O-Ring
15	<u>1402-266</u>	1	∅ Hose, Brake Reservoir	34	*	1	∅ Plug
16	<u>1402-257</u>	1	∅ Reservoir, Brake	35	*	1	∅ Ring, Retaining
17	<u>8424-602</u>	1	Nut, Flanged	36	AC002-252	1	Hose Brake 500/650
18	8476-616	1	Screw, Machine	37	AC002-254	1	Double Sealing Screw
19	0123-788	1	Cable Tie - 7.5 in.				



HYDRAULIC HAND BRAKE ASSEMBLY

0739-479

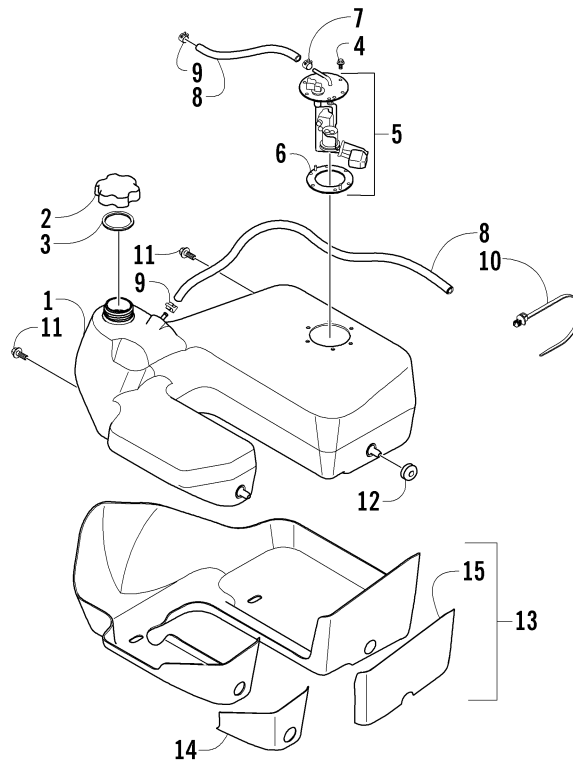
Ref.	Part No.	Qty.	Description	Ref.	Part No.	Qty.	Description
1	<u>0502-703</u>	1	Brake Assembly (inc. 2-10)	7	<u>0502-634</u>	1	ø Lever Assembly - Kit (inc. 8-9)
2	<u>0502-566</u>	1	ø Screw, Reservoir Cover - Kit	8	<u>0502-635</u>	1	ø ø Lock, Brake Lever - Kit
3	<u>0502-706</u>	1	ø Cover, Reservoir - Kit	9	<u>0502-580</u>	1	ø ø Lever Pin - Kit
4	<u>0502-568</u>	1	ø Screw, Master Cylinder Clamp - Kit	10	<u>0502-564</u>	1	ø Switch, Brake - Kit
5	<u>0502-705</u>	1	ø Clamp, Master Cylinder - Kit	11	AC002-032	1	Protection Ball, Lever Brake
6	<u>0502-704</u>	1	ø Master Cylinder Assembly - Kit				



HYDRAULIC BRAKE ASSEMBLY

0739-796

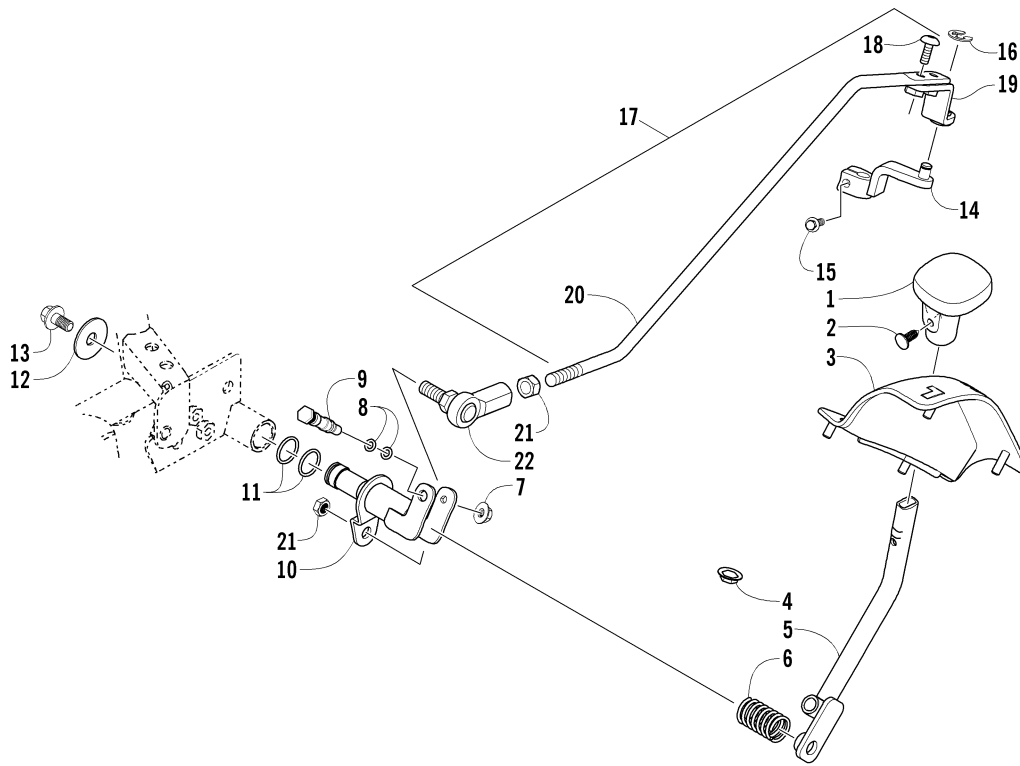
Ref.	Part No.	Qty.	Description	Ref.	Part No.	Qty.	Description
1	0502-627	1	Hose, Brake - Assembly	6	0502-606	3	∅ ∅ Piston/Seal Set (inc. 7)
2	8476-625	1	Screw, Cap	7	0502-607	3	∅ ∅ ∅ Seal Set
3	8408-820	6	Screw, Cap	8	0502-609	3	∅ ∅ Valve, Bleed
4	0502-602	1	Caliper, Brake - Right Front (inc. 5-11)	9	0502-608	3	∅ O-Ring, Guide - Set
	0502-610	2	Caliper, Brake - Left Front and Right Rear (inc. 5-11)	10	0502-605	3	∅ Bracket Assembly
5	0502-603	1	∅ Housing, Caliper - Assembly - Right Front (inc. 6-8)	11	0502-604	3	∅ Pad, Brake - Set
	0502-611	2	∅ Housing, Caliper - Assembly - Left Front and Right Rear (inc. 6-8)	12	0423-178	8	Washer, Crush
				13	0423-413	4	Bolt, Banjo Fitting
				14	0423-562	4	Spacer



GAS TANK ASSEMBLY

0740-278

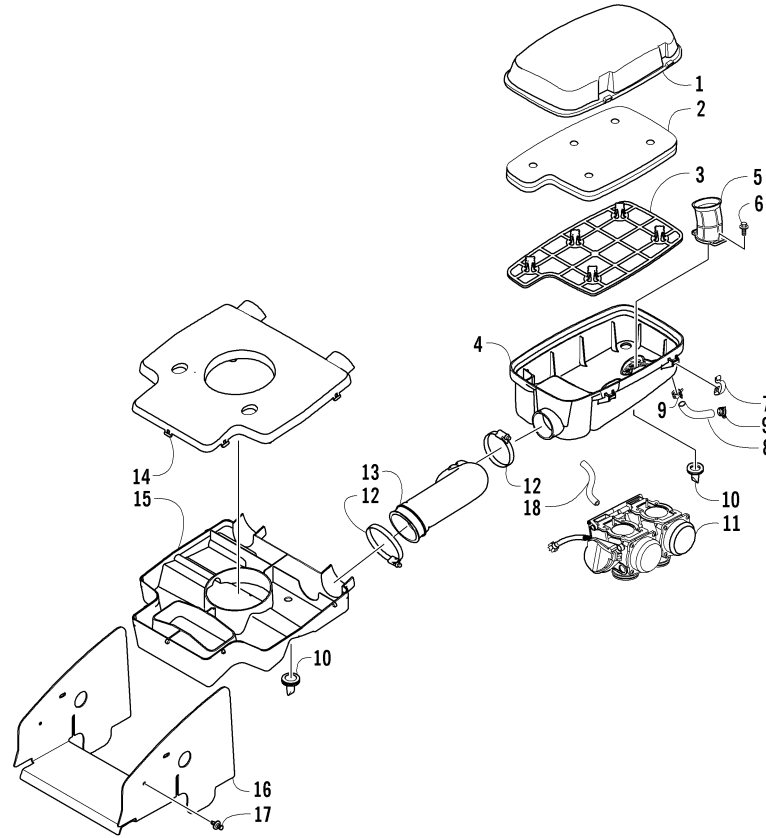
Ref.	Part No.	Qty.	Description	Ref.	Part No.	Qty.	Description
1	<u>0570-090</u>	1	Tank, Gas - Assembly (inc. 2-4 and 6)	9	0423-461	2	Clamp, Hose
2	0470-438	1	ø Cap, Gas Tank (inc. 3)	10	0423-075	1	Cable Tie - Push-Mount
3	0109-733	1	ø ø Gasket, Tank Cap	11	<u>8408-816</u>	2	Screw, Cap
4	3201-008	6	ø Screw, Cap	12	0423-460	2	Grommet
5	<u>3201-434</u>	1	Pump, Fuel (inc. 6)	13	0570-081	1	Shield, Gas Tank (inc. 14-15)
6	3201-009	1	ø Damper, Fuel Pump	14	0470-498	1	ø Shield, Heat
7	<u>1623-233</u>	1	Clamp, Hose	15	0470-499	1	ø Shield, Heat
8	0410-070	AR	Hose, Gasline - 25 ft				



REVERSE SHIFT LEVER ASSEMBLY

0739-824

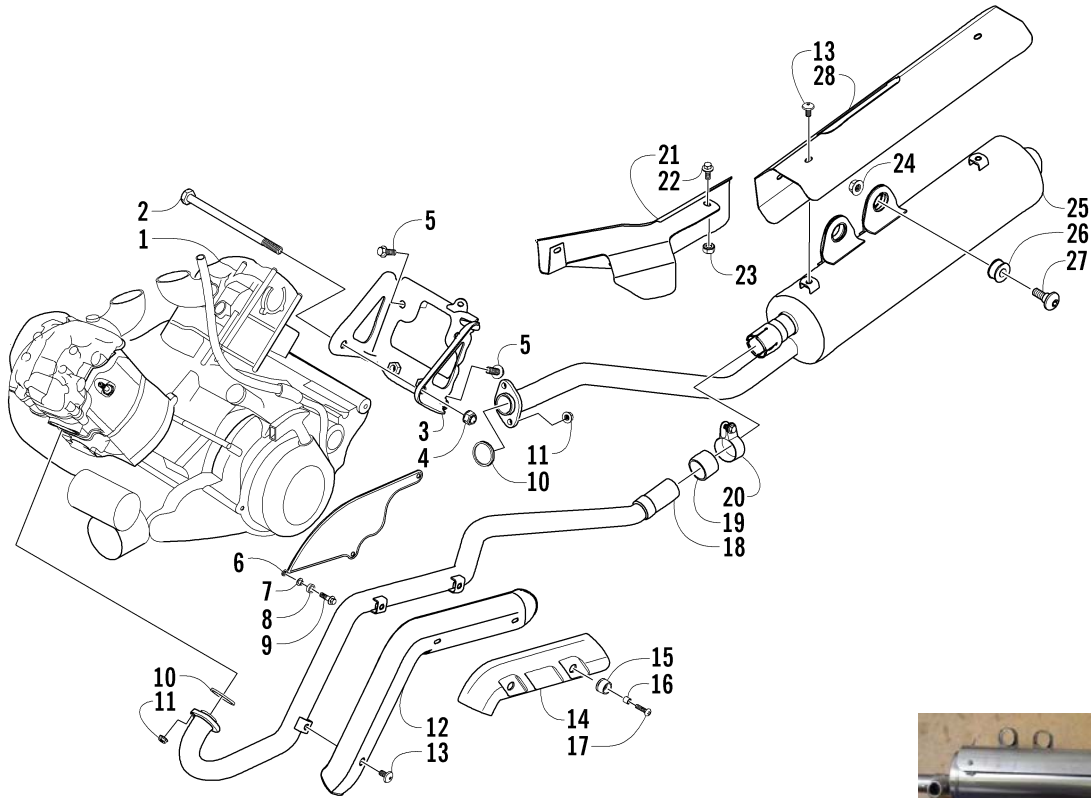
Ref.	Part No.	Qty.	Description	Ref.	Part No.	Qty.	Description
1	0402-843	1	Handle, Reverse Shift Lever	12	0423-087	1	Washer
2	0423-345	1	Clip, Push	13	8408-812	1	Screw, Cap
3	1402-110	1	Plate, Shift	14	0502-587	1	Arm, Reverse Shift
4	0423-357	4	Nut, Stamped	15	3201-037	1	Screw, Cap
5	0502-659	1	Lever, Reverse Shift	16	0423-169	1	E-Ring
6	0502-410	1	Spring, Reverse Shift Lever	17	0502-695	1	Linkage, Shift (inc. 18-20)
7	8424-602	1	Nut	18	8476-616	2	Ø Screw, Machine
8	0423-182	2	O-Ring	19	0502-636	1	Ø Arm, Shift Linkage
9	0402-675	1	Axle, Pivot	20	1402-260	1	Ø Rod, Shift Linkage
10	0502-742	1	Shaft, Shift	21	0623-294	2	Nut
11	0423-299	2	O-Ring	22	1402-270	1	End, Rod



AIR INTAKE ASSEMBLY

0739-825

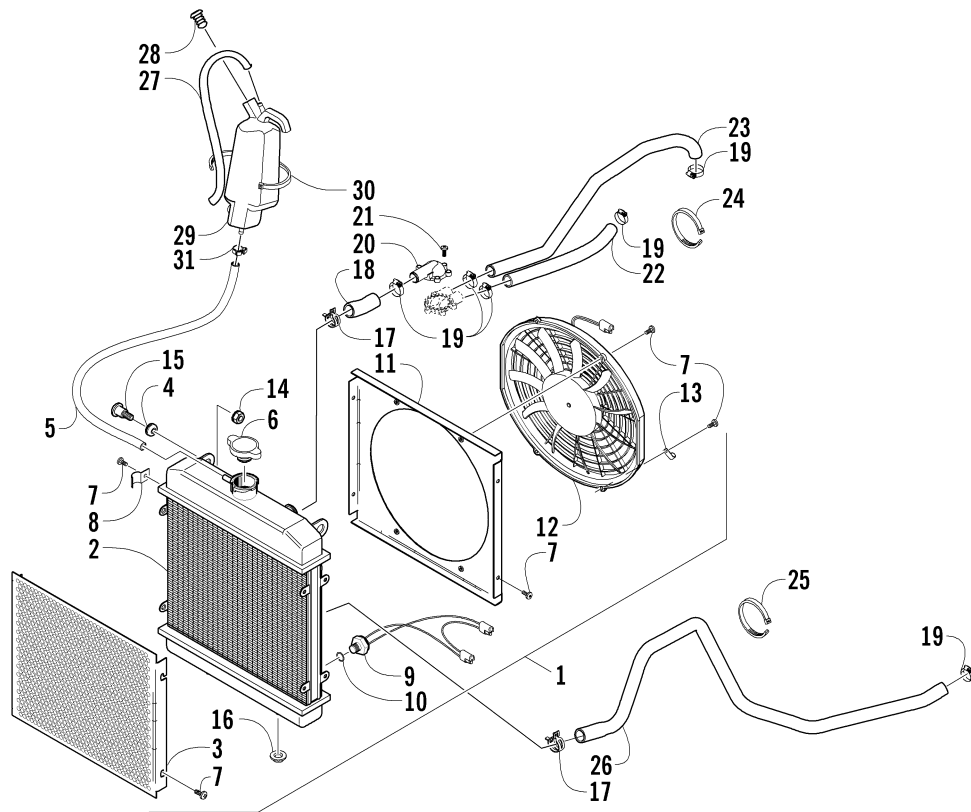
Ref.	Part No.	Qty.	Description	Ref.	Part No.	Qty.	Description
1	0470-554	1	Cover, Air Intake Housing	10	0470-442	2	Valve, Drain
2	0470-494	1	Filter, Air	11	0470-528	1	Carburetor (CA)
3	0470-493	1	Screen, Air Filter	12	0423-380	2	Clamp, Boot
4	0470-485	1	Housing, Air Intake	13	0470-529	1	Boot, Air Intake
5	3201-001	2	Duct, Air Funnel	14	0413-093	1	Diverter, Air - Top
6	3201-002	8	Screw, Cap	15	0413-091	1	Diverter, Air - Bottom
7	0423-455	4	Clip, Spring	16	1406-785	1	Shroud, Splash
8	0410-061	1	Hose, Crankcase Vent	17	0623-362	2	Rivet, Plastic
9	0623-941	2	Clamp, Hose	18	0510-592	1	Hose, Carburetor Drain



ENGINE AND EXHAUST

0739-921

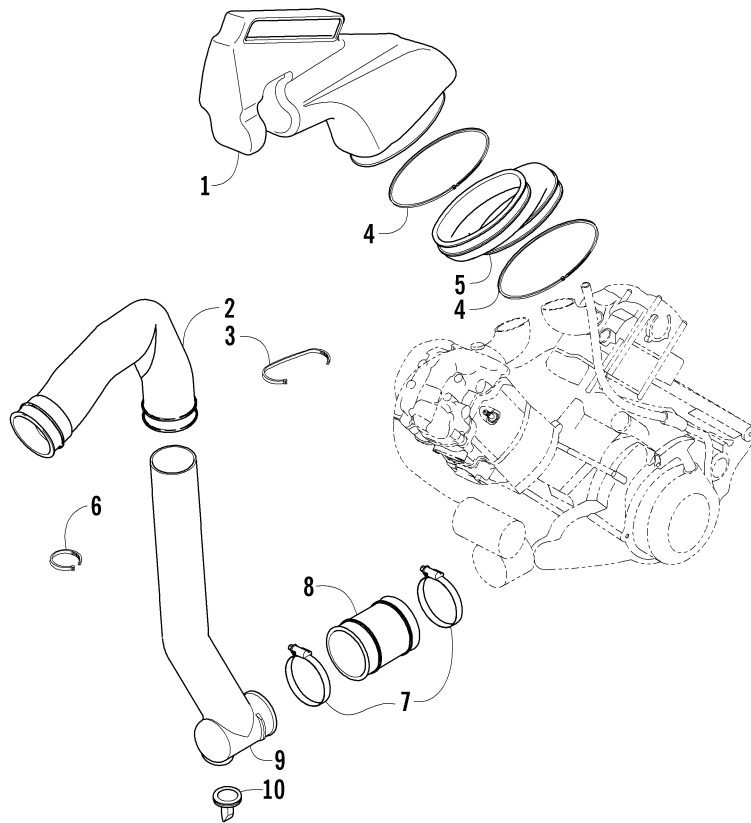
Ref.	Part No.	Qty.	Description	Ref.	Part No.	Qty.	Description
1	0462-032	1	Engine	16	0423-036	2	Collar
2	0423-479	2	Screw, Cap	17	8477-616	2	Screw, Machine
3	1506-314	1	Bracket, Engine	18	0512-152	1	Pipe, Exhaust
4	8424-202	2	Nut	19	0412-249	4	Seal, Exhaust
5	8409-020	4	Screw, Cap	20	3201-043	4	Clamp
6	1506-420	1	Plate, Heat Guard	21	0412-240	1	Cover Exhaust - Rear
7	3201-016	3	Collar	22	8476-616	3	Screw, Cap
8	3201-015	3	Damper	23	0623-038	3	Nut w/Washer
9	3201-017	3	Screw, Cap	24	8424-802	2	Nut, Lock
10	3201-013	2	Gasket, Exhaust	25	0512-155	4	Muffler
11	3201-018	4	Nut	26	0412-253	2	Bushing, Muffler
12	0412-239	1	Cover, Exhaust - Front	27	0423-476	2	Screw, Shoulder
13	8477-610	5	Screw, Machine	28	0412-244	4	Cover, Muffler
14	1406-644	1	Cover, Exhaust Pipe	29	AC004-705	1	Exhaust ACE 5 Stainless Steel
15	0423-533	2	Grommet				



COOLING ASSEMBLY

0739-853

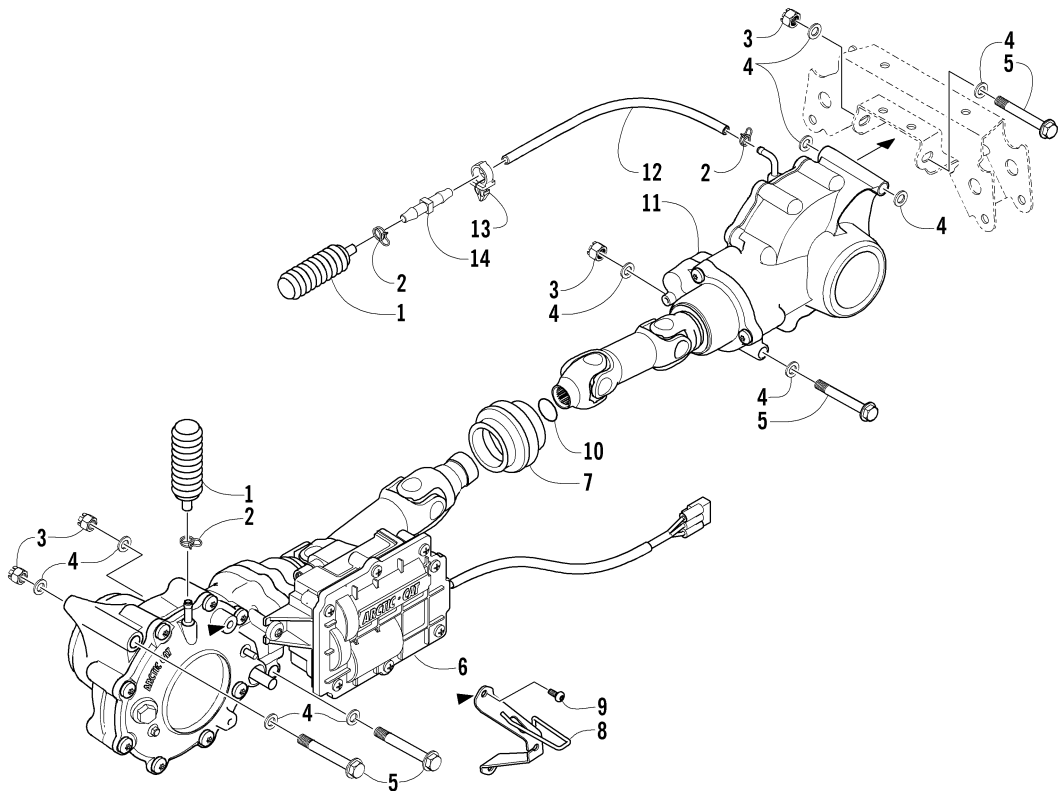
Ref.	Part No.	Qty.	Description	Ref.	Part No.	Qty.	Description
1	0413-117	1	Radiator Assembly (inc. 2-13)	16	0423-028	2	Bushing, Stem
2	0413-043	1	ø Radiator	17	0423-070	2	Clamp, Hose
3	0413-007	1	ø Screen, Radiator	18	0410-057	1	Hose, Coolant - Front
4	0423-030	2	ø Grommet	19	1623-091	6	Clamp, Hose
5	0610-016	AR	ø Hose - 25 ft	20	0413-077	1	Housing, Thermostat
	0610-015	AR	ø Hose - 100 ft	21	3201-036	4	Screw, Cap
6	0413-002	1	ø Cap, Radiator	22	0410-059	1	Hose, Coolant - Left
7	8475-512	12	ø Screw, Machine	23	0410-058	1	Hose, Coolant - Right
8	0423-351	1	ø Clamp, Wire	24	0123-788	AR	Cable Tie - 7.5 in.
9	0413-045	1	ø Sender, Temperature - Coolant	25	0123-903	1	Cable Tie - 11.5 in.
10	0423-390	1	ø O-Ring	26	0410-060	1	Hose, Coolant - Lower
11	0413-046	1	ø Shroud, Fan	27	6101-009	AR	Hose, Vent - 50 ft
12	0413-044	1	ø Fan, Cooling	28	0413-087	1	Stopper, Coolant Bottle
13	0123-397	1	ø Clamp, Cable	29	0413-086	1	Bottle, Coolant Overflow
14	0623-038	2	Nut w/Washer	30	0623-316	1	Cable Tie - Single Loop
15	0423-484	2	Screw, Shoulder	31	0124-045	1	Clamp, Hose



CASE/BELT COOLING ASSEMBLY

0739-856

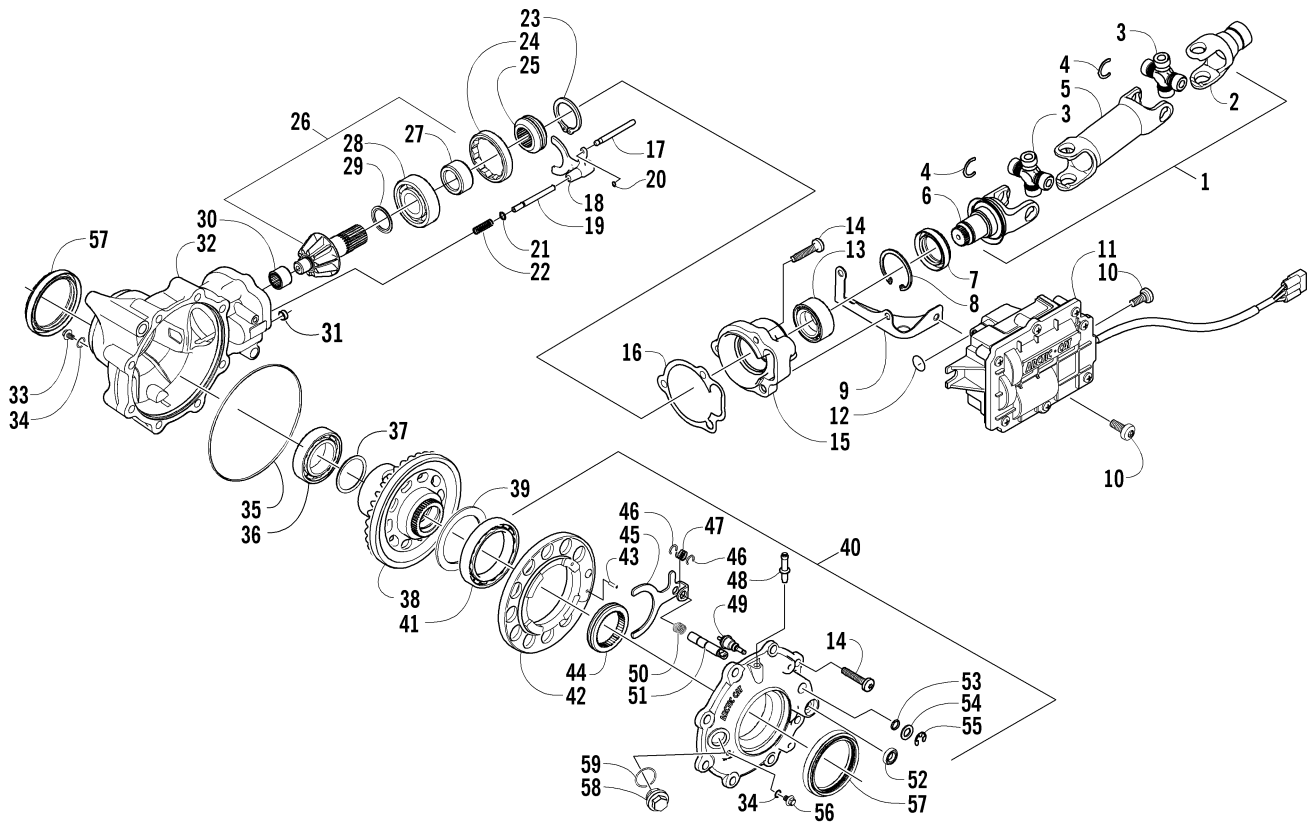
Ref.	Part No.	Qty.	Description	Ref.	Part No.	Qty.	Description
1	0413-112	1	Duct, Air-Out	6	0123-788	2	Cable Tie - 7.5 in.
2	0413-092	1	Boot, Air-In	7	0423-380	4	Clamp, Boot
3	0123-903	1	Cable Tie - 11.5 in.	8	0413-085	1	Boot, Air-In Duct
4	3201-038	2	Clamp, Boot	9	0513-010	1	Duct, Air-In
5	0413-083	1	Boot, Air-Out Duct	10	0470-442	1	Valve, Drain



DRIVE TRAIN ASSEMBLY

0740-280

Ref.	Part No.	Qty.	Description	Ref.	Part No.	Qty.	Description
1	0402-147	2	Bladder, Gearcase	8	0502-500	1	Plate, Cable
2	0423-315	4	Clamp, Fitting	9	0423-396	2	Screw, Self-Tapping
3	8428-002	4	Nut, Lock	10	1402-203	1	O-Ring
4	0423-426	10	Washer	11	0502-616	1	Gearcase, Rear
5	0423-404	4	Screw, Cap	12	0410-049	AR	Hose, Vent
6	0502-615	1	Gearcase, Front	13	0623-101	1	Clip, Routing - Snap-In
7	0402-967	1	Boot, Shaft	14	0470-462	1	Fitting, Vent

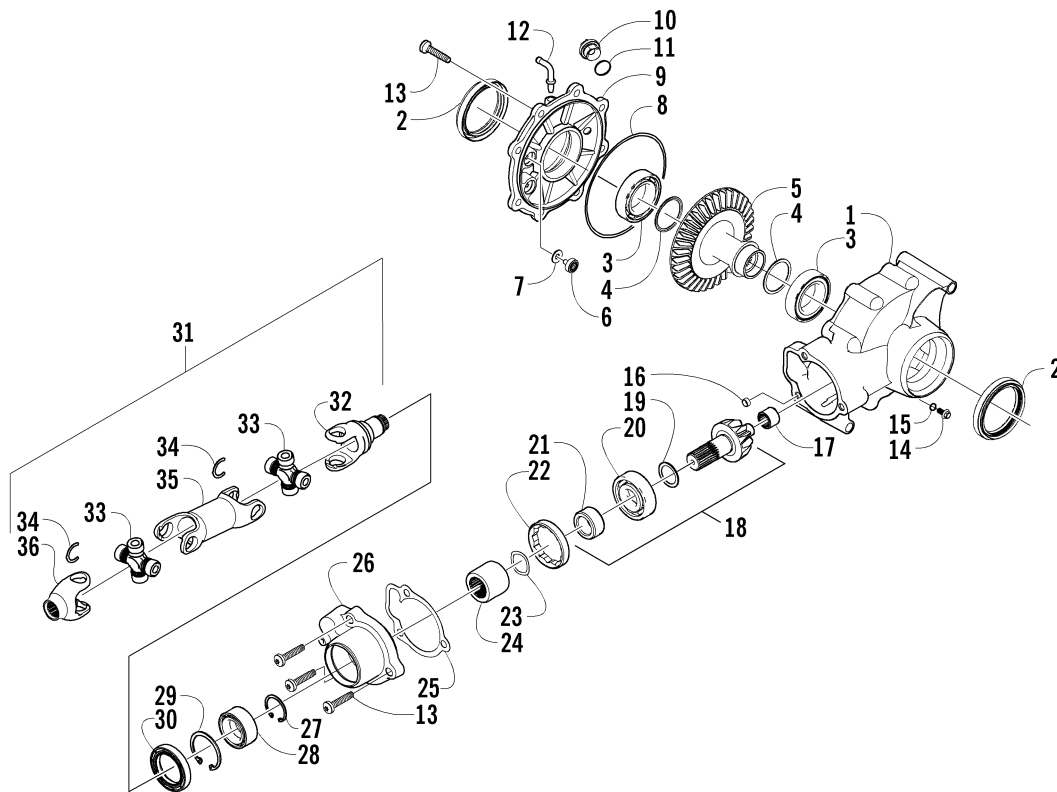


FRONT DRIVE GEARCASE ASSEMBLY

(Complete Assembly p/n 0502-615)

0739-858

Ref.	Part No.	Qty.	Description	Ref.	Part No.	Qty.	Description
1	0502-381	1	Driveshaft Assembly (inc. 2-6)	33	1402-210	1	Plug, Magnetic (inc. one No. 34)
2	0502-521	1	ø Yoke, Front	34	0423-153	2	ø O-Ring
3	1402-164	2	ø Joint, Universal (inc. 4)	35	0423-149	1	O-Ring
4	0423-450	8	ø ø Ring, Retaining	36	0402-393	1	Bearing
5	0502-524	1	ø Driveshaft	37	0402-405	AR	Shim
6	0502-517	1	ø Yoke, Front Slip		0402-406	AR	Shim
7	1402-011	1	Seal		0402-407	AR	Shim
8	0423-423	1	Ring, Retaining		0402-408	AR	Shim
9	0502-347	1	Bracket, Actuator		0402-409	AR	Shim
10	0423-396	3	Screw, Self-Tapping	38	0502-411	1	Gear, Ring - 36T
11	0502-579	1	Actuator (inc. 12)	39	1402-074	AR	Shim
12	0423-498	1	ø O-Ring		1402-075	AR	Shim
13	1402-043	1	Bearing		1402-076	AR	Shim
14	0423-118	11	Screw, Self-Tapping		1402-077	AR	Shim
15	0502-528	1	Housing, Pinion		1402-078	AR	Shim
16	0402-947	1	Gasket, Flange	40	0502-434	1	Cover, Gearcase (inc. one No. 34, 41-56, and one No. 57)
17	0402-997	1	Shaft, Selector	41	1402-053	1	ø Bearing
18	0402-998	1	Fork, Selector	42	0502-413	1	ø Flange, Bearing
19	0402-417	1	Shaft, Shuttle	43	1402-079	1	ø Pin, Parallel
20	0423-402	1	Ring, Retaining	44	1402-042	1	ø Collar, Sliding
21	0423-147	1	O-Ring	45	1402-054	1	ø Fork
22	0402-999	1	Spring, Return	46	1402-058	2	ø Ring, Retaining
23	0423-417	1	Ring, Retaining	47	1402-057	1	ø Spring
24	0402-357	1	Collar, Lock	48	1402-104	1	ø Fitting
25	0402-413	1	Coupler, Drive	49	0402-419	1	ø Switch, Indicator
26	0502-123	1	Gear, Pinion - Assembly - 10T (inc. 27-29)	50	1402-063	1	ø Spring
27	0402-336	1	ø Collar, Retaining	51	1402-055	1	ø Shaft, Lock
28	0402-327	1	ø Bearing	52	1402-056	1	ø Seal
29	0402-424	AR	ø Shim	53	0423-133	1	ø O-Ring
	0402-425	AR	ø Shim	54	0423-132	1	ø Washer
	0402-426	AR	ø Shim	55	0423-424	1	ø Ring, Retaining
	0402-427	AR	ø Shim	56	1402-211	1	ø Plug, Oil Level (inc. one No. 34)
	0402-428	AR	ø Shim	57	0402-394	2	ø Seal
30	0402-328	1	Bearing	58	0402-333	1	Plug, Fill (inc. 59)
31	0402-411	1	Pin, Dowel	59	0423-154	1	ø O-Ring
32	0502-514	1	Housing, Gearcase				



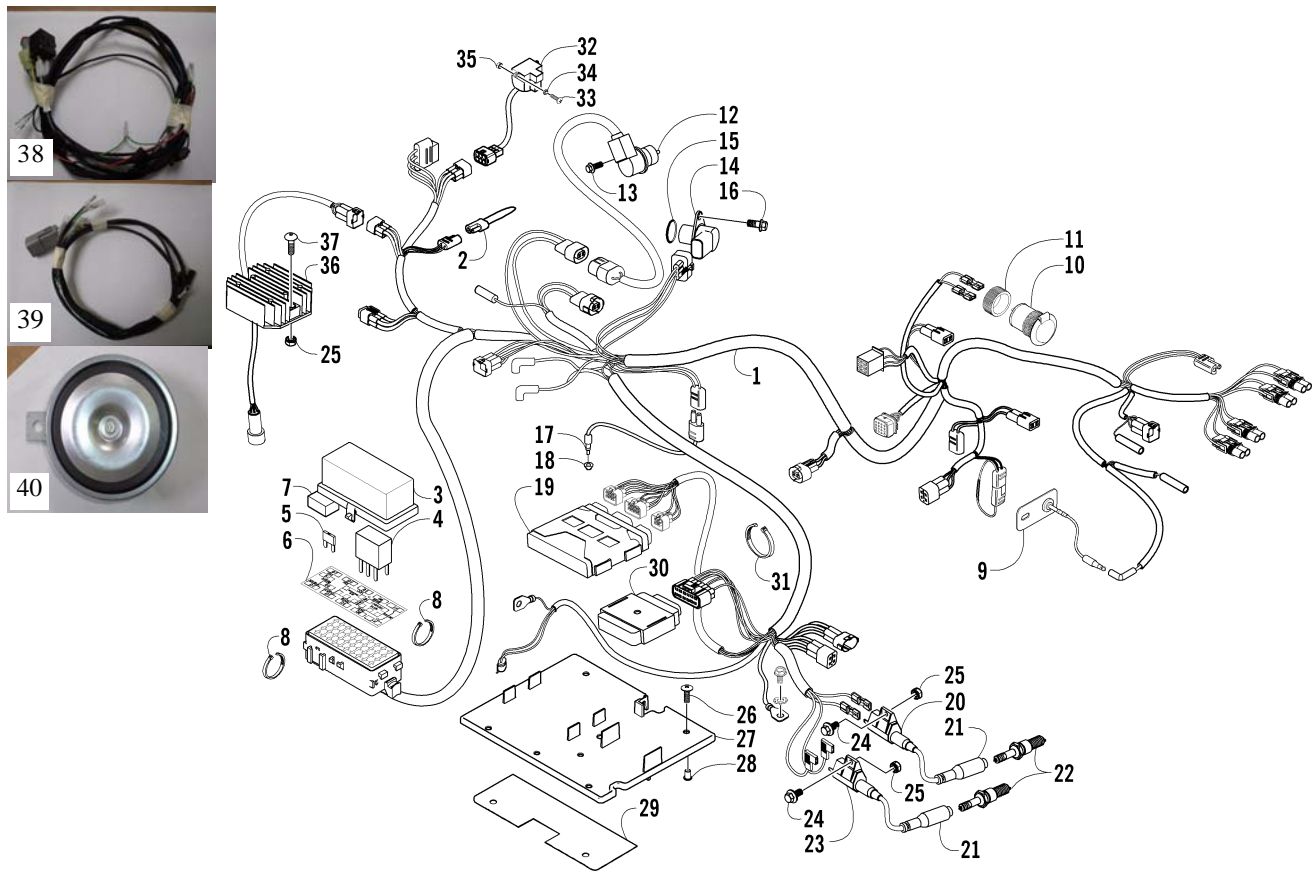
REAR DRIVE GEARCASE ASSEMBLY

(Complete Assembly p/n 0502-616)

0739-859

Ref.	Part No.	Qty.	Description	Ref.	Part No.	Qty.	Description
1	0502-622	1	Housing, Gearcase	17	0402-328	1	Bearing
2	0402-394	2	Seal	18	0502-123	1	Gear, Pinion - Assembly - 10T (inc. 19-21)
3	0402-393	2	Bearing	19	0402-424	AR	∅ Shim
4	0402-405	AR	Shim		0402-425	AR	∅ Shim
	0402-406	AR	Shim		0402-426	AR	∅ Shim
	0402-407	AR	Shim		0402-427	AR	∅ Shim
	0402-408	AR	Shim		0402-428	AR	∅ Shim
	0402-409	AR	Shim	20	0402-327	1	∅ Bearing
5	1402-032	1	Gear, Ring - 36T	21	0402-336	1	∅ Collar, Retaining
6	0402-326	1	Button, Thrust	22	0402-331	1	Collar, Lock
7	0402-429	AR	Shim	23	0402-982	1	Washer, Wave
	0402-430	AR	Shim	24	0402-981	1	Collar, Shaft
	0402-431	AR	Shim	25	0402-947	1	Gasket, Flange
	0402-432	AR	Shim	26	0502-529	1	Housing, Pinion
	0402-433	AR	Shim	27	0423-417	1	Ring, Retaining
8	0423-149	1	O-Ring	28	1402-043	1	Bearing
9	0502-346	1	Cover, Gearcase	29	0423-423	1	Ring, Retaining
10	0402-333	1	Plug, Fill (inc. 11)	30	1402-011	1	Seal
11	0423-154	1	∅ O-Ring	31	0502-382	1	Driveshaft Assembly (inc. 32-36)
12	1402-102	1	Fitting	32	0502-518	1	∅ Yoke, Rear
13	0423-118	11	Screw, Self-Tapping	33	0402-944	2	∅ Joint, Universal (inc. 34)
14	1402-210	1	Plug, Magnetic (inc. 15)	34	0423-395	8	∅ ∅ Ring, Retaining
15	0423-153	1	∅ O-Ring	35	0502-525	1	∅ Driveshaft
16	0402-411	1	Pin, Dowel	36	0502-522	1	∅ Yoke, Rear Slip

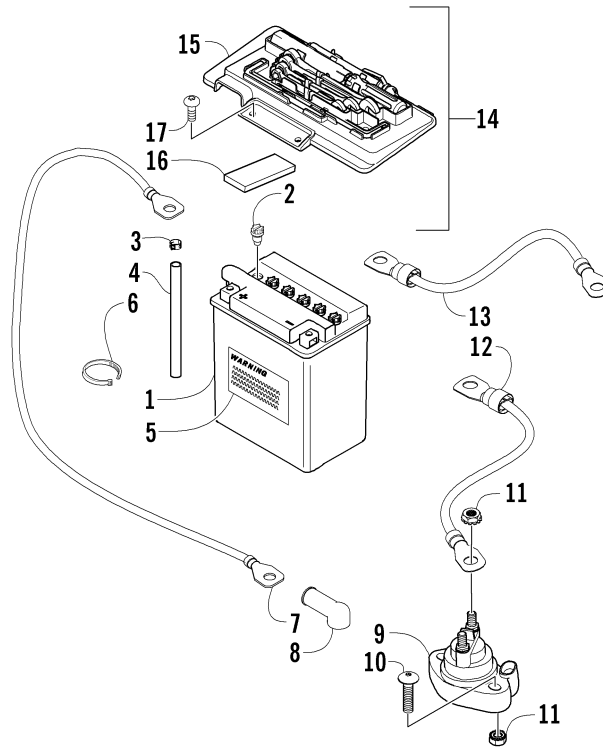
2006 ATV 650 V-Twin FIS Automatic Transmission



WIRING HARNESS ASSEMBLY

0740-275R

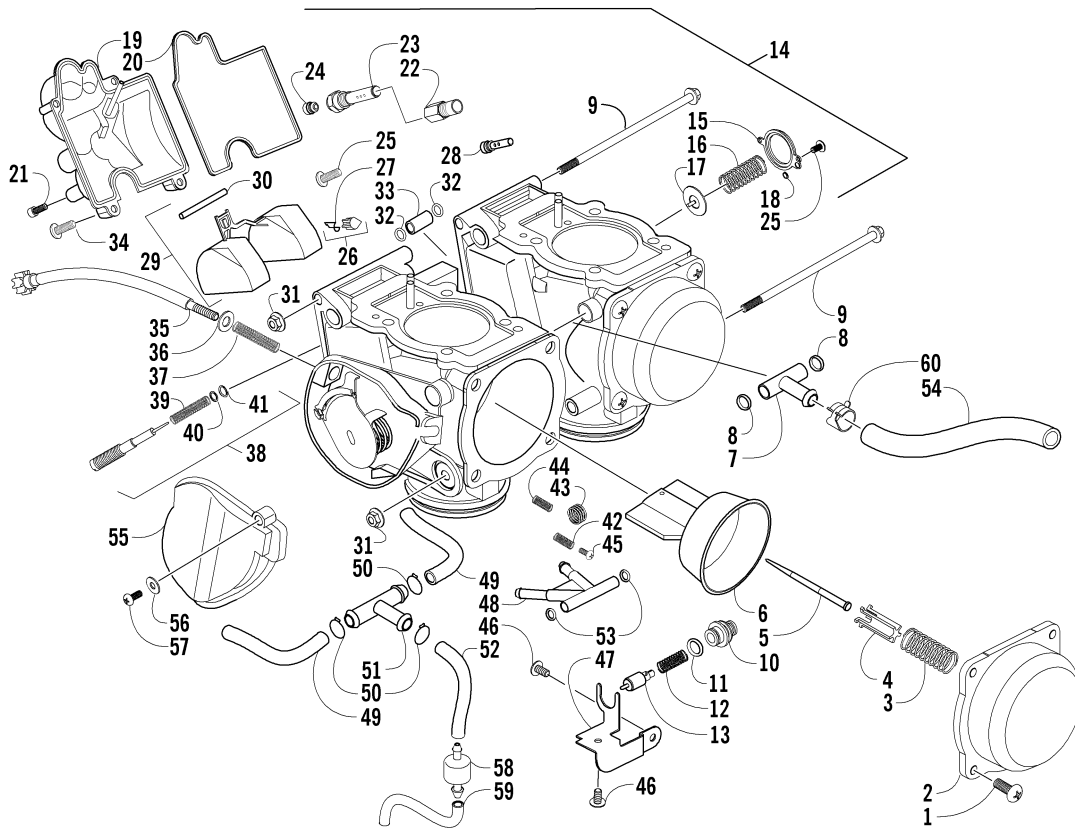
Ref.	Part No.	Qty.	Description	Ref.	Part No.	Qty.	Description
1	<u>0486-157</u>	1	Harness, Main (inc. 2-7 and two No. 8)	20	3201-010	1	Coil, Ignition - Front
2	<u>0486-164</u>	1	ø Tether, Accessory Connector	21	3201-012	2	Cap, Spark Plug
3	0530-008	1	ø Cover, Fuse Block	22	0217-708	2	Spark Plug (NGK CR7E)
4	0430-033	4	ø Relay	23	3201-011	1	Coil, Ignition - Rear
5	0430-032	5	ø Fuse - 10 Amp	24	8476-620	2	Screw, Cap
	0430-031	3	ø Fuse - 15 Amp	25	0623-038	4	Nut w/Washer
	0430-030	2	ø Fuse - 30 Amp	26	0623-121	4	Screw, Machine
6	<u>0411-903</u>	1	ø Decal, Fuse Block	27	<u>1406-697</u>	1	Tray, Electrical
7	0430-037	1	ø Holder, Fuse	28	0123-010	4	Nut, Expansion
8	0123-788	AR	ø Cable Tie - 7.5 in.	29	<u>0412-290</u>	1	Shield, Heat
9	0509-011	1	Diode Assembly	30	3201-040	1	Controller, Actuator
10	0445-022	1	Receptacle, 12V (inc. 11)	31	0123-903	4	Cable Tie - 11.5 in.
11	0445-034	1	ø Nut, Retainer	32	<u>0409-064</u>	1	Switch, Invert Sensor
12	3201-191	1	Sensor, Reverse	33	<u>8468-425</u>	2	Screw
13	3201-141	1	Screw, Cap	34	0123-802	2	Washer, Flat
14	3201-190	1	Sensor, Speed (inc. 15)	35	0423-493	2	Nut w/Washer
15	3201-343	1	ø O-Ring	36	0430-035	1	Regulator, Voltage
16	3201-036	1	Screw, Cap	37	8476-630	2	Screw, Machine^
17	0409-009	1	Switch, Brake - Assembly	38	AC003-223	1	Harness 2006
18	0402-991	1	Retainer, Switch	39	AC003-230	1	Harness Rear Light 2006
19	3201-039	1	CDI	40	AC003-158	1	Horn



BATTERY AND SOLENOID ASSEMBLY

0739-866 *Not Illustrated

Ref.	Part No.	Qty.	Description	Ref.	Part No.	Qty.	Description
1	0745-045	4	Battery Assembly (inc. 2-5)	11	0623-038	4	Nut w/Washer
2	0645-045	6	Cap, Battery	12	0445-041	1	Cable, Solenoid/Starter
3	0645-152	4	Clamp, Hose	13	0445-047	1	Cable, Battery/Ground
4	0645-263	4	Hose, Battery Vent	14	5990-839	1	Battery Cover/Tool Tray Assembly (inc. 15-16)
5	0645-154	4	Label, Warning - Battery	15	1406-507	1	Cover, Battery
6	0123-788	2	Cable Tie - 7.5 in.	16	0406-288	2	Pad, Battery
7	0445-046	1	Cable, Battery/Solenoid	*	0444-122	1	Kit, Tool
8	0645-327	1	Boot, Terminal	17	8476-616	2	Screw, Machine
9	0445-036	1	Solenoid	18	AC003-005	1	Battery
10	8476-625	2	Screw, Machine				

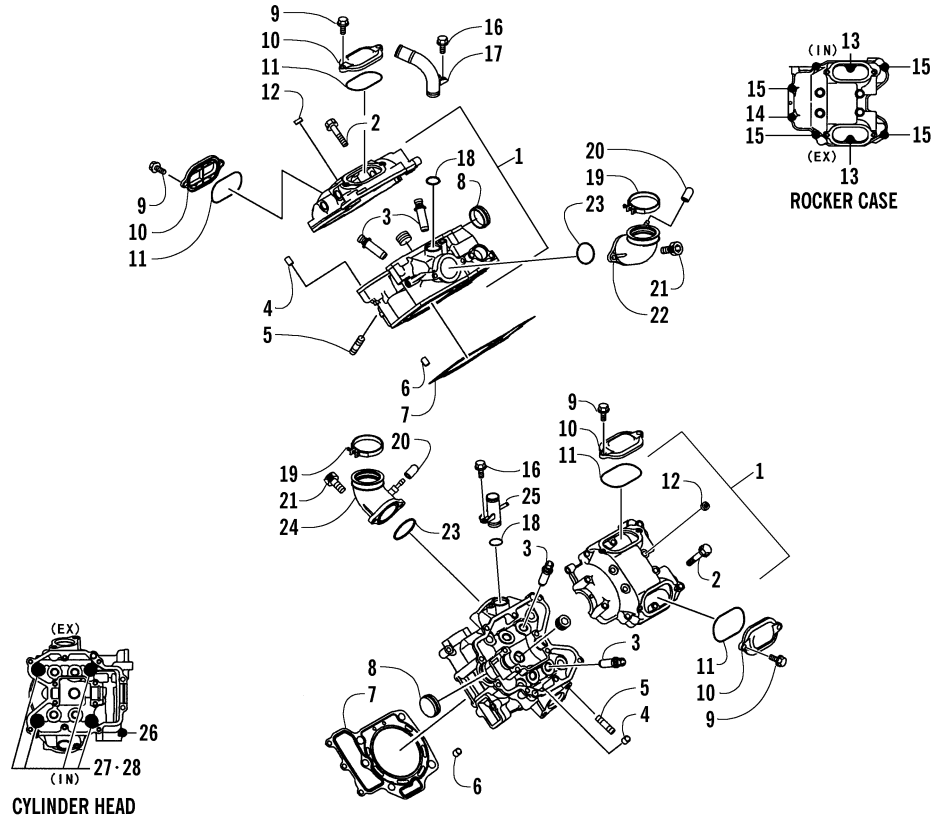


CARBURETOR

(Complete Assembly p/n 0470-497; p/n 0470-528 CA)

0740-279 *Not a Service Part

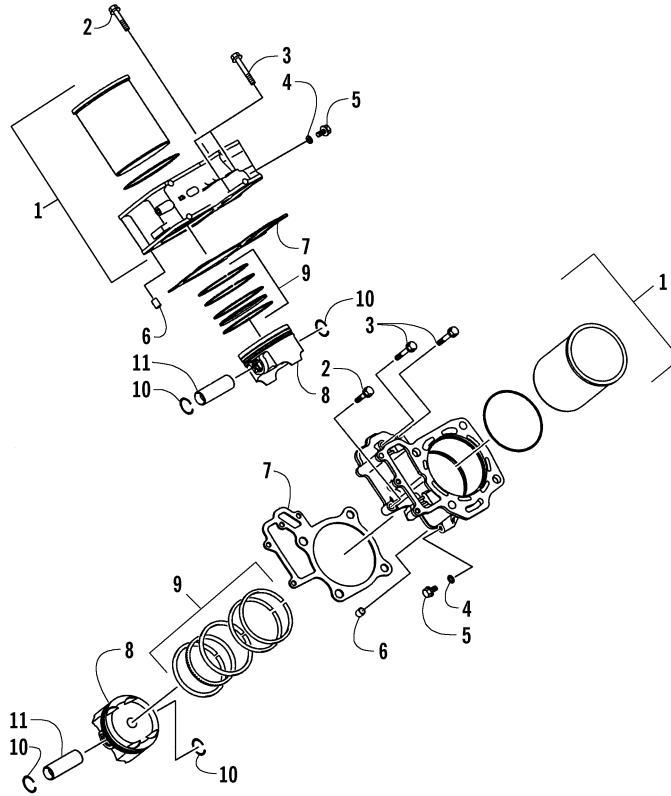
Ref.	Part No.	Qty.	Description	Ref.	Part No.	Qty.	Description
1	5507-037	8	Screw, Top Cover	28	5507-127	2	Slow Jet - 40
2	5507-118	2	Cover, Top	29	5507-163	2	Float Set (inc. 30)
3	5507-119	2	Spring	30	*	2	∅ Pin, Float
4	5507-121	2	Seat, Spring	31	5507-145	2	Nut
5	5507-122	2	Jet Needle	32	5507-152	2	O-Ring
6	5507-120	2	Piston, Vacuum	33	5507-151	1	Fitting, Straight
7	5507-153	1	T-Fitting	34	5507-017	8	Screw
8	5507-154	2	O-Ring	35	5507-141	1	Screw, Idle Adjust
9	5507-144	2	Bolt	36	5507-142	2	Washer
10	5507-136	2	Cap, Starter Valve	37	5507-143	1	Spring
11	5507-137	2	O-Ring	38	5507-164	2	Screw, Pilot - Set (inc. 39-41)
12	5507-135	2	Spring	39	*	2	∅ Spring
13	5507-134	2	Valve, Starter	40	*	2	∅ Washer
14	5507-165	2	Chamber, Float - Assembly (inc. 15-21)	41	*	2	∅ O-Ring
15	*	2	∅ Housing, Pump	42	5507-148	1	Spring
16	5507-139	2	∅ Spring	43	5507-149	1	Spring
17	5507-138	2	∅ Diaphragm Assembly	44	5507-147	1	Spring
18	5507-034	2	∅ O-Ring	45	5507-146	1	Screw, Stop
19	*	2	∅ Chamber, Float	46	5507-106	4	Screw
20	5507-172	2	∅ O-Ring, Float Chamber	47	5507-150	2	Plate, Stay
21	5507-133	2	∅ Screw, Drain	48	5507-155	1	T-Fitting
22	5507-123	2	Holder, Jet	49	5507-159	2	Hose
23	5507-124	2	Needle Jet	50	5507-161	5	Clamp, Hose
24	5507-185	2	Main Jet - 122 - Front/Rear	51	5507-158	1	T-Fitting
	5507-126	1	Main Jet - 115 - Front/Rear (CA)	52	5507-160	1	Hose
	5507-166	1	Main Jet - 110 - Rear (4-6,500 ft Alt.)	53	5507-156	4	O-Ring
	5507-166	1	Main Jet - 110 - Front (6,500-8,000 ft Alt.)	54	0410-069	1	Hose
	5507-166	1	Main Jet - 110 - Rear (6,500-8,000 ft Alt.)	55	3201-053	1	Cover, Throttle Cable
	5507-167	1	Main Jet - 105 - Front (Over 8,000 ft Alt.)	56	3201-056	1	Washer
	5507-166	1	Main Jet - 110 - Rear (Over 8,000 ft Alt.)	57	3201-054	1	Screw, Machine
25	5507-132	6	Screw	58	3201-055	1	Valve, Check
26	5507-038	2	Valve, Float - Set (inc. 27)	59	3201-057	1	Hose
27	*	2	∅ Clip	60	0423-461	1	Clamp, Hose



CYLINDER HEAD ASSEMBLY

0738-988

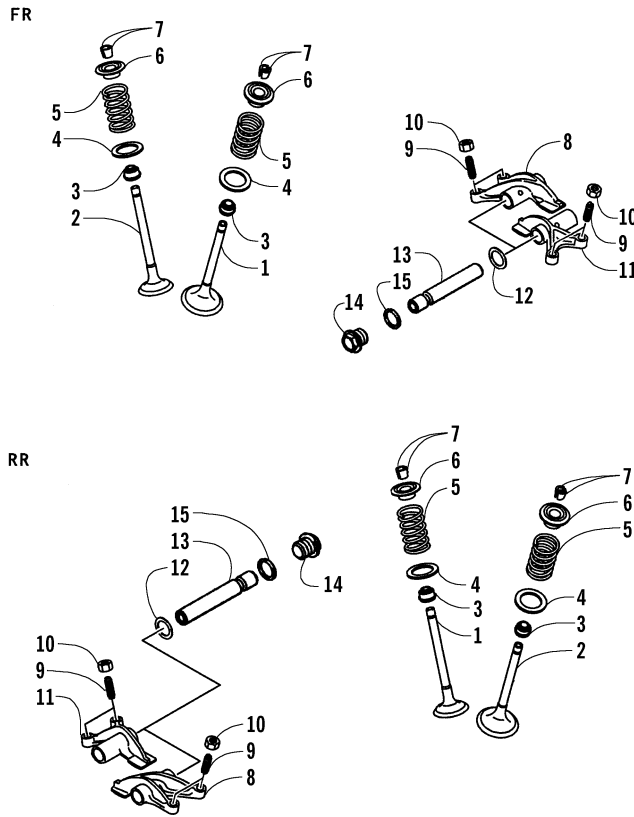
Ref.	Part No.	Qty.	Description	Ref.	Part No.	Qty.	Description
1	3201-409	1	Head, Cylinder - Front (inc. 2-3)	15	3201-146	8	Screw, Cap
	3201-410	1	Head, Cylinder - Rear (inc. 2-3)	16	3201-144	2	Screw, Cap
2	3201-368	8	ø Bolt	17	3201-046	1	Pipe, Water
3	3201-216	AR	ø Guide, Valve	18	3201-048	2	O-Ring
4	3201-304	4	Pin	19	3201-049	2	Clamp
5	3201-264	4	Stud	20	3201-354	2	Plug
6	3201-307	4	Pin	21	3201-099	4	Bolt
7	3201-061	2	Gasket, Head	22	3201-172	1	Holder, Carburetor - Front
8	3201-353	2	Plug	23	3201-337	2	O-Ring
9	3201-036	8	Screw, Cap	24	3201-173	1	Holder, Carburetor - Rear
10	3201-075	4	Cap, Rocker Case	25	3201-047	1	Pipe, Water
11	3201-342	4	O-Ring	26	3201-150	2	Screw, Cap
12	3201-071	8	Gasket	27	3201-377	8	Bolt
13	3201-140	4	Screw, Cap	28	3201-279	8	Washer
14	3201-145	4	Screw, Cap				



CYLINDER/PISTON ASSEMBLY

0738-989 *Optional

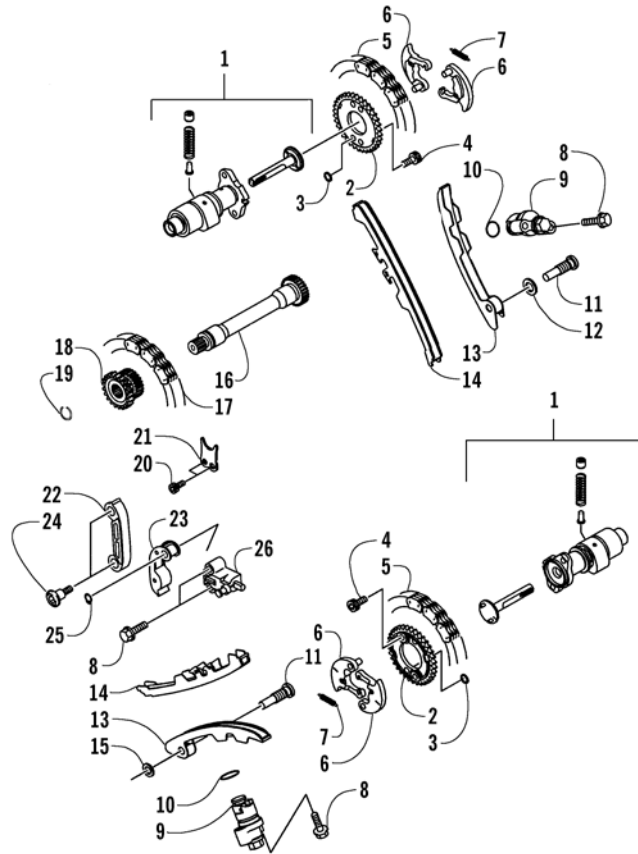
Ref.	Part No.	Qty.	Description	Ref.	Part No.	Qty.	Description
1	3201-062	1	Cylinder, Engine - Front	7	3201-069	2	Gasket, Cylinder Base
	3201-063	1	Cylinder, Engine - Rear	8	3201-100	2	Piston, Engine
2	3201-146	2	Screw, Cap		3201-104	AR	Piston, Engine (Oversized 0.50 mm)*
3	3201-147	4	Screw, Cap	9	3201-102	2	Ring, Set, Piston
4	3201-281	2	Washer		3201-103	AR	Ring, Set, Piston (Oversized 0.50 mm)*
5	3201-144	2	Screw, Cap	10	3201-299	4	Ring, Snap
6	3201-307	4	Pin	11	3201-101	2	Pin, Piston



VALVE ASSEMBLY

0740-247

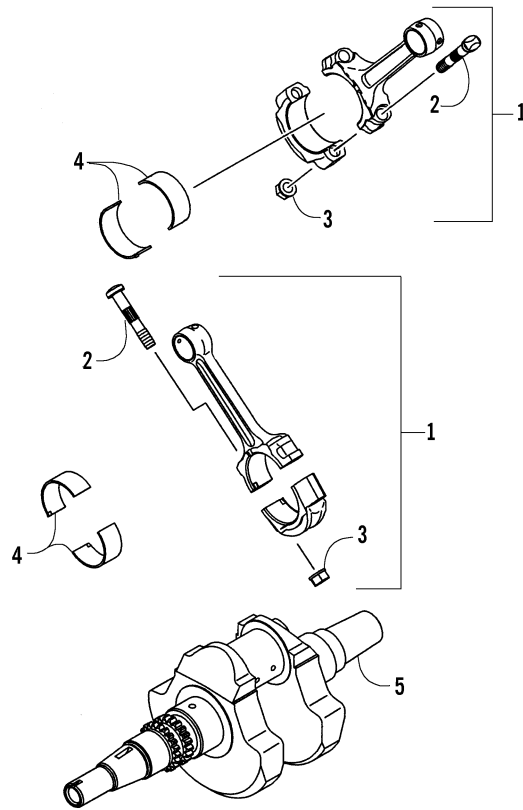
Ref.	Part No.	Qty.	Description	Ref.	Part No.	Qty.	Description
1	<u>3201-406</u>	4	Valve, Intake	9	3201-270	8	Screw
2	<u>3201-407</u>	4	Valve, Exhaust	10	3201-275	8	Nut
3	3201-322	8	Seal, Oil	11	3201-081	2	Arm, Rocker - Intake
4	3201-169	8	Seat, Spring	12	3201-401	4	Washer, Rocker Arm
5	3201-233	8	Spring, Engine Valve	13	<u>3201-411</u>	4	Shaft, Rocker
6	3201-078	8	Retainer, Valve Spring	14	<u>3201-413</u>	4	Plug, Drain
7	3201-079	16	Collet	15	<u>3201-412</u>	4	Gasket
8	3201-080	2	Arm, Rocker - Exhaust				



CAMSHAFTS/TENSIONER ASSEMBLY

0740-248

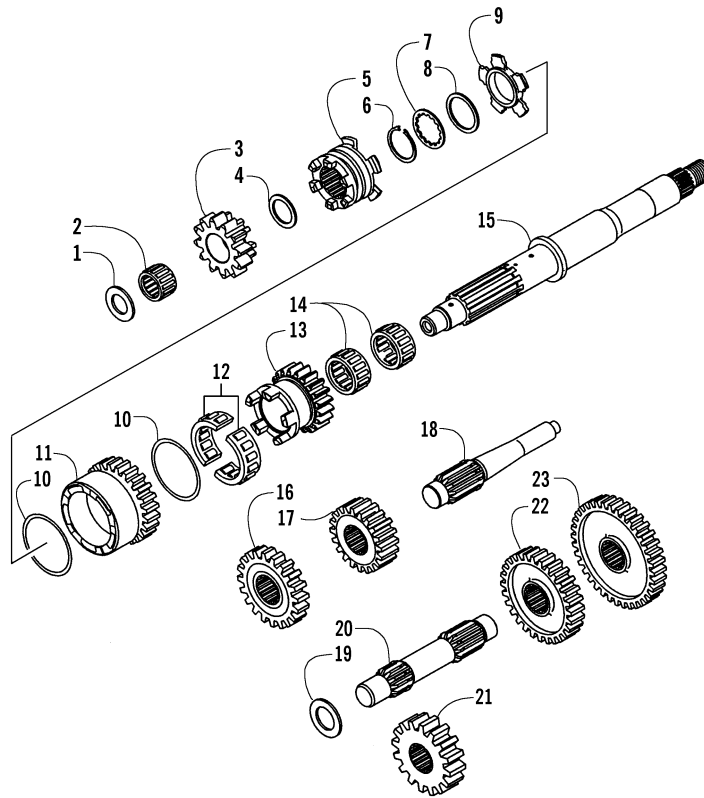
Ref.	Part No.	Qty.	Description	Ref.	Part No.	Qty.	Description
1	3201-238	1	Camshaft Assembly - Front	13	3201-089	2	Guide, Chain - Slack
	3201-239	1	Camshaft Assembly - Rear	14	3201-088	2	Guide, Chain - Tension
2	3201-083	2	Sprocket, Camshaft - 34T	15	3201-209	1	Washer
3	3201-214	4	Circlip	16	3201-417	1	Shaft, Secondary
4	3201-093	4	Bolt	17	3201-414	1	Chain, Secondary Shaft
5	3201-415	2	Chain, Camshaft	18	3201-416	1	Sprocket, Secondary Shaft - 21T and 17T
6	3201-106	4	Weight	19	3201-418	1	Circlip
7	3201-364	2	Spring	20	3201-098	2	Bolt
8	3201-146	6	Screw, Cap	21	3201-158	1	Plate, Position - Drive
9	3201-085	2	Tensioner, Cam - Assembly	22	3201-090	1	Guide, Chain - Tension
10	3201-331	2	O-Ring	23	3201-092	1	Guide, Chain - Slack
11	3201-116	1	Shaft, Chain Guide - Front	24	3201-379	2	Bolt
	3201-117	1	Shaft, Chain Guide - Rear	25	3201-298	1	Ring, Snap
12	3201-070	1	Gasket	26	3201-086	1	Tensioner, Secondary - Assembly



CRANKSHAFT ASSEMBLY

0738-993

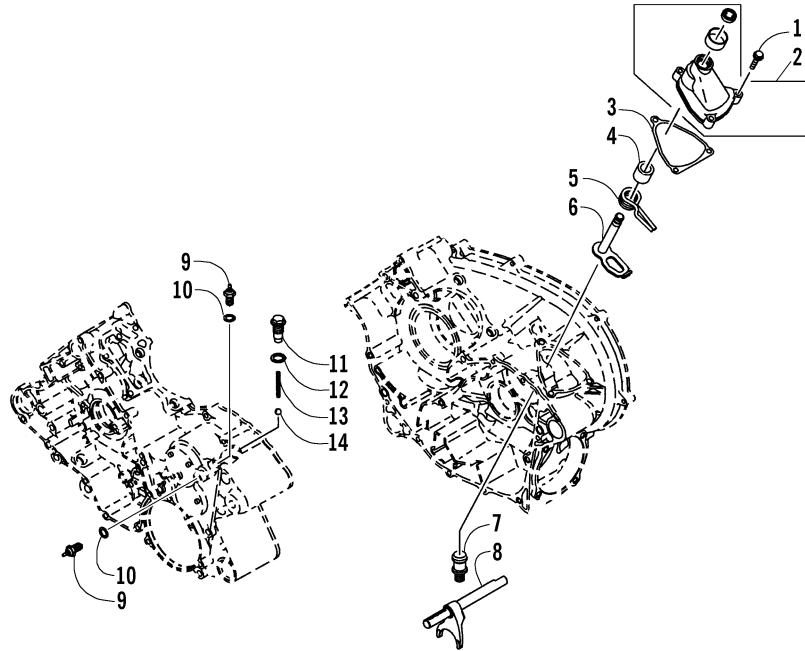
Ref.	Part No.	Qty.	Description	Ref.	Part No.	Qty.	Description
1	3201-128	2	Rod, Connecting - Assembly (inc 2-3)	5	3201-105	1	Crankshaft Assembly
2	3201-263	4	ø Bolt, Connecting Rod				
3	3201-271	4	ø Nut				
4	3201-293	AR	Bushing, Connecting Rod - Green				
	3201-294	4	Bushing, Connecting Rod - Yellow				
	3201-295	AR	Bushing, Connecting Rod - Brown				



TRANSMISSION ASSEMBLY

0738-994

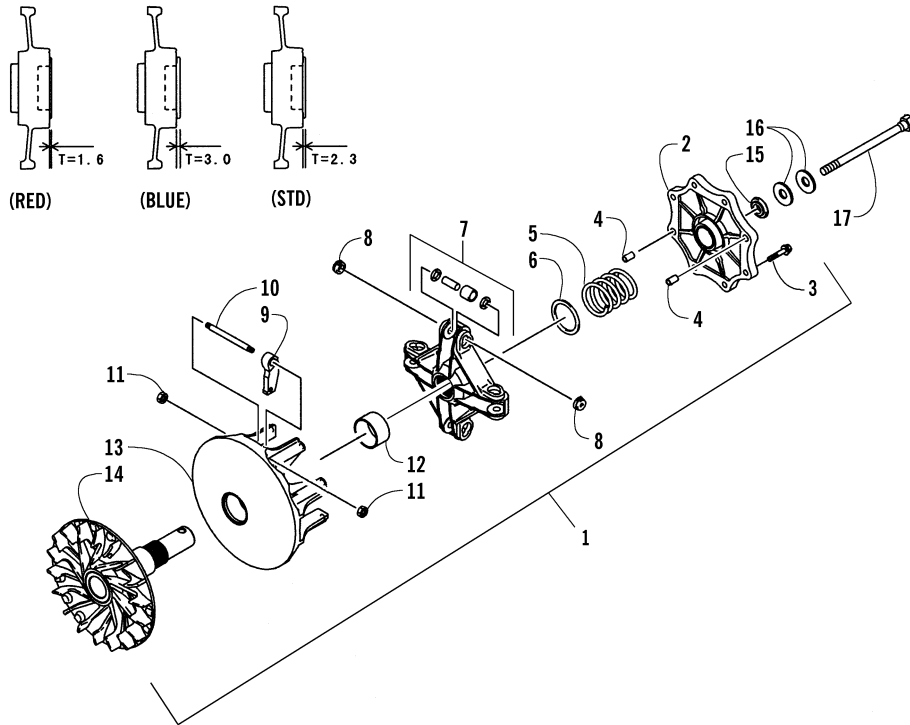
Ref.	Part No.	Qty.	Description	Ref.	Part No.	Qty.	Description
1	3201-283	1	Spacer	13	3201-137	1	Gear, Input - Low - 20T
2	3201-320	1	Bearing, Reverse Input Gear	14	3201-319	2	Bearing, Low Input Gear
3	3201-130	1	Gear, Input - Reverse - 12T	15	3201-425	1	Shaft, Transmission Input
4	3201-285	1	Spacer	16	3201-135	1	Gear, Driven - Reverse - 16T
5	3201-120	1	Shifter	17	3201-134	1	Gear, Output - Reverse - 16T
6	3201-297	1	Ring, Snap	18	3201-115	1	Shaft, Idle - Reverse
7	3201-397	1	Washer	19	3201-398	1	Washer
8	3201-288	1	Spacer	20	3201-419	1	Shaft, Output
9	3201-290	1	Spacer	21	3201-133	1	Gear, Output - Drive - 18T
10	3201-289	2	Spacer	22	3201-132	1	Gear, Driven - High - 30T
11	3201-129	1	Gear, Input - High - 26T	23	3201-131	1	Gear, Driven - Low - 36T
12	3201-317	1	Bearing, High Input Gear				



GEAR SHIFTING ASSEMBLY

0738-997R

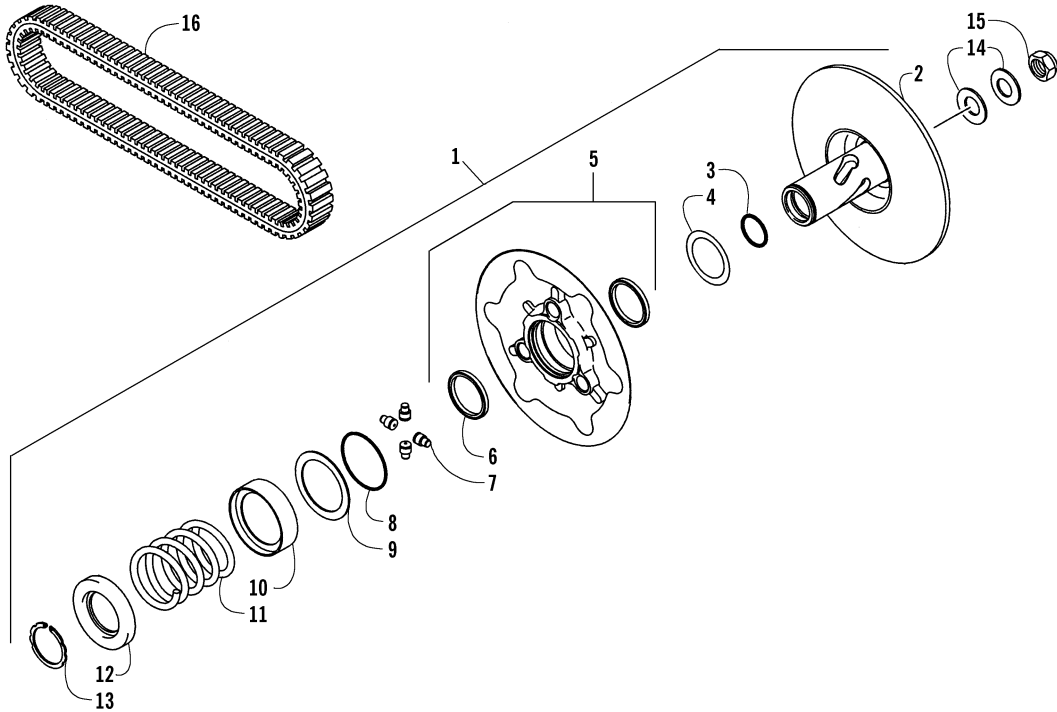
Ref.	Part No.	Qty.	Description	Ref.	Part No.	Qty.	Description
1	3201-146	3	Screw, Cap	9	3201-219	1	Rod, Shift
2	3201-160	1	Cover, Shift Lever - Assembly (inc. 3)	10	3201-121	2	Switch, Neutral - Assembly
3	3201-447	1	ø Seal	11	3201-348	2	Gasket
4	3201-067	1	Gasket, Shift Lever Cover	12	3201-372	1	Bolt
5	3201-109	1	Guide	13	3201-066	1	Gasket, Rocker Shaft
6	3201-363	1	Spring, Shift Lever	14	3201-361	1	Spring
7	3201-124	1	Lever, Shift	15	3201-249	1	Ball, Steel
8	3201-375	1	Bolt, Shift Rod				



DRIVE CLUTCH

0738-999 *Optional

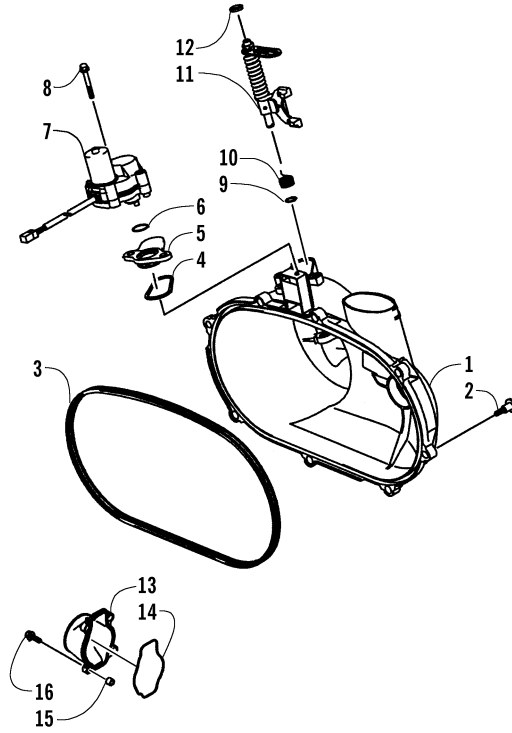
Ref.	Part No.	Qty.	Description	Ref.	Part No.	Qty.	Description
1	3201-236	1	Clutch, Drive (inc. 2-14)				
2	3201-164	AR	ø Cover Assembly - STD		3201-225	AR	ø Shoe - 7.7 mm
	3201-162	AR	ø Cover Assembly - Red*		3201-226	AR	ø Shoe - 7.8 mm
	3201-163	AR	ø Cover Assembly - Blue*		3201-227	AR	ø Shoe - 7.9 mm
3	3201-112	8	ø Screw, Cap		3201-228	AR	ø Shoe - 8.0 mm
4	3201-304	2	ø Pin	9	3201-203	4	ø Weight, Ramp
5	3201-360	1	ø Spring	10	3201-306	4	ø Pin
6	3201-291	1	ø Spacer	11	3201-276	8	ø Nut, Lock
7	3201-229	1	ø Spider Assembly	12	3201-296	1	ø Bushing
8	3201-222	8	ø Shoe - 7.4 mm	13	3201-245	1	ø Sheave, Movable
	3201-220	AR	ø Shoe - 7.2 mm	14	3201-248	1	ø Sheave, Stationary
	3201-221	AR	ø Shoe - 7.3 mm	15	3201-402	1	Washer
	3201-223	AR	ø Shoe - 7.5 mm	16	3201-399	2	Washer, Spring
	3201-224	AR	ø Shoe - 7.6 mm	17	3201-370	1	Bolt



DRIVEN CLUTCH

0739-001

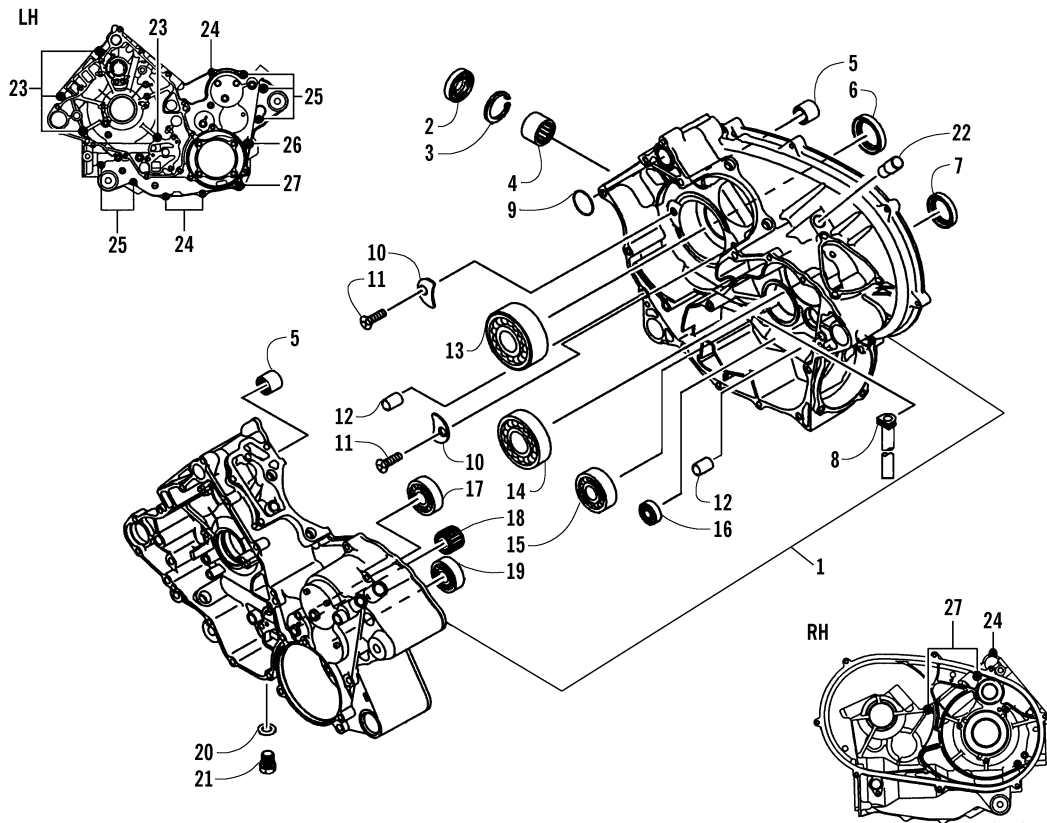
Ref.	Part No.	Qty.	Description	Ref.	Part No.	Qty.	Description
1	3201-237	1	Clutch, Driven (inc. 2-13)	7	3201-358	4	ø Roller
2	3201-246	1	ø Sheave, Stationary	8	3201-261	1	ø O-Ring
3	3201-260	1	ø O-Ring	9	3201-232	1	ø Plate, Thrust
4	3201-284	1	ø Spacer - 1.00 mm	10	3201-171	1	ø Seat, Spring - Movable Sheave
	3201-282	AR	ø Spacer - 0.30 mm	11	3201-365	1	ø Spring - Yellow
	3201-286	AR	ø Spacer - 0.60 mm	12	3201-170	1	ø Seat, Spring
	3201-287	AR	ø Spacer - 1.40 mm	13	3201-300	1	ø Ring, Snap
	3201-292	AR	ø Spacer - 0.80 mm	14	3201-400	2	Washer
5	3201-247	1	ø Sheave, Movable (inc. 6)	15	3201-404	1	Nut
6	3201-325	2	ø ø Seal, Oil	16	3201-242	1	Belt



CLUTCH COVER

0739-003 *Optional

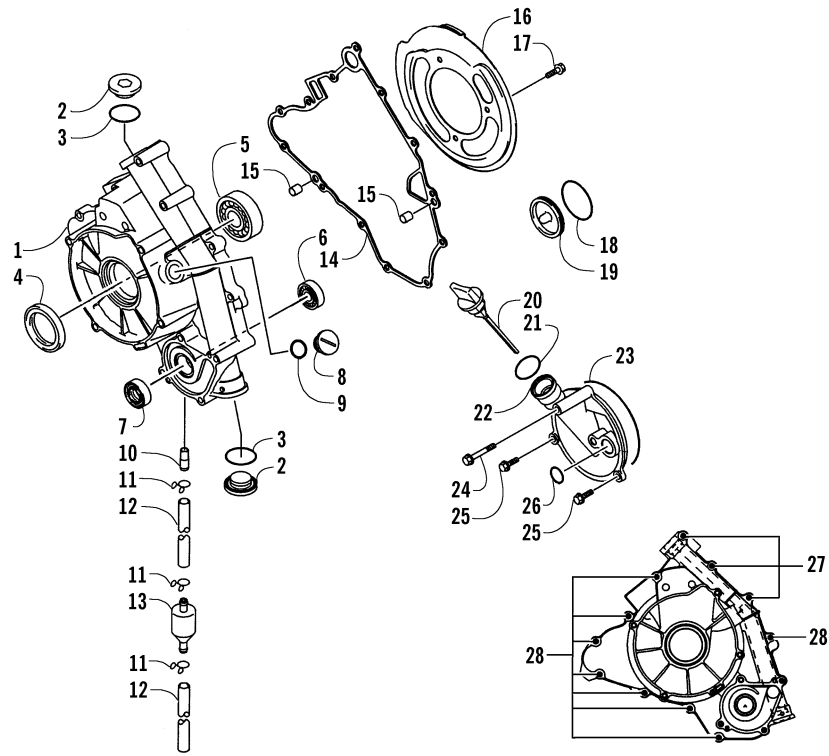
Ref.	Part No.	Qty.	Description	Ref.	Part No.	Qty.	Description
1	3201-161	1	Cover, Clutch	10	3201-366	1	Spring
2	3201-371	8	Bolt	11	<u>3201-429</u>	1	Lever Assembly - Unpainted
3	3201-202	1	Trim, Seal		<u>3201-427</u>	AR	Lever Assembly - Yellow*
4	3201-357	1	Seal		<u>3201-428</u>	AR	Lever Assembly - Green*
5	3201-167	1	Cover, Engine Brake	12	3201-280	1	Washer
6	3201-259	1	O-Ring	13	3201-267	1	Fitting
7	<u>3201-430</u>	1	Actuator, Engine Brake	14	3201-340	1	O-Ring
8	<u>3201-431</u>	3	Screw, Cap	15	3201-378	4	Collar
9	3201-211	1	Circlip	16	3201-037	4	Screw, Cap



CRANKCASE ASSEMBLY

0739-006

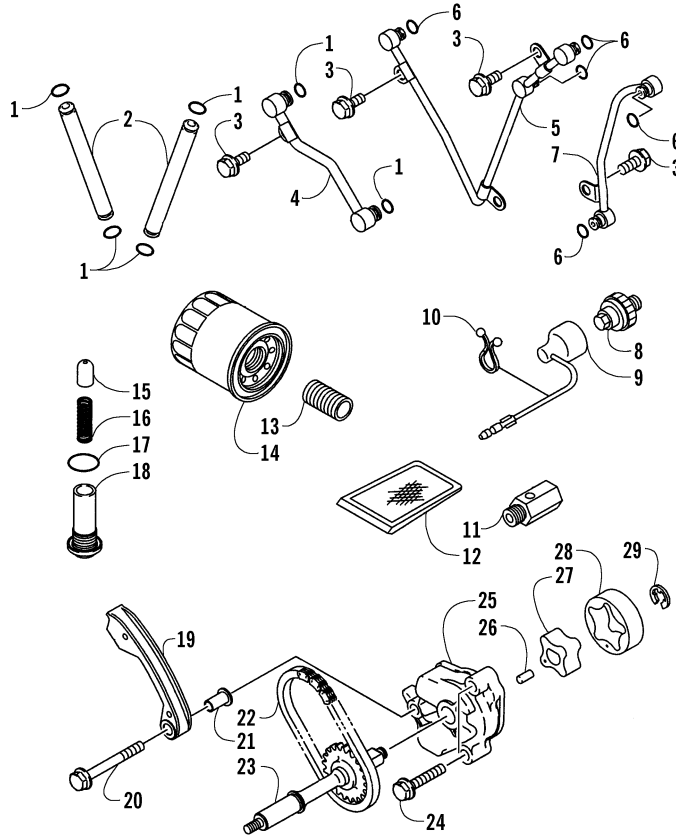
Ref.	Part No.	Qty.	Description	Ref.	Part No.	Qty.	Description
1	3201-421	1	Crankcase	15	3201-252	1	Bearing
2	3201-327	1	Seal, Oil	16	3201-250	1	Bearing
3	3201-213	1	Circlip	17	3201-312	1	Bearing
4	3201-318	1	Bearing	18	3201-316	1	Bearing
5	3201-315	2	Bearing	19	3201-251	1	Bearing
6	3201-324	1	Seal, Oil	20	3201-349	1	Gasket, Drain Plug
7	3201-328	1	Seal, Oil	21	3201-352	1	Plug, Drain
8	3201-422	1	Tube, Oil Return	22	3201-165	1	Fitting, Breather
9	3201-332	1	O-Ring	23	3201-155	4	Screw, Cap
10	3201-157	2	Plate, Position	24	3201-147	4	Screw, Cap
11	3201-193	2	Screw	25	3201-149	5	Screw, Cap
12	3201-305	2	Pin	26	3201-374	1	Bolt
13	3201-308	1	Bearing	27	3201-153	3	Screw, Cap
14	3201-309	1	Bearing				



ENGINE COVERS

0739-008

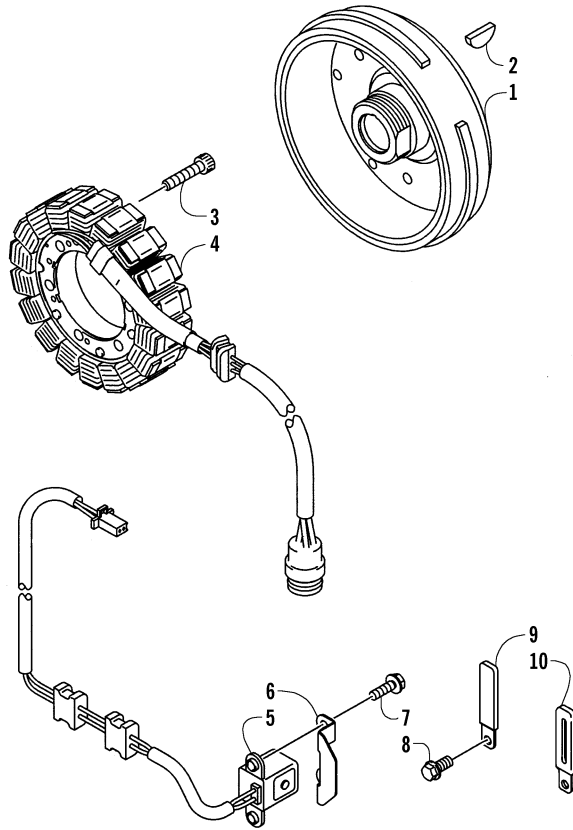
Ref.	Part No.	Qty.	Description	Ref.	Part No.	Qty.	Description
1	3201-432	1	Cover, Magneto	15	3201-304	2	Pin
2	3201-351	2	Plug	16	3201-168	1	Cover, Drive
3	3201-332	2	O-Ring	17	3201-144	3	Screw, Cap
4	3201-329	1	Seal, Oil	18	3201-028	1	O-Ring
5	3201-313	1	Bearing	19	3201-074	1	Cap
6	3201-311	1	Bearing	20	3201-175	1	Cap, Oil Filler
7	3201-323	1	Seal, Oil	21	3201-344	1	O-Ring
8	3201-350	1	Plug, Cover	22	3201-166	1	Cover
9	3201-333	1	O-Ring	23	3201-341	1	O-Ring
10	3201-266	1	Fitting	24	3201-149	1	Screw, Cap
11	3201-052	3	Clamp, Hose	25	3201-036	2	Screw, Cap
12	3201-051	2	Hose	26	3201-258	1	O-Ring
13	3201-050	1	Breather	27	3201-148	3	Screw, Cap
14	3201-072	1	Gasket	28	3201-146	8	Screw, Cap



OIL PUMP ASSEMBLY

0740-249

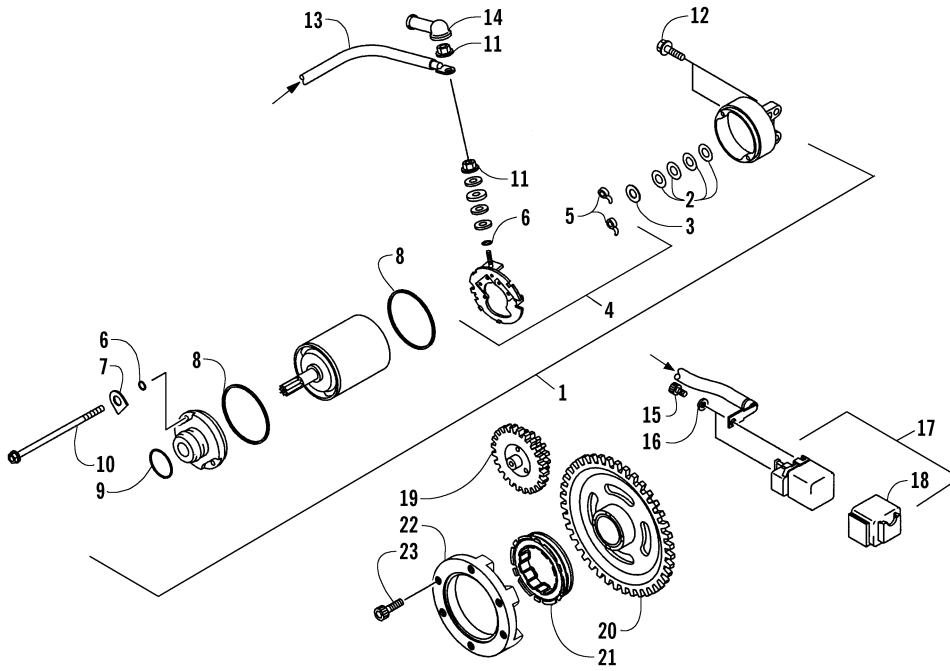
Ref.	Part No.	Qty.	Description	Ref.	Part No.	Qty.	Description
1	3201-255	6	O-Ring	16	3201-356	1	Spring
2	3201-199	2	Pipe	17	3201-257	1	O-Ring
3	3201-144	4	Screw, Cap	18	3201-376	1	Bolt
4	3201-204	1	Pipe, Oil - Crankshaft	19	3201-087	1	Guide, Chain - Slack
5	3201-205	1	Pipe, Oil - Crankcase - Left	20	3201-142	1	Screw, Cap
6	3201-254	5	O-Ring	21	3201-359	1	Collar
7	3201-206	1	Pipe, Oil - Crankcase - Right	22	3201-423	1	Chain
8	3201-196	1	Switch, Oil Pressure	23	3201-123	1	Shaft, Oil Pump
9	3201-194	1	Wire, Lead	24	3201-146	2	Screw, Cap
10	3201-383	1	Clamp	25	3201-178	1	Cover, Pump
11	3201-176	1	Valve, Relief - Assembly	26	3201-241	2	Pin, Dowel
12	3201-231	1	Filter, Oil	27	3201-179	1	Rotor, Pump - Inner
13	3201-198	1	Pipe, Oil Filter	28	3201-180	1	Rotor, Pump - Outer
14	3201-044	1	Filter, Oil	29	3201-215	1	Circlip
15	3201-303	1	Pin				



MAGNETO

0739-013

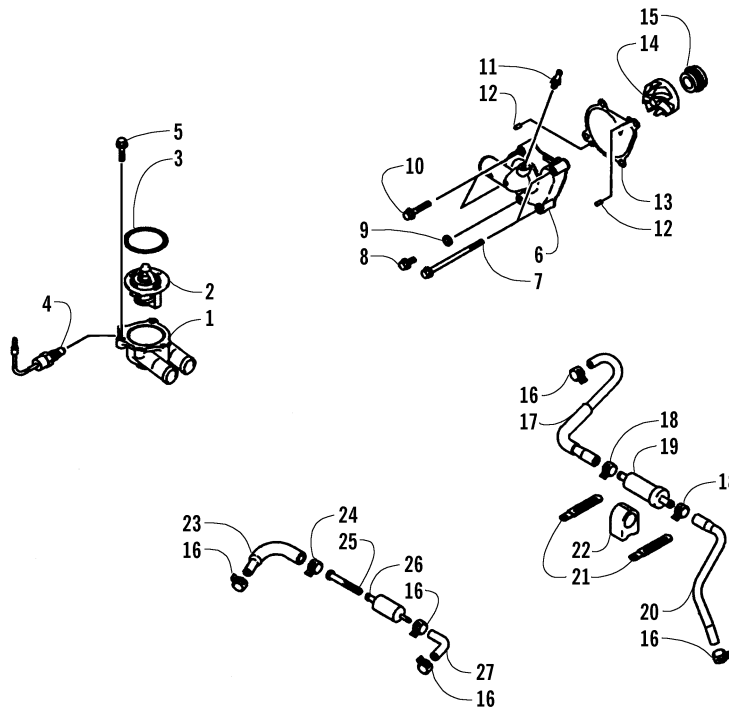
Ref.	Part No.	Qty.	Description	Ref.	Part No.	Qty.	Description
1	3201-183	1	Rotor	6	3201-138	1	Plate
2	3201-240	1	Key	7	3201-111	2	Screw, Cap
3	3201-095	3	Bolt	8	3201-144	1	Screw, Cap
4	3201-182	1	Stator	9	3201-382	1	Clamp
5	3201-243	1	Coil, Pulsing	10	3201-033	1	Clamp



STARTER MOTOR

0740-250

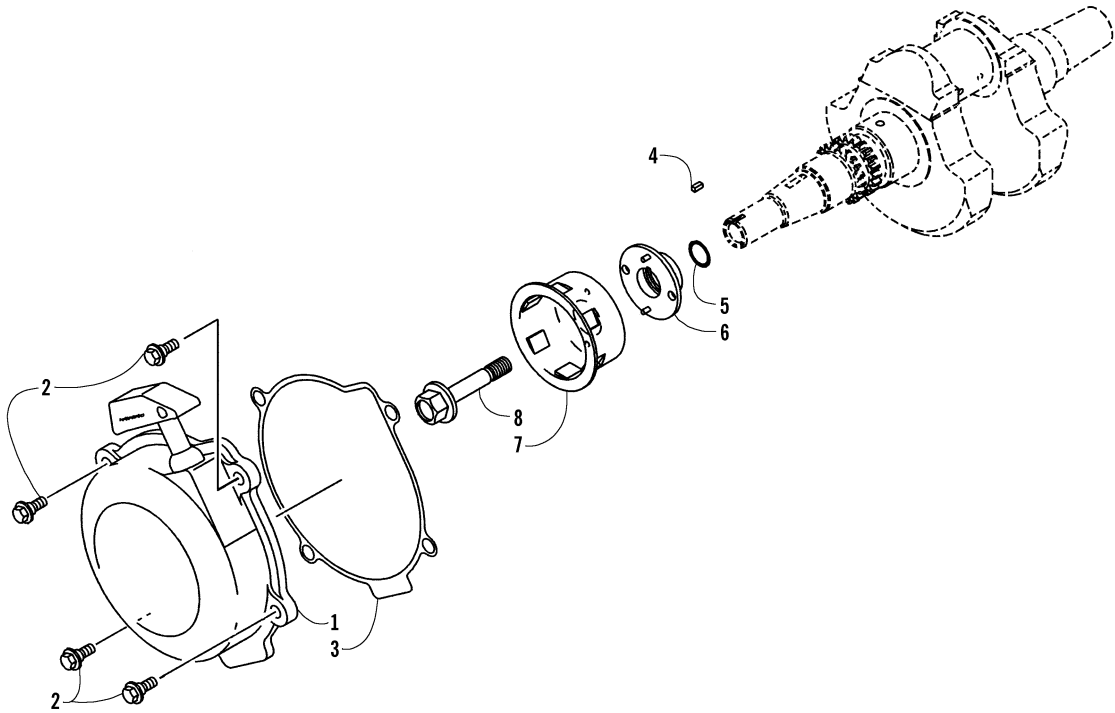
Ref.	Part No.	Qty.	Description	Ref.	Part No.	Qty.	Description
1	3201-189	1	Motor, Starter (inc. 2-10 and one No. 11)	12	3201-146	2	Screw, Cap
2	3201-186	4	ø Washer	13	3201-195	1	Wire, Lead
3	3201-277	1	ø Washer	14	3201-185	1	Grommet, Starter Terminal
4	3201-187	1	ø Brush Set (inc. 5, two No. 6, and one No. 11)	15	3201-097	2	Bolt
5	3201-188	2	ø ø Spring, Brush	16	3201-210	2	Washer, Lock
6	3201-338	3	ø ø O-Ring	17	3201-197	1	Switch, Magnetic (inc. 18)
7	3201-278	2	ø Washer, Lock	18	3201-110	1	ø Holder
8	3201-339	2	ø O-Ring	19	3201-200	1	Limiter, Starter
9	3201-335	1	ø O-Ring	20	3201-174	1	Gear, Starter
10	3201-367	2	ø Bolt	21	3201-122	1	Clutch, One-way
11	3201-274	2	ø Nut	22	3201-433	1	Race, One-way Clutch
				23	3201-096	6	Bolt



WATER PUMP/THERMOSTAT ASSEMBLY

0739-021

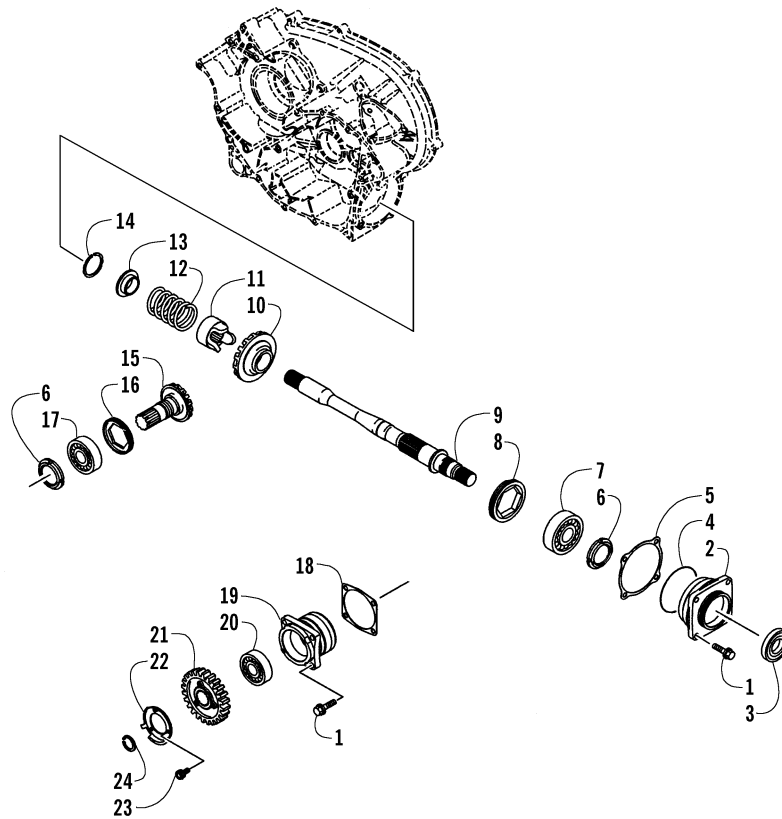
Ref.	Part No.	Qty.	Description	Ref.	Part No.	Qty.	Description
1	3201-019	1	Body, Thermostat Lower	15	3201-230	1	Seal, Mechanical
2	3201-026	1	Thermostat	16	3201-032	5	Clamp
3	3201-028	1	O-Ring	17	3201-023	1	Hose, Cooling - Carburetor/Valve
4	3201-021	1	Switch, Temperature Sensor	18	3201-031	2	Clamp
5	3201-036	4	Screw, Cap	19	3201-027	1	Valve
6	3201-177	1	Cover, Water Pump	20	3201-024	1	Hose, Cooling - Valve/Water Pump
7	3201-143	2	Screw, Cap	21	3201-033	2	Clamp
8	3201-144	1	Screw, Cap	22	3201-029	1	Damper, Valve
9	3201-281	1	Washer	23	3201-058	1	Hose, Cooling - Water Filter/Carburetor
10	3201-146	2	Screw, Cap	24	3201-030	1	Clamp
11	3201-265	1	Fitting	25	3201-025	1	Filter, Water
12	3201-241	2	Pin, Dowel	26	3201-020	1	Body, Water Filter
13	3201-068	1	Gasket, Water Pump	27	3201-022	1	Hose, Cooling - Cylinder Head/Filter
14	3201-244	1	Impeller				



RECOIL STARTER

0739-022

Ref.	Part No.	Qty.	Description	Ref.	Part No.	Qty.	Description
1	3201-235	1	Starter, Recoil	5	3201-334	1	O-Ring
2	3201-380	4	Bolt	6	3201-108	1	Boss
3	3201-073	1	Gasket, Recoil Starter	7	3201-234	1	Pulley, Starter
4	3201-302	1	Key	8	3201-369	1	Bolt



FRONT BEVEL GEAR

0739-029

Ref.	Part No.	Qty.	Description	Ref.	Part No.	Qty.	Description
1	3201-373	8	Bolt	13	3201-139	1	Holder
2	3201-208	1	Housing, Bearing	14	3201-301	1	Ring, Snap
3	3201-326	1	Seal, Oil	15	3201-217	1	Gear, Drive Bevel - 12T
4	3201-262	1	O-Ring	16	3201-269	1	Screw
5	3201-384	1	Shim, Driven - 0.15 mm	17	3201-253	1	Bearing
	3201-385	1	Shim, Driven - 0.20 mm	18	3201-388	1	Shim, Drive - 0.15 mm
	3201-386	1	Shim, Driven - 0.50 mm		3201-389	1	Shim, Drive - 0.20 mm
	3201-387	1	Shim, Driven - 0.80 mm		3201-390	1	Shim, Drive - 0.50 mm
	3201-392	1	Shim, Driven - 1.00 mm		3201-391	1	Shim, Drive - 0.80 mm
	3201-393	1	Shim, Driven - 1.20 mm		3201-394	1	Shim, Drive - 1.00 mm
6	3201-403	2	Nut		3201-395	1	Shim, Drive - 1.20 mm
7	3201-309	1	Bearing	19	3201-207	1	Housing
8	3201-268	1	Screw	20	3201-310	1	Bearing
9	3201-113	1	Shaft	21	3201-136	1	Gear, Output - 29T
10	3201-218	1	Gear, Driven Bevel - 20T	22	3201-184	1	Rotor, Reverse Sensor
11	3201-107	1	Cam, Damper	23	3201-094	3	Bolt
12	3201-362	1	Spring	24	3201-212	1	Circlip

RELATED ITEMS

2006 ATV 650 V-Twin FIS (Automatic Transmission)

Red
Green
Cat Green

0436-479	Articulating Spool Mount	2257-120	Manual, Illustrated Parts
0436-548	Articulating Spool Receiver Mount Adapter	2257-034	Manual, Operator's (E)
0436-679	Bag, Fender - Black	2257-172	Manuel d'utilisation (F)
0436-660	Bag, Rack, Front - Black	0436-626	Rack Basket
0436-480	Bar, Utility/Gun Rack	0436-647	Rack Extension, 4 in. (Front)
0436-619	Brush Guard/Bumper	0436-646	Rack Extension, 8 in. (Rear)
0436-462	Bucket Holder	0436-629	Rapid Blind (Break-Up)
0436-620	Bumper (Rear)	0436-630	Rapid Blind (Shadow Grass)
0436-464	Camp Stove Cradle	0436-628	Rapid Shack (Blue Ice)
0436-454	Cargo Box	0436-511	Rod Holder - Adjustable
0436-625	Cargo Box Quick-Release Kit	0436-635	Snowplow Attachment Kit
0436-459	Carryall (9 x 12)	0436-228	Snowplow Blade, 50 in. - Straight
0436-460	Carryall (11 x 17)	0436-287	Snowplow Blade, 50 in. - One-Way
0436-652	Carryall (14 x 27)	0436-296	Snowplow Blade, 60 in. - Straight
0436-476	Chain Saw Lock	0436-360	Snowplow Blade, 60 in. - One-Way
0436-477	Cord Reel	0436-636	Snowplow, Push Frame
0436-664	Cover, Black and Green	0436-471	Speedclamp, Double
0436-668	Cover, Timber Camo	0436-624	Sprayer System
0436-005	Engine Oil - 10W40	0436-741	Sprayer Boom (120 in.)
0436-003	Engine Oil - 5W30	0436-465	Table, Expansion
0436-466	Fender Box	1402-028	Tire, Titan AT589 (25x8-12, Mud - Snow)
0436-538	Gear Cradle	0402-563	Tire, Titan AT589 (25x10-12, Mud - Snow)
0436-007	Gear Lube (Diff) - 80W90	0436-478	Tool Caddy
0436-501	Grease, High-Performance	0436-297	Tool Holder - Double
0436-627	Gun Scabbard Kit	0436-263	Tool Holder - Single
0436-706	Gun Scabbard Mount	0436-468	Tree Stand/Bow Case Holder
0436-505	Hand Guards - Black	0436-655	Winch, 2500 lb
0436-352	Hand/Thumb Warmers	0436-623	Windshield, Clear w/Black Accent
0436-639	Ice Auger Holder	0436-470	Workbase (8 in.)
0436-463	Light Bar		

■NOTE: For a complete list of related items, refer to the current accessory catalog.