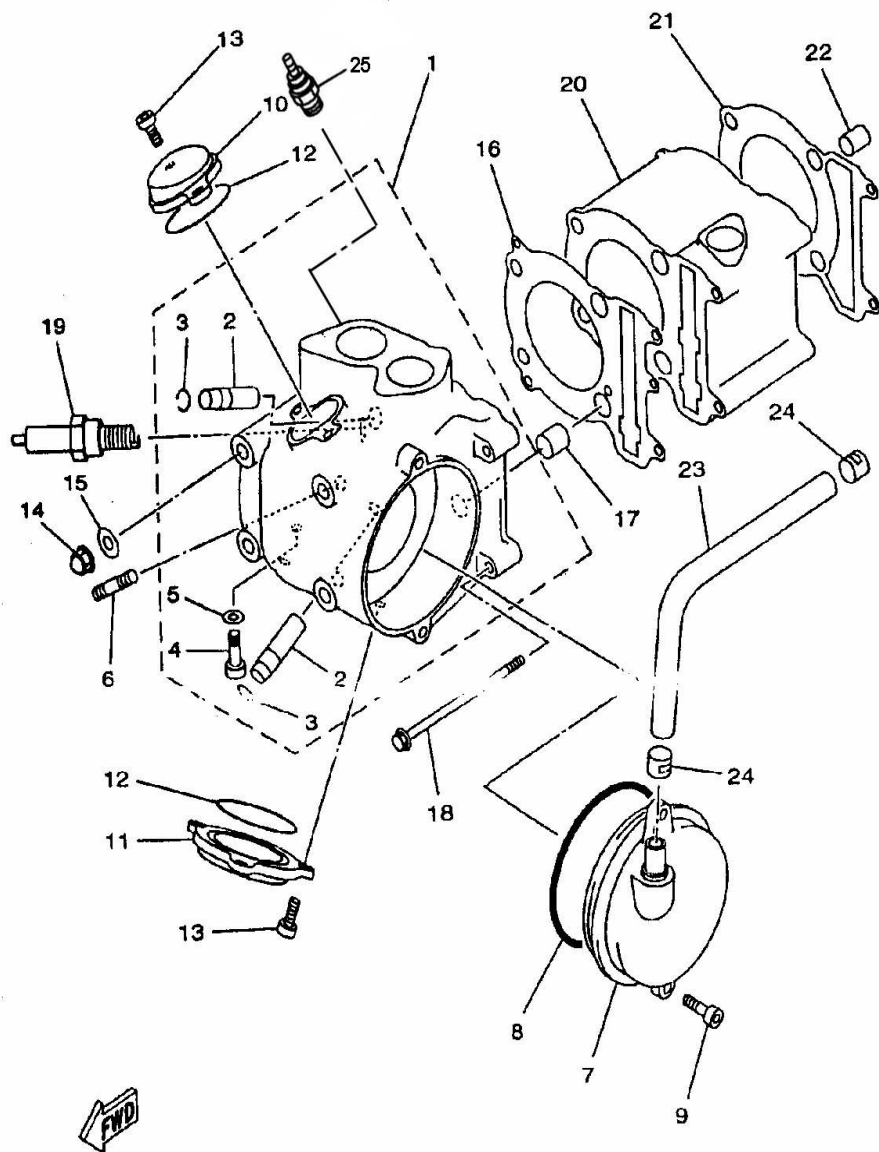


# DRAGON FLY 400 Parti di ricambio - agg. 30-12-09

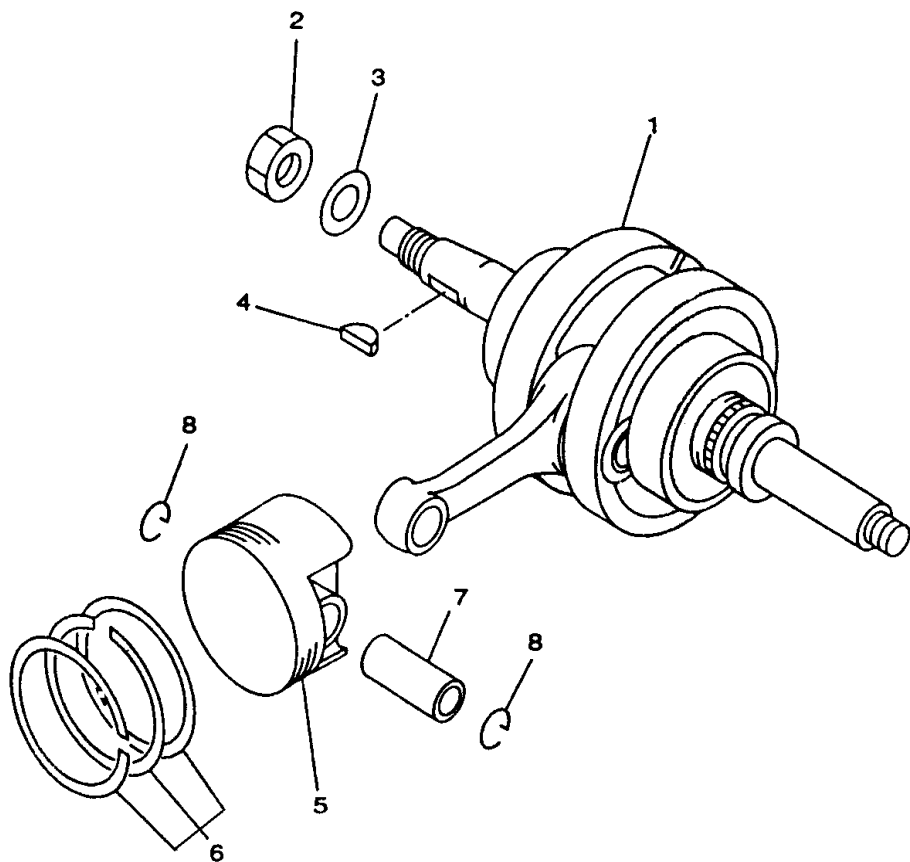
## 19 CYLINDER



REF. No.	PART NO.	DESCRIPTION	Q'TY
1	27337	CYLINDER HEAD ASSY	1
2	27338	GUIDE INTAKE VALVE	2
3	10112	CIRCLIP 12	2
4	10086	BOLT M6X12	1
5	22810	GASKET 6	1
6	10014	BOLT STUD M8X25	2
7	22407	BREATHER ASSY	1
8	22408	O-RING 95X3.3	1
9	10008	BOLT SOCKET HEAD M6X20	2
10	22410	VALVE COVER INTAKE SIDE	1
11	22411	VALVE COVER EXHAUST SIDE	1
12	22412	O-RING 57.5X2.3	2
13	10008	BOLT SOCKET HEAD M6X20	5
14	22414	NUT CROWN M8	4
15	22415	WASHER PLATE 8	4
16	27221	GASKET CYLINDER HEAD1	1
17	22417	PIN DOWEL 14X16	2
18	27339	BOLT FLANGE M6X130	2
19	22419	PLUG SPARK-NGK DR8EA	1
20	27228	CYLINDER	1
21	27226	GASKET CYLINDER	1
22	22422	PIN DOWEL 10X14	2
23	22423	PIPE BREATHER1	1
24	43514	CLIP 13MM	2
25	27396	THERMO UNIT	1

# DRAGON FLY 400 Parti di ricambio - agg. 30-12-09

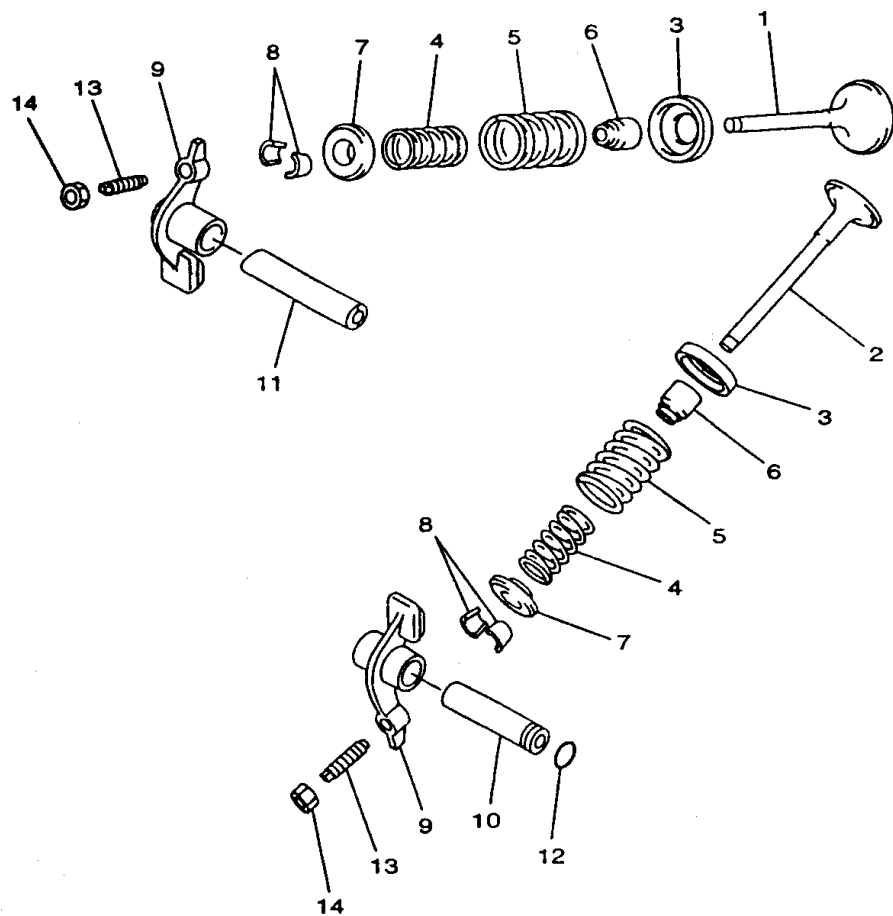
## 20 CRANKSHAFT COMP



REF. No.	PART NO.	DESCRIPTION	Q'TY
1	27238	CRANKSHAFT ASSY	1
2	22502	NUT M16X1	1
3	22503	WASHER PLATE 16	1
4	22504	KEY WOODRUFF	1
5	27241	PISTON	1
6	27242	PISTON RING SET	1
7	27240	PISTON PIN	1
8	27239	CLIP	2

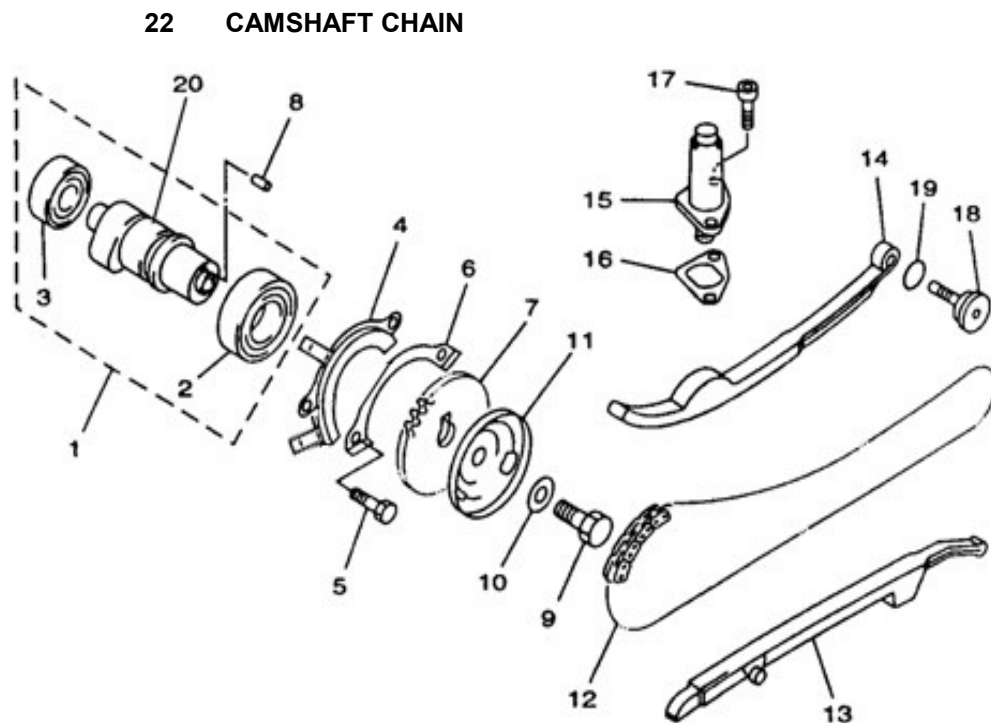
## DRAGON FLY 400 Parti di ricambio - agg. 30-12-09

### 21 VALVE



REF. No.	PART NO.	DESCRIPTION	Q'TY
1	27222	INTAKE VALVE	1
2	27223	EXHAUST VALVE	1
3	22603	SEAT SPRING VALVE	2
4	22604	SPRING VALVE INNER	2
5	22605	SPRING VALVE OUTER	2
6	22606	SEAL VALVE STEM	2
7	22607	RETAINER SPRING VALVE	2
8	22608	COTTER VALVE	4
9	22609	ROCKER ARM VALVE	2
10	22610	EXHAUST ROCKER SHAFT	1
11	22611	INTAKE ROCKER SHAFT	1
12	22612	O-RING 9X2	1
13	22613	ADJUSTING SCREW VALVE	2
14	22614	NUT M6X0.75	2

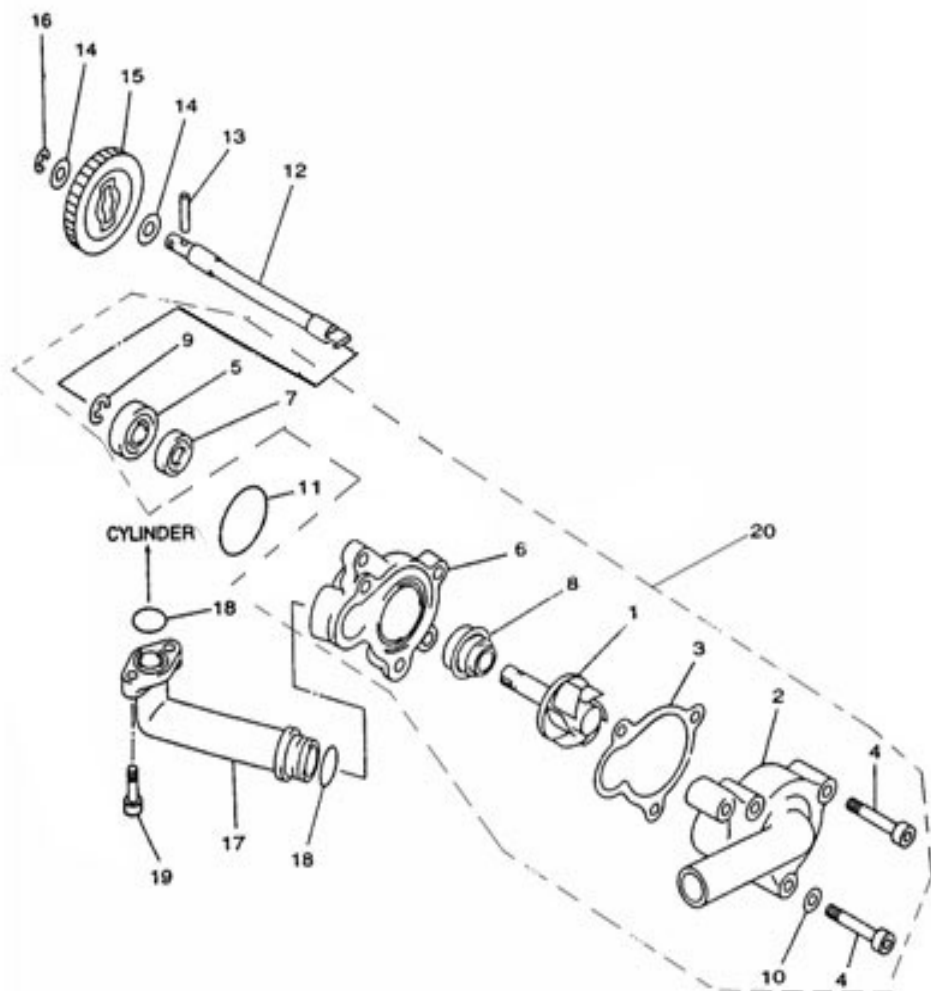
## DRAGON FLY 400 Parti di ricambio - agg. 30-12-09



REF. No.	PART NO.	DESCRIPTION	Q'TY
1	27234	CAMSHAFT ASSY1	1
2	10012	BEARING	1
3	10013	BEARING(B6202Z)	1
4	27237	PLATE	1
5	10086	BOLT M6X12	2
6	27236	LOCK WASHER	1
7	22707	CAM CHAIN SPROCKET	1
8	10024	DOWEL PIN B4X10	1
9	10025	BOLT M10X1.25X25	1
10	22710	WASHER PLATE 10	1
11	22711	BREATHER PLATE2	1
12	27201	CHAIN	1
13	27203	GUIDE STOPPER1	1
14	27202	GUIDE STOPPER2	1
15	22715A	CAM CHAIN TENSIONER ASSY	1
16	22716	GASKET TENSIONER CASE	1
17	10036	SOCKET HEAD BOLT M6X14	2
18	22718	CHAIN TENSIONER PIVOT BOLT	1
19	22719	O-RING 14.5X1.8	1
20	27235	CAMSHAFT	1

# DRAGON FLY 400 Parti di ricambio - agg. 30-12-09

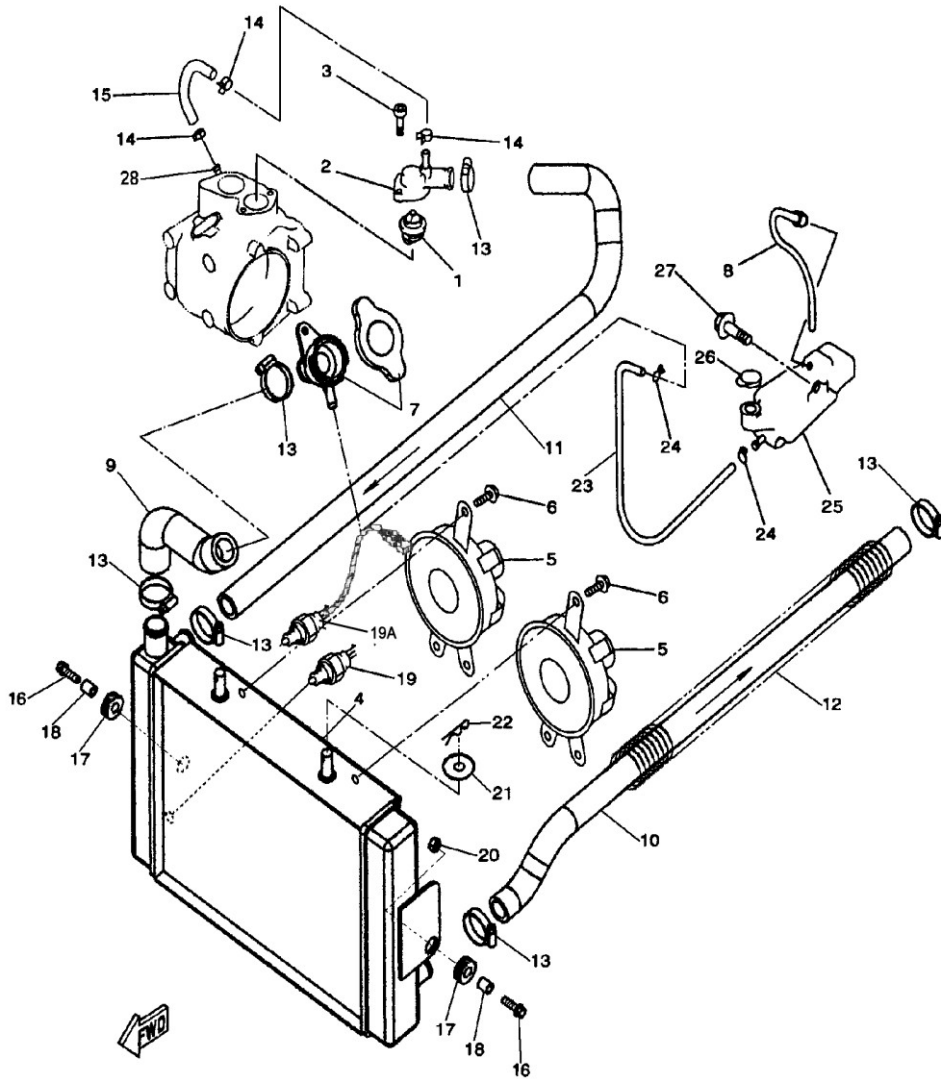
## 23 WATER PUMP



REF. No.	PART NO.	DESCRIPTION	Q'TY
1	22801	IMPELLER SHAFT ASSY	1
2	22802	HOUSING COVER	1
3	22803	GASKET HOUSING COVER2	1
4	10041	SOCKET HEAD BOLT M6X35	3
5	10043	BEARING	1
6	22806	WATER PUMP HOUSING	1
7	22807	OIL SEAL 10X21X5	1
8	22808	MECHANICAL SEAL	1
9	10044	CIRCLIP 9	1
10	22810	GASKET 6	1
11	10049	O-RING 33.5X2.65	1
12	27230	SHAFT	1
13	10070	DOWEL PIN C3X22	1
14	23814	WASHER PLATE 8	2
15	22815	IMPELLER SHAFT GEAR	1
16	10072	CIRCLIP 8	1
17	27229	JOINT	1
18	10082	O-RING 15.5X2.5	2
19	10083	SOCKET HEAD BOLT M6X15	2
20	27227	WATER PUMP ASSY	1

# DRAGON FLY 400 Parti di ricambio - agg. 30-12-09

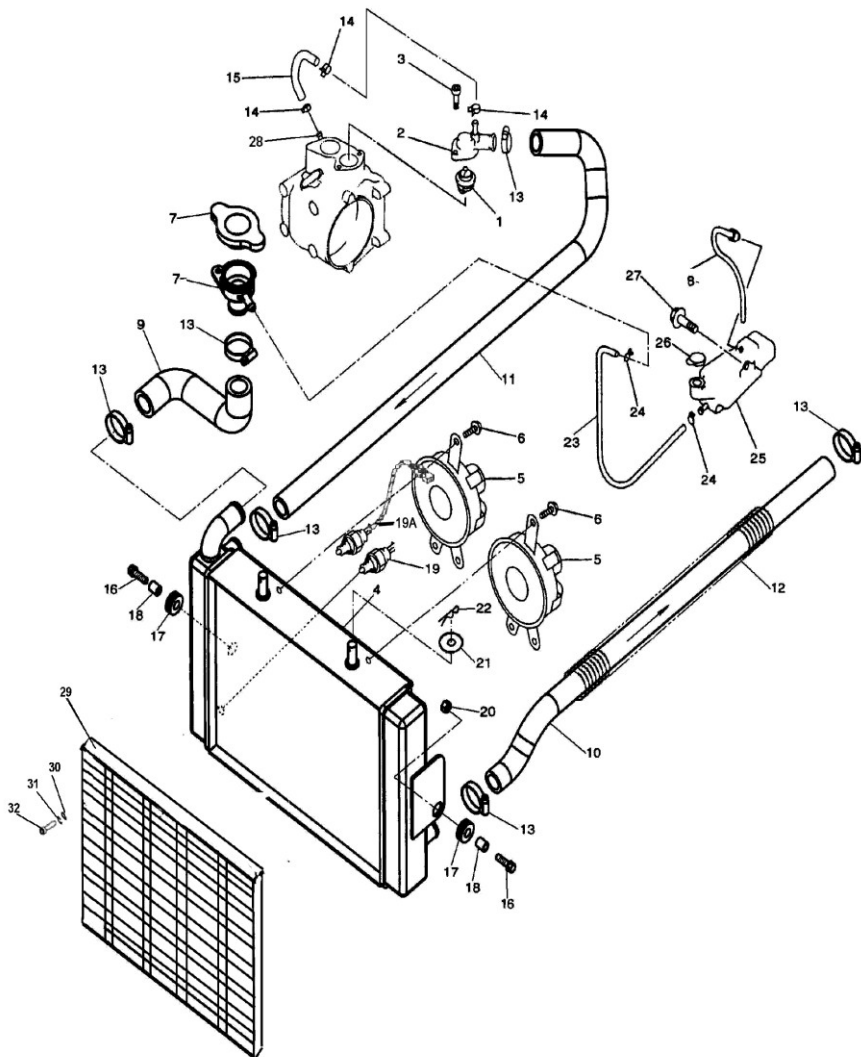
## 24 RADIATOR ( FOR 2WD )



REF. No.	PART NO.	DESCRIPTION	Q'TY
1	22901	THERMOSTAT	1
1	22901A	THERMOSTAT(ONLY FOR ITALY)	1
2	22902	THERMOSTAT COVER	1
3	10085	SOCKET HEAD BOLT M6X25	2
4	22904F	RADIATOR ASSY	1
5	22905	BLOWER ASSY	2
6	10087	FLANGE BOLT M6X9	6
7	22907A	SAFETY VALVE	1
8	23028	PIPE 2	1
9	22909F	RADIATOR FILLER HOSE	1
10	22910	RETURN HOSE	1
11	22911F	FEED HOSE	1
12	22912	COMPRESSION SPRING	2
13	22913	HOSE CLAMP1	6
14	22914	HOSE CLAMP2	2
15	22915	HOSE2	1
16	10110	BOLT M6X20	2
17	22917	RADIATOR SIDE SUPT GROMMET	2
18	22918	COLLAR	2
19	22919	THERMOSTAT SWITCH ASSY	1
19A	22919A	THERMOSTAT SWITCH ASSY(ONLY FOR ITALY)(USE AFTER C	1
20	10004	NUT M6	2
21	10019	WASHER PLATE 10	2
22	10094	CLIP 2X20	2
23	22923	PIPE 1	1
24	22924	CLIP	2
25	22925	TANK RECOVERY	1
26	22926	CAP	1
27	10140	BOLT FLANGE M6X12	1
28	23001	JOIN	1

# DRAGON FLY 400 Parti di ricambio - agg. 30-12-09

## 24 RADIATOR ( FOR 4WD )

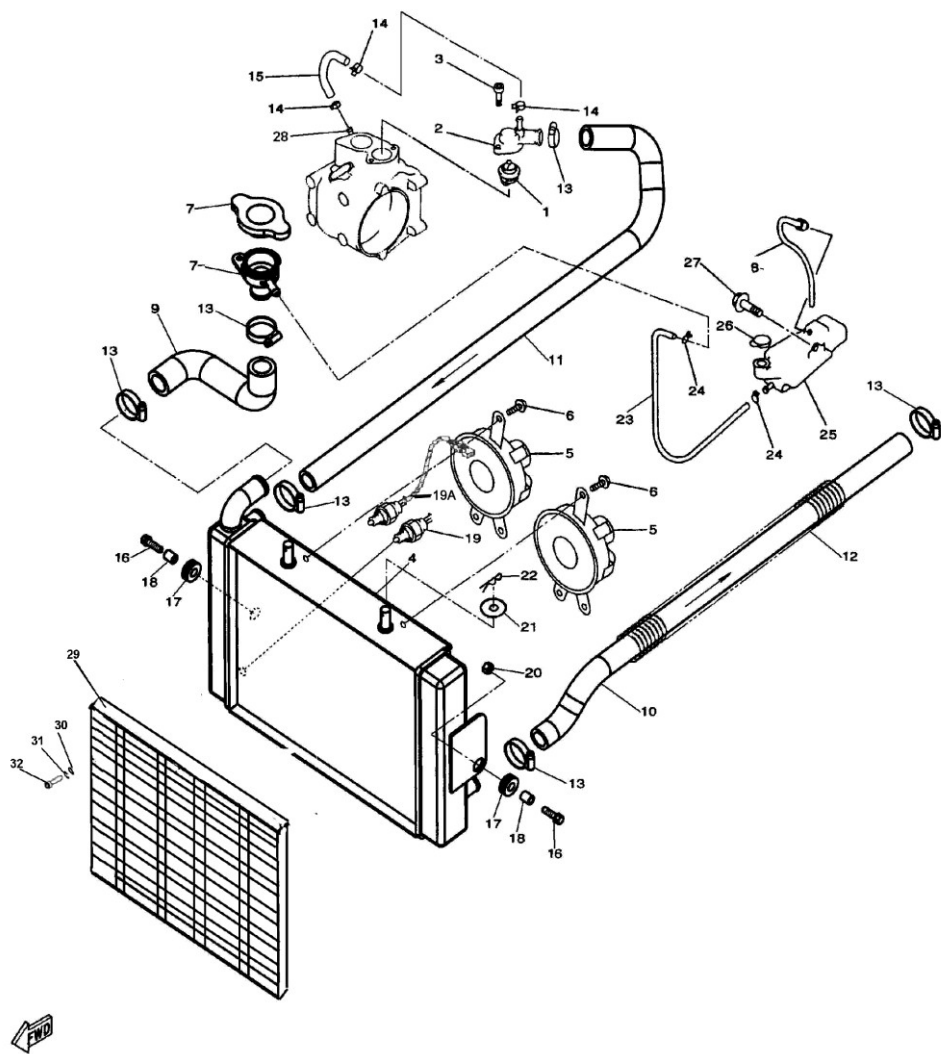


REF. No.	PART NO.	DESCRIPTION	Q'TY
1	22901	THERMOSTAT	1
1	22901A	THERMOSTAT(ONLY FOR ITALY)	1
2	22902	THERMOSTAT COVER	1
3	10085	SOCKET HEAD BOLT M6X25	2
4	22904T	RADIATOR ASSY (THICKER)	1
5	22905	BLOWER ASSY	2
6	10087	FLANGE BOLT M6X9	6
7	22907A	SAFETY VALVE	1
8	23028	PIPE 2	1
9	22909T	RADIATOR FILLER HOSE	1
10	22910T	RETURN HOSE	1
11	22911F	FEED HOSE	1
12	22912	COMPRESSION SPRING	2
13	22913	HOSE CLAMP1	6
14	22914	HOSE CLAMP2	2
15	22915	HOSE1	1
16	10110	BOLT M6X20	2
17	22917	RADIATOR SIDE SUPT GROMMET	2
18	22918	COLLAR	2
19	22919	THERMOSTAT SWITCH ASSY	1
19A	22919A	THERMOSTAT SWITCH ASSY(ONLY FOR ITALY)(USE AFTER C	1
20	10004	NUT M6	2
21	10019	WASHER PLATE 10	2
22	10094	CLIP 2X20	2
23	22923	PIPE 1	1
24	22924	CLIP	2
25	22925	TANK RECOVERY	1
26	22926	CAP	1

29A

# DRAGON FLY 400 Parti di ricambio - agg. 30-12-09

## 24 RADIATOR ( FOR 4WD )

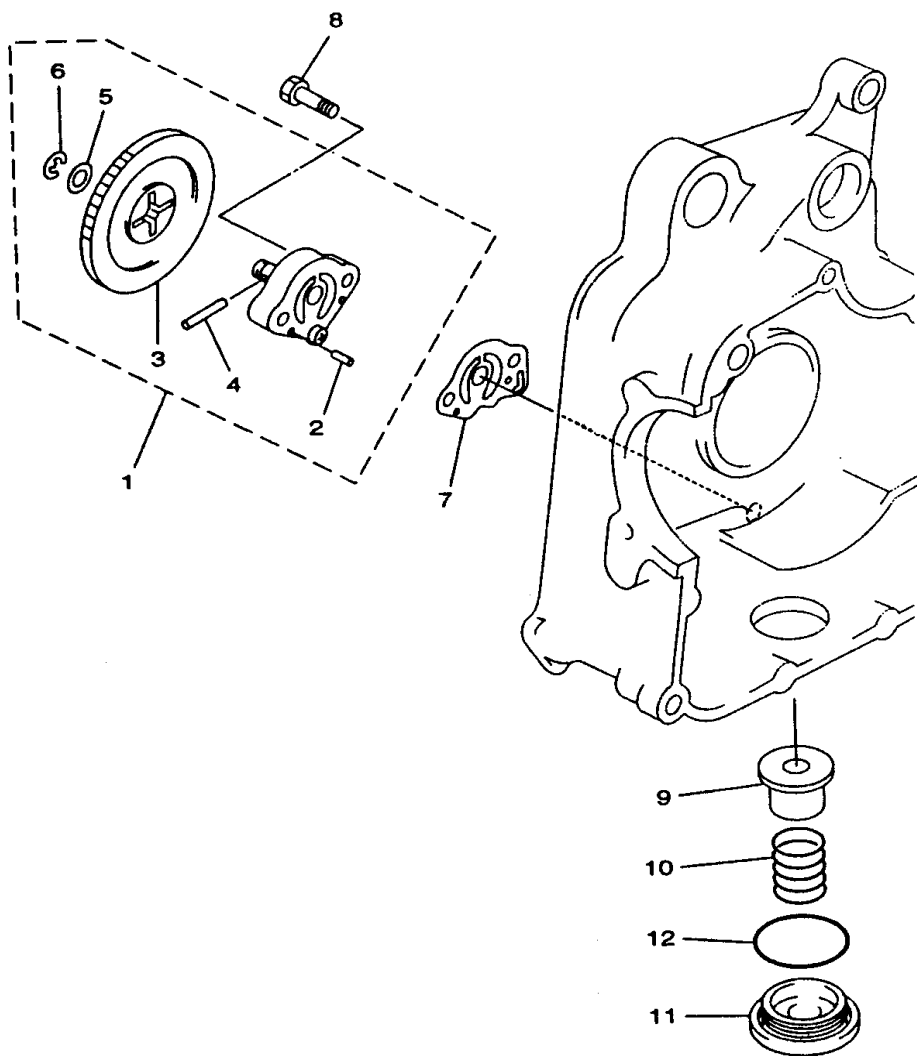


REF. No.	PART NO.	DESCRIPTION	Q'TY
27	10140	BOLT FLANGE M6X12	1
28	23001	JOIN	1
29	23002	FENDER ( USED FOR SPORT )	1
30	10006	WASHER 6 ( USED FOR SPORT )	4
31	10308	SPRING WASHER ( USED FOR SPORT )	4
32	10423	BOLT FLANGE M6X14 ( USED FOR SPORT )	4



# DRAGON FLY 400 Parti di ricambio - agg. 30-12-09

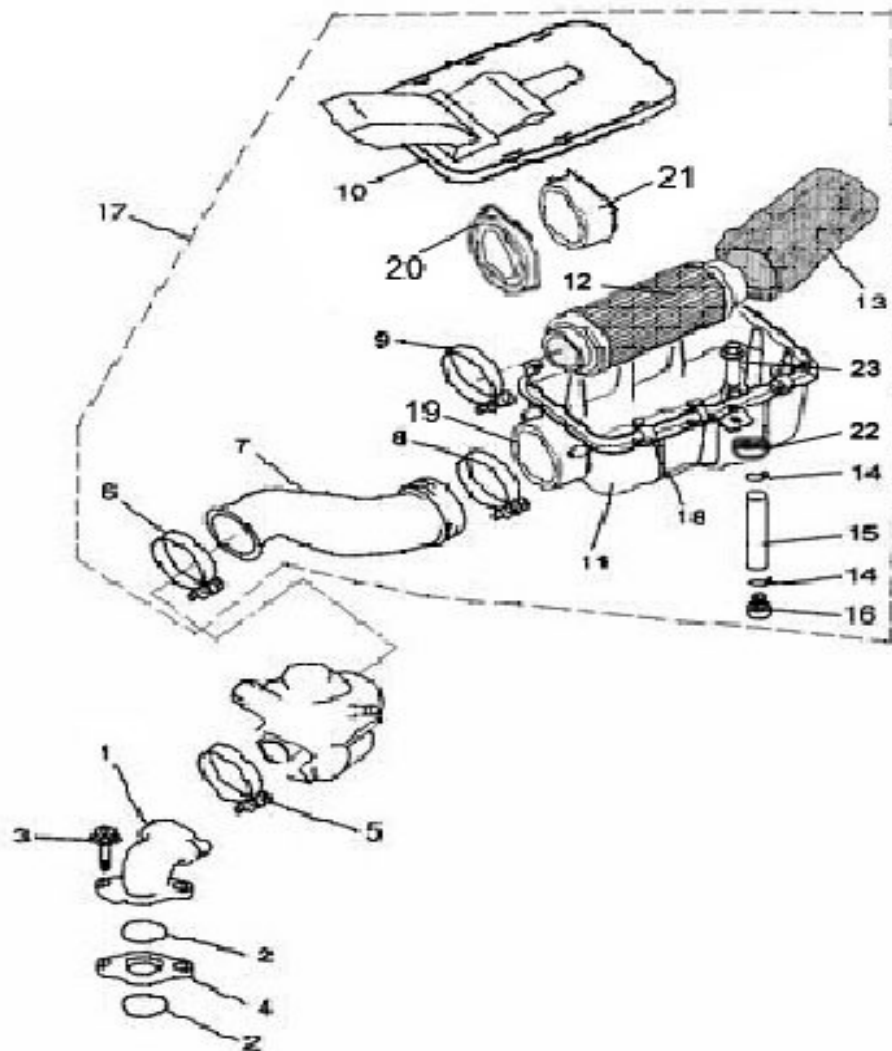
## 25 OIL PUMP



REF. No.	PART NO.	DESCRIPTION	Q'TY
1	27245	OIL PUMP ASSY	1
2	10096	DOWEL PIN 3X12	2
3	23103	GEAR PUMP DRIVEN	1
4	10097	DOWEL PIN C3X22	1
5	23814	WASHER PLATE	1
6	10130	CIRCLIP	1
7	23107	GASKET	1
8	10098	SCREW M6X25	2
9	23109	OIL STRAINER	1
10	23110	COMPRESSION SPRING	1
11	23111	DRAIN PLUG	1
12	23112	O-RING 36X3.5	1

## DRAGON FLY 400 Parti di ricambio - agg. 30-12-09

### 26 AIR CLEANER



REF. No.	PART NO.	DESCRIPTION	Q'TY
1	27219	JOINT CARBURETOR(FOR USA)	
1	27220	JOINT CARBURETOR(FOR EUROPE)	1
2	23202	O-RING 35X2	2
3	10085	SCOKET HEAD BOLT M6X25	2
4	27225	JOINT	1
5	23205	HOSE CLAMP D	1
6	23206	HOSE CLAMP C	1
7	27286	AIR CLEANER JOINT	1
8	23208	HOSE CLAMP B	1
9	23209	HOSE CLAMP A	1
10	23210	COVER AIR CLEANER	1
11	23211	AIR CLEANER CASE1	1
12	23212	ELEMENT COMP AIR CLEANER	1
13	23213	FILTER COVER	1
14	23214	CLIP	2
15	23215	HOSE	1
16	23216	PLUG	1
17	23217	AIR CLEANER ASSY	1
18	23218A	AIR CLEANER COVER CLIP	6
19	25587	JOINT , AIR CLEANER	1
20	25588	WASHER , AIR CLEANER	1
21	25589	JOINT FIXED , AIR CLEANER	1
22	25600	RUBBER WASHER	2
23	10182	BOLT M6X30	2

## DRAGON FLY 400 Parti di ricambio - agg. 30-12-09

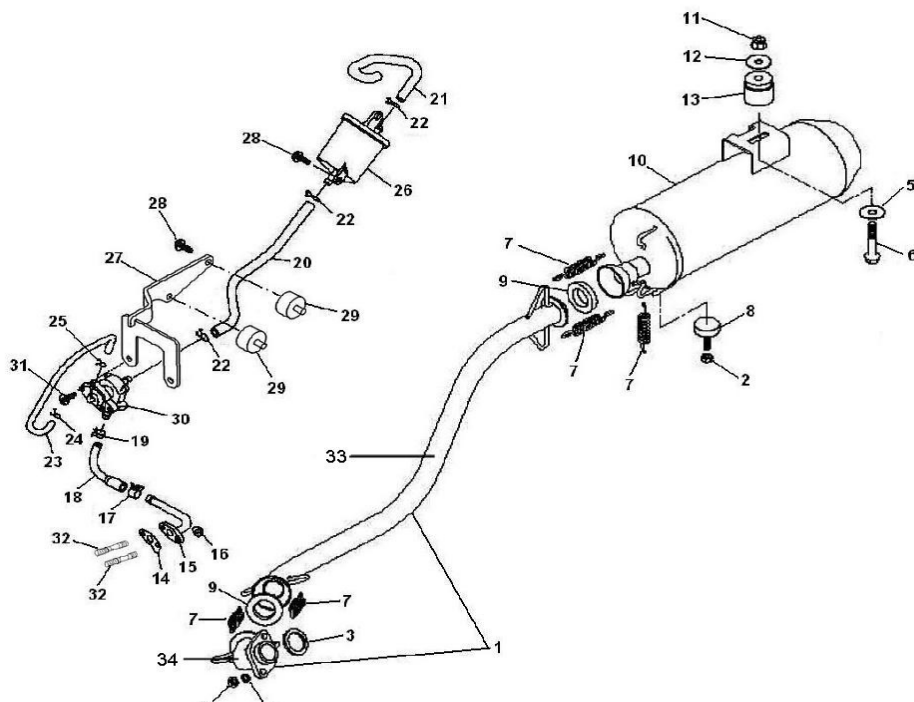
### 27 CARBURETOR



REF. No.	PART NO.	DESCRIPTION	Q'TY
1	27224	CARBURETOR ASSY	1
2	70180	LINE ASSY	1

# DRAGON FLY 400 Parti di ricambio - agg. 30-12-09

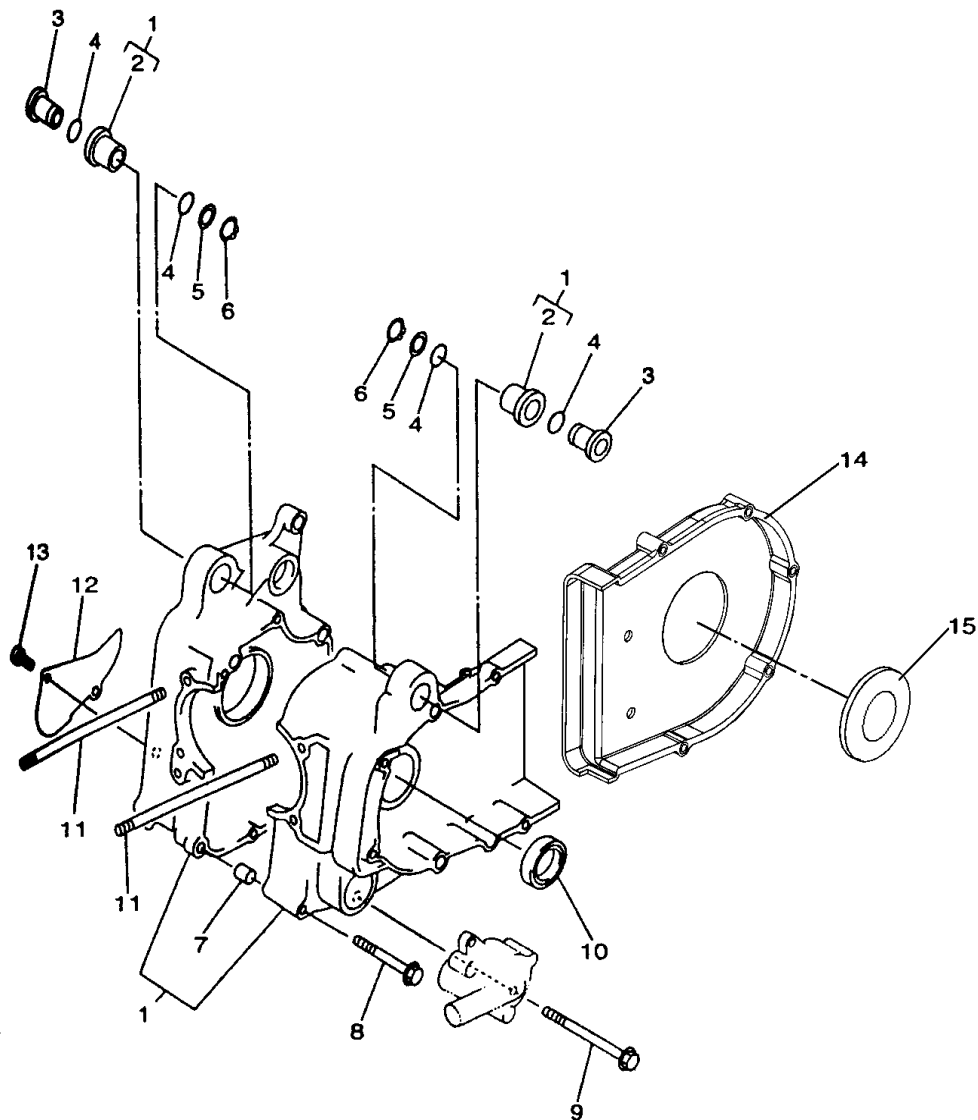
## 28 EXHAUST ( FOR EUROPE )



REF. No.	CODE	DESCRIPTION	Q'TY
1	25200	EXHAUST PIPE	1
2	10099	NUT M8	4
3	23403	EXHAUST PIPE GASKET	1
4	10106	WASHER 8	2
5	10117	WASHER PLATE 10	1
6	10120	BOLT FLANGE M10X1.25X62	1
7	23408	SPRING	5
8	25202	MUFFLER SUPPORT BOTTOM	1
9	25222	JOUNT	1
10	27351	MUFFLER	1
11	10015	NUT M10X1.25	1
12	10117	WASHER PLATE 10	1
13	27352	MUFFLER SUPPORT	1
14	43510	WASHER	1
15	43511A	HOSE	1
16	10004	NUT M6	2
17	43513	CLIP 16	1
18	43512	HOSE C	1
19	43514	CLIP 13	1
20	43525	HOSE B	1
21	43518	HOSE A	1
22	43519	HOSE CLAMP 16	3
23	43520	PIPE	1
24	43521	CLIP 9	1
25	43522	CLIP 7.6	1
26	43523	FILTER	1
27	33227	VALVE BRACKET	1
28	10140	BOLT M6X12	4
29	20316	RUBBER PAD	8
30	43516	VALVE	1
31	10263	BOLT M6X20	2
32	10263	BOLT	2
33	25594	EXHAUST PIPE 1	1
34	25595	EXHAUST PIPE 2	1

# DRAGON FLY 400 Parti di ricambio - agg. 30-12-09

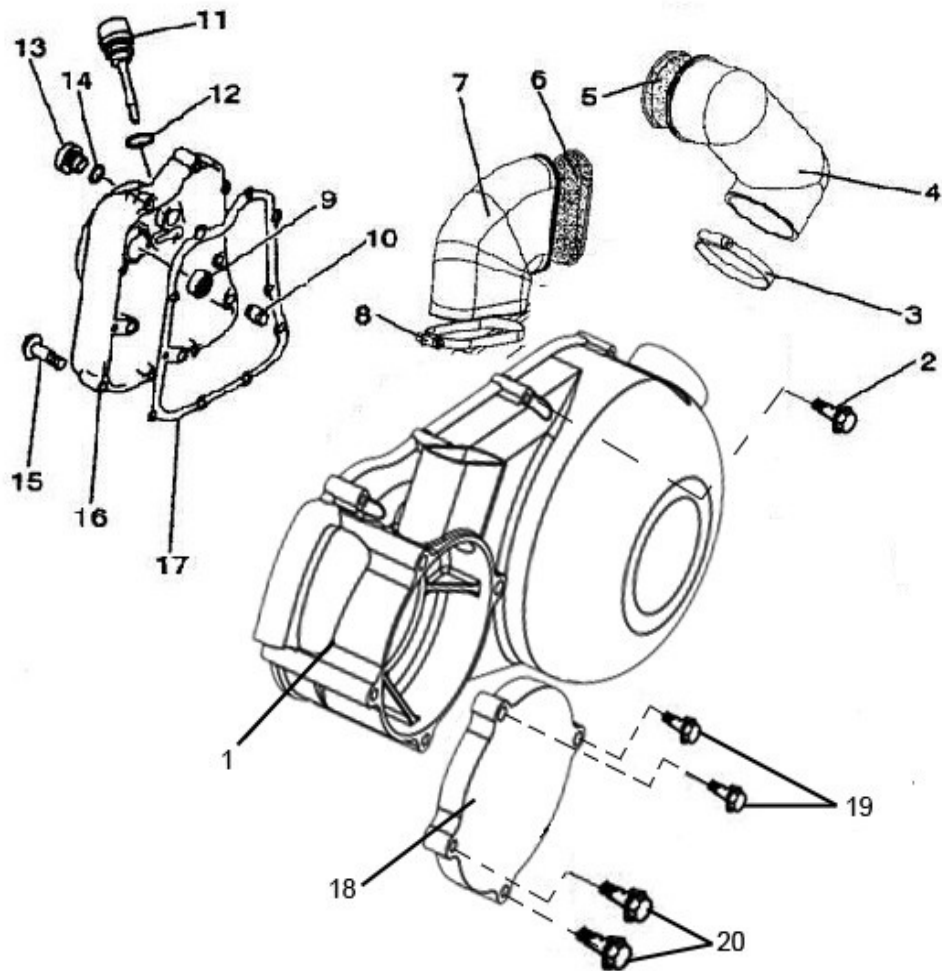
## 29 CRANKCASE



REF. No.	PART NO.	DESCRIPTION	Q'TY
1	27204	CRANKCASE ASSY	1
2	23502	HOLDER	2
3	23503	COLLAR	2
4	23504	O-RING16X2.5	4
5	23505	WASHER PLATE 16	2
6	10121	CIRCLIP 16	2
7	22422	DOWEL PIN 10X14	2
8	23508	FLANGE BOLT M6X70	4
9	23509	FLANGE BOLT M6X100	5
10	23510	OIL SEAL 30X45X5	1
11	27205	STUD BOLT M8X253.6	4
12	23512	COVER CRANKCASE RIGHT	1
13	10036	SOCKET HEAD BOLT M6X14	2
14	27232	REAR INSIDE COVER	1
15	23515	AIRPROOF COVER	1

# DRAGON FLY 400 Parti di ricambio - agg. 30-12-09

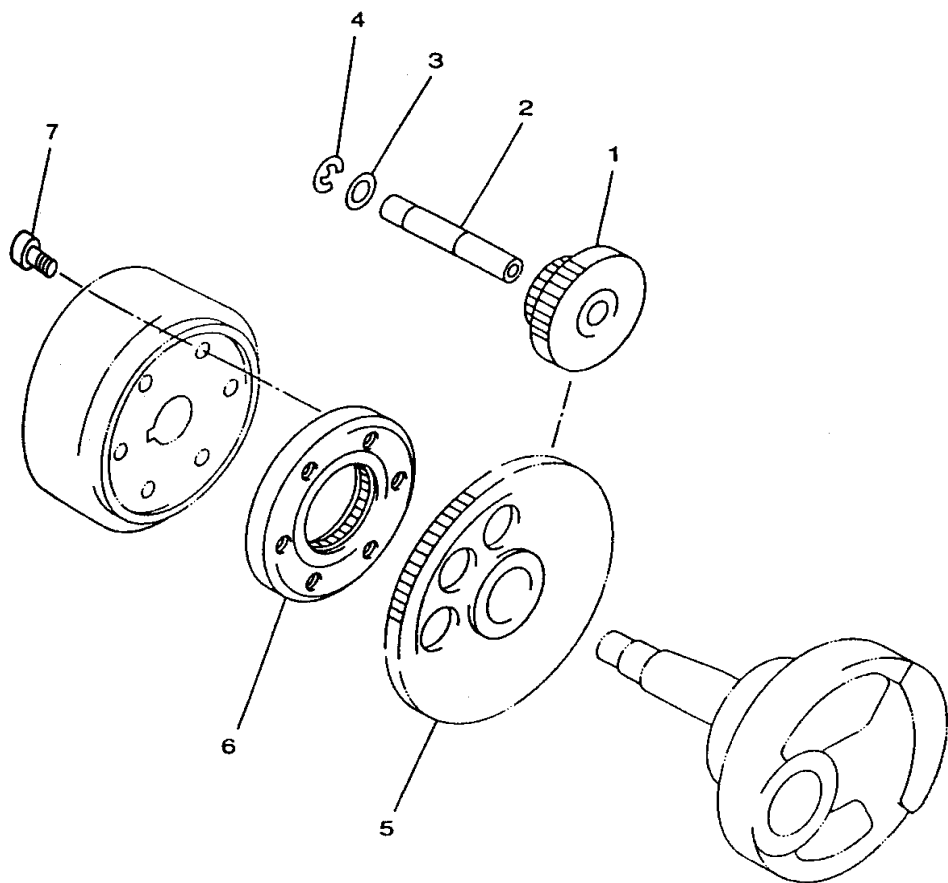
## 30 LEFT & RIGHT COVER



REF. No.	PART NO.	DESCRIPTION	Q'TY
1	27231	COVER CRANKCASE LEFT	1
2	10177	FLANGE BOLT M6X40	6
3	23603	HOSE CLAMP B	1
4	23604	JOINT A	1
5	23605	AIR STRAINER B	1
6	23606	AIR STRAINER A	1
7	23607	JOINT B	1
8	23608	HOSE CLAMP A	1
9	23609	OIL SEAL	1
10	22422	DOWEL PIN 10X14	4
11	23611	OIL PLUG	1
12	10122	O-RING 18X2.65	1
13	23613	OIL PLUG	1
14	10123	O-RING 14X2.65	1
15	23615	FLANGE BOLT M6X40	15
16	23616	CAP COVER	1
	23616A	CAP COVER ( USE WITH HIGH-POWER GENERA	1
17	23617	CRANKCASE COVER GASKET RIGHT	1
18	27233	FRONT COVER	1
19	10110	BOLT M6X20	2
20	27208	BOLT M6X110	2

# DRAGON FLY 400 Parti di ricambio - agg. 30-12-09

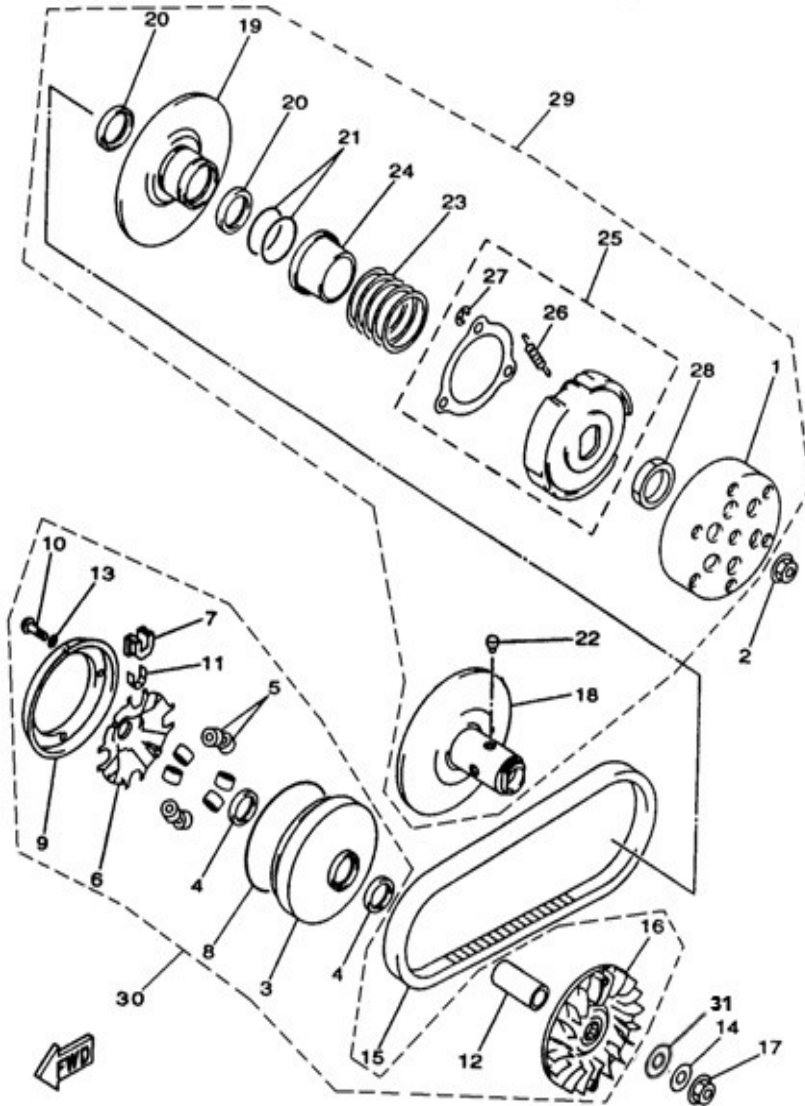
## 31 STARTER



REF. No.	PART NO.	DESCRIPTION	Q'TY
1	23701	GEAR IDLER	1
2	23702	SHAFT	1
3	23703	WASHER 12	1
4	10129	CIRCLIP 12	1
5	23705	GEAR REDUCTION	1
6	23706	STARTER CLUTCH	1
7	10131	SOCKET HEAD BOLT M8X16	3

# DRAGON FLY 400 Parti di ricambio - agg. 30-12-09

## 32 CLUTCH

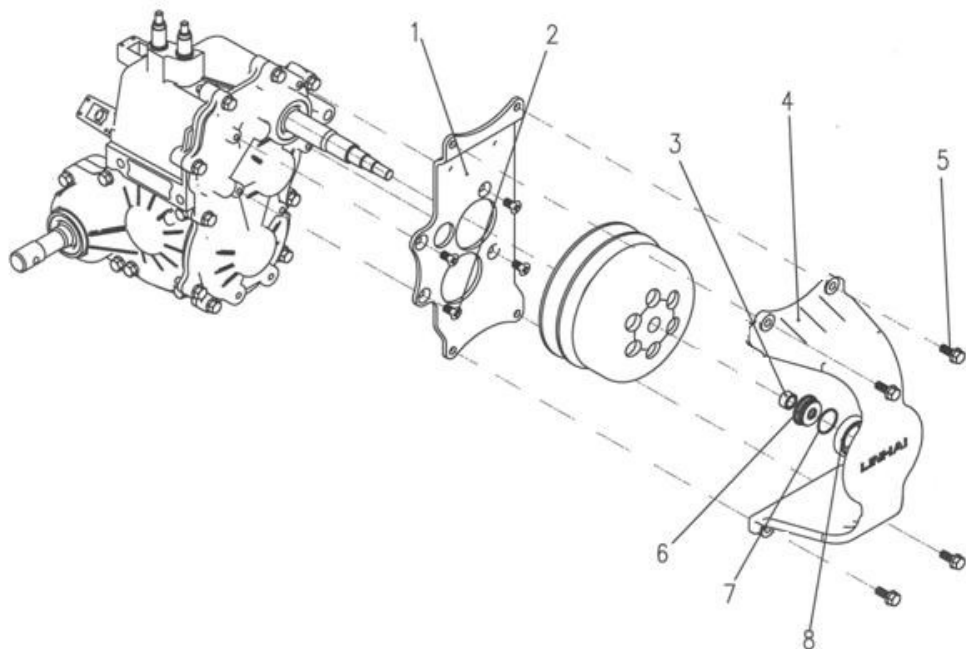


REF. No.	PART NO.	DESCRIPTION	Q'TY
1	27251	CLUTCH HOUSING COMP.	1
2	23802	NUT M14X1	1
3	23803	PRIMARY SLIDING SHEAVE COMP	1
4	23804	OIL SEAL	2
5	23805	WEIGHT	8
6	27246	CAM	1
7	23807	SLIDER	4
8	23808	O-RING 118X2.5	1
9	23809	STOPPER	1
10	10132	PAN HEAD SCREW M4X12	4
11	23811	SPACER 1	4
12	27252	COLLAR	1
13	23813	WASHER PLATE 4	4
14	23814	WASHER PLATE 14	1
15	23815	V-BELT	1
16	27247	SHEAVE PRIMARY FIXED	1
17	23802	NUT M14X1	1
18	23818	SECONDARY FIXED SHEAVE COMP.INCLUDE TWO BEARINGS ONE OIL SEAL AND ONE CIRCLIP	1
19	23819	SECONDARY SLIDING SHEAVE	1
20	23820	OIL SEAL	2
21	23821	O-RING 45X1.8	2
22	23822	PIN GUIDE	4
23	23923	COMPRESSION SPRING	1
24	23924	SEAT SECONDARY SPRING	1
25	27249	CLUTCH CARRIER ASSY	1
26	27250	CLUTCH WEIGHT SPRING 1	3
27	10133	CIRCLIP 8	3
28	23928	NUT M36X1.5	1
29	27248	DRIVEN ASSY COMPLETE	1
30	27254	DRIVE ASSY COMPLETE	1
31	27253	WASHER PLATE 21.5	1



# DRAGON FLY 400 Parti di ricambio - agg. 30-12-09

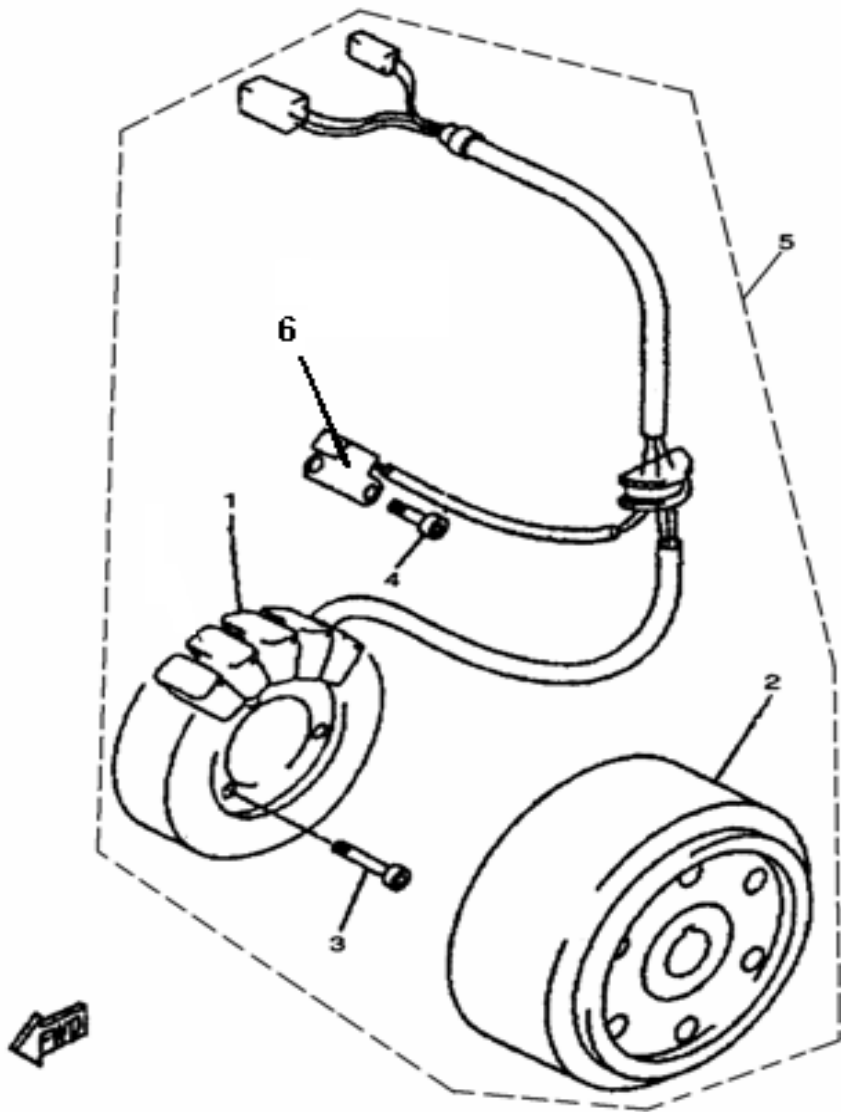
## HIGH-POWER CLUTCH STAND ASSY



REF. No.	PART NO.	DESCRIPTION	Q'TY
1	23941	BRACKET 1	1
2	10424	SWCREW M8X12	4
3	23942	SMALL SPACER	1
4	23943	BRACKET 2	1
5	10425	BOLT M8X22	4
6	23944	SPACER	1
7	10321	O-RING 26.5X1.8	1
8	10426	BEARING 6906Z	1

# DRAGON FLY 400 Parti di ricambio - agg. 30-12-09

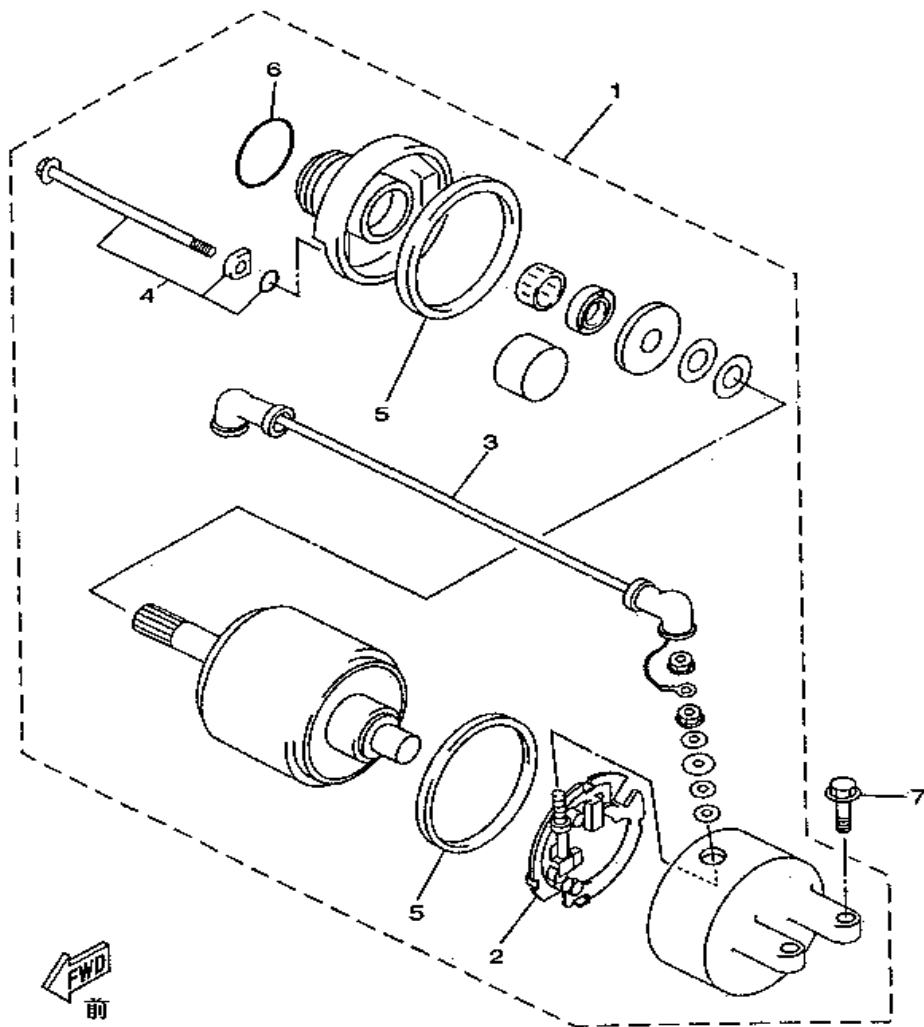
## 33 GENERATOR



REF. No.	PART NO.	DESCRIPTION	Q'TY
1	24001	STATOR ASSY ( THE COLOR OF a IS WHITE )	1
2	27244	ROTOR ASSY ( GREEN COLOR )	1
3	10134	SOCKET HEAD BOLT M5X25	3
	10085	SOCKET HEAD BOLT M6X25 ( FOR HEAVY POWER OR EFI)	3
4	10135	SOCKET HEAD BOLT M5X12	2
5	27243	GENERATOR ASSY	1
6	24006	PICK UP COIL	1

# DRAGON FLY 400 Parti di ricambio - agg. 30-12-09

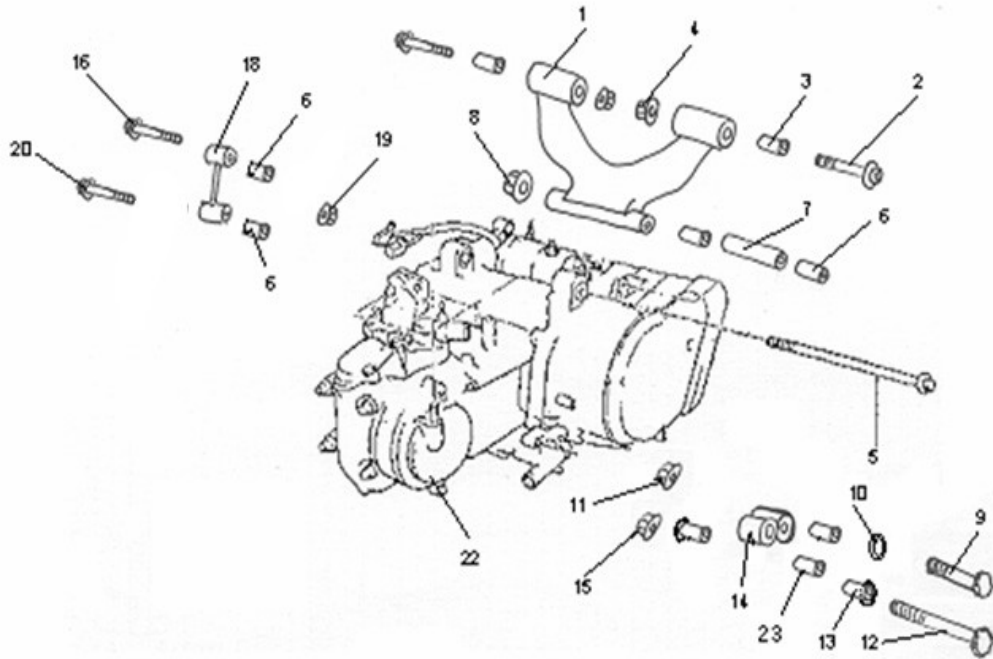
## 34 STARTING MOTOR



REF. No.	PART NO.	DESCRIPTION	Q'TY
1	24101	STARTING MOTOR ASSY	1
2	24102	BRUSH HOLD ASSY	1
3	24103	CORD,STARTER MOTOR	1
4	24104	BOLT	2
5	24105	GASKET	2
6	24106	O-RING 24.5X3	1
7	24107	FLANGE BOLT M6X25	2

# DRAGON FLY 400 Parti di ricambio - agg. 30-12-09

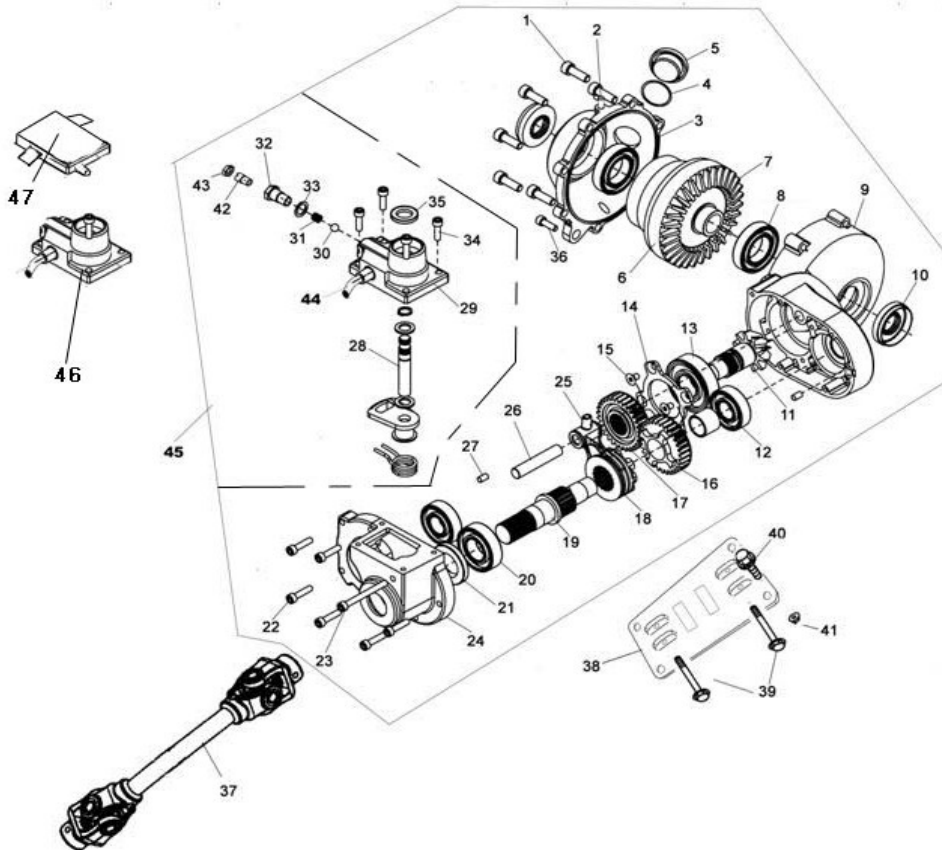
## 35 ENGINE



REF. No.	PART NO.	DESCRIPTION	Q'TY
1	27291	FRONT ENGINE MOUNT BRACKET	1
2	24202	ENGINE BRACKET BOLT	2
3	24203	BUSHING ENGING BRACKET1	2
4	10136	NUT M12X1.25	2
5	27294	ENGINE MOUNTING BOLT	1
6	24206	BUSHING ENGING BRACKET2	4
7	27293	SPACER ENGINE BRACKET	1
8	10015	NUT M10X1.25	1
9	10016	BOLT M10X1.25X55	1
10	27295	WASHER	1
11	10015	NUT M10X1.25	1
12	10137	BOLT M8X120	1
13	24213	LEFT SPACER	2
14	24214	STAY ENGINE LEFT	1
15	10079	NUT M8	1
16	10138	BOLT M10X1.25X68	1
18	24218	STAY ENGINE RIGHT	1
19	10015	NUT M10X1.25	1
20	10139	BOLT M8X65	1
22	27218	ENGINE ASSY	1
23	24223	BUSHING	2

# DRAGON FLY 400 Parti di ricambio - agg. 30-12-09

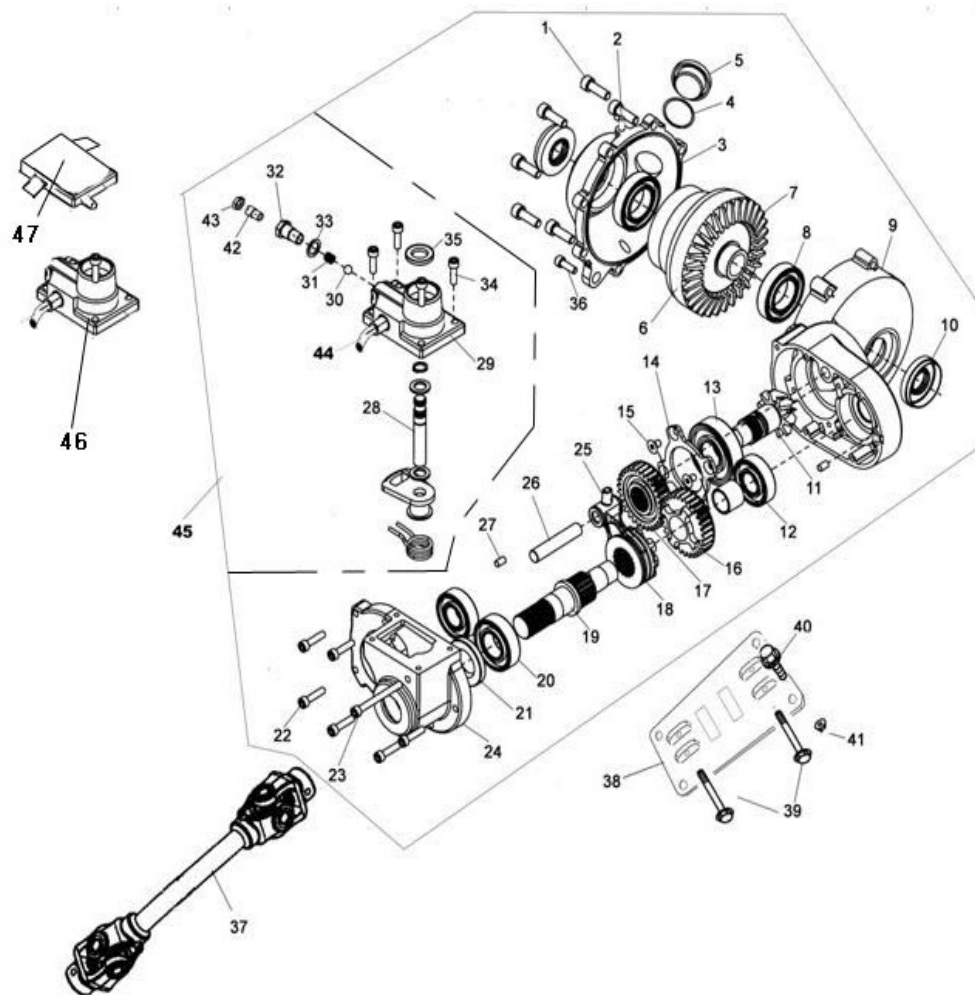
## 36 FRONT GEAR-BOX ( FOR 4WD )



REF. No.	PART NO.	DESCRIPTION	Q'TY
1	10059	BOLT M8X25	7
2	24302	VENT FITTING	1
3	24303	LEFT COVER	1
4	10122	O-RING 18X2.65	1
5	24305	DIFF FILLERPLUG	1
6	24306	FOC BODY	1
7	24307	BEVEL CROWNWHEEL	1
8	10202	BEAR 6006	2
9	24309	DIFFCASE RHS	1
10	24310	SEAL SDD722X48X11	2
11	24311	CONICAL WITH HELICAL GEARING	1
12	10062	BEAR 6204	2
13	10074	BEAR 6305ST	1
14	24314	CASEBEAR RETAINER	1
15	10287	SCREW M6X12	4
16	24316	DIFF GEAR	1
17	24317	DIFF GEAR DRIVEN	1
18	24318	SPLINED DOG	1
19	24319	DIFF INPUTSHAFT A	1
20	10267	BEAR 6205	1
21	24321	SEAL TC25X47X7	1
22	10182	BOLE M6X30	6
23	10160	BOLE M6X70	1
24	24324	REAR COVER	1
25	24325	DIFF SELECTOR FORK	1
26	24326	SELECTOR RAIL	1
27	24327	PIN	1
28	24328	SELECTOR SHAFT	1

# DRAGON FLY 400 Parti di ricambio - agg. 30-12-09

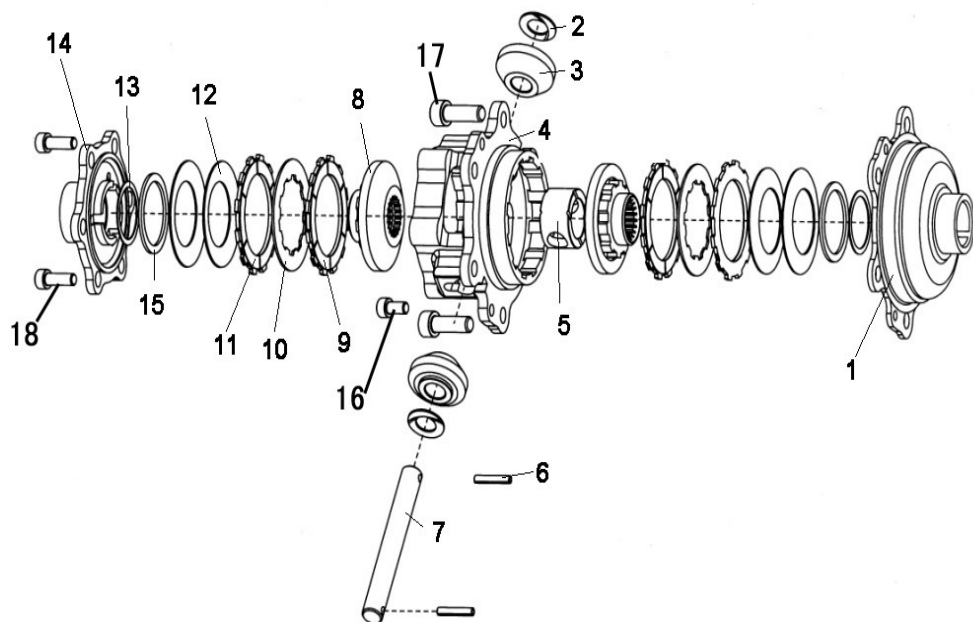
## 36 FRONT GEAR-BOX ( FOR 4WD )



REF. No.	PART NO.	DESCRIPTION	Q'TY
29	24429	SELECTOR COVER	1
30	10203	STEEL BALL 8	1
31	24431	SPRING	1
32	24433	INDENT BALL INSERT	1
33	24432	WASHER	1
34	10183	BOLT M6X16	4
35	24435	SEAL TC12X28X7	1
36	10168	BOLT M8X16	1
37	24437	FRONT PROPSHAFT ASSY	1
38	24438	FRONT GEAR-BOX BACKSTOP	1
39	10208	BOLT M10X1.25X43	2
40	10163	BOLT M10X1.25X20	4
41	10209	NUT M10	6
42	10355	BOLT M8X1X16	1
43	10356	NUT M8X1	1
44	24444	4WD AND 2WD SWITCH	1
45	24445	FRONT GEAR-BOX	1
46	24446	2WD/4WD SHIFT MOTOR(USED WITH 2WD / 4WD)	1
47	24447	2WD/4WD SHIFT ELECTRONIC CONTROLER(USED WITH 2WD / 4WD)	1

# DRAGON FLY 400 Parti di ricambio - agg. 30-12-09

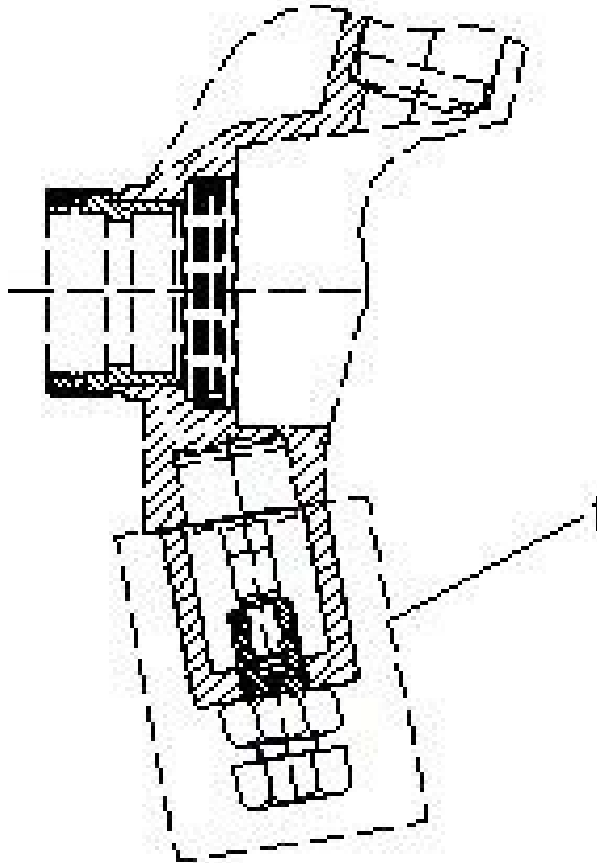
## 39 FOC BODY ( FOR 4WD )



REF. No.	PART NO.	DESCRIPTION	Q'TY
1	24701	LARGER COVER	1
2	24702	WASHER	2
3	24703	PINION	2
4	24704	HOUSING	1
5	24705	CENTER SPACER	1
6	10003	ROLL PIN	2
7	24707	CENTER PIN	2
8	24708	BEVEL GEAR	2
9	24709	CLUTCH PLATE OUTER DOUBLE	2
10	24710	CLITCH PLATE INNER	2
11	24711	CLUTCH PLATE OUTER SINGLE	2
12	24712	DISHED SPRING	4
13	24713	WASHER	2
14	24714	SMALL COVER	1
15	24715	SPING SEAT	2
16	10083	SCREW M6X15	2
17	10131	SCREW M8X16	6
18	24718	BOLT M8X15	6

# DRAGON FLY 400 Parti di ricambio - agg. 30-12-09

## 40 SPECIAL TOOL KIT



REF. No.	PART NO.	DESCRIPTION	Q'TY
1	24801	TOOL FOR BALL JOINT,STRUT REMOVAL	1