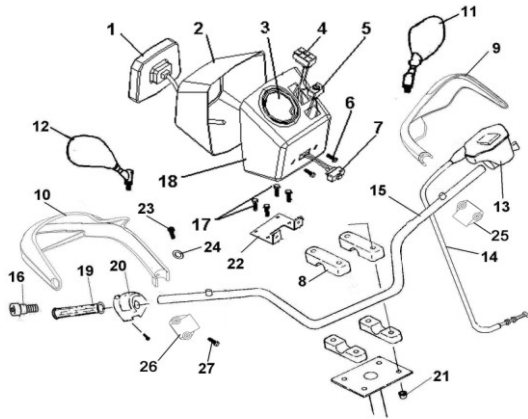


1 HANDLEBAR (FOR SPORT)

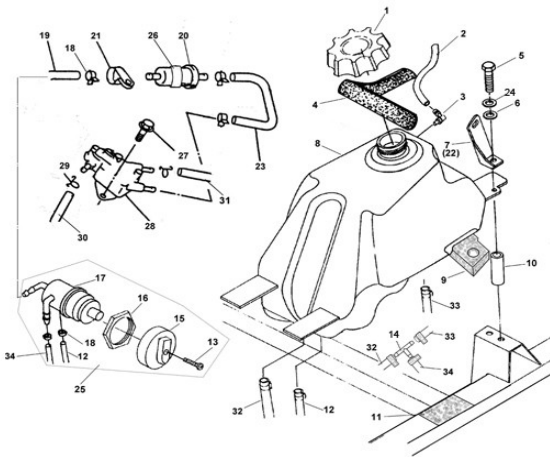
If you need HANDLEBAR which can be installed with the rear mirror, then you must speak for handlebar and rear mirror holder No.27, 28, 29 (SEE PAGE 1A)



REF. No.	PART NO.	DESCRIPTION	Q'TY
1	60101	HEADLIGHT ASSEMBLY	1
2	60102	SPEEDOMETER FRONT COVER	1
3	30101s	SPEEDOMETER	1
4	30104a	WARNING LIGHT HIGH TEMP/DIRECTION(FOR 2WD)	1
	30104b	WARNING LIGHT HIGH TEMP/DIRECTION(FOE 4WD)	1
5	60105	IGNITION SWITCH	1
6	10140	BOLT M6X12	2
7	60106	HAZARD LIGHT SWITCH	1
8	20112a	HANDLEBAR CLAMP	4
9	30120s	HANDLEBAR COVER RIGHT	1
10	30121s	HANDLEBAR COVER LEFT	1
11	30118	REAR VIEW MIRROR RIGHT	1
12	30117	REAR VIEW MIRROR LEFT	1
13	20109	THROTTLE CONTROL (WITHOUT STOP SWITCH) (USED WITH MECHANICAL SHIFT)	1
14	20114	THROTTLE CABLE	1
15	30109s	HANDLEBAR	1
16	30119	GRIP END.	2
17	10144	BOLT M8X60	2
18	60115	SPEEDOMETER REAR COVER	1
19	30515	GRIP	2
20	30114	SWITCH ASSY	1
21	10079	NUT M8	4
22	60113	WARNING LIGHT BRACKET	1
23	10002	WASHER 5	2
24	10180	SWCREW M5X10	2
25	30126	HANDLEBAR COVER CLAMP RIGHT	1
26	30127	HANDLEBAR COVER CLAMP LEFT	1
27	10178	SCREW ST4.2X13	4
28	30123	WARNING LIGHT BULB ONLY 1.2V 1.7W	1

1B

2 FUEL TANK



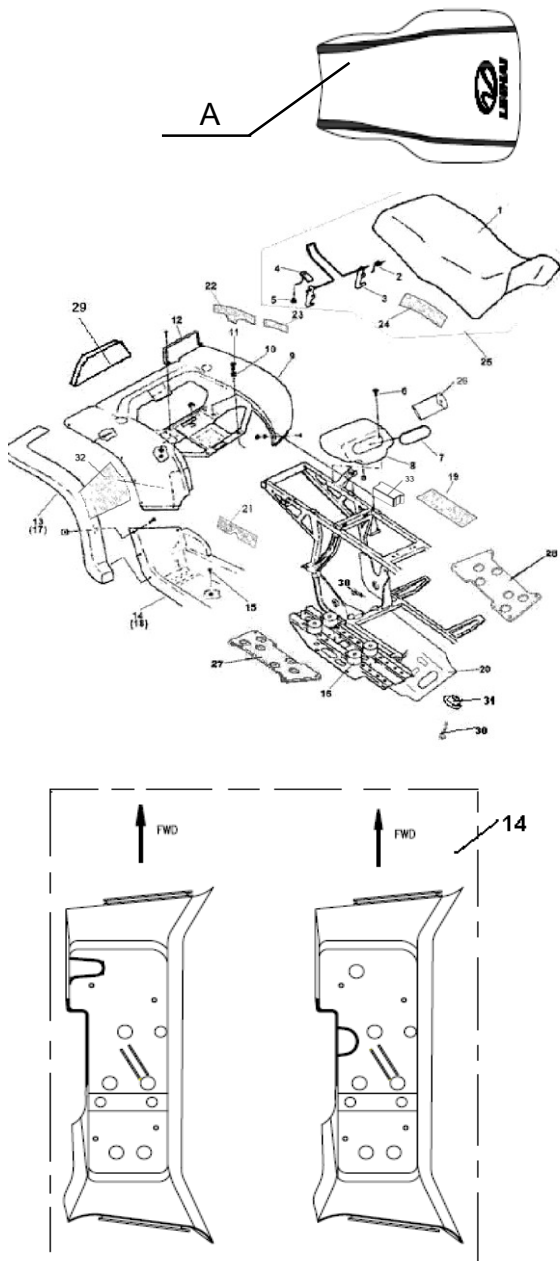
REF. No.	PART NO.	DESCRIPTION	Q'TY
1	20201	FUEL CAP	1
2	20202	VENT TUBE	1
3	20203	VENT FITTING	1
4	20204	FOAM GASKET	1
5	10005	BOLT M6X60	2
6	10006	WASHER 6	2
7	20207	MOUNTING BRACKET LEFT	1
8	20208a	FUEL TANK	1
9	20209	FOAM PAD	1
10	20210	SPACER	2
11	20211	MOUNTING PAD	2
12	20212	FUEL HOSE	1
13	10007	SCREW M4	1
14	30235	FUEL HOSE COUPLER	2
15	20215	FUEL CONTROL KNOB (RED)	1
		FUEL CONTROL KNOB (BLACK)	1
		FUEL CONTROL KNOB (GREEN)	1
16	20216	NUT	1
17	20217	FUEL VALVE	1
18	20218	HOSE CLAMP 1	9
19	20219	FUEL LINE 2	1
20	20220	FUEL FILTER	1
21	20221	CLAMP	1
22	20222	MOUNTING BRACKET RIGHT	1
23	20223	FUEL LINE 1	1
24	10308	WASHER 6	2
25	20225	FUEL VALVE ASSY (RED)	1
		FUEL VALVE ASSY (BLACK)	
		FUEL VALVE ASSY (GREEN)	
26	20226	FUEL FILTER PAD	1
27	10140	BOLT M6X12	2
28	20228	FUEL PUMP ASSY	1
29	20229	HOSE CLAMP 2	7
30	20230	FUEL LINE 3	1
31	20231	PIPE	1
32	30232	FUEL HOSE 1	1
33	30233	FUEL HOSE 2	1
34	30234	FUEL HOSE 3	1

THERE ARE TOW FULL FITTINGS ON THE FUEL TANKS AND THE SHORTER ONE IS KEPT IN RESERVE.

THERE ARE TOW FULL FITTINGS ON THE FUEL TANKS AND TI

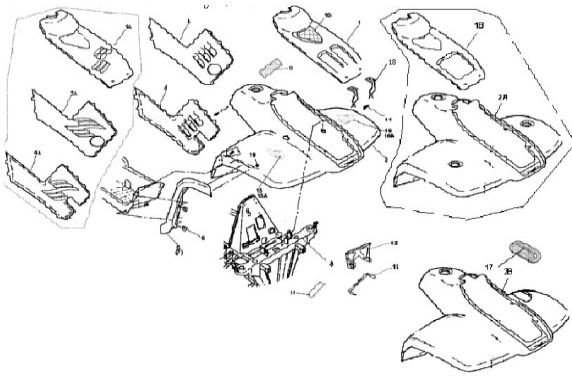
2
2

3 REAR FENDERS



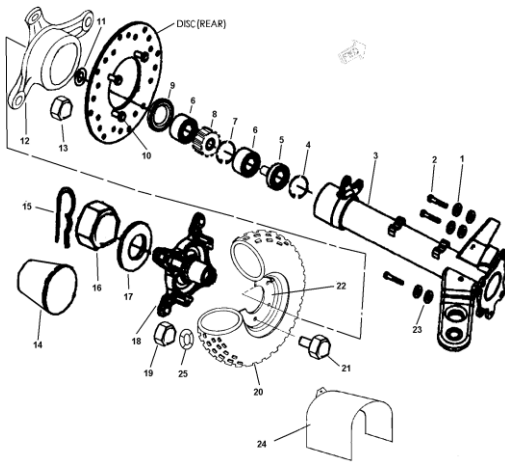
REF. No.	PART NO.	DESCRIPTION	Q'TY
1	20301	SEAT(ALL BLACK)	1
	2030101	LEATHER COVER (ALL BLACK)	1
	20301RE	SEAT (RED IN A AREA)	1
	2030101RE	LEATHER COVER (RED IN A AREA)	1
	20301YW	SEAT (YELLOW IN A AREA)	1
	2030101YW	LEATHER COVER (YELLOW IN A AREA)	1
	20301 O.	SEAT (ORANGE IN A AREA)	1
	2030101 O.	LEATHER COVER (ORANGE IN A AREA)	1
	20301GR	SEAT (GREEN IN A AREA)	1
	2030101GR	LEATHER COVER (GREEN IN A AREA)	1
	20301BK	SEAT (BLACK IN A AREA)	1
	2030101BK	LEATHER COVER (BLACK IN A AREA)	1
2	20302	SPRING	2
3	20303	LATCH ASSEMBLY	1
4	20304	RETAINER CLIP	2
5	10009	SCREW ST4.8X16	4
6	10010	BOLT M6X15	2
7	20307	STORAGE BOX COVER	1
8	20308	STORAGE BOX	1
9	20309BU	REAR FENDERS(BU)	1
	20309SI	REAR FENDERS(SI)	1
	20309GN	REAR FENDERS(GN)	1
	20309RE	REAR FENDERS(RE)	1
	20309GY	REAR FENDERS(GY)	1
	20309BK	REAR FENDERS(BK)	1
	20309YW	REAR FENDERS(YW)	1
	20309BUa	REAR FENDERS(BU)(FOR 50TH)	1
	20309Sla	REAR FENDERS(SI)(FOR 50TH)	1
	20309GNa	REAR FENDERS(GN)(FOR 50TH)	1
	20309REa	REAR FENDERS(RE)(FOR 50TH)	1
	20309GYa	REAR FENDERS(GY)(FOR 50TH)	1
	20309BKa	REAR FENDERS(BK)(FOR 50TH)	1
	20309 O a	REAR FENDERS (ORANGR) (FOR 50TH)	1
	20309YWa	REAR FENDERS(YW)(FOR 50TH)	1
10	10011	WASHER 6	4
11	10010	BOLT M6X15	42
12	20312	LATCH BRACKET	1
13	20313a	REAR MUD GUARD RIGHT	1
14	20314a	FOOTREST RIGHT (BRAKE PEDAL IN THE MIDDLE OF THE	1
	20314b	FOOTREST RIGHT (BRAKE PEDAL IN THE FRONT OF THE	1
15	20315	BOLT M6X20	14
16	20316	RUBBER PAD	14
17	20317a	REAR MUD GUARD LEFT	1
18	20318a	FOOTREST LEFT	1
19	20319	BATTERY MOUNTING PAD	3
20	20320	PLASTIC PLATE	1
21	20321	FOOTREST RIGHT ADIABATIC	1
22	20322	REAR MUD ADIABATIC PELLICLE A	2
23	20323	REAR MUD ADIABATIC PELLICLE B	2
24	20324	SEAT ADIABATIC PELLICLE	2
25	20325	SEAT ASSY	1
26	20326	TOOL	1
27	20327	FOOTBOARD SUPPORT-RIGHT	1
28	20328	FOOTBOARD SUPPORT-LEFT	1
29	20329	REAR COVER (FOR 50TH)	1
30	10191	BOLT M6X18	9
31	20331	WASHER 6	7
32	20332	REAR FENDER ADIABATIC	1
33		BATTERY COVER	1

4 FRONT BODY&FRAM



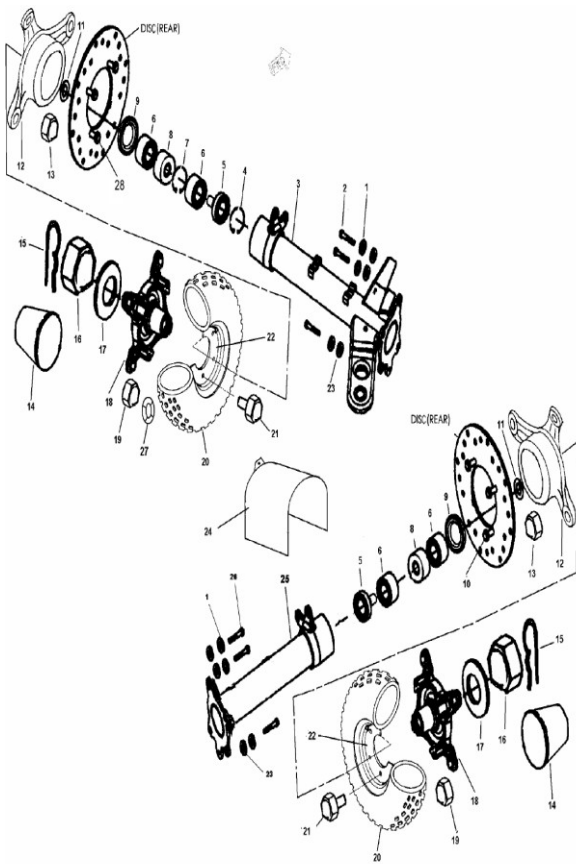
REF. No.	PART NO.	DESCRIPTION	Q'TY
1	20401a	FRONT COVER (COMMON)	1
1A	20401b	FRONT COVER("S"SHAPE)	1
1B	20401C	FRONT COVER (FOR 50TH)	1
2	20402	FRONT BODY(RED)	1
		FRONT BODY(YELLOW)	1
		FRONT BODY(BLACK)	1
		FRONT BODY(GREEN)	1
		FRONT BODY(BLUE)	1
		FRONT BODY (SILVER)	1
		FRONT BODY(GRAY)	1
	20402S	FRONT BODY (FOR SPORT) (RED)	1
		FRONT BODY (FOR SPORT) (YELLOW)	
		FRONT BODY (FOR SPORT) (BLACK)	
		FRONT BODY (FOR SPORT) (GREEN)	
		FRONT BODY (FOR SPORT) (BLUE)	
		FRONT BODY (FOR SPORT) (SILVER)	
		FRONT BODY (FOR SPORT) (GRAY)	
2A	20402 Oa	FRONT BODY (FOR 50TH) (ORANGE)	1
	20402REa	FRONT BODY (FOR 50TH) (RED)	1
	20402YWa	FRONT BODY (FOR 50TH) (YELLOW)	1
	20402BKa	FRONT BODY (FOR 50TH) (BLACK)	1
	20402GRa	FRONT BODY (FOR 50TH) (GREEN)	1
2B	20402b	FRONT BODY (FOR MECHANICAL BRAKE)	1
3	20403a	SIDE COVER LEFT	1
3A	20403b	SIDE COVER LEFT("S"SHAPE)	1
4	20404a	SIDE COVER RIGHT	1
4A	20404b	SIDE COVER RIGHT("S"SHAPE)	1
5	20405a	MUD GUARD RIGHT	1
6	10004	SPRING NUT	40
7	20407a	MUD GUARD LEFT	1
8	20408	FRAME COMP.(USE WITH OLD A ARM)	1
	20408W	FRAME COMP.(FOR 50TH)	1
9	20409	FRONT BODY FOAM	1
10	20410	SMALL FRONT COVER	1
11	10009	SCREW ST4.8X16	2
12	20412	UP BRACKET RADIATOR	1
13	20413a	DOWN BRACKET RADIATOR(USE WITH OLD FRAME COMP No.20408)	1
14	20414	SPACER RUBBER	1
15	20415	ORNAMENTAL RIGHT (FOR SPORT)	1
15A	20415a	ORNAMENTAL RIGHT (RUBBER) (FOR SPORT)	1
16	20416	ORNAMENTAL LEFT (FOR SPORT)	1
16A	20416a	ORNAMENTAL LEFT (RUBBER) (FOR SPORT)	1
17	20419	RUBBER CUSHION (FOR MECHANICAL BRAKE)	1
18	20421	CLAMP ("Ω" SHAPE)	2
19		CLAMP	2

9 WHEEL REAR



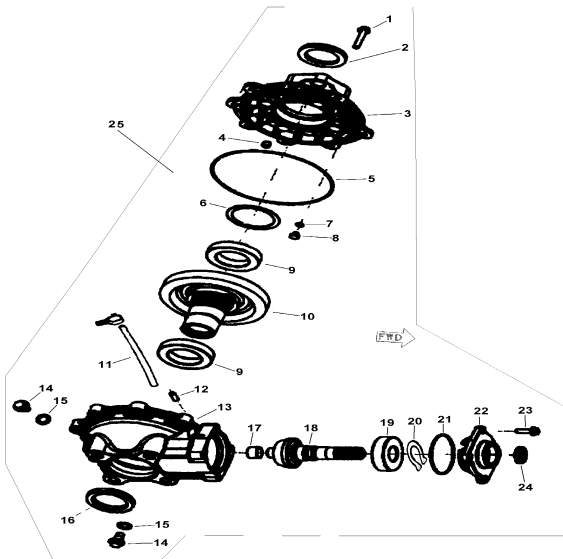
REF. No.	PART NO.	DESCRIPTION	Q'TY
1	10054	WASHER 12	8
2	10045	BOLT M12X30	8
3	21003	AXLE TUBE AND HITCH ASSEMBLY	1
	21003a	AXLE TUBE AND HITCH ASSEMBLY(ONLY FOR MECHANICAL BRAKE)	1
4	21004	RING RETAINER INT	1
5	21005	SPACER	1
6	10046	BEARING BALL DBL SEAL	2
7	10047	RING RETAINER INT	1
8	31008	SPACER-BEARING	1
9	21009	SEAL REAR AXLE	2
10	10048	BOLTS M10X1.25X20	6
11	10029	O-RING	1
12	21012	HUB BRAKE DISC MACH	1
13	10050	NUT M10X1.25	6
14	21014	AXLE CAP	2
15	10051	COTTER PIN	2
16	10142	NUT SLOTTED M20X2	2
17	21017	WASHER	2
18	21018	WHEEL HUB	2
19	21019	LUG NUT M12X1.25	8
	21019a	LUG NUT M12X1.25 (FOR SPORT)	8
20	31020	TIRE REAR	2
21	10053	WHEEL STUD M12X1.25X45	8
	10053s	WHEEL STUD M12X1.25X45 (FOR SPORT)	8
22	21022b	WHEEL REAR (IRON AND BLACK)	2
	21022REb	WHEEL REAR (IRON AND BLACK WITH RED)	2
	21022Ywb	WHEEL REAR (IRON AND BLACK WITH YELLOW)	2
	21022 O.b	WHEEL REAR (IRON AND BLACK WITH ORANGE)	2
	21022GRb	WHEEL REAR (IRON AND BLACK WITH GREEN)	2
	21022a	WHEEL REAR (IRON AND ARGENTINE)	2
	21022s	WHEEL REAR(ALUMINIUM)	2
23	10032	WASHER 12	8
24	31024	BRAKE HOSE COVER	1
25	21026	WHEEL WASHER	8

9 WHEEL REAR (FOR MECHANICAL BRAKE)



REF. No.	PART NO.	DESCRIPTION	Q'TY
1	10032	WASHER 12	8
2	10045	BOLT M12X30	4
3	21003	AXLE TUBE AND HITCH ASSEMBLY	1
	21003a	AXLE TUBE AND HITCH ASSEMBLY(ONLY FOR MECHANICAL BRAKE)	1
4	21004	RING RETAINER INT	2
5	21005	SPACER	2
6	10046	BEARING BALL DBL SEAL	4
7	10047	RING RETAINER INT	1
8	21008	SPACER-BEARING	2
9	21009	SEAL REAR AXLE	2
10	10048	BOLTS M10X1.25X20	3
11	10221	O-RING	2
12	21012	HUB BRAKE DISC MACH	2
13	10050	N UT M10X1.25	3
14	21014	AXLE CAP	2
15	10051	COTTER PIN	2
16	10142	NUT SLOTTED M20X2	2
17	21017	WASHER	2
18	21018	WHEEL HUB	2
19	21019	LUG NUT M12X1.25	8
	21019a	LUG NUT M12X1.25 (FOR SPORT)	8
20	21020	TIRE REAR	2
21	10053	WHEEL STUD M12X1.25X45	8
	10053s	WHEEL STUD M12X1.25X45 (FOR ALUMINUM WHEELS)	8
22	21022b	WHEEL REAR (IRON AND ARGENTINE)	2
	21022a	WHEEL REAR (IRON AND ARGENTINE)	2
	21022s	WHEEL REAR(ALUMINIUM) (FOR SPORT)	2
23	10054	WASHER 12	8
24	21024	BRAKE HOSE COVER	1
25	21025	AXLE TUBE AND HITCH ASSEMBLY	1
26	10033	BOLT M12X35	4
27	21026	WHEEL WASHER	8
28		BOLT,REAR DISK	3

10 REAR GEAR-BOX



REF. No.	PART NO.	DESCRIPTION	Q'TY
1	10055	BOLT M8X45	2
2	21102	SEAL 50X70X8	1
3	21103	OUTPUT COVER	1
4	21104	DOWEL PIN	1
5	21105	O-RING 176X2.65	1
6	21106	SHIM	1
7	21107	SHIM D	1
8	21108	THRUST BUTTON	1
9	10056	BEARING 110	2
10	21110	RING GEAR	1
11	21111	VENT	1
12	21112	HOSE FITTING	1
13	21113	DRIVE HOUSING	1
14	21114	OIL PLUG	2
15	21115	WASHER	2
16	21102	SEAL 50X70X8	1
17	10057	BUSHING P23X20X15	1
18	21118	PINION SHAFT	1
19	10058	BEARING 6306ST	1
20	21120	RETAINER 30	1
21	20901	O-RING 79X4	1
22	21122	INPUT COVER	1
23	10059	BOLT M8X25	10
24	21124	SEAL 25X35X5	1
25	21125	REAR GEARBOX ASSY	1

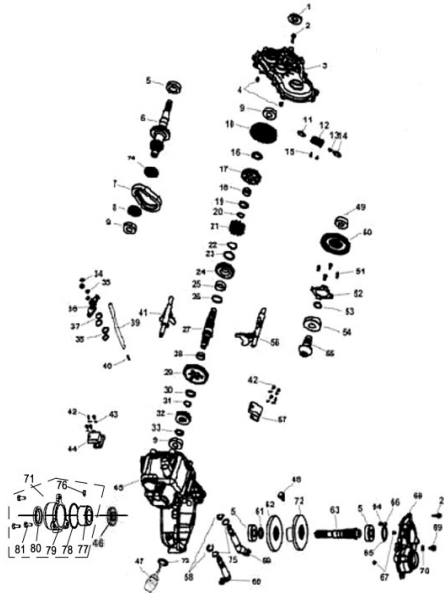
11 TRANSMISSION (FOR 2WD)



REF. No.	PART NO.	DESCRIPTION	Q'TY
1	21201	SEAL 25X47X8	1
2	10060	BOLT M8X28	17
3	21203	MAIN COVER	1
	21203b	MAIN COVER (USE WITH HIGH-POWER CLUTCH)	1
4	21104	DOWEL PIN	2
5	10061	BEARING 6205c3	3
6	21206	INPUT SHAFT 29T	1
	21206a	INPUT SHAFT 27T (FOR AUSTRALIA)	1
	21206b	INPUT SHAFT (USE WITH HIGH-POWER CLUTCH) 29T	1
7	21207	CHAIN	1
8	21208	GEAR 16T	1
9	10062	BEARING 6204	3
10	21210	GEAR, HELICAL 35T	1
11	21211	INTERLOCK PIN	2
12	21212	INTERLOCK BRACKET	1
13	21213	SPRING	1
14	21211	INTERLOCK PIN	1
15	10001	SCREW M5X12	2
16	21216	SPACER	1
17	21217	GEAR 31T	1
	21217a	GEAR 32T (FOR AUSTRALIA)	1
18	21218	NEEDLE BEARING 25	1
19	21219	THRUST WASHER	1
20	10064	SNAP RING	1
21	21221	DOG GEAR	1
22	10065	SNAP RING	1
23	21223	THRUST WASHER	1
24	21224	SPROCKET 24T	1
25	21225	NEEDLE BEARING 25	1
26	21223	THRUST WASHER	1
27	21327	SHAFT	1

12

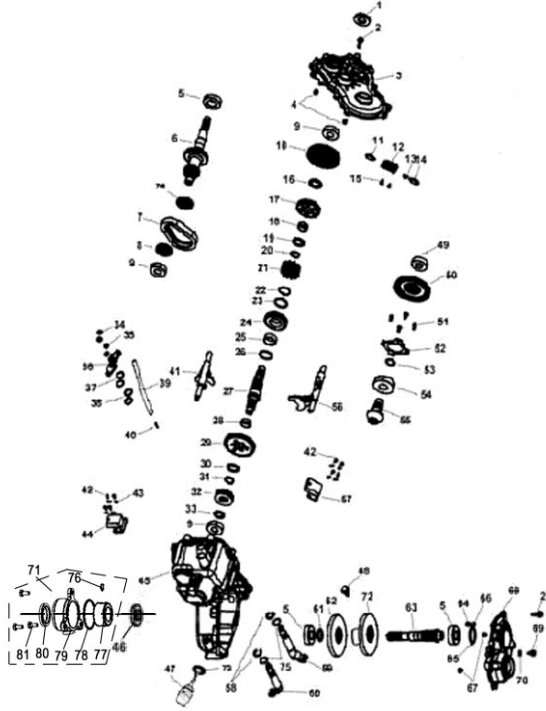
11 TRANSMISSION (FOR 2WD)



REF. No.	PART NO.	DESCRIPTION	Q'TY
28	21218	NEEDLE BEARING 25	1
29	21329	GEAR 35T	1
30	21223	THRUST WASHER	1
31	10064	SNAP RING	1
32	21332	ENGAGEMENT	1
33	21333	THRST WASHER	1
34	10067	NUT M8	2
35	10068	WASHER 8	2
36	21336	BELLCRANK	2
37	10069	SNAP RING	2
38	21338	WASHER	2
39	21339	VENT TUBE	1
40	21340	VENT TUBE FITTING	1
41	21341	SHIFT FORK HIGH/REVERSE	1
42	10007	SCREW M4	8
43	10071	WASHER 4	8
44	21344	GEAR INDICATOR SWITCH	1
45	21345a	GEARCASE,RH	1
	21345b	GEARCASE,RH (USE WITH SPEED SENSOR)	1
46	21201	SEAL 25X47X8	1
47	21475	DIPSTICK	1
48	10219	SCREW	1
49	10063	BEARING 6204C3	1
50	21350	GEAR HELICAL 46T	1
51	10073	SCREW M6X10	4
52	21351	BEARING RETAINER PLATE	1
53	21453	SNAP RING	1
54	10074	BEARING 6305ST	1

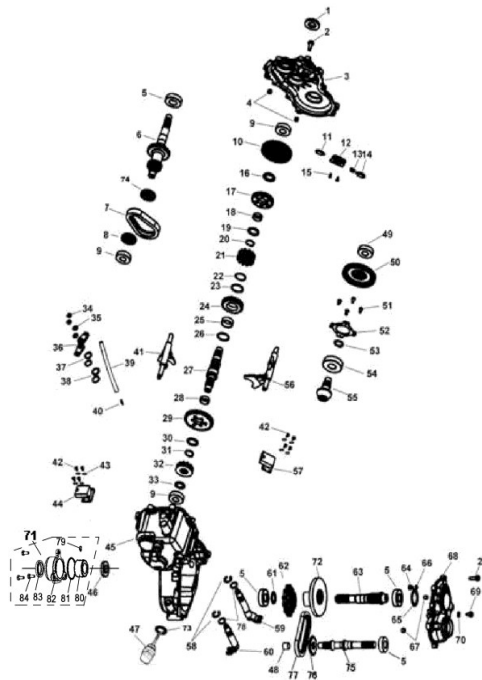
13

11 TRANSMISSION (FOR 2WD)



REF. No.	PART NO.	DESCRIPTION	Q'TY
55	21455	PINION SHAFT 10T	1
56	21456	SHIFT FORK LOW	1
57	21457	GEAR INDICATOR SWITCH	1
58	10075	SNAP RING	2
59	21459	SHIFT ROD LOW	1
60	21460	SHIFT ROD HIGH/REVERSE	1
61	21461	THRUST WASHER	1
62	21462	GEAR	1
63	21463	SHAFT REAR OUTPUT	1
	21463a	SHAFT REAR OUTPUTA (USE WITH SPEED SENSOR)	1
64	21464	THRUST BUTTON	1
65	21465	SHIM 1	1
66	21466	SHIM 2	1
67	21104	DOWEL PIN	1
68	21468	COVER	1
69	21469	DRAIN SCREW	1
70	21470	WASHER	1
71	21484	SPEED SENSOR	1
72	21473	OIL PLATE	1
73	10122	O RING 18X2.65	1
74	21477	SPROCKET	1
75	10123	O RING 14X2.65	4
76		SCREW	1
77		COLLAR	1
78		O RING 50X1.5	1
79		SPEED SENSOR COVER	1
80		SEAL	1
81		BOLT	3

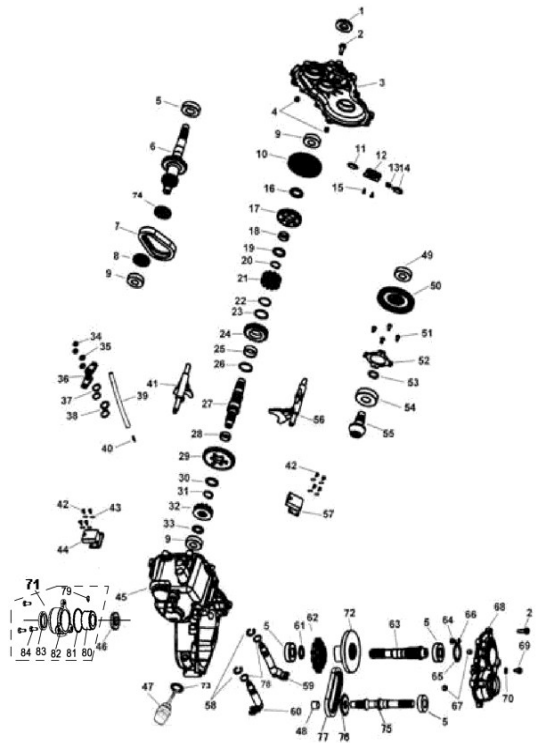
14



REF. No.	PART NO.	DESCRIPTION	Q'TY
1	21201	SEAL 25X47X8	1
2	10060	BOLT M8X28	17
3	21203	MAIN COVER	1
	21203b	MAIN COVER (USE WITH HIGH-POWER CLUTCH)	1
4	21104	DOWEL PIN	2
5	10061	BEARING 6205c3	4
6	21206	INPUT SHAFT	1
	21206a	INPUT SHAFT 27T (FOR AUSTRALIA)	1
	21206b	INPUT SHAFT (USE WITH HIGH-POWER CLUTCH)	1
7	21207	CHAIN	1
8	21208	GEAR 16T	1
9	10062	BEARING 6204	3
10	21210	GEAR,HELICAL 35T	1
11	21211	INTERLOCK PIN	2
12	21212	INTERLOCK BRACKET	1
13	21213	SPRING	1
14	21211	INTERLOCK PIN	1
15	10001	SCREW M5X12	2
16	21216	SPACER	1
17	21217	GEAR 31T	1
	21217a	GEAR 32T (FOR AUSTRALIA)	1
18	21218	NEEDLE BEARING 25	1
19	21219	THRUST WASHER	1
20	10064	SNAP RING	1
21	21221	DOG GEAR	1
22	10065	SNAP RING	1
23	21223	THRUST WASHER	1
24	21224	SPROCKET 24T	1
25	21225	NEEDLE BEARING 25	1
26	21223	THRUST WASHER	1
27	21327	SHAFT	1

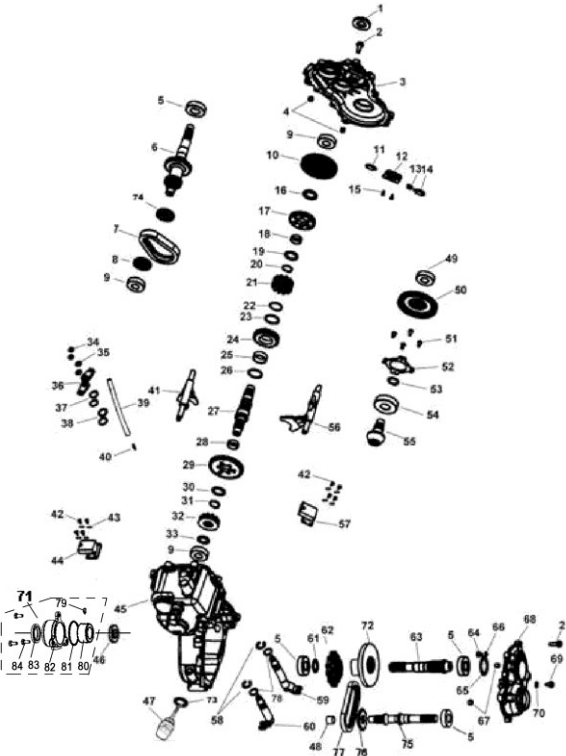
12A

11 TRANSMISSION (FOR 4WD)



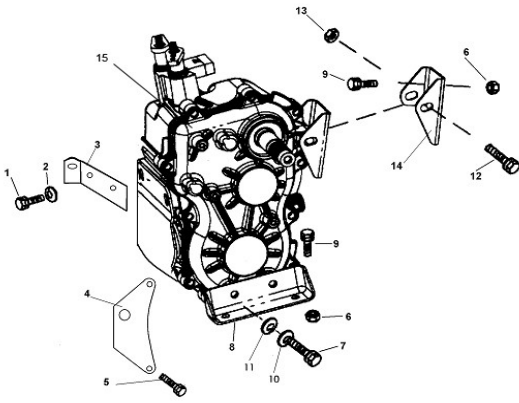
REF. No.	PART NO.	DESCRIPTION	Q'TY
28	21218	NEEDLE BEARING 25	1
29	21329	GEAR 35T	1
30	21223	THRUST WASHER	1
31	10064	SNAP RING	1
32	21332	ENGAGEMENT	1
33	21333	THRST WASHER	1
34	10067	NUT M8	2
35	10068	WASHER 8	2
36	21336	BELLCRANK	2
37	10069	SNAP RING	2
38	21338	WASHER	2
39	21339	VENT TUBE	1
40	21340	VENT TUBE FITTING	1
41	21341	SHIFT FORK HIGH/REVERSE	1
42	10007	SCREW M4	8
43	10071	WASHER 4	8
44	21344	GEAR INDICATOR SWITCH	1
45	21345a	GEARCASE,RH	1
	21345b	GEARCASE,RH (USE WITH SPEED SENSOR)	1
46	21201	SEAL 25X47X8	1
47	21475	DIPSTICK	1
48	10275	BUSHING	1
49	10063	BEARING 6204C3	1
50	21350	GEAR HELICAL 46T	1
51	10073	SCREW M6X10	4
52	21351	BEARING RETAINER PLATE	1
53	21453	SNAP RING	1
54	10074	BEARING 6305ST	1

13A



REF. No.	PART NO.	DESCRIPTION	Q'TY
55	21455	PINION SHAFT 10T	1
56	21456	SHIFT FORK LOW	1
57	21457	GEAR INDICATOR SWITCH	1
58	10075	SNAP RING	2
59	21459	SHIFT ROD LOW	1
60	21460	SHIFT ROD HIGH/REVERSE	1
61	21461	THRUST WASHER	1
62	21483	SPORCKET 12T	1
63	21463	SHAFT REAR OUTPUT	1
	21463a	SHAFT REAR OUTPUTA (USE WITH SPEED SENSOR)	1
64	21464	THRUST BUTTON	1
65	21465	SHIM 1	1
66	21466	SHIM 2	1
67	21104	DOWEL PIN	1
68	21468t	COVER	1
69	21469	DRAIN SCREW	1
70	21470	WASHER	1
71	21484	SPEED SENSOR	1
72	21462	GEAR	1
73	10122	O RING 18X2.65	1
74	21477	SPROCKET	1
75	21480	SHAFT FRONT OUTPUT	1
76	21481	SPORCKET 12T	1
77	21482	CHAIN	1
78	10123	O RING 14X2.65	4
79		SCREW	1
80		COLLAR	1
81		O RING 50X1.5	1
82		SPEED SENSOR COVER	1
83		SEAL	1
84		BOLT	3

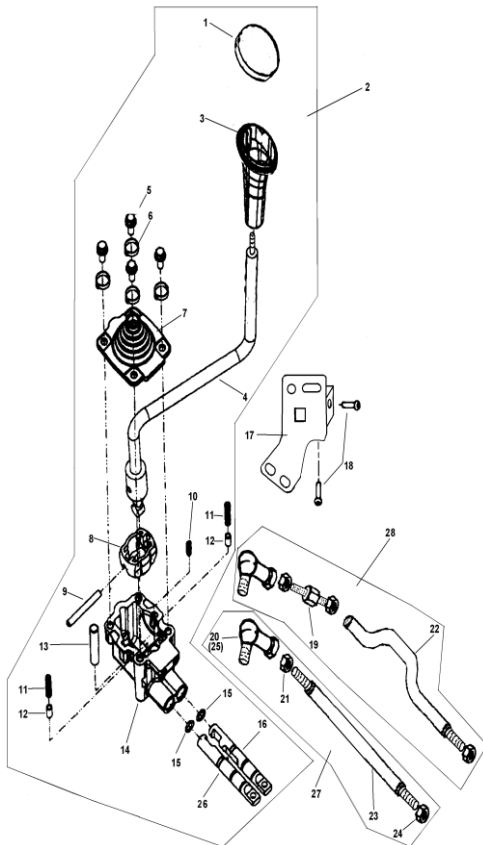
12 SUPPORT BRACKET



REF. No.	PART NO.	DESCRIPTION	Q'TY
1	10076	BOLT M12X20	2
2	10054	WASHER 12	2
3	21503	TRANSMISSION MOUNTING BRACKET RIGHT	1
4	21504	TRANSMISSION MOUNTING BRACKET LEFT	1
5	10078	BOLT M8X30	3
6	10079	NUT M8	3
7	10028	BOLT M10X25	2
8	21508	TRANSMISSION MOUNTING BRACKET BOTTOM	1
9	10081	BOLT M8X20	3
10	10027	WASHER 10	2
11	10019	WASHER	2
12	10084	BOLTM10X1.25X70	1
13	10015	NUT M10	1
14	21514	TRANSMISSION MOUNTING BRACKET REAR	1
15	21515a	TRANSMISSION ASSY(2WD, FOR SPEED SENSOR)	1
	21515b	TRANSMISSION ASSY(2WD)	1
	21515c	TRANSMISSION ASSY(2WD, FOR SPEED SENSOR, FOR HIGH-POWER CLUTCH)	1
	21515d	TRANSMISSION ASSY(2WD, FOR HIGH-POWER CLUTCH)	1
	21515sa	TRANSMISSION ASSY(4WD, FOR SPEED SENSOR)	1
	21515sb	TRANSMISSION ASSY(4WD)	1
	21515sc	TRANSMISSION ASSY(4WD, FOR SPEED SENSOR, FOR HIGH-POWER CLUTCH)	1
	21515sd	TRANSMISSION ASSY(4WD, FOR HIGH-POWER CLUTCH)	1
	21515sl	TRANSMISSION ASSY(FOR 50TH MODEL 4WD SPEED SENSOR AND HIGH-POWER CLUTCH)	1

15

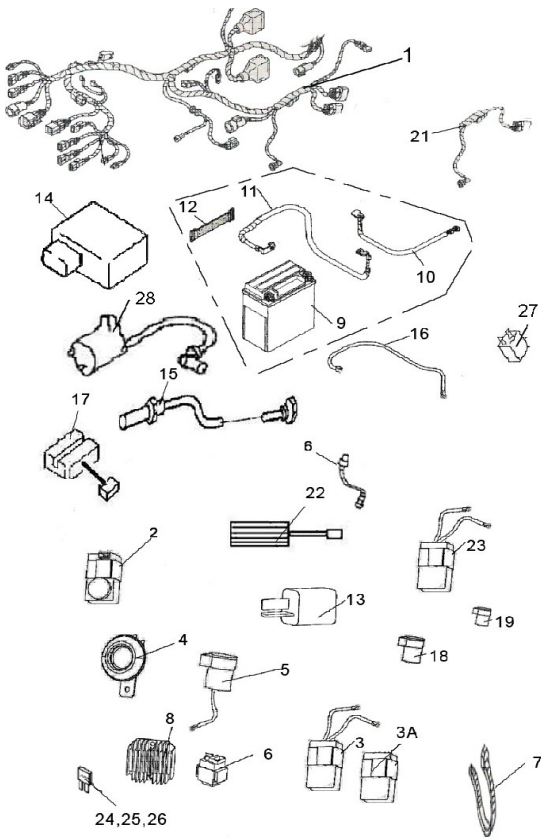
13 SHIFT ROD



REF. No.	PART NO.	DESCRIPTION	Q'TY
1	21601a	LABLE	1
2	21729 b	SHIFTER ASSY MOUNTING	1
3	21603 a	KNOB	1
4	21604 a	SHIFT LEVER	1
5	10086	BOLT M6X12	4
6	10006	WASHER 6	4
7	21607	BOOT	1
8	21608	PLASTIC SPHERE	1
9	21609	GROOVE PIN	1
10	21610	CENTERING SPRING	1
11	21611	DETENT SPRING	2
12	21612	DETENT BULLET	2
13	21613	DOWEL PIN	1
14	21614	SHIFTER HOUSING	1
15	21615	O-RING	2
16	21616	SELECTOR SLIDES HIGH/REVERSE	2
17	21617a	SHIFTER MOUNTING BRACKET	1
18	10010	BOLT M6X15	4
19	21619	SHIFT ROD COUPLER	1
20	21620	SHIFT ROD END CW	2
21	10090	JAM NUT M6 CW	3
22	21622	SHIFT ROD HIGH/REVERSE	1
23	21623	SHIFT ROD LOW	1
24	21624	JAM NUT M6 CCW	2
25	21625	SHIFT ROD END CCW	2
26	21626	SELECTOR SLIDES LOW	1
27	21727	SHIFTER MOUNTING ROD A	1
28	21728	SHIFTER MOUNTING ROD B	1

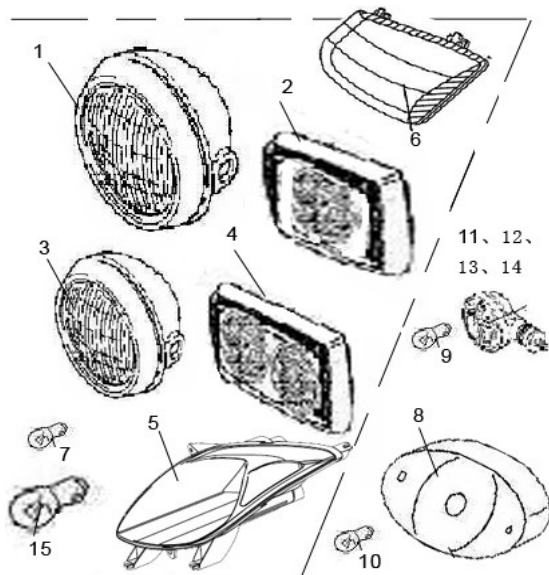
16

16 ELECTRICAL SYSTEM



REF. No.	PART NO.	DESCRIPTION	Q'TY
1	32011	WIRING HARNESS(FOR 04 and 05 MODEL 2WD)	1
	32011t	WIRING HARNESS(FOR 04 and 05 MODEL 4WD)	1
	32011a	WIRING HARNESS (FOR 50TH AND MECHANICAL METER)	1
	32011y	WIRING HARNESS (FOR 50TH AND LCD)	1
		WIRING HARNESS (FOR SPORTS MODEL 4WD)	1
		WIRING HARNESS (FOR SPORTS MODEL 2WD)	1
2	32038	REVERSE GEAR WARNING (FOR 4WD)	1
3		REVERSE SPEED LIMITER (FOR 05 MODEL	1
	22002a	REVERSE SPEED LIMITER (FOR 50TH MODEL)	1
		REVERSE SPEED LIMITER (FOR 04 MODEL)	1
3A		REVERSE SPEED LIMITER (FOR 04 MODEL)	1
4	32029	HORN	1
5	32028	FLASHER RELAY ASSY	1
6	22004	STARTER RELAY	1
7		TIE	20
8	22007	REGULATOR RECTIFIER	1
9	22005	BATTERY(BATTERY COVER IS ON PAGE 3)	1
10	32003	BATTERY CABLE POSITIVE	1
11	32006	BATTERY CABLE GROUND	1
12	22018	BATTERY BELL	1
13	32021	CAPCITOR	1
14	22001	CDI	1
15	32020	GEAR SENSOR(FOR 05 AND BEFORE MODEL)	1
16		GEAR SENSOR HARNESS (FOR 05 AND BEFORE MODEL)	1
17	32044	RESISTANCE	1
18		RUBBER SHEATH 1	
19		RUBBER SHEATH 2	
21		DISPLAY HARNESS	1
22	42519	FREEZE PROOF DEVICE	1
23	22008	WARNING BUZZER (NOT FOR 30101G)	1
24	22019	7.5 AMP FUSE	1
25	22020	15 AMP FUSE	2
26	22021	3 AMP FUSE	1
27	32021	CAPCITOR	1
28	22012	IGNITON COIL AND WIRE	1

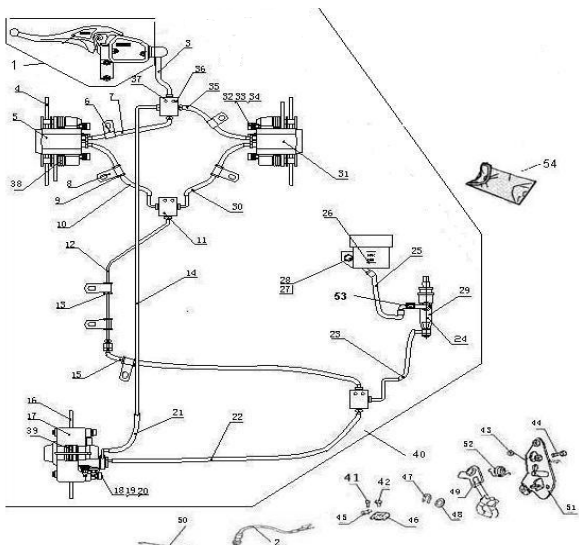
16 ELECTRICAL SYSTEM-LIGHT



REF. No.	PART NO.	DESCRIPTION	Q'TY
1	32009	HEADLIGHT ASSEMBLY (FOR 04 MODEL ROUND SHAPE)	2
2		HEADLIGHT ASSEMBLY (FOR 04 MODEL SQUARE SHAPE)	2
3	32009b	HEADLIGHT ASSEMBLY (FOR 05 MODEL)	2
4	32040	POSITION LIGHT (FOR 05 MODEL) (ACCESSARY)	1
5	22353	LEFT HEADLIGHT (FOR 50TH MODEL)	1
	22314	RIGHT HEADLIGHT (FOR 50TH MODEL)	1
6	60101	HEADLIGHT ASSEMBLY (FOR SPORT MODEL)	1
7	32046	BULB,POSITION LIGHT	2
8	22010	TAIL LIGHT	1
	22010a	TAIL LIGHT(FOR 50TH MODEL)	1
9	32045	BULB , TURN INDICATOR 12V 10W	4
10	22017	TAIL LIGHT BULB ONLY	1
11	32019	FRONT TURN INDICATOR RIGHT (04 MODEL SPORTS	1
		FRONT TURN INDICATOR RIGHT (05 MODEL)	1
	32019s	FRONT TURN INDICATOR RIGHT (SPORT MODEL ONLY AND SET WITH 8EE0200003a)	1
12		FRONT TURN INDICATOR LEFT (04 MODEL SPORTS MODEL AND 50TH)	1
		FRONT TURN INDICATOR LEFT (05 MODEL)	1
		FRONT TURN INDICATOR LEFT (SPORT MODEL ONLY AND SET WITH 8EE0200004a)	1
13		REAR TURN INDICATOR RIGHT	1
		REAR TURN INDICATOR RIGHT (FOR 50TH ONLY)	1
14		REAR TURN INDICATOR LEFT	1
		REAR TURN INDICATOR RIGHT (FOR 50TH ONLY)	1
15	32047	BULB,HEADLIGHT S2 SHAPE	2
	22371	BULB,HEADLIGHT HS SHAPE(ONLY FOR 50TH MODEL HEADLIGHT)	2

17 BRAKING SYSTEM (FOR EUROPE 04)

NOTE :
THERE ARE TWO FACTORY CODE ON THE REVERSE SIDE OF THE HANDLE LEVER, WHEN YOU ORDER

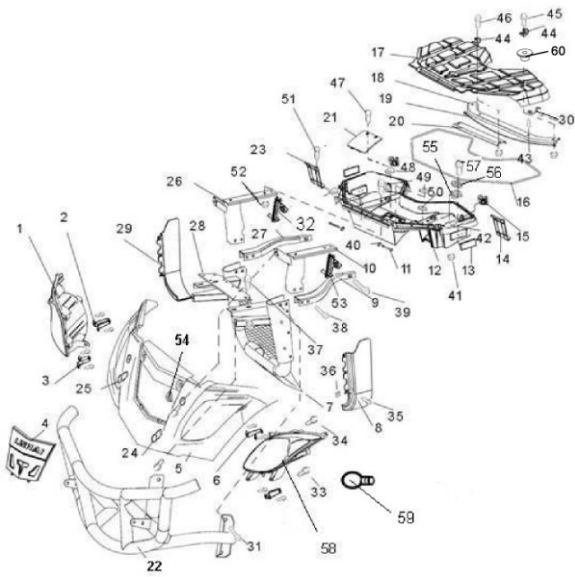


20

REF. No.	PART NO.	DESCRIPTION	Q'TY
1	32111	MASTER CYLINDER WITH BRAKE LEVER(SEE THE DETAIL ON P21(5))	1
2	22243	STORP SWITCH FRONT	1
3	22102	HAND BRAKE HOSE	1
4	22226	FRONT BRAKE DISC	2
5	32205a	BRAKE CALIPER LEFT(SEE THE DETAIL ON P21(3))	1
6	22248	CLAMP	2
7	22229	FRONT BRAKE HOSE 2	1
8	32104	CLAMP	5
9	32105	RUBBER TUBE1	3
10	32103	FRONT BRAKE HOSE1	1
11	32107	BRAKE LINE COUPLER	2
12	32108	TUB DISKBRAKE FRONT	1
13	32109	RUBBER TUBE2	2
14	22103	REAR BRAKE HOSE	1
15	32114	FRONT BRAKE HOSE	1
16	22247	REAR DISC BRAKE	1
17	22105	REAR BRAKE CALIPER(SEE THE DETAIL ON P21(2))	1
18	10102	BOLT M10X1.25X83	2
19	10015	NUT M10X1.25	2
20	10019	WASHER 10	2
21	32120	REAR BRAKE HOSE 2	1
22	32121	REAR BRAKE HOSE 3	1
23	32122F	FOOT BRAKE HOSE	1
24	32123	REAR BRAKE CYLINDER(SEE THE DETAIL ON P21(1))	1
25	32125	RESERVOIR HOSE	1
26	32226a	RESERVOIR	1
27	10109	NUT M5	1

21

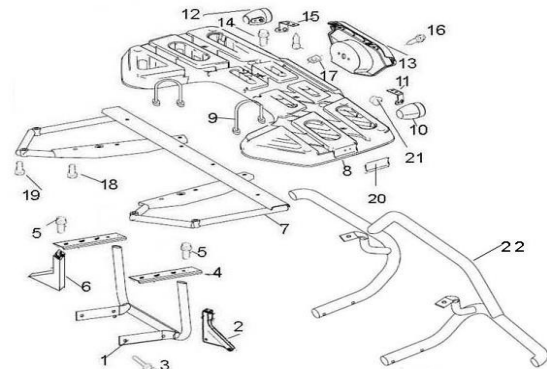
18 FRONT BUMPER & RACK (FOR 50th)



REF. No.	PART NO.	DESCRIPTION	Q'TY
1	22314	RIGHT HEADLIGHT	1
2	22315	HEADLIGHT BRACKET 3	2
3	22316	HEADLIGHT BRACKET 1	1
4	22317	FRONT COVER	1
5	22318	PLASTIC BUMPER	1
6	22319	HEADLIGHT BRACKET 2	1
7	22367	BUMPER DOWN BRACKET	1
8	22330	RADIATOR LEFT COVER	1
9	22345	LEFT BRACKET 1	1
10	22368	LEFT BRACKET 2	1
11	22327	AXLE	2
12	22328	BOX	1
13	22320	FRONT REFLECTOR	2
14	22329	HEADLIGHT ADJUSTMENT COVER (LEFT)	1
15	22369	BOX LOCK	1
16	22331	SEAL	1
17	22332	BOX COVER	1
18	22333	BOX COVER BRACKET 1	1
19	22334	BOX COVER LINE	1
20	22335	BOX COVER BRACKET 2	1
21	22336	SERVICE COVER	1
22	22337	FRONT BUMPER	1
23	22338	HEADLIGHT ADJUSTMENT COVER (RIGHT)	1
24	22339	LEFT COVER	1
25	22340	RIGHT COVER	1
26	22341	RIGHT BRACKET 2	1
27	22342	RIGHT BRACKET 1	1
28	22322	CONNECTION BRACKET	1
29	22343	RADIATOR RIGHT COVER	1
30	22344	LOCK HOOK	1
31	10081	BOLT M8X20	4
32	22312w	TRESTLE 2 RIGHT	1
33	10183	BOLT M6X16	4
34	10110	BOLT M6X20	2
35	10009	SCREW ST4.8X16	6
36	22346	SCREW,TAPPING	6
37	10110	BOLT M6X20	4
38	10419	BOLT M8X66	4
39	10118	BOLT M8X95	2
40	10418	SNAP RING 5	2
41	10109	NUT M5	2
42	10155	BOLT M6X10	2
43	10009	SCREW ST4.8X16	4
44	22347	HOOK	6
45	10420	SCREW M6X16	4
46	10420	SCREW M6X16	2
47	10009	SCREW ST4.8X16	2
48	22348	SCREW,TAPPING	2
49	10059	BOLT M8X25	2
50	22349	RUBBER STOPPER	2
51	10009	SCREW ST4.8X16	2
52	10079	NUT M8	2
53	22306w	TRESTLE 2 LEFT	1
54	22351	RUBBER SPACER 1	2
55	22352	RUBBER SPACER 2	2
56	10421	WASHER 5	2
57	10395	BOLT M5X25	2
58	22353	LEFT HEADLIGHT	1
59	22371	HEAD LIGHT BULB ONLY	2
60		RUBBER SHEATH	6

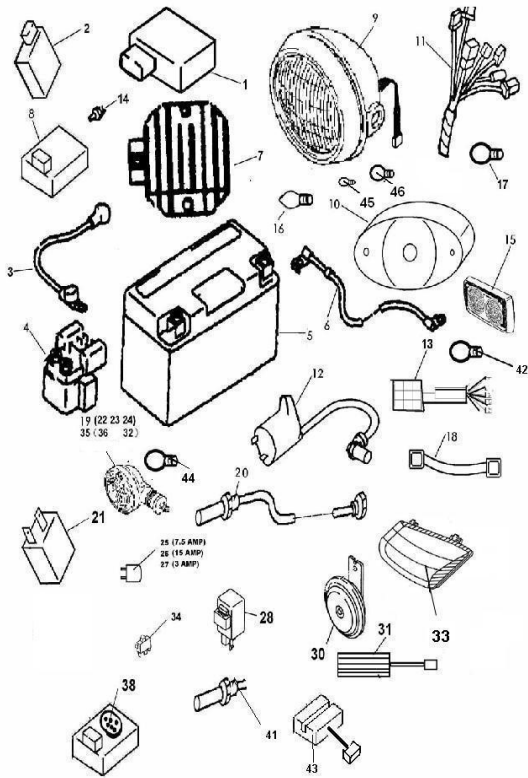
23C

18 REAR RACK (FOR 50TH)



REF. No.	PART NO.	DESCRIPTION	Q'TY
1	22354	REAR RACK BRACKET 1	1
2	22355	TRESTLE 3 LEFT	1
3	10055	BOLT M8X45	4
4	22356	REAR RACK BRACKET 2	2
5	10078	BOLT M8X30	4
6	22357	TRESTLE 3 RIGHT	1
7	22358	REAR RACK BRACKET 3	1
8	22359	REAR RACK	1
9	22360	REAR ARMGUARD	2
10	22361	REAR TURN LIGHT(LEFT)	1
11	22362	LEFT REAR TURN LIGHT BRACKET	1
12	22363	REAR TURN LIGHT(RIGHT)	1
13	22364	TAIL LIGHT COVER	1
14	10059	BOLT M8X25	10
15	22365	RIGHT REAR TURN LIGHT	1
16	10009	SCREW ST4.8X16	4
17	22366	SCREW,TAPPING	4
18	10055	BOLT M8X45	2
19	10119	BOLT M8X68	2
20	22321	REAR REFLECTOR	2
21	10109	NUT M5	1
22	22370	REAR BUMPER(OPTIONAL ACCESSORY)	1

23D



REF. No.	PART NO.	DESCRIPTION	Q'TY
1	22001	CDI	1
2	22002	REVERSE SPEED LIMITER (NOT FOR 30101G)	1
	22002a	REVERSE SPEED LIMITER (FOR LCD)	1
3	32003	BATTERY CABLE POSITIVE	1
4	22004	STARTER RELAY	1
5	22005	BATTERY	1
6	32006	BATTERY CABLE GROUND	1
7	22007	REGULATOR RECTIFIER	1
8	22008	WARNING BUZZER (NOT FOR 30101G)	1
9	32009b	HEADLIGHT ASSEMBLY (FOR 05 MODEL)	2
	32009	HEADLIGHT ASSEMBLY (FOR 04 MODEL)	2
10	22010	TAIL LIGHT	1
	22010a	TAIL LIGHT(FOR 50TH MODEL)	1
11	32011	WIRING HARNESS(FOR 04 and 05 MODEL 2WD)	1
	32011t	WIRING HARNESS(FOR 04 and 05 MODEL 4WD)	1
	32011a	WIRING HARNESS (FOR 50TH AND MECHANICAL METER)	1
	32011y	WIRING HARNESS (FOR 50TH AND LCD)	1
		WIRING HARNESS (FOR SPORTS MODEL 4WD)	1
		WIRING HARNESS (FOR SPORTS MODEL 2WD)	1
12	22012	IGNITON COIL AND WIRE	1
13	32013	INDIATOR LIGHT WIRING HARNESS (BEFORE 04 MODEL)	1
14	22014	ENGINE TEMPURTE SENSOR	1
15	32040	POSITION LIGHT BULB ONLY 12V 5W	1
16	32016	HEAD LIGHT BULB ONLY	2
17	22017	TAIL LIGHT BULB ONLY	1
18	22018	BATTERY BELL	1
20	32020	GEAR SENSOR(FOR 05 AND BEFORE MODEL)	1
21	32021	CAPCITOR	1
22	32022f	FRONT TURN INDICATOR LEFT(FOR 05)	1
23	32023f	REAR TURN INDICATOR RIGHT(FOR 05)	1
24	32024f	REAR TURN INDICATOR LEFT(FOR 05)	1
25	22019	7.5 AMP FUSE	1
26	22020	15 AMP FUSE	2
27	22021	3 AMP FUSE	1
28	32028	FLASHER RELAY ASSY	1
30	32029	HORN	1
31	42519	FREEZE PROOF DEVICE	1
32	32024	REAR TURN INDICATOR RIGHT (04 MODEL SPORTS MODEL AND 50TH)	1
	32024s	REAR TURN INDICATOR LEFT (04 MODEL SPORTS MODEL AND 50TH)	1
33	60101	HEADLIGHT ASSEMBLY (FOR SPORT)	1
34	32030	HAZARD LIGHT SWITCH (ONLY FOR 04)	1
35	32019	FRONT TURN INDICATOR RIGHT (04 MODEL SPORTS MODEL AND 50TH)	1
	32019s	FRONT TURN INDICATOR RIGHT (SPORT MODEL ONLY)	1
36	32022	FRONT TURN INDICATOR LEFT (04 MODEL SPORTS MODEL AND 50TH)	1
	32022s	FRONT TURN INDICATOR LEFT (SPORT MODEL ONLY)	1
38	32038	REVERSE GEAR WARNING (FOR 4WD)	1
41	32042	BRAKE SWITCH	1
42	32043	POSITION LIGHT BULB ONLY 12V 5W	2
43	32044	RESISTANCE	1
44	32045	BULB , TURN INDICATOR 12V 10W	4
45	32046	BULB,POSITION LIGHT (FOR 05)	2
46	32047	BULB,HEADLIGHT (FOR 05)	2